

X33 Series

Simply Safeguarding Businesses



The X33 X-ray Inspection System is a single lane solution designed for the inspection of small and medium sized packaged products. It is easy to use and offers high detection capabilities, safeguarding brands and consumers, while its low energy consumption reduces the Total Cost of Ownership (TCO).

Software Facilitates Operator Control

Proprietary X33 software enables operators to effortlessly program semi-automated product set-ups with minimal training required, ensuring production uptime.

Maximizes Production Space Efficiency

Available as 800mm or 1800mm system lengths, the X33 requires less line space than other systems making it ideal when production space is limited.

Sustainable Low Energy Solution

Powered by a 20W generator, the X33 is a low energy inspection solution delivering, reduced TCO.

Cooling Solution Saves Operational Costs

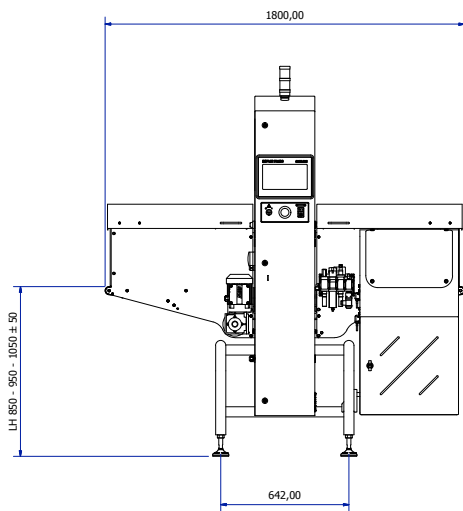
An internal fan instead of an external air conditioning unit cools the X33, reducing maintenance time and TCO.

Optimum Detection at Reduced Power

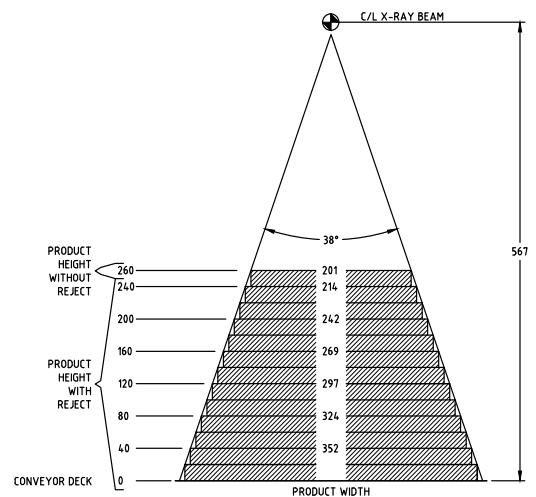
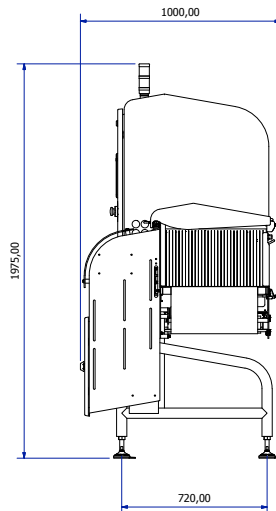
The X33 uses only 1/5th of the power needed by traditional x-ray systems to achieve high levels of reliable detection sensitivity while reducing TCO.

5 Year Generator Warranty

All x-ray generators come with a 5-year warranty, when a service contract is purchased with the x-ray system, offering full protection of the most expensive part of the x-ray machine.



X33 Series - 1800mm long option



X33 beam diagram with 400mm scan width

Specification Table

Feature	Specifications
Conveyor Speed	Typical line speeds 10-60 m/min (dependent on product dimensions)
Lane Configurations	Single lane applications
Throughput Rate	Typical throughput rates of up to 300 products per minute (dependent on product dimensions)
Maximum Product Height	240mm with a reject, 260mm without a reject, 200mm for short version machine (length 800mm, 1100mm)
X-ray Detector	300 or 400mm, 0.8mm diode size
X-ray Generator	20W, 84kV, 0.25mA Glass or optional Beryllium tube
X-ray Beams	Single vertical beam
X-ray Emissions	< 1uSv/hr
X-ray Protections	Fully contained emissions within construction, lightweight lead-free blue curtains at tunnel apertures
Cooling Method	Passive fan assisted internal cooling. No external cooling required
Operating Humidity	up to 90% RH
Operating Temperature	5 - 40°C
Power Supply	208 - 240 Vac, 1 phase, 50-60Hz, 6A max 100 - 120 Vac, 1 phase, 50-60Hz, 10A max
Pneumatic Supply	6 Bar(g) clean air supply required for air operated reject system
Casing Material	304 stainless steel
Finish	180-240 Grit Brushed on main components
Ingress Protection	IP65 as standard. IP69 as an optional upgrade
Operating Height	750mm, 850mm, 950mm, 1050mm or 1150mm (+/- 50mm)
System Conveyor	FDA and EU food use approved TPU conveyor belt, 0.37kW motor unit, 36mm diameter end rollers
System Length	800mm, 1100mm, 1300mm, 1800mm or 2000mm options
Screen Display	10.1" LED Touchscreen display (16:9 aspect ratio)
Reject Type	Pusher, airblast, lift flap or retracting belt options
Reject Collection	Lockable bin, lockable tray, lockable roller tray, reject blanking plate, gravity fed roller track
Operating System	Microsoft Windows
Connectivity Options	Ethernet connection available
Traceability Options	Full event log tracks changes of parameters, users and products
Guide Rails	Optional infeed or full length guide rails up to reject station. 10mm round bar style, 5mm flat face bar, or side roller
UL Approved	Yes

Mettler-Toledo Group

Product Inspection Division
Local contact: www.mt.com/contacts

www.mt.com/safeline-xray

For more information



Subject to technical changes
© 10/2019 METTLER TOLEDO. All rights reserved
PI-XR-DS-EN-032018

