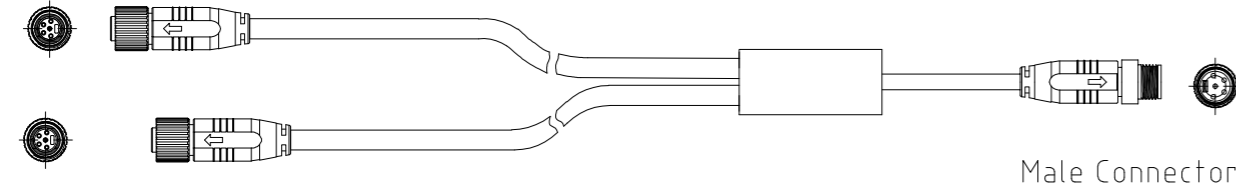
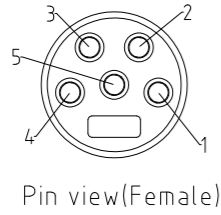


Load Cell Y-Cable

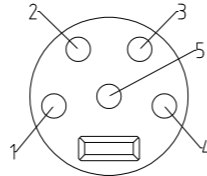
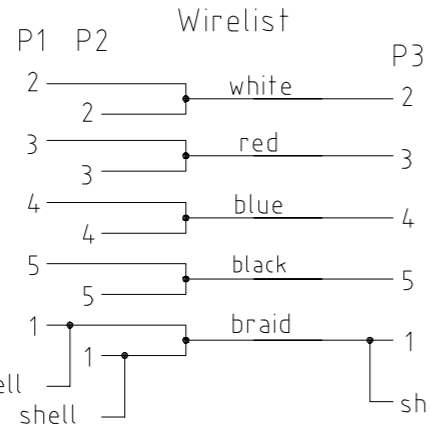


Female Connector

Male Connector



Pin view(Female)

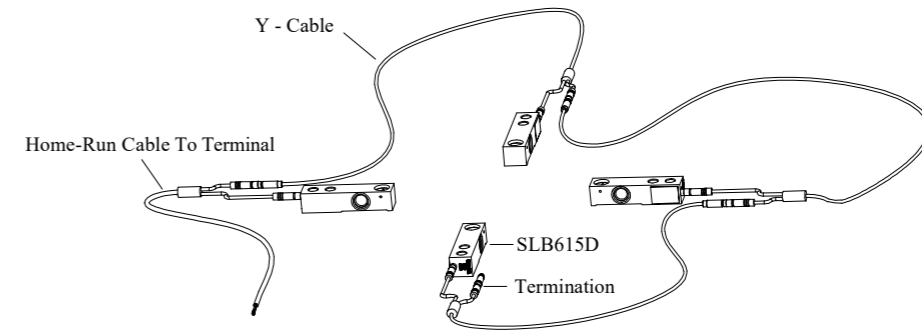


Pin view(Male)

Pay attention to the indexing of the connectors.

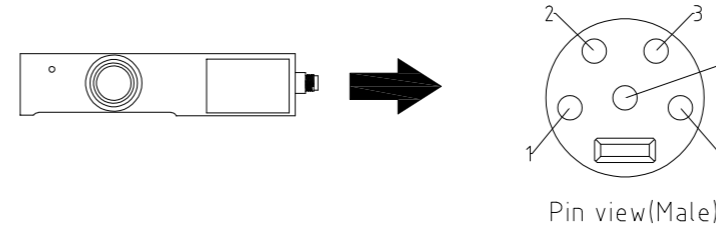
Pin #	Function
1	CGND
2	Communication CAN H
3	Supply Voltage
4	Communication CAN L
5	GND

Typical System with 4 Load Cells, 3 x Load Cell Cable, and 1x Home-Run cable



Last Y-cable connector needs to be connected to a termination.

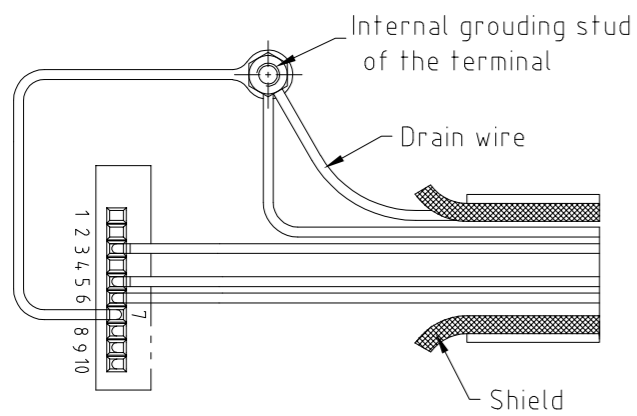
SLB615D Load Cell Connection



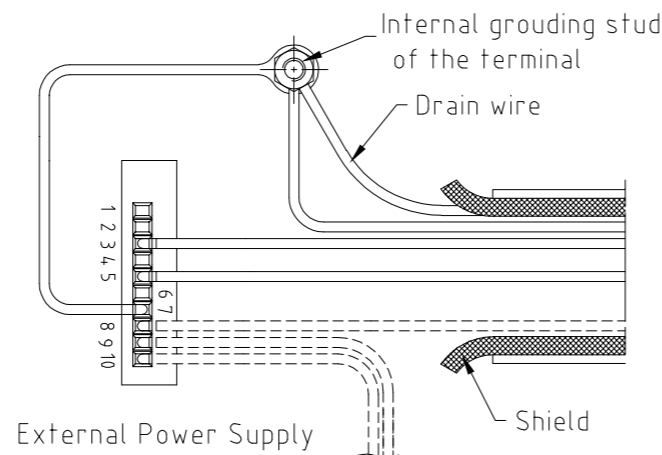
Pin view(Male)

Pin #	Function
1	CGND
2	Communication CAN H
3	Supply Voltage (25V max)
4	Communication CAN L
5	GND

Home-Run Cable to IND780 PDX® Connection with max. 9 Load Cells, or in Hazardous Area



Home-Run Cable to IND780 PDX® Connection with max. 16 Load Cells, not for Hazardous Area



Connector position	Wire Colour	Function
1	-----	-----
2	-----	-----
3	White	CAN_H
4	-----	-----
5	Blue	CAN_L
6	Red	12V_Out
7	Black	GND(Home run)
8	Red	24V_Out
9	Red	24V_In
10	Black	GND(Terminal)

Note:

- In hazardous area (Zone 2/22 or Div. 2), IND780 PDX can connect max. 9 load cells, connect the power supply of the home-run cable to connector strip 6 (12V_out). In hazardous area, please follow the control drawing 30095702 & 30095703.
- Connector strips 8, 9, 10 are only used with max. 16 load cells not for hazardous area.

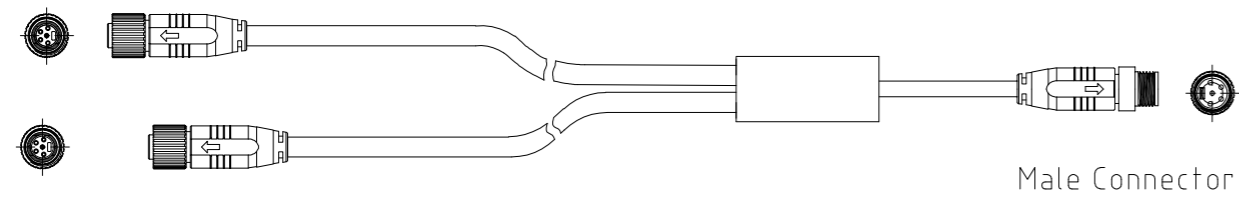
版本/VER	更改号/ER, ECN NO.	更改人/BY	日期/DATE	图样阶段/STAGE	SP	重量/WGT	比例/SCALE
设计/DRN	Xu Yujun	批准/APPD		S	A		1:11
审核/CHECK	Zhang Ping	认证/AGEN		SHEET: 第 1 页 of 共 2 页			
工艺/MFG		日期/DATE	2018/10/30				

METTLER TOLEDO
MTCN / MTCZ

SLB615D Connection Guide

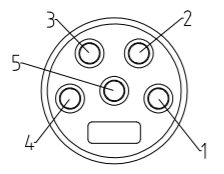
30131936E

Load Cell Y-Cable

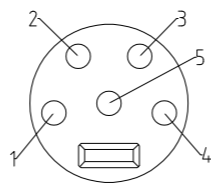
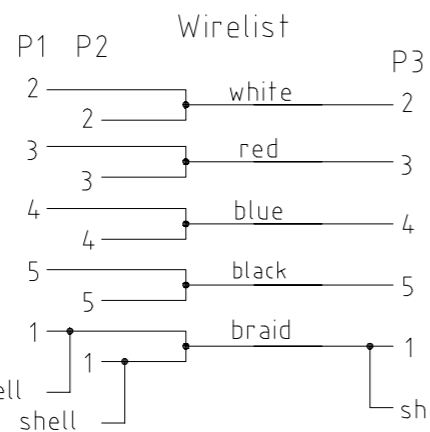


Female Connector

Male Connector



Pin view(Female)



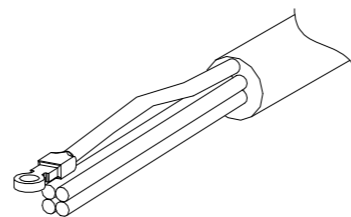
Pin view(Male)

Pin #	Function
1	CGND
2	Communication CAN H
3	Supply Voltage
4	Communication CAN L
5	GND

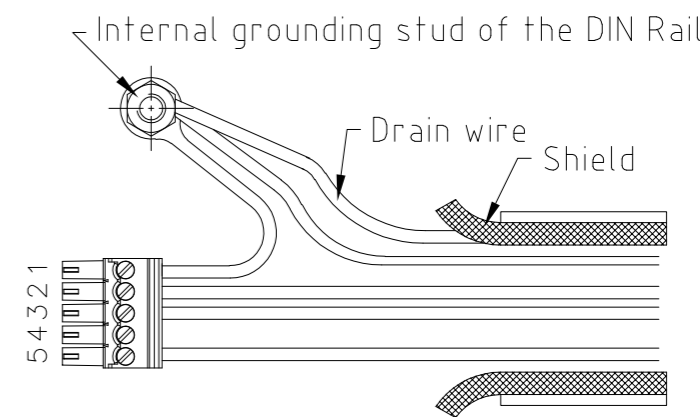
Pay attention to the indexing of the connectors.

Home-Run Cable ACT350xx POWERCELL® Connection(Maximum 4 Load Cells)

The cable connecting load cells to a terminal has 5 wires: Can_L, Can_H, Supply Voltage, Gnd and shield.

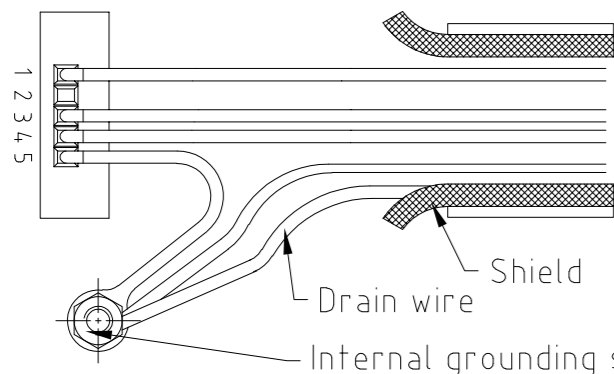
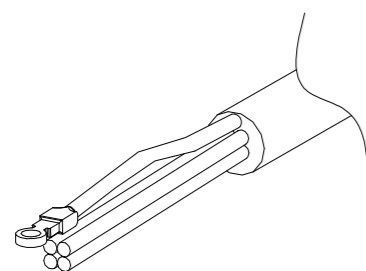


Connector position	Wire Colour	Function
1	Black	GND
2	Red	12V_Out
3	Blue	CAN_L
4	-----	-----
5	White	CAN_H



Home-Run Cable IND570 PowerCell® Connection(Maximum 14 Load Cells)

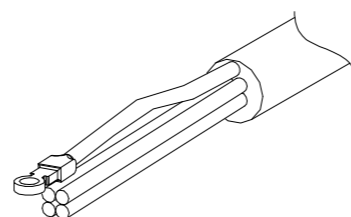
The cable connecting load cells to a terminal has 5 wires: Can_L, Can_H, Supply Voltage, Gnd and shield.



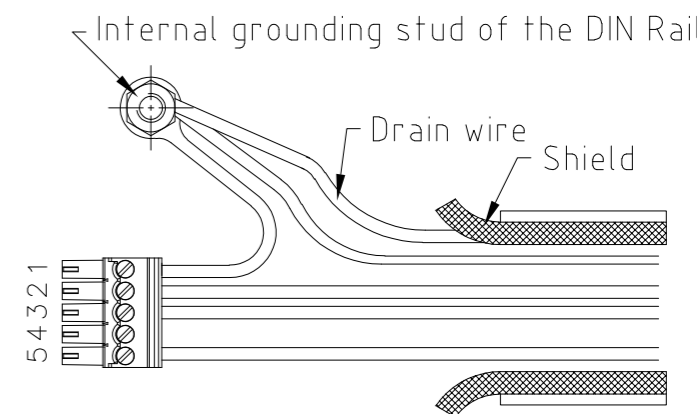
Connector position	Wire Colour	Function
1	White	CAN_H
2	-----	-----
3	Blue	CAN_L
4	Red	24V_Out
5	Black	GND

Home-Run Cable ACT350POWERCELL® Connection(Maximum 14 Load Cells)

The cable connecting load cells to a terminal has 5 wires: Can_L, Can_H, Supply Voltage, Gnd and shield.



Connector position	Wire Colour	Function
1	Black	GND
2	Red	24V_Out
3	Blue	CAN_L
4	-----	-----
5	White	CAN_H



METTLER TOLEDO
MTCN / MTCZ

SLB615D Connection Guide

30131936E

版本/VER	更改号/ER,ECN.NO.	更改人/BY	日期/DATE	图样阶段/STAGE	SP	重量/WGT	比例/SCALE
设计/DRN	Xu Yujun	批准/APPD		S	A		1:11
审核/CHECK	Zhang Ping	认证/AGEN					
工艺/MFG		日期/DATE	2018/10/30	SHEET: 第 2 页 of 共 2 页			