

# Small Footprint Enhanced Labeling Processes



### Easy to Use

With its intuitive touchscreen, the 840 Manual Label Printer guides employees quickly through the labeling process, reducing operator training time. More experienced operators can enter PLUs using the tactile numeric keypad for even faster results.



### Fewer Label Roll Changes

Thanks to its large, 9 in. label roll capacity, the 840 Manual Label Printer requires fewer roll changes and achieves superior operational uptime. The easy-access, front-loading drawer allows roll changes to be completed quickly.



### High-Performance Printer

Achieving a print speed of up to 150 mm/s, the 840 Manual Label Printer provides high-volume, weight-independent price labeling applications – whether in grocery backrooms or bakeries – for priced-by-count or by-weight items.



### Streamlined Data Management

Round-the-clock access to real-time product and sales data is essential to manage fresh food items profitably. The 840 Manual Label Printer connects easily to the grocery retailer's ERP system to enhance its fresh food management – both in terms of tracking and traceability as well as back office connectivity.



## 840 Manual Label Printer Manual Weigh Price Labeler

The METTLER TOLEDO 840 Manual Label Printer is the ideal choice for grocery retailers who want to equip the backroom or bakery with a powerful label printer for price-by-weight and/or by-count packaged items. The 840 Data Management Software synchronizes with other METTLER TOLEDO 800 Series equipment, ensuring uniformity and conformity of all the data supplied to any system in the METTLER TOLEDO 800 Series. Integrate the 840 Manual Label Printer with the METTLER TOLEDO Step-Saver Hand Wrapping Station for an excellent alternate system to support larger items up to 60 lb.

- **Large label roll – longer production runs, higher operational uptime**
- **Easy to use – reducing operator training time**
- **Fast label printing – suitable for high-volume label printing**
- **Eye-catching labels – high-quality printing with custom graphics**

### The Ideal Choice for Manual Label Printing Applications

The high-performance 840 Manual Label Printer was designed for retailers with high-throughput price-by-weight and/or by-count packaged items. Robust, intuitive and efficient, the 840 supports weighing and labeling for optimized packaging processes.



#### Technical data

### 840 Manual Label Printer

#### Applications

Manual label printing for price-by-weight or by-count items (scale included)  
Manual weighing, wrapping\* and labeling  
Dual mode: Two label printers can operate with one scale

#### Print Speed

150 mm/s

#### Label Printer

Direct thermal print head

#### Weighing Platter

Stainless steel

#### Weighing Capacity

60 lb.

#### Operating Range

23°F–104°F (-5°C–45°C)

#### PLU Presets

300

#### Label Sizes

1"–8" length  
1.5"–3" width  
9" label roll capacity

#### Electrical

240 VAC, single phase  
50–60 Hz, 4 A

#### RAM

34 MB

#### Controller

800 Series Controller  
Embedded Linux OS  
Compact Flash Memory

#### Network Interface

Wired ethernet  
Wireless upgrade available

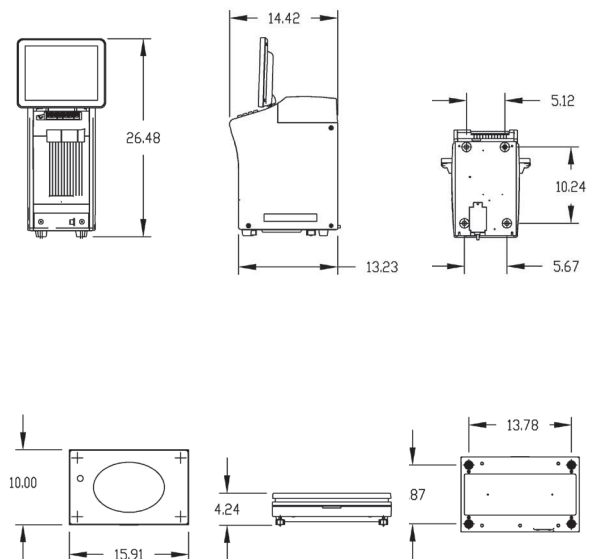
#### Display/Keyboard

Adjustable 10.4" color LCD touchscreen  
Tactile keypad

\* requires hand wrap station

For tray and film specifications associated to use with manual wrap station, please see Step-Saver Hand Wrapping Station specifications.

#### Dimensions in inches



[www.mt.com/retail](http://www.mt.com/retail)

For more information



#### METTLER TOLEDO Group

Retail Division  
Local contact: [www.mt.com/contacts](http://www.mt.com/contacts)

Subject to technical modifications  
© 06/2020 METTLER TOLEDO. All rights reserved  
Document No. RDB024.2E  
MarCom Industrial

