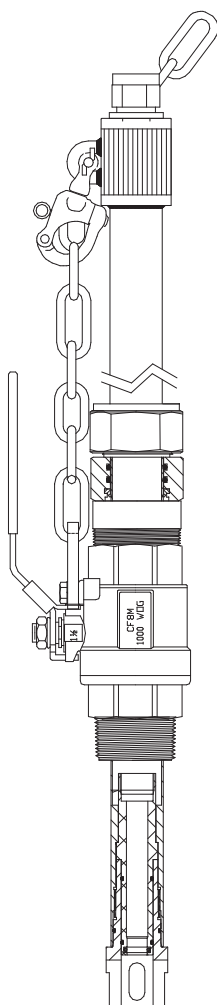


METTLER TOLEDO

InTrac® 787

**Instruction manual
Betriebsanleitung
Instructions d'utilisation**



In Trac 787-01-CH
52 402 481

English

Page 3

Deutsch

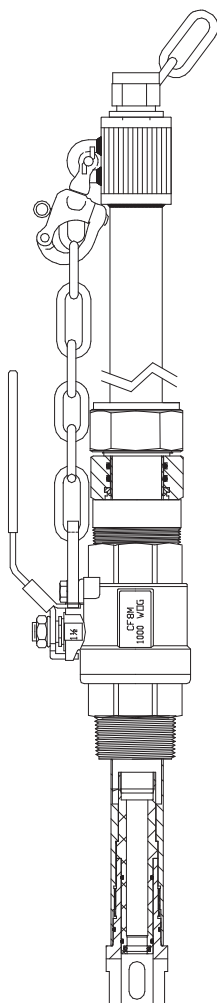
Seite 19

Français

Page 35

InTrac® 787

Instruction manual



Contents

1	Introduction	5
2	Important remarks	6
2.1	Checking the shipment	6
2.2	Notes on operating instructions	6
2.3	Normal use	7
2.4	Safety instructions	7
3	Description of function	9
4	Installation/Startup and shutdown	10
4.1	Preparation of the equipment.....	11
4.2	Fitting and installation works.....	11
4.2.1	Attaching the flushing lines	11
4.2.2	Fitting the electrode/sensor	12
4.4	Startup procedure.....	12
4.5	Shutdown procedure	12
5	Maintenance	13
5.1	Important information on maintenance	13
5.2	Replacing seals in contact with the process medium.....	13
6	Trouble-shooting	14
7	Product specifications	15
7.1	Standard equipment	15
7.2	Technical data	15
7.3	Spare parts list	16

1 Introduction

This operating instructions contains all the information needed for safe and proper use of the retractable housings **InTrac® 787**.

The operating instructions are intended for personnel entrusted with the operation and maintenance of the retractable housings. It is assumed that these persons are familiar with the equipment in which the retractable housing is installed.



Construction of the retractable housings employs leading-edge technology and complies with safety regulations currently in force (Mettler-Toledo GmbH as the manufacturer has been awarded **ISO 9001/EN29001** certification). Notwithstanding this, improper use could lead to hazards for the user or a third-party, and/or adverse effects on the plant or other equipment. Therefore, **the operating instructions must be read and understood** by the persons involved before work is started with the retractable housing.

In addition to these operating instructions, you should also be familiar with the following:

- all local safety regulations.
- all information and warnings in the documentation dealing with the products used together with the retractable housing (electrodes/sensors, control system, etc.).
- all safety regulations governing the equipment in which the retractable housing is installed.
- all information and warnings affixed to the retractable housing.

2 Important remarks

Please read through this section carefully. It contains several important points which will help you use the retractable housing in a safe and proper manner.

2.1 Checking the shipment

On receipt of the shipment, check immediately:

- the retractable housing and accessories for transport damage. Report any damage immediately to the carrier and your supplier.
- the type designation on the housing body.
- the shipment for completeness. Please notify your supplier immediately if the shipment is incomplete (see Section 7.1 "Standard equipment") or does not concur with the order and delivery documents.

2.2 Notes on operating instructions

Restriction

The information contained in this **operating instruction applies only to the InTrac® 787**. Detailed information on the electrodes and their installation is not given in these instructions. Such information can be found in the separate documentation accompanying these products. Where necessary, appropriate cross-references to such publications are given in these operating instructions.

Conventions



This pictogram represents safety and hazard warnings which, if ignored, could result in injuries to personnel and/or material damage.

Storage

Please keep these operating instructions in a safe place where they are always accessible. If these instructions are lost, please contact your supplier for a replacement.

2.3 Normal use

The InTrac® 787 is intended solely for measurement with the specified METTLER TOLEDO 12 mm pH and redox screwcap electrodes as well dissolved oxygen sensors.

Use the retractable housings solely for this purpose. Usage which differs from or exceeds this normal usage will be regarded as usage not for the intended purpose.

The manufacturer/supplier accepts no responsibility for any damage resulting from such improper usage. The risk is borne entirely by the user.

Normal use also includes:

- Compliance with the instructions, regulations and information in this operating instruction for the InTrac® 787 retractable housings.
- Adherence to the stipulated inspection and maintenance intervals.
- Correct maintenance of the retractable housing.
- Operation with due observance of the stipulated environmental and operating and the admissible mounting positions.

2.4 Safety instructions

The retractable housings InTrac® 787 should be installed, operated, maintained and, if need be, repaired only by personnel familiar with the housing and who are qualified for such work. The customer is responsible for ensuring that:

- only trained and authorized personnel work with the retractable housings.
- the operating instructions should be supplemented by in-house instructions regarding supervisory duties and obligation to report, work organization, personnel qualification, etc.
- the chain has to be always adjusted to the shortest possible length.



Ensure that the material specification of your retractable housing and of the seals satisfies the requirements of the process and is compatible with the (vessel) cleaning solutions used.

Before every startup, the retractable housing must be checked for:

- damage to the connections, fastening, etc.
- leaks



A defective retractable housing must neither be installed nor put into service. If it is suspected that hazard-free operation is no longer possible (e.g. housing damaged, connections leaking), the retractable housing and the equipment in which the retractable housing is installed must be shut down and secured against inadvertent operation.

Before dismantling the entire retractable housing or commencing any maintenance work on it, ensure that the equipment in which the housing is installed is in a safe condition (depressurize, empty, rinse, purge, vent, etc.).

In the measuring position no maintenance work must be done.



Only the maintenance and repair work described in these operating instructions may be performed on the retractable housings.

When changing faulty components, **use only original spare parts** obtainable from your supplier.



No attachments or modifications to the retractable housings and the accessories are allowed. The manufacturer/supplier accepts no responsibility for damage caused by unauthorized attachments and modifications or the incorporation of non-original spare parts. The risk is borne entirely by the user.

The rinse connections of the InTrac® 787 have a direct connection to the process when the ball valve is open. This means that you will have the effective process pressure on the rinsing tubes as well. Never do any manipulation on this connections while the ball valve is open.

3 Description of function

With the InTrac® 787 retractable housings, electrodes can be cleaned or replaced without interrupting the ongoing process. The process can be closed safely with the integrated ball valve. "The integrated flushing port allow a rinsing of the electrode in the housing.

The immersion tube is moved into the desired end position ("Measuring" or "Maintenance") by hand.

- In the "Measuring" position, the immersion tube is fully inserted in the process.
- In the "Maintenance" position, the electrode can be cleaned or removed/exchanged. The ball valve seals the housing against ingress of process medium.

4 Installation/Startup and shutdown

4.1 Preparation of the equipment

The housings are mounted and fixed on the vessel (reactor, tank, pipe, etc.) a flange connection or a 1" MNPT external (male) thread.

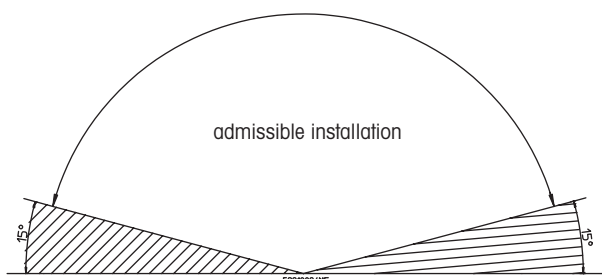
- The retractable housing should be mounted in a position which allows sufficient clearance for its correct functioning (correct measuring position in the medium) and maintenance (checks, installation and removal of the electrodes/sensors).
- Avoid mounting the retractable housing at exposed positions. If this is not possible, appropriate measures must be taken to protect against damage.

In order to guarantee correct function of the retractable housings, please pay attention to the following installation instructions:

- The retractable housing can be mounted vertically or in an inclined position.



Caution! In the case of inclined mounting, the angle of the housing must be equal to or greater than 15° above the horizontal.



4.2 Fitting and installation works



Warning! For all installation work described below, ensure that the equipment in which the housing is installed is in a non-hazardous condition (depressurized, empty, rinsed, purged, etc.).

4.2.1 Attaching the flushing lines

Important information

- When the electrode/sensor is withdrawn, small amounts of the process medium adhere to the electrode/sensor tip and can enter the outflow line during the rinsing process. If the process medium is an environmentally harmful substance (toxic, corrosive, etc.), it is essential to comply with the local regulations governing the installation of wastewater services.
- Use only corrosion-resistant and chemically resistant materials for the rinsing water installation.

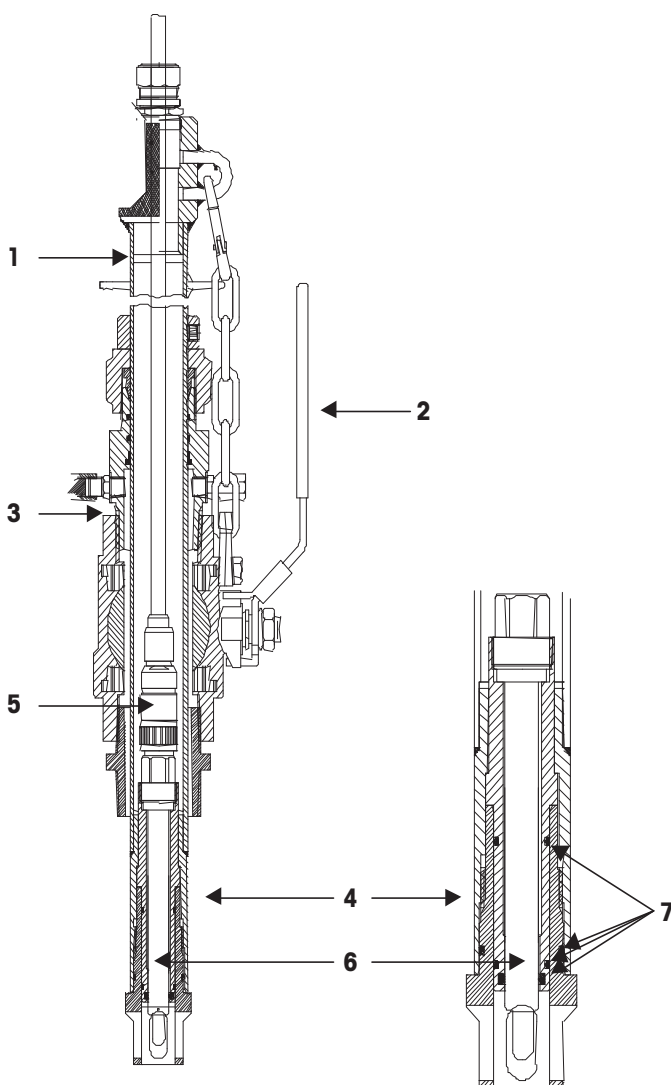
Recommendation for proper operation and safe use

Flushing lines must be equipped with valves which may only be opened when the retractable part of the housing is in the maintenance position. After the flushing and maintenance of the sensors, the flushing valves must be closed.

Basic installation

The basic installation is intended for cleaning/flushing of the electrodes/sensors when the housing is in the "Maintenance" position. In the optional accessories you will find Serto or Swagelok fitting to connect your flushing lines. The position of the Inlet and Outlet has no influence to the performance.

4.2.2 Fitting the electrode/sensor

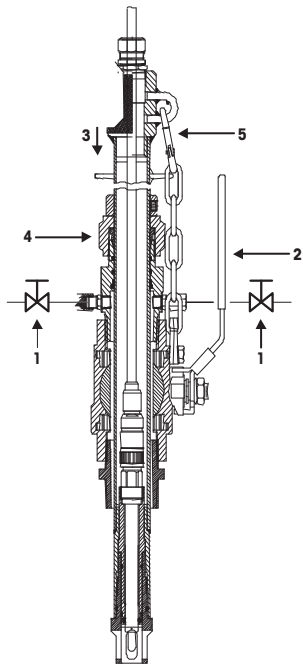


1. Pull out the immersion tube.
2. Close the ball valve.
3. Disconnect the immersion tube right at the ball valve.
4. Disconnect the electrode holder by turning it counterclockwise.
5. Disconnect the electrode cable.
6. Remove the electrode.
7. Check washers and O-rings on electrodes for damage and replace if necessary.
8. Remove watering cap from electrode tip and rinse electrode/sensor with water.
9. Carefully insert the electrode into the electrode holder and screw in by hand as far as it will go.
Important: use no tools!
10. Re-Install the complete housing.



4.3 Startup procedure

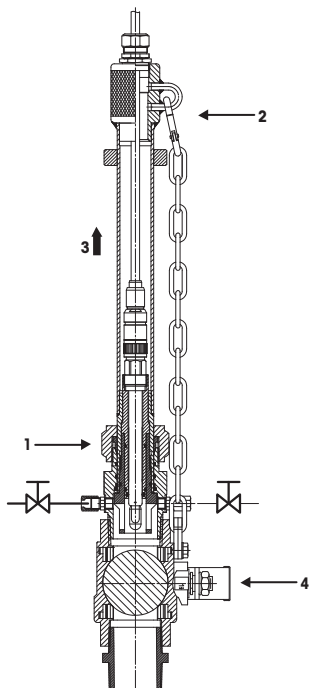
Before startup, all fitting and installation work must have been completed and the immersion tube must be secured to the ball valve with the safety chain.



1. **Warning!** Close the valves on both connections of the flushing chamber. Otherwise process media can escape while the ball valve is opened!

2. Open the ball valve.
3. Carefully push the immersion tube by hand into the process.
4. Secure immersion tube in this position by tightening the locking nut.
5. Shorten the safety chain to the shortest possible length.

4.4 Shutdown procedure



1. Loosen the locking nut.
2. Hold immersion tube, then disconnect the safety chain.
3. Move immersion tube by hand to "Maintenance" position.
4. Close the ball valve.

5. **Caution!** Make sure that the process vessel or line is in a non-hazardous condition (depressurized, empty, rinsed, purged, etc.) when the housing has to be removed.

5 Maintenance

5.1 Important information on maintenance



Attention! Maintenance and service work on the housings may only be carried out by trained personnel.

Warning! It is possible that the process medium could harm the environment and your health (toxic, corrosive, etc.). Hence, ensure that the equipment is in a non-hazardous condition before you start with maintenance work.

- The electrode and housing must kept clean.
- Replace any damages seals or components of the housing
- Details in the maintenance of the electrode are contained in the electrode operation instructions.

5.2 Replacing seals in contact with the process medium

All seals which come into contact with the process medium should always be replaced at least once a year for reasons of safety.

With corrosive media, the seals may need to be changed at correspondingly shorter intervals.



Warning!

- Retractable housings may only be stripped down after having been completely dismantled.
- Check the quality of the seals and examine for possible damage. Ensure correct positioning.

6 Trouble-shooting

In this section you will find an overview of possible malfunctions which can occur during operation of the retractable housing, as well as information on how to rectify them.

Malfunction	Cause	Remedial action
Immersion tube cannot be inserted.	Ball valve is not completely opened.	Check the ball valve position.
Immersion tube cannot be pulled out.	Retention nut is not open.	Loosen the retention nut.
Immersion tube cannot be pulled out completely.	Ball valve is not completely opened.	Check the ball valve position.
Process liquid is flowing out of the rinsing chamber.	Rinsing chamber is not closed.	Close the outlet of the rinsing chamber with covers or with valves.
Process fluid is entering into the immersion tube.	O-ring defective.	Replace the O-ring in the electrode holder (order O-ring set)

7 Product specifications

7.1 Standard equipment

InTrac® 787 is supplied with:

- Immersion tube (100 mm or 300 mm)
- Electrode holder
- Ball valve
- Safety chain
- Electrode holder
- Threat connector 1 1/2"
- Nut to secure immersion tube

7.2 Technical data

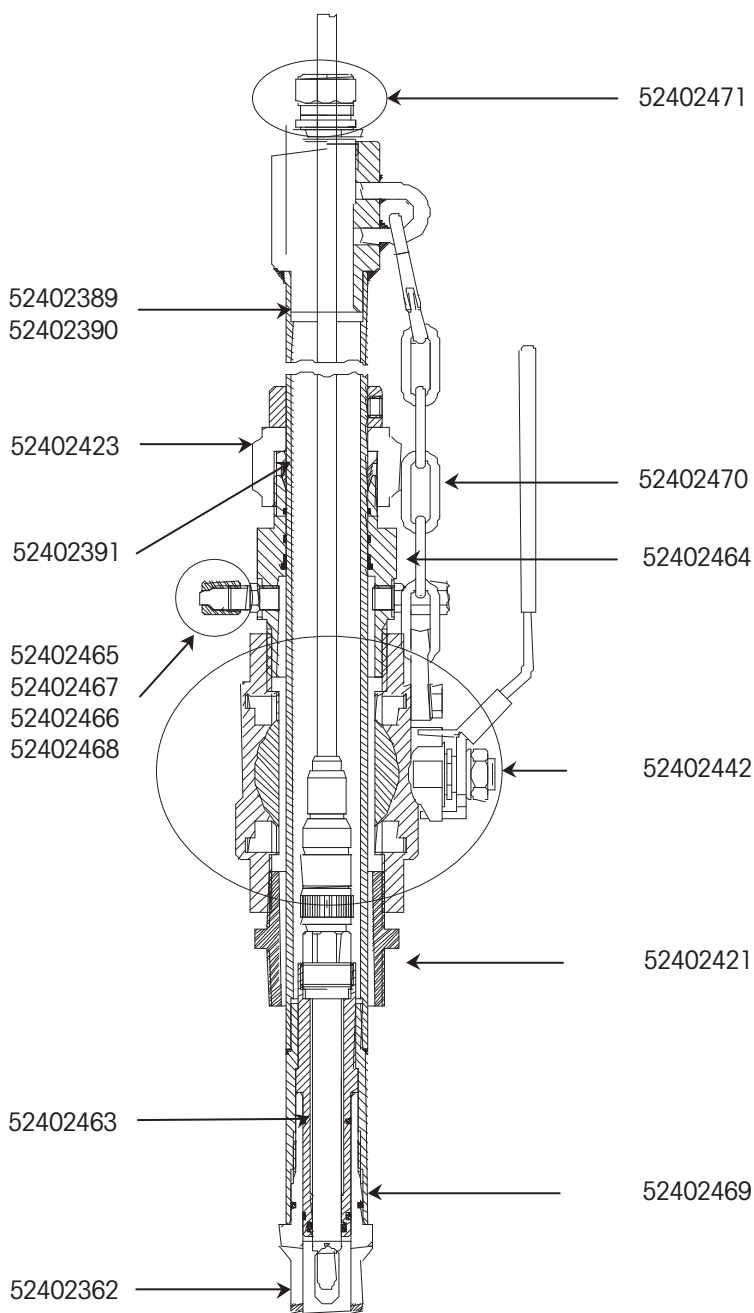
Dimensions	see dimensional drawing		
Maximum Pressure*	9 bar (130 psi)		
Maximum Temperature*	140°C (266 °F)		
Insertion Length	variable	0 to 100 (300) mm / 0" to 4(12)"	
Wetted Parts	Housing:	316L Stainless Steel (3.1B)	
	O-Rings:	Viton®	
	Ball valve:	Ball	316 (1.4401)
		Housing	CF-8M (1.4408)
	Sealing	PTFE	
Ball Valve	DN40, 1.5" NPT full port		

* See electrode specification

7.3 Spare parts list

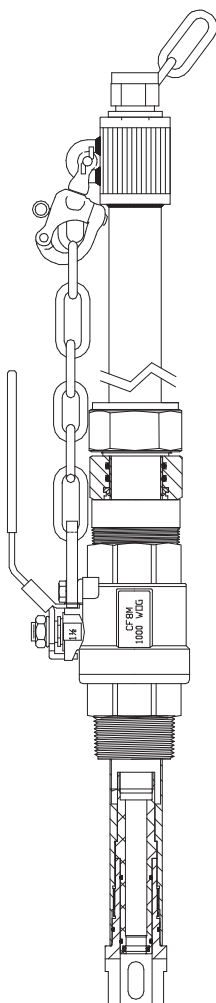
Order No.	Description
52402422	Ball Valve DN40-1½" NPT 3.1B
52402421	Double nipple 1½" NPT / 787
52402403	O-Ring-Set InTrac® 787 Vi(5)cpl.
52402463	O-Ring Set Electr.-hold 787 Vi
52402464	Flushing chamber 787
52402469	Electrode holder 787cpl. 120mm
52402470	Chain 787 cpl.
52402471	Cable fitting 787 cpl.
52402465	Fitting set 787 6 mm SERTO
52402467	Fitting set 787 6 mm SWAGELOCK
52402466	Fitting set 787 6.35 mm SERTO
52402468	Fitting set 787 6.35 mm SWAGEL.
52402402	InTrac® 787/300
52402401	InTrac® 787/100
52402389	Imm. tube 787 cpl. 100 mm 3.1B
52402390	Imm. tube 787 cpl. 300 mm 3.1B
52402362	Basket guard 787 120 mm 3.1B
52402404	Flange C40 DIN 2566 1½" NPT
52402423	Spanning nut 787
52402391	Spanner ring 787
52402481	Instruction manual InTrac® 787 (g,e,f)
52402504	Flyer InTrac® 787 (d)
52402505	Flyer InTrac® 787 (e)
52402506	Flyer InTrac® 787 (f)

InTrac® 787



InTrac® 787

Betriebsanleitung



Inhaltsverzeichnis

1	Einleitung.....	21
2	Wichtige Hinweise.....	22
2.1	Kontrolle der Lieferung.....	22
2.2	Hinweise zur Betriebsanleitung.....	22
2.3	Bestimmungsgemässe Verwendung.....	23
2.4	Sicherheitshinweise.....	23
3	Funktionsbeschreibung.....	25
4	Installation/In- und Ausserbetriebnahme.....	26
4.1	Anlage vorbereiten.....	26
4.2	Einbau- und Installationsarbeiten.....	26
4.2.1	Spülleitungen anschliessen.....	26
4.2.2	Elektrode einbauen.....	27
4.3	Inbetriebnahme der Armatur.....	28
4.4	Ausserbetriebnahme der Armatur.....	28
5	Unterhalt.....	29
5.1	Wichtige Hinweise zum Unterhalt.....	29
5.2	Mediumbeaufschlagte Dichtungen ersetzen.....	29
6	Behebung von Störungen.....	30
7	Produktspezifikationen.....	31
7.1	Standard-Lieferumfang.....	31
7.2	Technische Daten.....	31
7.3	Ersatzteilliste.....	32

1 Einleitung

Diese Betriebsanleitung enthält alle Angaben, um die Wechselarmaturen **InTrac® 787** sicher und sachgerecht einzusetzen.

Die Betriebsanleitung richtet sich an das, mit der Bedienung und der Instandhaltung der Wechselarmaturen, betraute Personal. Es wird vorausgesetzt, dass diese Personen Kenntnisse der Anlage besitzen, in der die Wechselarmatur eingebaut ist.



Die Wechselarmaturen sind nach dem heutigen Stand der Technik und den zur Zeit anerkannten sicherheitstechnischen Regeln gebaut (Mettler-Toledo GmbH als Hersteller ist nach **ISO 9001/ EN29001** zertifiziert). Dennoch können bei unsachgemäßer Anwendung Gefahren für den Anwender oder Dritte und/oder Beeinträchtigungen der Anlage und anderer Sachwerte entstehen. **Die Betriebsanleitung muss deshalb vor Beginn von Arbeiten an der Wechselarmatur von den betreffenden Personen gelesen und verstanden werden.**

In Ergänzung zu dieser Betriebsanleitung beachten Sie bitte:

- Alle lokalen Sicherheitsvorschriften.
- Alle Hinweise und Warnvermerke in den Publikationen zu den Produkten, die zusammen mit der Wechselarmatur verwendet werden.
- Alle Sicherheitsvorschriften der Anlage, in welche die Wechselarmatur eingebaut wird.
- Alle Hinweise und Warnungen, die an der Wechselarmatur angebracht sind.

2 Wichtige Hinweise

Bitte lesen Sie dieses Kapitel sorgfältig durch. Sie finden darin eine Vielzahl von Hinweisen, die zu einem sicheren und sachgerechten Einsatz der Wechselarmatur beitragen.

2.1 Kontrolle der Lieferung

Überprüfen Sie bei Erhalt der Lieferung:

- Die Wechselarmatur und Zubehör auf Transportschäden. Allfällige Schäden melden Sie umgehend dem Transportunternehmen und Ihrem Lieferanten.
- Die Typenangabe auf dem Armaturgehäuse.
- Den Lieferumfang auf Vollständigkeit. Unvollständige oder falsche Lieferungen (siehe Kapitel 7.1 "Standard-Lieferumfang") melden Sie bitte umgehend Ihrem Lieferanten.

2.2 Hinweise zur Betriebsanleitung

Abgrenzung

Die Ausführungen in dieser Betriebsanleitung beschränken sich auf die Wechselarmaturen InTrac® 787 in ihren verschiedenen Ausführungen. Ausführliche Angaben zu den Elektroden und der Anlage in der die Wechselarmatur eingebaut wird, sind nicht Bestandteil dieser Anleitung. Solche Angaben finden sich in den separaten Dokumentationen zu diesen Produkten. Wo nötig finden sich in dieser Anleitung entsprechende Querverweise auf solche Publikationen.

Vereinbarungen



Dieses Piktogramm kennzeichnet Sicherheits- und Gefahrenhinweise, deren Missachtung zu Personen und/oder Sachschäden führen können.

Aufbewahrung

Bitte bewahren Sie die Betriebsanleitung an einem sicheren Ort auf, wo sie jederzeit zur Hand ist. Bei Verlust der Anleitung wenden Sie sich bitte an Ihren Lieferanten.

2.3 Bestimmungsgemässe Verwendung

Die Wechselarmaturen sind ausschliesslich zur Messung mit den spezifizierten METTLER TOLEDO pH- und Redox-Einstabmessketten mit Steckkopf sowie O₂-bestimmt.

Verwenden Sie die Wechselarmaturen ausschliesslich für diesen Zweck. Eine andere oder darüber hinausgehende Benutzung gilt als nicht bestimmungsgemäss.

Für hieraus resultierende Schäden haftet der Hersteller/Lieferant nicht. Das Risiko trägt allein der Anwender.

Zur bestimmungsgemässen Verwendung gehören zudem:

- Die Beachtung der Anweisungen, Vorschriften und Hinweise in der vorliegenden Betriebsanleitung
- Die Einhaltung der vorgeschriebenen Inspektions- und Wartungsintervalle.
- Die korrekte Instandhaltung der Wechselarmatur.
- Der Betrieb unter Beachtung der vorgeschriebenen Umwelt und Betriebsbedingungen und den zulässigen Einbaulagen.

2.4 Sicherheitshinweise

Die Wechselarmaturen InTrac® 787 dürfen nur von Personen installiert, bedient, gewartet und allenfalls repariert werden, die mit diesen Produkten vertraut und für solche Arbeiten qualifiziert sind. Es ist Sache des Betreibers, dafür zu sorgen, dass:

- nur geschultes und dazu befugtes Personal mit den Wechselarmaturen arbeitet.
- die Betriebsanleitung um betriebsinterne Anweisungen bezüglich Aufsichts- und Meldepflicht, Arbeitsorganisation, Personalqualifikation etc. ergänzt wird.
- die Sicherheitskette immer auf die kürzeste Distanz eingestellt ist.



Achten Sie darauf, dass die Armatur und die Dichtungen betreffend Materialbeständigkeit den Prozessanforderungen und den eingesetzten (Kessel-) Reinigungslösungen genügen. Nehmen Sie im Zweifelsfall mit Ihrem Lieferanten Kontakt auf.

Vor jeder Inbetriebnahme ist die Wechselarmatur zu prüfen auf:

- Beschädigung der Anschlüsse, Befestigung, etc.
- Undichtigkeit



Eine defekte Wechselarmatur darf weder montiert noch in Betrieb genommen werden.

Wenn anzunehmen ist, dass ein gefahrloser Betrieb nicht mehr möglich ist (z.B. beschädigte Armatur, undichte Anschlüsse, etc.), so ist die Wechselarmatur und die Anlage in der die Wechselarmatur eingebaut ist, ausser Betrieb zu setzen und gegen unabsichtlichen Betrieb zu sichern.

Bevor Sie Unterhaltsarbeiten an der Armatur ausführen, bzw. einen Ausbau derselben vornehmen, bringen Sie die Anlage, in der die Wechselarmatur eingebaut ist, in einen gefahrlosen Zustand (drucklos machen, entleeren, spülen, entlüften, ventillieren, etc.).



In der Messposition dürfen keine Wartungs- und Unterhaltsarbeiten durchgeführt werden.

An der Wechselarmatur dürfen nur die Unterhalts- und Reparaturarbeiten ausgeführt werden, die in dieser Anleitung beschrieben sind.



Für den Austausch von defekten Komponenten dürfen **nur Originalersatzteile von METTLER TOLEDO** verwendet werden.

An den Wechselarmaturen und den Zubehörteilen dürfen **keine An- und Umbauten** vorgenommen werden. Für Schäden aufgrund von unerlaubten An- und Umbauten oder bei der Verwendung von nicht Original-Ersatzteilen haftet der Hersteller/Lieferant nicht. Das Risiko trägt allein der Betreiber.

Die Spülanschlüsse sind bei offenem Kugelhahn direkt mit dem Prozessgefäß verbunden. Dies bedeutet, dass der Prozessdruck direkt auf die Spülschläuche übertragen wird. Aus diesem Grund müssen die Spülschläuche den Prozessbedingungen angepasst sein. Führen Sie nie arbeiten bei geöffnetem Kugelhahn an den Spülanschlüssen durch.

3 Funktionsbeschreibung

Mit den Wechselarmaturen InTrac® 787 können Elektroden ohne Unterbrechung des laufenden Prozesses gereinigt oder ausgetauscht werden. Zusätzlich ist es möglich, das Messsystem bei eingebauter Elektrode zu spülen. Der integrierte Kugelhahn schliesst dabei die Elektrode sicher vom Prozess ab.

Das Tauchrohr wird manuell in die gewünschte Position ("Messposition" oder "Wartungsposition") gebracht.

- In der "Messposition" ist das Tauchrohr immer komplett in den Prozess eingefahren.
- In der "Wartungsposition" kann die Elektrode bei geschlossenem Kugelhahn gereinigt oder ausgebaut werden. Der Kugelhahn dichtet die Spülkammer gegen den Prozess ab.

4 Installation/In- und Ausserbetriebnahme

4.1 Anlage vorbereiten

Die Wechselarmaturen werden mit dem 1" NPT (Male) Gewinde oder mittels einem Gewindeflansch an einen Behälter (Reaktor, Kessel, Rohrleitung, etc.) montiert.

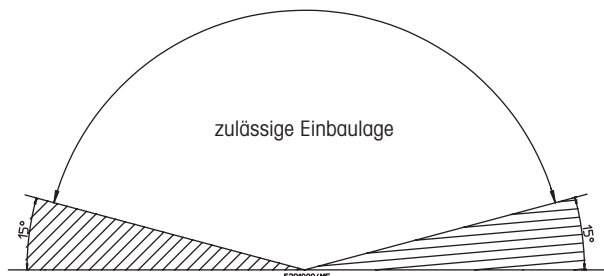
- Die Wechselarmatur soll so montiert werden, dass genügend Platz für die korrekte Funktion (korrekte Messposition im Medium) und die Wartung (Kontrollarbeiten, Ein- und Ausbau der Elektroden), vorhanden ist.
- Die Montage der Wechselarmatur an exponierten Stellen ist zu vermeiden. Ist dies nicht möglich, müssen zum Schutz vor Beschädigung entsprechende Massnahmen getroffen werden.

Um die korrekte Funktion der Wechselarmatur zu gewährleisten, beachten Sie bitte die folgenden Hinweise für den Einbau:

- Die Wechselarmatur kann senkrecht oder schräg eingebaut werden. Bei schrägem Einbau ist der Winkel zwischen der Armatur und der Horizontalen, grösser oder gleich 15° einzuhalten.



Achtung! Ein Einbau der Wechselarmaturen ausserhalb der zulässigen Einbaulagen ist nicht erlaubt, da in diesen Stellungen die Funktion der Elektroden/Sensoren nicht mehr gewährleistet ist.



4.2 Einbau- und Installationsarbeiten



Achtung! Für alle nachfolgend beschriebenen Installationsarbeiten muss die Anlage, in welche die Armatur eingebaut wird, in einem gefahrlosen Zustand sein (drucklos, entleert, gespült, entlüftet, etc.).

4.2.1 Spülleitungen anschliessen

Wichtige Hinweise

- Beim Ausfahren der Elektrode bleiben an der Elektrodenspitze geringe Mengen des Prozessmediums hängen, das beim Spülvorgang in die Ablaufleitung gelangt. Falls es sich beim

Prozessmedium um umweltschädigende Substanzen (giftig, ätzend, etc.) handelt, sind unbedingt lokale Vorschriften betreffend der Ausführung von Abwasser- Installationen zu beachten.

- Verwenden Sie für die Erstellung der Spülwasserinstallation ausschliesslich korrosionsbeständiges und chemikalienresistentes Material.

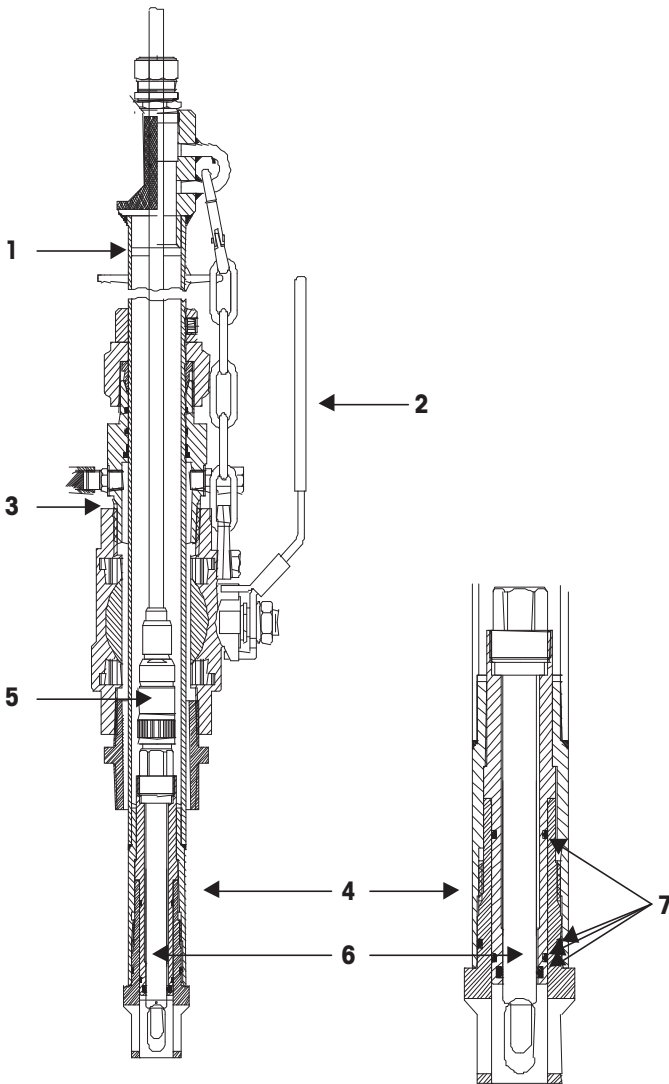
Empfehlungen für den sicheren und sachgerechten Betrieb

Alle Spülleitungen müssen mit Absperrventilen ausgerüstet sein. Diese Ventile dürfen nur im zurückgezogenem Zustand (Wartungsposition) geöffnet werden. Nach erfolgter Wartung der Elektrode müssen die Ventile wieder geschlossen werden.

Basisinstallation

Die Basisinstallation dient zur Reinigung der Elektroden, wenn die Armatur in der Wartungsposition ist. Im optionalen Zubehör finden Sie Serto und Swagelok Kupplungen mit welchen die Spülschläuche angeschlossen werden können. Die Positionierung des Zu- und Ablaufes hat keinen Einfluss auf die Spüleistung.

4.2.2 Elektrode einbauen

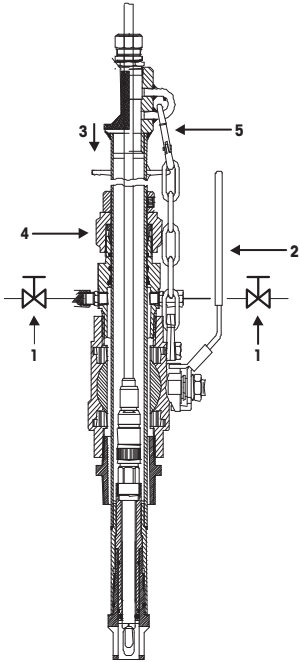


1. Tauchrohr aus dem Prozess in Wartungsposition ziehen.
2. Kugelhahn schliessen.
3. Lösen Sie das Tauchrohr direkt am Kugelhahn.
4. Elektrodenhalter im Gegenuhrzeigersinn aus dem Tauchrohr schrauben.
5. Kabel lösen.
6. Elektrode heraufschrauben.
7. Kontrollieren Sie alle O-Ringe im Elektrodenhalter auf Verschleisserscheinungen.
8. Entfernen Sie die Wässerungskappe von der Elektrode.
9. Schieben Sie die Elektrode vorsichtig in den Elektrodenhalter und schrauben diese **ohne den Gebrauch von Werkzeugen** fest.
10. Bauen Sie die Armatur wieder zusammen.



4.3 Inbetriebnahme der Armatur

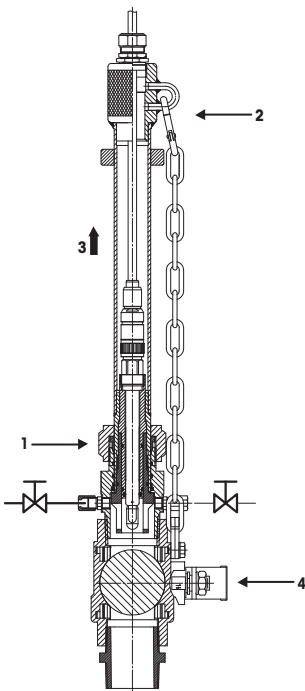
Vor Inbetriebnahme müssen sämtliche Einbau- und Installationsarbeiten abgeschlossen sein! Das Tauchrohr muss immer mit der Sicherheitskette am Kugelhahn befestigt sein.



1. **Achtung!** Schliessen Sie die Ventile an den Spülkammeranschlüssen. Andernfalls kann bei geöffnetem Kugelhahn Prozessmedium über die Spülanschlüsse entweichen.

2. Öffnen Sie den Kugelhahn.
3. Stossen Sie das Tauchrohr vorsichtig in die Messposition.
4. Sichern Sie das Tauchrohr in der Messposition, indem Sie die Überwurfmutter festziehen.
5. Verkürzen Sie die Länge der Sicherheitskette auf die kürzeste mögliche Länge.

4.4 Ausserbetriebnahme der Armatur



1. Überwurfmutter lösen.
2. Tauchrohr festhalten und Sicherheitskette lösen.
3. Tauchrohr in die Wartungsposition schieben.
4. Kugelhahn schliessen.

5. **Achtung!** Falls die Armatur ausgebaut werden soll, Anlage in einem gefahrlosen Zustand bringen (drucklos, entleert, gespült, entlüftet, etc.).

5 Unterhalt

5.1 Wichtige Hinweise zum Unterhalt



Achtung! Wartungs- und Unterhaltsarbeiten an der Armatur dürfen nur von Fachpersonal durchgeführt werden.

Achtung! Das Prozessmedium kann unter Umständen die Umwelt und Ihre Gesundheit gefährden (giftig, ätzend, etc.). Bringen Sie deshalb die Anlage in einen gefahrlosen Zustand, bevor Sie mit den Unterhaltsarbeiten beginnen.

- Die Elektrode und Armatur müssen während Unterhaltsarbeiten sauber sein.
- Stellen Sie sicher, dass der Prozessbehälter oder die Leitung in welcher die Armatur eingebaut ist, leer ist, bevor Sie die Armatur von diesem demontieren.
- Detaillierte Informationen betreffend der Wartung der Elektrode und der Kabel entnehmen Sie der diesen Produkten beigelegten Betriebsanleitung.

5.2 Mediumbeaufschlagte Dichtungen ersetzen

Aus Sicherheitsgründen sind die **mit dem Medium in Berührung kommenden Dichtungen, mindestens einmal jährlich zu ersetzen.**

Bei aggressiven Medien sind die Dichtungen in entsprechend kürzeren Intervallen auszutauschen.



Achtung!

- Das Zerlegen der Armatur für Wartungs- und Reparaturarbeit darf nur im ausgebauten Zustand erfolgen.
- Achten Sie auf die richtige Qualität, evtl. Beschädigung und die korrekte Einbaulage der Dichtungen.

6 Behebung von Störungen

In diesem Kapitel finden Sie eine Übersicht über mögliche Störungen, die beim Betrieb der Wechselarmatur auftreten können, deren Ursache und Hinweise zu deren Behebung.

Störung	Ursache	Abhilfe
Tauchrohr kann nicht eingefahren werden.	Kugelhahn ist nicht komplett geöffnet.	Überprüfen Sie die Stellung des Kugelhahnes.
Tauchrohr kann nicht ausgefahren werden.	Feststellmutter ist noch festgezogen.	Überprüfen Sie die Feststellmutter.
Tauchrohr kann nicht komplett herausgezogen werden.	Kugelhahn ist nicht komplett geöffnet.	Überprüfen Sie die Stellung des Kugelhahnes.
Prozessmedium leckt aus der Spülkammer.	Spülkammer ist nicht verschlossen.	Spülkammer mit Ventil oder Deckel verschliessen.
Prozessflüssigkeit befindet sich im Tauchrohr.	Elektrodenhalter-Dichtungen sind defekt.	Dichtungen ersetzen (siehe Ersatzteile).

7 Produktspezifikationen

7.1 Standard-Lieferumfang

Die Wechselarmatur InTrac® 787 wird wie folgt ausgerüstet ausgeliefert:

- Tauchrohr (100 mm oder 300 mm)
- Elektrodenhalter
- Kugelhahn
- Sicherheitskette
- 1 1/2" NPT Gewindeanschluss
- Mutter zur Fixierung des Tauchrohres

7.2 Technische Daten

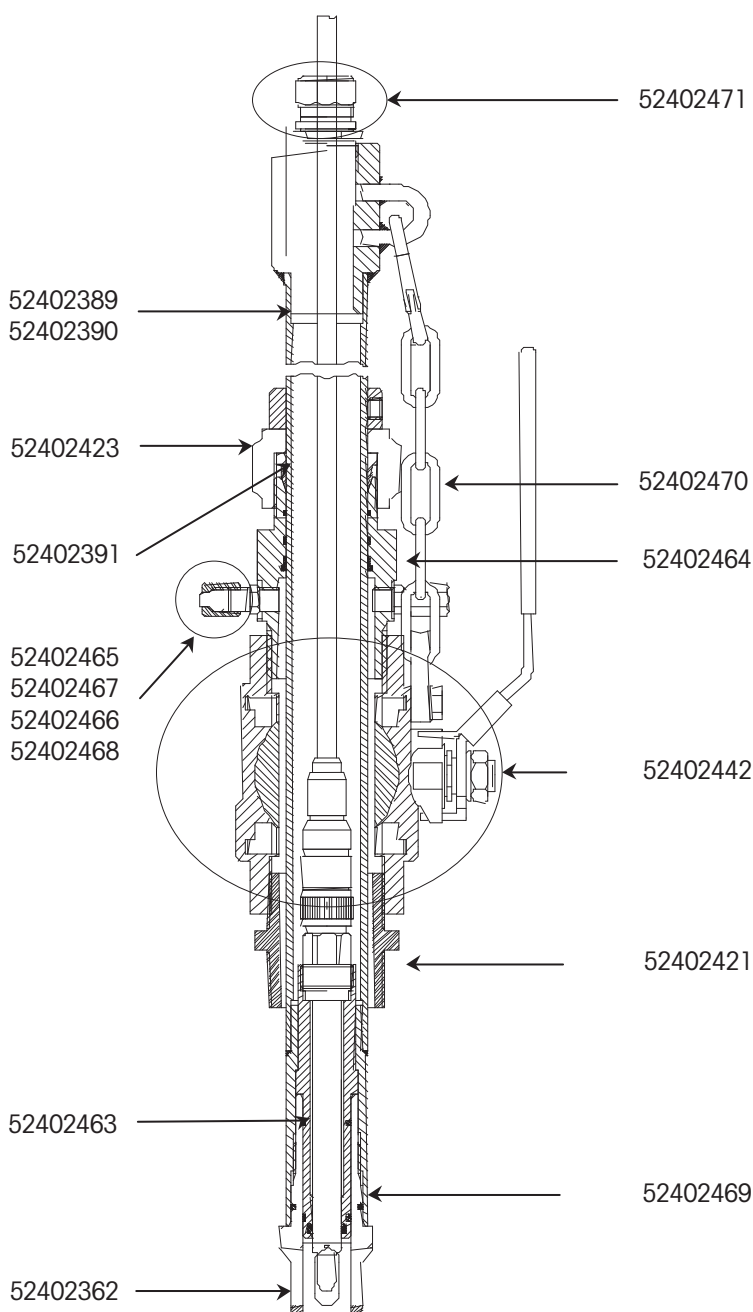
Dimensionen	siehe Zeichnung		
Max. Prozessdruck*	9 bar		
Max. Temperatur*	140 °C		
Eintauchtiefe	variabel von 0 – 100 (300) mm		
Benetztes Material	Armatur:	1.4435 (316L) rostfreier Stahl (3.1B)	
	O-Ring:	Viton®	
	Kugelhahn:	Kugel	1.4401 (316)
		Gehäuse	1.4408 (CF-8M)
	Dichtung	PTFE	
Kugelhahn	DN40, 1.5" NPT		

* beachten Sie die Spezifikationen der Elektrode

7.3 Ersatzteilliste

Bestell-Nr.	Beschreibung
52402422	Kugelhahn DN40-1 1/2" NPT 3.1B
52402421	Doppelnippel 1 1/2" NPT 3.1B
52402403	O-Ring-Set InTrac® 787 Vi(5)kpl.
52402463	O-Ring Set Elektroden. 787 Vi
52402464	Spuelkammer 787 kpl.
52402469	Elektrodenhalter 787 kpl 120 mm
52402470	Kette 787 kpl.
52402471	Kabelverschraubung 787 kpl.
52402465	Anschluss Set 787 6 mm SERTO
52402467	Anschluss Set 787 6 mm SWAGEL.
52402466	Anschluss Set 787 6.35 mm SERTO
52402468	Anschl. Set 787 6.35 mm SWAGEL.
52402402	InTrac® 787/300
52402401	InTrac® 787/100
52402389	Tauchrohr 787 kpl. 100 mm 3.1B
52402390	Tauchrohr 787 kpl. 300 mm 3.1B
52402362	Schutzkorb 787 / 120 mm 3.1B
52402404	Flansch C40 DIN 2566 1 1/2" NPT
52402423	Spannmutter 787
52402391	Klemmring Nacharbeit 787
52402481	Betriebsanleitung InTrac® 787 (d,e,f)
52402504	Flyer InTrac® 787 (d)
52402505	Flyer InTrac® 787 (e)
52402506	Flyer InTrac® 787 (f)

InTrac® 787



InTrac® 787

Instruction d'utilisation

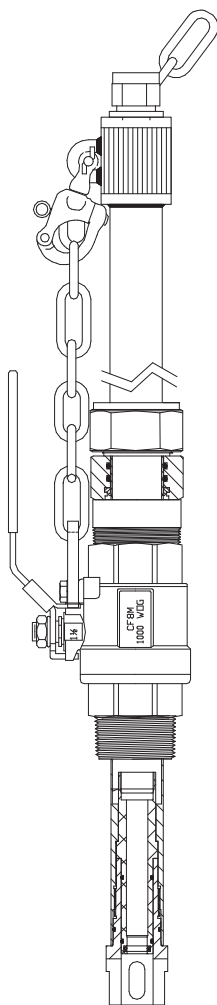


Table des matières

1	Introduction.....	37
2	Consignes importantes	38
2.1	Contrôle de la livraison.....	38
2.2	Indications concernant les instructions d'utilisation	38
2.3	Utilisation conforme	39
2.4	Consignes de sécurité	39
3	Description de la fonction	41
4	Installation/Mises en service et hors service	42
4.1	Préparation de l'installation.....	42
4.2	Travaux de pose et d'installation.....	42
4.2.1	Raccordement des conduites de rinçage.....	42
4.2.2	Pose de l'électrode.....	43
4.3	Mise en service du support rétractable.....	44
4.4	Mise hors service.....	44
5	Entretien	45
5.1	Consignes importantes concernant l'entretien	45
5.2	Remplacement des joints qui sont en contact avec le milieu	45
6	Dépannage	46
7	Spécifications du produit.....	47
7.1	Ampleur de la livraison standard	47
7.2	Caractéristiques techniques.....	47
7.3	Liste des pièces de rechange.....	48

1 Introduction

Les présentes instructions d'utilisation contiennent toutes les indications utiles à l'utilisation sûre et compétente des supports rétractables **InTrac® 787**.

Les présentes instructions concernent le personnel familiarisé avec l'utilisation et l'entretien des supports rétractables. Il est supposé que ces personnes connaissent les installations sur lesquelles sont équipés les supports rétractables.



Les supports rétractables sont construits selon les techniques récentes et les règles de sécurité actuellement reconnues (Mettler-Toledo GmbH est certifié comme fabricant selon **ISO 9001/EN29001**). Toutefois, l'utilisation inadéquate peut exposer l'utilisateur ou un tiers à des dangers et/ou provoquer des perturbations de l'installation ou d'autres dommages matériels. Pour ces raisons, **il est indispensable que les personnes affectées à des travaux sur le support rétractable aient lu et assimilé auparavant les instructions d'utilisation s'y rapportant.**

D'autre part, en complément des présentes instructions d'utilisation, veuillez observer les consignes suivantes:

- toutes les prescriptions de sécurité locales,
- toute consigne et mise en garde figurant dans les publications des produits utilisés avec les supports rétractables,
- toutes les prescriptions de sécurité concernant l'installation équipée du support rétractable,
- toute consigne et mise en garde apposée sur le support rétractable.

2 Consignes importantes

Veillez lire attentivement ce chapitre. Vous y trouverez de nombreuses indications qui vous faciliteront l'utilisation sûre et compétente du support rétractable.

2.1 Contrôle de la livraison

A la réception du matériel, effectuez les contrôles suivants:

- Le support rétractable et ses accessoires quant aux dommages de transport. Annoncez à votre fournisseur immédiatement les dommages constatés.
- La désignation du type figurant sur le boîtier du support rétractable.
- L'intégrité de la livraison. Annoncez immédiatement à votre fournisseur toute livraison incomplète ou fautive (voir chapitre 7.1 "Ampleur de la livraison standard").

2.2 Indications concernant les instructions d'utilisation

Restrictions

L'exposé des présentes instructions d'utilisation se limite aux supports rétractables InTrac® 787, dans leurs différentes exécutions. Ne font pas partie de cette documentation: indications exhaustives concernant les électrodes et l'installation équipée du support rétractable. De telles informations figurent dans les documentations séparées des produits concernés. Le cas échéant, la présente documentation indique toute annotation qui se réfère à ces publications.

Conventions



Ce pictogramme désigne une consigne de sécurité ou un risque dont l'inobservation peut entraîner des lésions à des personnes et/ou provoquer des dommages matériels.

Conservation

Veillez conserver les instructions d'utilisation en un endroit sûr, à portée de main. En cas de perte de la documentation, veuillez contacter votre fournisseur.

2.3 Utilisation conforme

Les supports rétractables sont destinés à être utilisés uniquement pour les mesures avec les électrodes combinées spécifiées METTLER TOLEDO pH et Redox comportant la tête enfichable et avec les sondes O₂.

Utilisez les supports rétractables uniquement à ces fins. Toute autre utilisation est considérée comme non conforme aux prescriptions.

Le fabricant/fournisseur décline toute responsabilité quant aux dommages résultant d'une utilisation non conforme. L'utilisateur en assume entièrement la responsabilité.

L'utilisation conforme implique également l'observation des consignes suivantes:

- l'observation des consignes, des prescriptions et des indications figurant dans la présente documentation,
- le respect des intervalles d'inspection et de maintenance prescrits,
- l'entretien correct du support rétractable,
- L'exploitation sous observation des conditions d'environnement et d'exploitation prescrites et des positions de montage admissibles.

2.4 Consignes de sécurité

L'installation, l'utilisation, la maintenance et la réparation éventuelle des supports rétractables InTrac® 787 incombent uniquement aux personnes familiarisées avec ces produits et qualifiées pour de tels travaux. Il incombe à l'exploitant de veiller à ce que:

- seul le personnel instruit et compétent soit autorisé à travailler avec les supports rétractables,
- les instructions d'utilisation soient complétées par des consignes internes relatives à l'obligation de surveillance et de déclaration, à l'organisation des travaux, à la qualification du personnel, etc.,
- La chaîne de sécurité soit toujours adaptée à sa longueur la plus petite possible.



Assurez-vous que les propriétés des matériaux des supports rétractables et des joints satisfassent aux exigences requises aux réactions et aux solvants de nettoyage utilisés (récipient). En cas de doute, contactez votre fournisseur.

Avant chaque mise en service, vérifiez le support rétractable:

- quant aux endommagements des raccords, fixation, etc.
- fuites



Ne pas monter ni mettre en service un support rétractable défectueux.

Si l'on suppose que l'exploitation sans danger n'est plus possible, (par ex.: support rétractable défectueux, raccords inéchantés, etc.), mettre hors service le support rétractable ainsi que l'installation équipée de ce support et les assurer contre tout enclenchement intempestif.

Avant d'entreprendre des travaux d'entretien au support rétractable ou avant la dépose de ce support, mettez l'installation (équipée de ce support) en condition de sécurité (détendre la pression, vider, rincer, ventiler, etc.).



Aucune maintenance ni travail d'entretien ne doit être effectué lorsque l'installation est en position de mesure.

Au support rétractable, seuls sont autorisés les travaux d'entretien et de réparations décrits dans les présentes instructions d'utilisation.



Seules les pièces de rechange d'origine METTLER TOLEDO doivent être utilisées pour l'échange des pièces défectueuses.

Aucune modification n'est permise aux supports rétractables ni aux accessoires. Le fabricant/fournisseur décline toute responsabilité quant aux dommages causés par l'utilisation d'une pièce étrangère ou par des modifications non autorisées. La responsabilité incombe entièrement à l'utilisateur.

Lorsque le robinet à boisseau sphérique est ouvert, les raccords de rinçage sont directement en contact avec le récipient de réaction, ce qui signifie que la pression de réaction est transmise directement aux conduites de rinçage. Pour cette raison, les conduites de rinçage doivent être adaptées aux conditions réactionnelles. Lorsque le robinet à boisseau sphérique est ouvert, n'effectuez jamais de travaux aux raccords de rinçage.

3 Description de la fonction

Les supports rétractables InTrac® 787 permettent le nettoyage et l'échange des électrodes sans interruption du processus en cours. De plus, il est possible d'effectuer le rinçage du système de mesure lorsque l'électrode est montée. Le robinet à boisseau intégré sépare sûrement l'électrode d'avec le milieu réactionnel.

Le tube d'immersion est mis en position désirée ("position de mesure" ou "position d'attente") à main.

- En "position de mesure" le tube d'immersion est toujours complètement introduit dans le processus.
- En "position d'attente" et avec le robinet à boisseau sphérique fermé l'électrode peut être rincer ou déposer. Le robinet à boisseau sépare sûrement le compartiment de rinçage d'avec le milieu réactionnel.

4 Installation/Mises en service et hors service

4.1 Préparation de l'installation

Les supports rétractables se montent au récipient (réacteur, récipient, tuyauterie, etc.) par un filetage 1" NPT (mâle) ou au moyen d'une bride fileté.

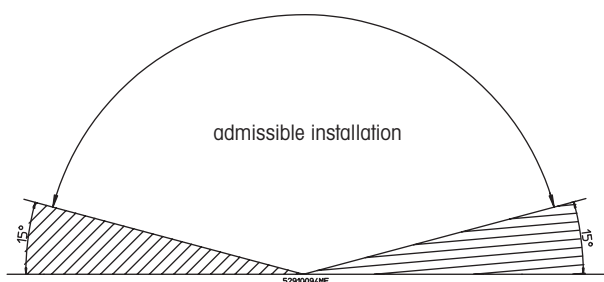
- Au montage du support rétractable, veillez à laisser assez de place permettant le fonctionnement correct (position de mesure correcte dans le milieu réactionnel) et la maintenance (travaux de contrôle, pose et dépose des électrodes).
- Eviter le montage du support rétractable aux endroits exposés. S'il n'est pas possible de remplir ces conditions, prendre les mesures qui s'imposent pour la protection contre les endommagements.

Veillez respecter les consignes suivantes relatives à la pose, afin de garantir le fonctionnement correct du support rétractable:

- le support rétractable peut être monté perpendiculairement ou de façon oblique. Au montage oblique, il faut respecter un angle de 15° ou plus entre le support et l'horizontale.



Attention! Il n'est pas autorisé de monter les supports en dehors de la zone admise; un emplacement inadéquat ne permet plus de garantir le fonctionnement des électrodes/des sondes.



4.2 Travaux de pose et d'installation



Attention! Pour tous les travaux d'installation décrits ci-après, mettre l'installation (à laquelle se monte le support rétractable) en condition de sécurité (sans pression, vidée, rincée, ventilée, etc.).

4.2.1 Raccordement des conduites de rinçage

Indications importantes

- A l'extraction de l'électrode, d'infimes quantités du milieu réactionnel adhèrent à la pointe de l'électrode. Au rinçage, ces substances atteignent la conduite d'écoulement. Si le milieu réactionnel est polluant (toxique, corrosif, etc.), observer impérativement les prescriptions locales concernant l'exécution d'installations des eaux usées.

- Pour l'exécution d'installations d'eau de rinçage, utilisez uniquement des matériaux résistants à la corrosion et aux produits chimiques.

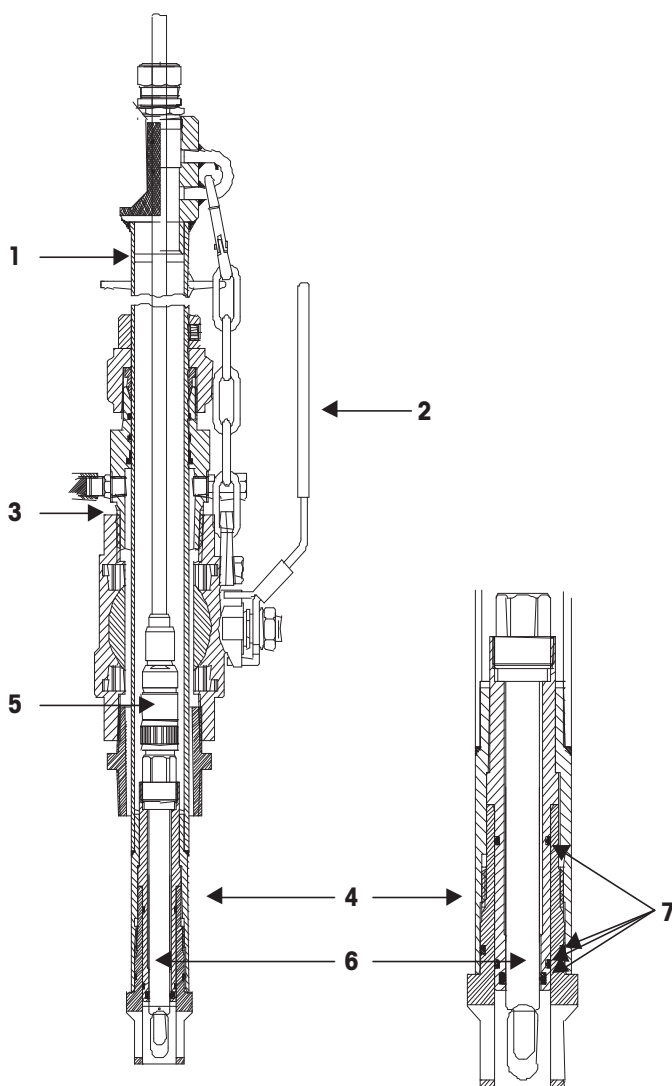
Recommandations pour l'utilisation sûre et compétente

Equiper chaque conduite de rinçage d'une vanne d'arrêt. N'ouvrir ces vannes d'arrêt qu'en position rétractée (position d'attente). A l'issue de la maintenance, refermer les vannes d'arrêt.

Installation de base

L'installation de base est destinée au nettoyage des électrodes, lorsque le support rétractable est en position d'attente. Comme accessoire optionnel, on peut se procurer des raccords Serto et Swagelok qui permettent de raccorder les conduites de rinçage. Les positionnements de l'admission et de l'écoulement d'eau n'ont pas d'influence sur le débit de rinçage.

4.2.2 Pose de l'électrode

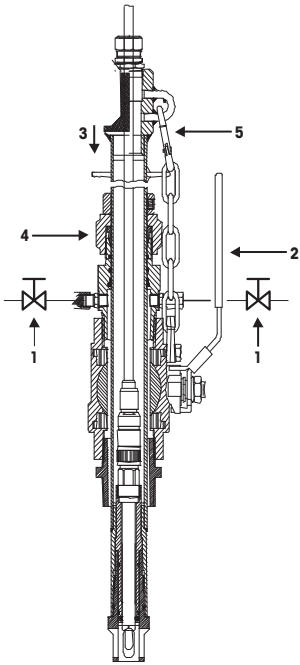


1. Retirer le tube d'immersion hors du milieu réactionnel, en position d'attente.
2. Fermer le robinet à boisseau sphérique.
3. Détacher le tube d'immersion adjacent au robinet à boisseau sphérique.
4. Dévisser le support d'électrode hors du tube d'immersion en tournant dans le sens inverse d'horloge.
5. Déconnecter le câble d'électrode.
6. Sortir l'électrode en la dévissant.
7. Au support d'électrode, vérifiez tous les joints toriques quant à l'usure.
8. Détachez le capuchon de mouillage d'avec l'électrode.
9. Introduisez précautionneusement l'électrode dans le support d'électrode et **vissez à main**.
10. Réassemblez le support rétractable.



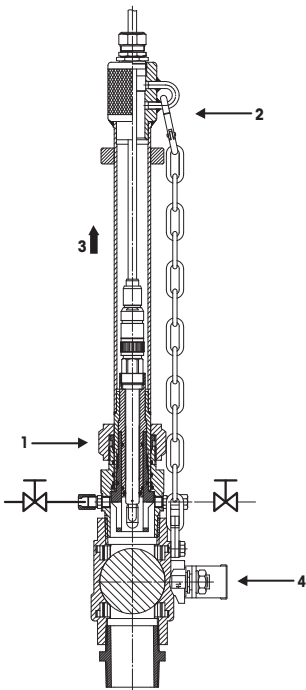
4.3 Mise en service du support rétractable

Ne pas mettre le support rétractable en service avant que tous les travaux de montage et d'installation soient terminés! Le tube d'immersion doit toujours être fixé au robinet à boisseau sphérique avec la chaîne de sécurité.



1. **Attention!** Fermez les vannes aux raccordes du compartiment de rinçage. Si non le milieu réactionnel peut être sortir quand le robinet à boisseau sphérique est ouvert.
2. Ouvrez le robinet à boisseau sphérique.
3. Introduisez précautionneusement le tube d'immersion en position de mesure.
4. Assurez le tube d'immersion dans cette position; pour ce faire, serrez l'écrou-raccord.
5. Raccourcissez la chaîne de sécurité à sa longueur la plus petite possible.

4.4 Mise hors service



1. Deserrez l'écrou-raccord.
2. Tenez le tube d'immersion et séparez la chaîne de sécurité.
3. Mettre le support rétractable en position d'attente.
4. Fermez le robinet à boisseau sphérique.
5. **Attention!** Avant de détacher le support rétractable mettez l'installation en condition de sécurité (sans pression, vidée, rincée, ventilée, etc.).

5 Entretien

5.1 Consignes importantes concernant l'entretien

Attention! Seul le personnel professionnel est autorisé à effectuer des travaux de maintenance et d'entretien au support rétractable.



Attention! Le milieu réactionnel peut, sous certaines conditions, polluer l'environnement ou porter atteinte à votre santé (produit toxique, corrosif, etc.). Pour cette raison, avant de commencer les travaux d'entretien, mettez l'installation en condition de sécurité.

- Durant les travaux d'entretien, l'électrode et le support rétractable doivent rester propres.
- Avant de déposer le compartiment de réaction d'avec le support rétractable, assurez-vous que la conduite/ compartiment équipé du support rétractable est bien vide.
- De plus amples informations concernant la maintenance des électrodes et des câbles figurent dans les instructions d'utilisation relatives aux produits concernés.

5.2 Remplacement des joints qui sont en contact avec le milieu réactionnel

En principe, pour raisons de sécurité, les joints qui entrent en contact avec le milieu réactionnel doivent être remplacés une fois par an au moins.

En cas de milieu agressif, remplacer les joints à de plus courts intervalles.



Attention!

- Ne désassembler le support rétractable pour les travaux de maintenance et de réparation que s'il est déposé.
- Assurez-vous de la qualité irréprochable des joints, vérifiez-les quant aux endommagements et assurez-vous de leur bonne position de pose.

6 Dépannage

Ce chapitre vous donne une vue d'ensemble des dérangements qui peuvent survenir au cours de l'exploitation du support rétractable, leurs causes et les indications concernant le dépannage.

Panne	Cause	Remède
Le tube d'immersion ne peut pas être introduit.	Le robinet à boisseau sphérique n'est pas complètement ouvert.	Vérifier la position du robinet à boisseau sphérique.
Le tube d'immersion ne peut pas être retiré.	L'écrou d'arrêt n'est pas desserré.	Vérifiez l'écrou d'arrêt.
Le tube d'immersion ne peut pas être complètement retiré.	Le robinet à boisseau sphérique n'est pas complètement ouvert.	Vérifier la position du robinet à boisseau sphérique.
Le milieu réactionnel fuit par le compartiment de rinçage.	Le compartiment de rinçage n'est pas fermé.	Fermer le compartiment de rinçage au moyen de la vanne ou de l'obturateur.
Présence de liquide réactionnel dans le tube d'immersion.	Les joints du support d'électrode sont inétanches.	Remplacer les joints (voir pièces de rechange).

7 Spécifications du produit

7.1 Ampleur de la livraison standard

Le support rétractable InTrac® 787 est livré avec équipement suivant:

- tube d’immersion (100 mm ou 300 mm)
- support d’électrode
- robinet à boisseau sphérique
- chaîne de sécurité
- raccord fileté 1½" NPT
- écrou pour la fixation du tube d’immersion

7.2 Caractéristiques techniques

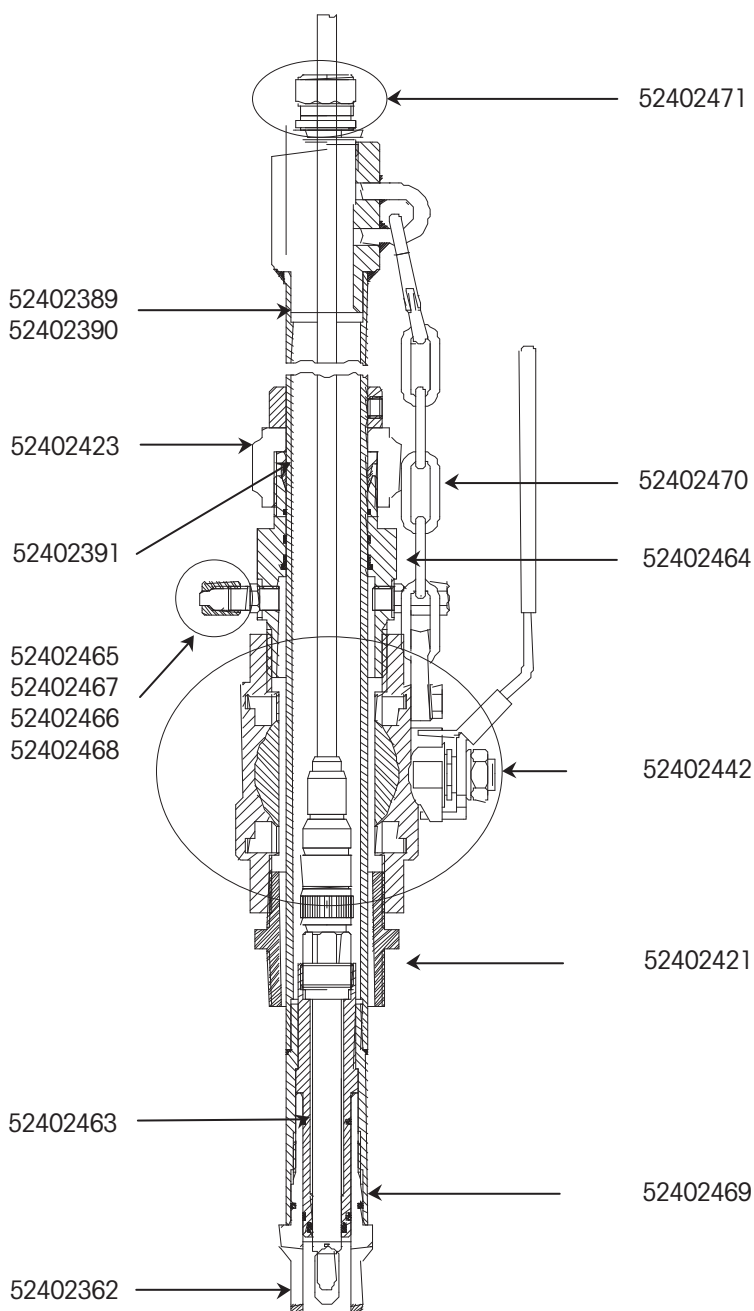
Dimensions	voir dessin
Pression max. de processus*	9 bars
Température max.*	140 °C
Profondeur d’immersion	variable de 0 à 100 (300) mm
Matériau mouillé	support rétr.: 1.4435 (316L) acier inox (3.1B)
	joint torique: Viton®
	robinet: sphère 1.4401 (316) boîtier 1.4408 (CF-8M) joint PTFE
robinet à boisseau sphérique	DN40, 1.5" NPT

* remarquez les spécifications de l’électrode

7.3 Liste des pièces de rechange

No. de cmde.	Description
52402422	robinet à boisseau sphérique DN40-1 1/2" NPT 3.1B
52402421	raccord double 1 1/2" NPT 3.1B
52402403	jeu de joints toriques InTrac® 787 Vi(5) compl.
52402463	jeu de joints toriques électrodes. 787 Vi
52402464	chambre de rinçage 787 compl.
52402469	support d'électrode 787 compl. 120 mm
52402470	chaîne 787 compl.
52402471	écrou de câble 787 compl.
52402465	jeu de raccords 787 SERTO 6 mm
52402467	jeu de raccords 787 SWAGEL. 6 mm
52402466	jeu de raccords 787 SERTO 6.35 mm
52402468	jeu de raccords 787 SWAGEL. 6.35 mm
52402402	InTrac® 787/300
52402401	InTrac® 787/100
52402389	tube d'immersion 787 compl. 100 mm 3.1B
52402390	tube d'immersion 787 compl. 300 mm 3.1B
52402362	cage protectrice 787/120mm 3.1B
52402404	flasque C40 DIN 2566 1 1/2" NPT
52402423	écrou de tension 787
52402391	anneau de serrage 787
52402481	instructions d'utilisation InTrac® 787 (d,e,f)
52402504	Flyer InTrac® 787 (d)
52402505	Flyer InTrac® 787 (e)
52402506	Flyer InTrac® 787 (f)

InTrac® 787



- A** Mettler-Toledo Ges.m.b.H., Südrandstrasse 17, AT - 1230 Wien
Phone +43 1 604 19 80, Fax +43 1 604 28 80
- BR** Mettler-Toledo Ind. e Com. Ltda.
Alameda Araguaia, 451 - Alphaville, BR - 06455-000 Barueri / SP
Phone +55 11 4166 74 44, Fax +55 11 4166 74 01
- CH** Mettler-Toledo (Schweiz) AG, Im Langacher, Postfach, CH - 8606 Greifensee
Phone +41 44 944 45 45, Fax +41 44 944 45 10
- D** Mettler-Toledo GmbH, Prozeßanalytik, Ockerweg 3, D - 35396 Gießen
Phone +49 641 507 333, Fax +49 641 507 397
- F** Mettler-Toledo
Analyse Industrielle S.A.S., 30, Boulevard Douaumont, BP 949, F - 75829 Paris Cedex 17
Phone +33 1 47 37 06 00, Fax +33 1 47 37 46 26
- J** Mettler-Toledo K.K.
Process Division, 6F Ikenohata Nisshoku Bldg., 2-9-7, Ikenohata, Taito-ku
JP - 110-0008 Tokyo
Phone +81 3 5815 5606, Fax +81 3 5815 5626
- CN** Mettler-Toledo Instruments (Shanghai) Co. Ltd.
589 Gui Ping Road, Cao He Jing, CN - 200233 Shanghai
Phone +86 21 64 85 04 35, Fax +86 21 64 85 33 51
- UK** Mettler-Toledo LTD, 64 Boston Road, Beaumont Leys, GB - Leicester LE4 1AW
Phone +44 116 235 7070, Fax +44 116 236 5500
- USA** Mettler-Toledo Ingold, Inc., 36 Middlesex Turnpike, Bedford, MA 01730, USA
Phone +1 781 301 8800, Freephone +1 800 352 8763, Fax +1 781 271 0681