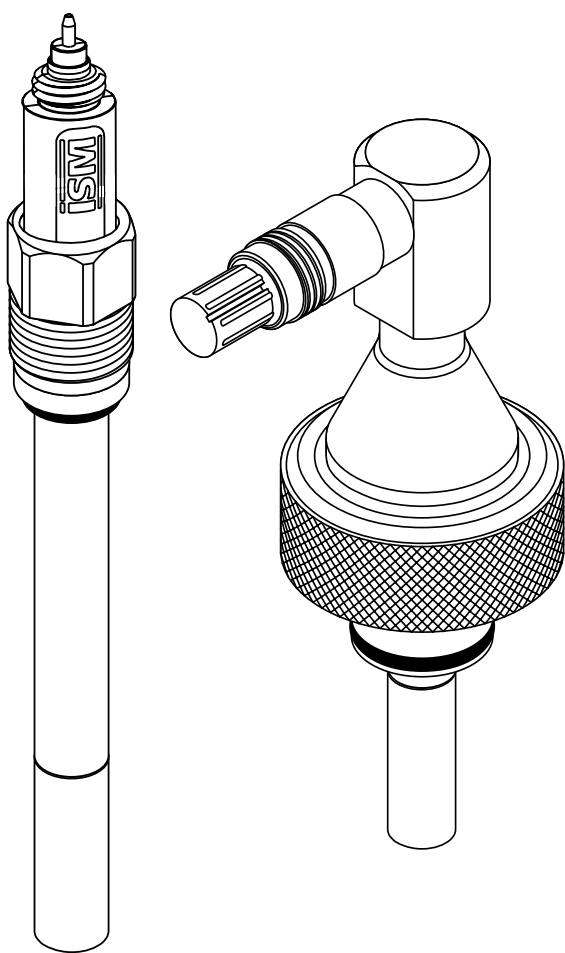


InPro 6800 Series O₂ Sensors

Instruction manual Bedienungsanleitung Instructions d'utilisation



InPro 6800 Series O₂ Sensors
52 200 953 C

English**Page 3****Deutsch****Seite 40****Français****Page 76**

InPro 6800 Series O₂ Sensors

Instruction manual

InDip, InFit, InPro, ISM, and InTrac are trademarks of the METTLER TOLEDO Group.

Contents

1	Introduction.....	5
2	Important notes	6
2.1	Notes on operating instructions	6
2.2	Intended use	6
2.3	Safety instructions.....	7
2.4	Environmental protection	9
2.5	Examples of some typical applications.....	9
2.6	Use in Ex-zones	10
2.7	Ex-classification ATEX	11
2.7.1	Introduction.....	11
2.7.2	Rated data	11
2.7.3	Special conditions	12
2.8	Ex-classification FM approved.....	13
2.8.1	Introduction.....	13
2.8.2	Rated data	14
2.8.3	Special conditions	14
2.8.4	Applied standards:.....	15
3	Product description.....	16
3.1	General information	16
3.2	Principle.....	16
3.3	Scope of delivery	16
4	Installation.....	19
4.1	Mounting the sensor	19
4.2	Connection	20
4.2.1	Connecting the InPro 6800 to a cable.....	20
4.2.2	Connecting the VP or AK9 cable to the transmitter.....	20
5	Operation.....	21
5.1	Start-up and polarizing.....	21
5.2	Calibration	22
5.2.1	Purpose of calibration	22
5.2.2	What you have to know for calibration	22
5.2.3	Single point calibration.....	23
5.2.4	Dual point calibration.....	24
6	Maintenance	25
6.1	Inspection of the sensor.....	25
6.1.1	Visual inspection	25
6.1.2	Testing the sensor with the METTLER TOLEDO O ₂ Sensor - Master InPro 6800	26
6.1.3	Testing the sensor via a transmitter	27
6.2	Changing the electrolyte, the membrane body or the interior body	28
7	Storage.....	31
8	Product specification	31
8.1	Certificates	31
8.2	Specifications.....	32
9	Ordering information	33
9.1	Sensors.....	33
9.2	Accessories.....	33
9.3	Spare parts	34
9.4	Recommended transmitters.....	34
9.5	Recommended housings	34
10	Theory of the polarographic sensor.....	35
10.1	Introduction.....	35
10.2	Principle of the design of an oxygen electrode.....	36
10.3	Parameters determining current	36
10.4	Polarization voltage	37
10.5	Temperature	37
10.6	Dependence on flow	38
10.7	Oxygen partial pressure – oxygen concentration.....	39

1 Introduction

Thank you for buying the **InPro™ 6800 sensor from METTLER TOLEDO.**

The construction of the InPro 6800 sensors employs leading edge technology and complies with safety regulations currently in force. Notwithstanding this, im proper use could lead to hazards for the user or a thirdparty, and/or adverse effects on the plant or other equipment. **Therefore, the operating instructions must be read and understood by the persons involved before work is started with the sensor.**



The instruction manual must always be stored close at hand, in a place accessible to all people working with the InPro 6800.

If you have questions, which are not or insufficiently answered in this instruction manual, please contact your METTLER TOLEDO supplier. They will be glad to assist you.

2 Important notes

2.1 Notes on operating instructions

These operating instructions contain all the information needed for safe and proper use of the oxygen sensor. The operating instructions are intended for personnel entrusted with the operation and maintenance of the sensors. It is assumed that these persons are familiar with the equipment in which the sensor is installed.

Warning notices and symbols

This instruction manual identifies safety instructions and additional information by means of the following symbols:



This symbol draws attention to **safety instructions and warnings of potential danger** which, if neglected, could result in injury to persons and/or damage to property.



This symbol identifies additional **information and instructions** which, if neglected, could lead to defects, inefficient operation and possible loss of production.

2.2 Intended use

METTLER TOLEDO InPro 6800 sensors are intended solely for inline measurement of the oxygen partial pressure in liquids and gases, as described in this instruction manual.

Any use of these sensors which differs from or exceeds the scope of use described in this instruction manual will be regarded as inappropriate and incompatible with the intended purpose.

The manufacturer/supplier accepts no responsibility whatsoever for any damage resulting from such improper use. The risk is borne entirely by the user/operator.

Other prerequisites for appropriate use include:







- compliance with the instructions, notes and requirements set out in this instruction manual.
- acceptance of responsibility for regular inspection, maintenance and functional testing of all associated components, also including compliance with local operational and plant safety regulations.
- compliance with all information and warnings given in the documentation relating to the products used in conjunction with the sensor (housings, transmitters, etc.).
- observance of all safety regulations governing the equipment in which the sensor is installed.

- correct equipment operation in conformance with the prescribed environmental and operational conditions, and admissible installation positions.
- consultation with METTLER TOLEDO Process Analytics in the event of any uncertainties.

2.3 Safety instructions



- The plant operator must be fully aware of the potential risks and hazards attached to operation of the particular process or plant. The operator is responsible for correct training of the workforce, for signs and markings indicating sources of possible danger, and for the selection of appropriate, state-of-the-art instrumentation.
- It is essential that personnel involved in the commissioning, operation or maintenance of these sensors or of any of the associated equipment (e.g. housings, transmitters, etc.) be properly trained in the process itself, as well as in the use and handling of the associated equipment. This includes having read and understood this instruction manual.
- The safety of personnel as well as of the plant itself is ultimately the responsibility of the plant operator. This applies in particular in the case of plants operating in hazardous zones.
- The oxygen sensors and associated components have no effect on the process itself and cannot influence it in the sense of any form of control system.
- Maintenance and service intervals and schedules depend on the application conditions, composition of the sample media, plant equipment and significance of the safety control features of the measuring system. Processes vary considerably, so that schedules, where such are specified, can only be regarded as tentative and must in any case be individually established and verified by the plant operator.
- Where specific safeguards such as locks, labels, or redundant measuring systems are necessary, these must be provided by the plant operator.
- A defective sensor must neither be installed nor put into service.
- Only maintenance work described in this operating instruction may be performed on the sensors.
- When changing faulty components, use only original spare parts obtainable from your METTLER TOLEDO supplier (see spare parts list, «Section 9.3»).

- No modifications to the sensors and the accessories are allowed. The manufacturer accepts no responsibility for damages caused by unauthorised modifications. The risk is borne entirely by the user.
- When using cables for sensor connection not supplied and recommended by the manufacturer the following standards need to be considered:
 - US National Electrical Code® (ANSI/NFPA 70 [NEC®]), where applicable.
 - Canadian Electrical (CE) Code® (CEC Part 1, CAN/CSA-C22.1), where applicable.
- For guidance on US installations, see ANSI/ISA-SP12.06.01, Installation of Intrinsically Safe Systems for Hazardous (Classified) Locations.
- Control room equipment connected to intrinsically safe associated apparatus in the US should not use or generate more than the specified Um of the associated apparatus.
- Care must be taken during installation to avoid impacts or friction that could create an ignition source.
- Tampering and replacement with non-factory components may adversely affect the safe use of the system.
- Insertion or withdrawal of removable electrical connectors or modules is to be accomplished only when the area is known to be free of flammable vapors.
-  **Warning** – Intrinsically safe apparatus can be a source of ignition if internal spacings are shorted or connections opened.
-  **Warning** – Do not open when an explosive atmosphere is present.
-  **Warning** – Substitution of components may impair intrinsic safety.
-  **Warning** – Substitution of components may impair suitability of the equipment.
-  **Warning** – For connection only to non-flammable processes.
-  **Warning** – To maintain the enclosure IP 66 rating, the connector must be fully engaged.

2.4 Environmental protection

Waste electrical products should not be disposed of with household waste. Please recycle where facilities exist. Check with your Local Authority or retailer for recycling advice.



2.5 Examples of some typical applications

Below is a list of examples of typical fields of application for the oxygen sensors. This list is not exhaustive.

Measurement in liquids:

- Fermentation
- Yeast propagation
- Wort aeration
- Spring water conditioning
- Storage and processing of fruit juices

Measurement in gases:

- Monitoring of the oxygen limit value to protect products from oxidation.
- Monitoring of the oxygen limit value in the exhaust air of fermentation vessels.
- Monitoring of oxygen limit values during inertization processes.
- Measurement of oxygen concentrations in process gas mixtures.

2.6 Use in Ex-zones



Attention!

For an installation in Ex-zones please read the guidelines following hereafter:



Ex-classification ATEX:

⚡ II 1/2G Ex ia IIC T6...T3 Ga/Gb

⚡ II 1/2D Ex ia IIIC T69 °C...T161 °C Da/Db

Number of the test certificate:

SEV 14 ATEX 0169X

IECEX SEV 14.0026X

CML 22 UKEX 2212X

Ex-classification FM approved:



IS / I, II, III / 1/ ABCDEFG / T6 Ta = 60 °C
- 53 800 002; Entity

Project ID: 3021227

FM certificate number: FM16US0034X

FM18CA0021X

2.7 Ex-classification ATEX

2.7.1 Introduction

According to Directive 2014/34/EU (ATEX 114)¹⁾ Appendix I, InPro 6XXX*/*/*/* oxygen sensors are devices group II, category 1/2G and according to RL 99/92/EG (ATEX 137)²⁾ may be used in zones 0/1 or 1/2 or 1 or 2 and gas groups IIA, IIB and IIC that are potentially explosive due to combustible substances in above stated temperature classes.

For use / installation, the requirements of EN 60079-14 must be observed.

According to Directive 2014/34/EU (ATEX 114)¹⁾ Appendix I, InPro6XXX*/*/*/* oxygen sensors are devices group II, category 1/2D and according to RL 99/92/EG (ATEX 137)²⁾ may also be used in zones 20/21 or 21 or 22 that contain combustible dusts.

The digital sensor circuit is part of a common intrinsically safe system and is for operation connected to a separately certified transmitter.

The digital sensor circuit as part of an intrinsically safe system is isolated from the not-intrinsically safe electric circuits up to a maximum rated voltage of 375 V and from grounded parts up to a maximum rated voltage of 30 V.

2.7.2 Rated data

Measuring circuit

Fail-safe ignition protection class Ex ia IIC only for connection to a certified fail-safe circuit.

Analog O₂ oxygen sensor maximum values

$$U_i \leq 16 \text{ V}$$

$$I_i \leq 190 \text{ mA}$$

$$P_i \leq 200 \text{ mW}$$

$$L_i = 0 \text{ (effective internal inductance)}$$

$$C_i = 900 \text{ pF (effective internal capacitance)}$$



Note: The above maximum values are each the total of all individual circuits of the associated intrinsically safe power supply and transmitter.

¹⁾ For UK statutory Requirements SI 2016 No. 1107

²⁾ For UK regulations 7 and 11 of the Dangerous Substances and Explosive Atmospheres Regulations 2002 (DSEAR)

2.7.3 Special conditions

- The relationship between the maximum permissible ambient or media temperature and temperature class, for category 1G applications, zone 0, is shown in the following table:

Temperature class	Max. ambient or media temperature
T 6	68 °C
T 5	80 °C
T 4	108 °C
T 3	160 °C

- The relationship between the maximum permissible ambient or media temperature and temperature class, for category 1D applications, zone 20, is shown in the following table:

Temperature class	Max. ambient or media temperature
T 69 °C	68 °C
T 81 °C	80 °C
T 109 °C	108 °C
T 161 °C	160 °C

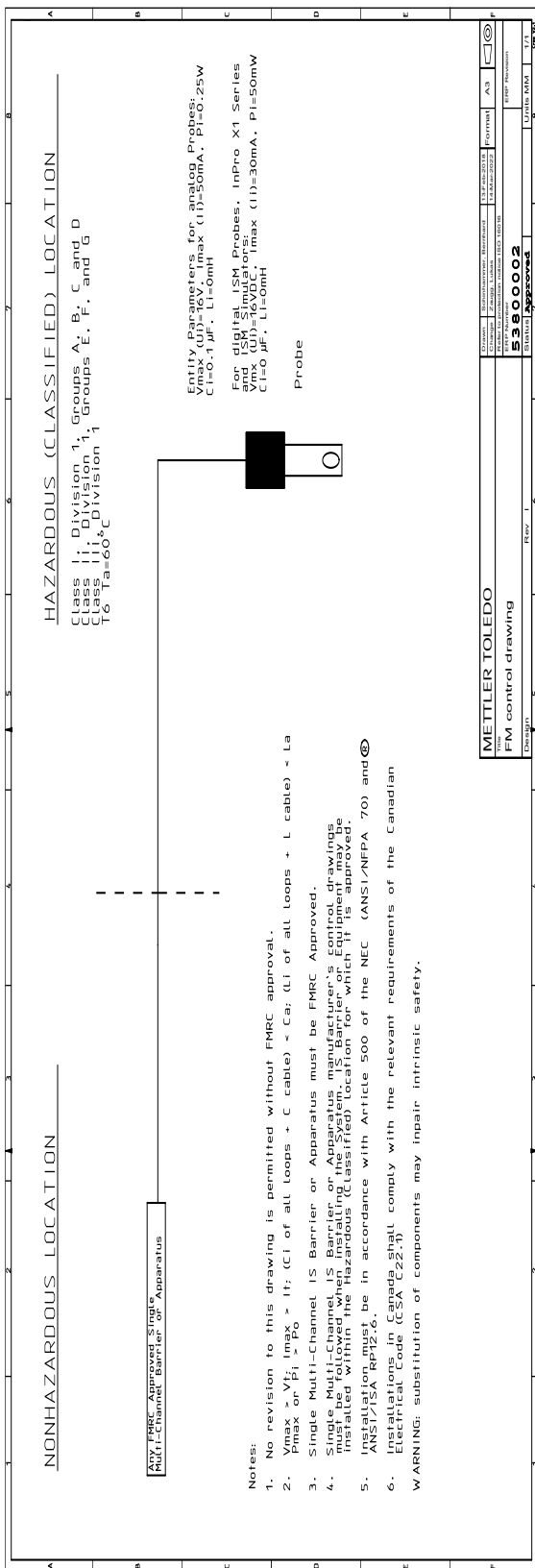
- The capacitance and inductance of the connecting cable has to be considered.
- The oxygen sensor type InPro 6XXX can be used in / with the fittings InFit™ 76*-*** or InTrac™ 7**-***, or in / with other suitable fittings in potentially explosive areas.
- The metal body of the oxygen sensors, or the fittings InFit 76*-*** or InTrac 7**-***, or other appropriate fitting is optionally included in the routine pressure test of the system.
- The independent fitting used for installation of oxygen sensor must be conductively connected <to the equipotential bonding system.

2.8 Ex-classification FM approved



2.8.1 Introduction

The following FM control drawing and the standards listed in section 2.8.4 must be observed, where applicable:



2.8.2 Rated data

For rated data please observe section 2.7.2.

2.8.3 Special conditions

In type of protection intrinsically safe apparatus, the analytical probes (InPro 6000 Series with InFit 76X/Y and InTrac 7XX/YY Series Housings) equipment is designated with the following specific conditions of use.

1. The dissolved oxygen sensor shall be installed in compliance with the enclosure, mounting, spacing and segregation requirements of the ultimate application, including a tool removable cover, and is suitable for use with FM Approved InFit 76X/Y and InTrac 7XX/YY Series housings.
2. Process temperature no greater than +130 °C.
3. Maximum permissible working pressure is 12 bar (174 psig).
4. Potential Electrostatic Charging Hazard – To prevent the risk of electrostatic sparking, the non-metallic surface should only be cleaned with a damp cloth.
5. Enclosures containing titanium constitute a potential risk of ignition by impact or friction. Care must be taken into account during installation and use to prevent impact or friction.

2.8.4 Applied standards:

United States Standards

Title	Number	Issue Date
Approval Standard for Electrical Equipment for Use in Hazardous (Classified) Locations – General Requirements.	FM Class 3600	2022
Approval Standard for Intrinsically Safe Apparatus and Associated Apparatus for Use in Class I, II & III, Division 1, Hazardous (Classified) Locations.	FM Class 3610	2021
Approval Standard for Electrical Equipment for Measurement, Control and Laboratory Use.	FM Class 3810	2021
Explosive Atmospheres – Part 0: Equipment – General Requirements.	ANSI/UL 60079-0:2020	2020
Explosive Atmospheres – Part 11: Equipment Protection by Intrinsic Safety "i".	ANSI/UL 60079-11:2018	2018
Safety Requirements for Electrical Equipment for Measurement, Control, and Laboratory Use – Part 1: General Requirements.	ANSI/UL 61010-1:2018	2018

Canadian Standards

Title	Number	Issue Date
Explosive Atmospheres – Part 0: Equipment – General Requirements.	CAN/CSA-C22.2 No. 60079-0:2019	2019
Explosive Atmospheres – Part 11: Equipment Protection by Intrinsic Safety "i".	CAN/CSA-C22.2 No. 60079-11-14:R2018	R2018
Safety Requirements for Electrical Equipment for Measurement, Control, and Laboratory Use – Part 1: General Requirements.	CAN/CSA-C22.2 No. 61010-1-12:R2017	R2017

3 Product description

3.1 General information

The **sensor InPro 6800** with integrated temperature probe is used for oxygen measurement.

The sensor is **sterilizable** and **autoclavable** and **compatible with CIP** (cleaning in place).

InPro 6800 sensors with ISM™ functionality offer Plug and Measure as well as enhanced diagnostics features. ISM sensors are available with K8S (fully digital) or VP connector.

3.2 Principle

Here is a short summary of the principle of polarographic measurement on which this sensor is based (Clark 1961).

- a) The Clark polarographic sensor basically consist of a working electrode (cathode), a counter/reference electrode (anode), and an oxygen permeable membrane which separates the electrodes from the sample medium.
- b) The transmitter supplies a constant polarization voltage to the cathode, needed to reduce oxygen.
- c) The oxygen molecules which migrate through the permeable membrane are reduced at the cathode. At the same time, oxidation takes place at the anode and oxidized anode metal (silver) is liberated as silver ions into the electrolyte. The electrolyte closes the electric circuit between anode and cathode (ion conductivity).
- d) The current produced by the reactions described above is measured by the transmitter and is proportional to the partial pressure of oxygen (pO₂) in the sample medium.

Please refer to Section „10 Theory of the polarographic sensor“ for further information.

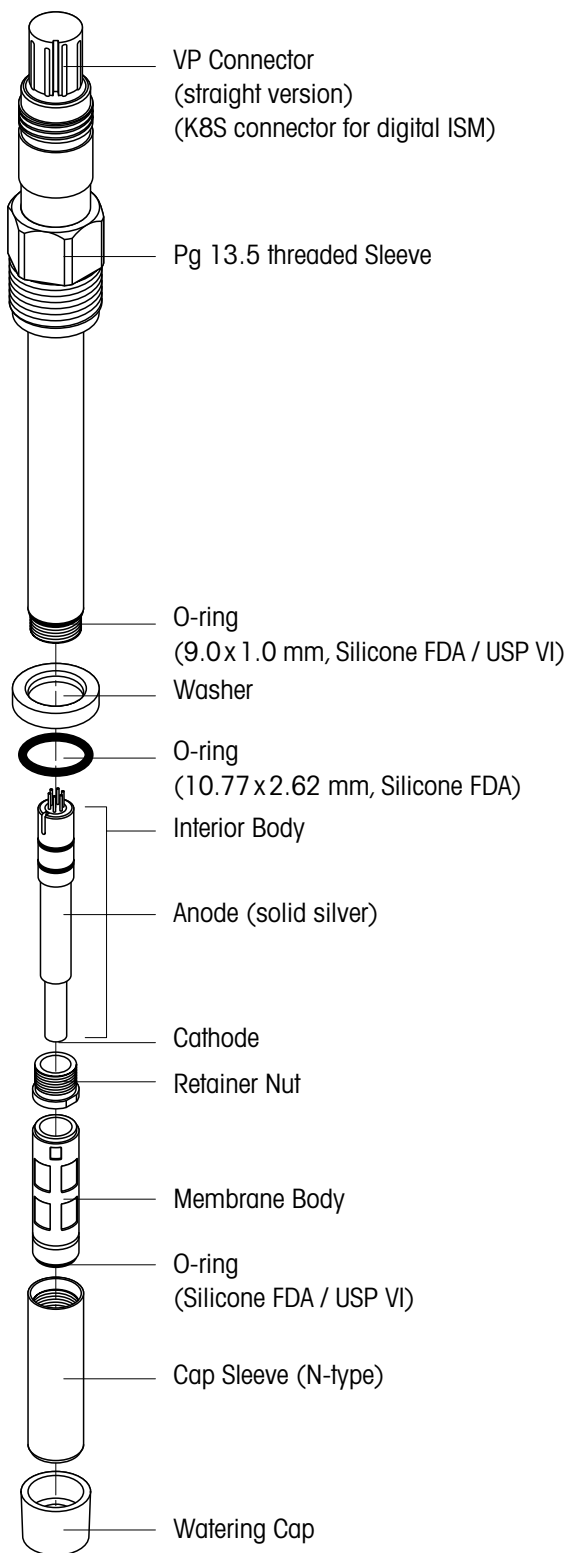
3.3 Scope of delivery

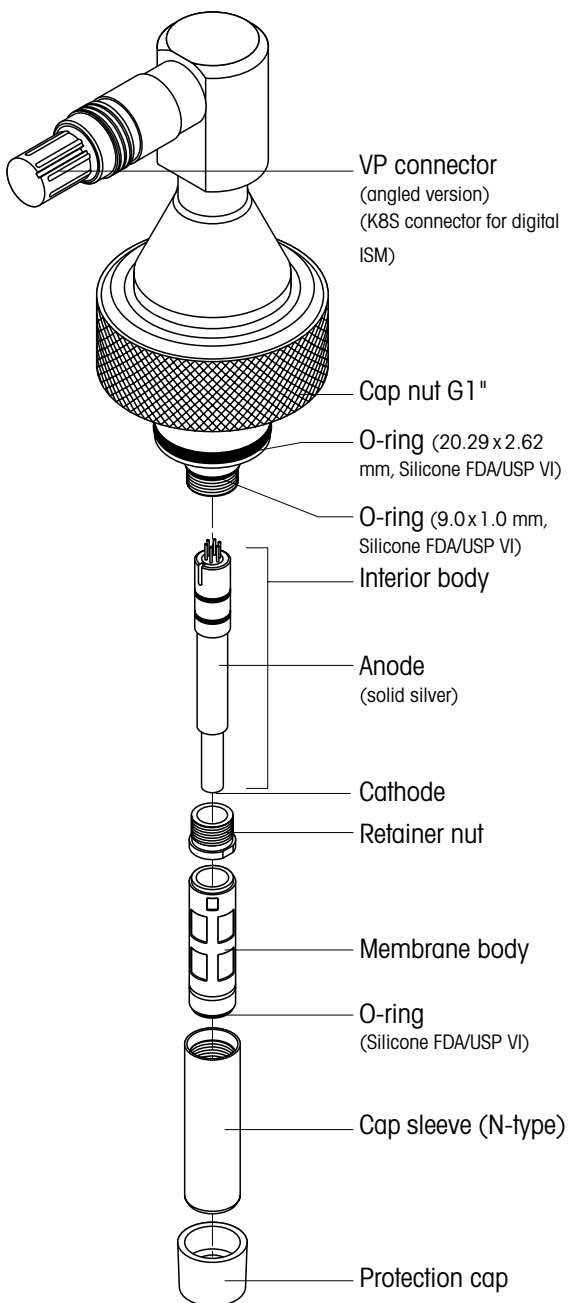
Each sensor is supplied fully assembled and factory-tested for correct function together with:

- a quality control certificate
- inspection certificates 3.1 (complying with EN 10204)

See electrolyte order details at section „9.3 Spare parts“

Equipment features

12 mm Sensor

25 mm Sensor

4 Installation

4.1 Mounting the sensor



Important! Remove the green protective cap before mounting the sensor.

Mounting the sensor in a housing

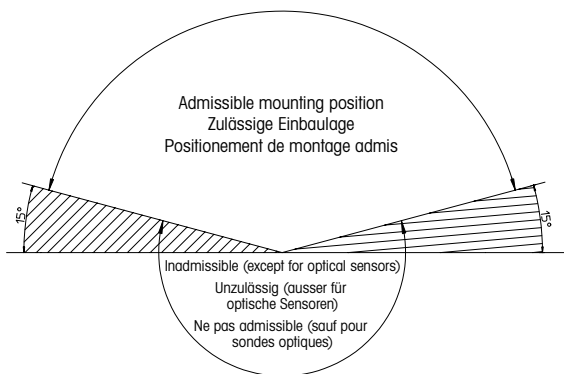
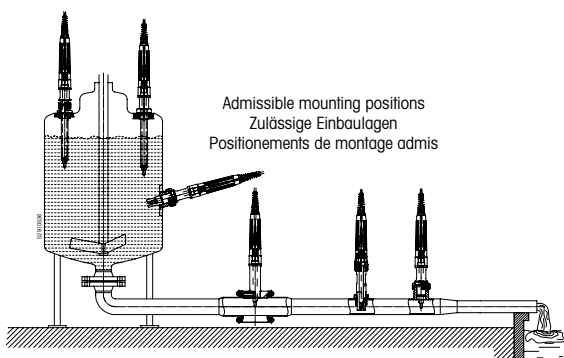
Please refer to the instruction manual of your housing explaining on how to mount the sensor in place.

Mounting the sensor directly on a pipe or a vessel

The sensor can be mounted vertically or in an inclined position. In the case of inclined mounting, the angle of the housing must be equal to or greater than 15° above the horizontal.



Caution! Installation outside the admissible range of mounting positions is not allowed, otherwise correct operation of the sensors / electrodes may be impaired.

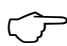



The **12 mm sensors** can be mounted directly through a socket with inside thread Pg 13.5 and securely tightened via the Pg 13.5 threaded sleeve.

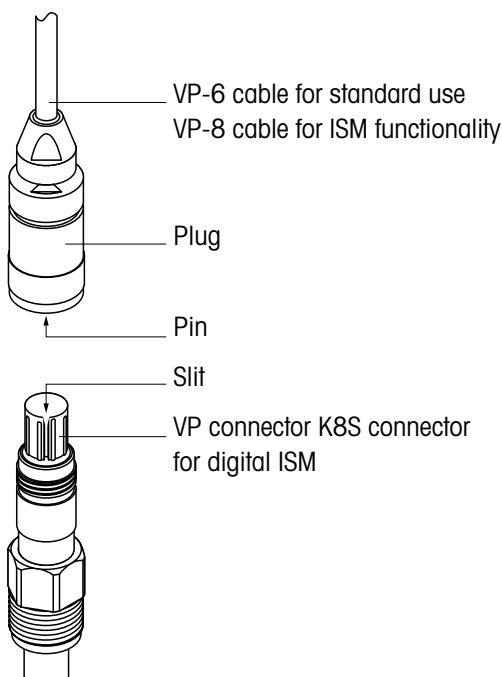
The **25 mm sensors** can be mounted directly through a standard weld-in socket or the safety weld-in socket from METTLER TOLEDO.

4.2 Connection

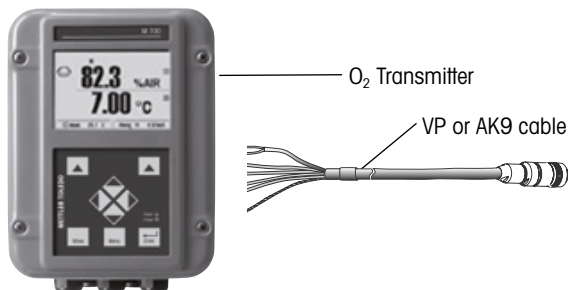
4.2.1 Connecting the InPro 6800 to a cable


 Sensors with ISM functionality require the use of a special AK9 cable as well as an ISM compatible O₂ transmitter. The sensor is connected to the transmitter via a AK9 cable. The AK9 cable ensures a secure connection between the transmitter and the sensor under harsh industrial conditions. The robust watertight IP68 connector housing guarantees maximum process safety. If you have chosen to use a sensor with digital ISM functionality, the K8S connector will incorporate a preamplifier. It is absolutely necessary to protect this electronic component against any electrical charge


 **Do not touch the sensor at the VP connector plug.** To connect the VP cable to the sensor align the slit of the VP connector with the pin in the plug. Then tightly screw the plug to fasten the two parts.



4.2.2 Connecting the VP or AK9 cable to the transmitter



 **Note:** Cable assignment can be found in the METTLER TOLEDO VP cable instruction manual.

 **Note:** For connecting the cable to the terminals of the transmitter, please refer to the instructions given in the METTLER TOLEDO transmitter manual.

5 Operation



Attention! Before using the sensors for the first time, the electrolyte should be replaced (see «Chapter 6.2»). Due to possible adverse conditions during transport and storage (e.g. airfreight; pressure and temperature variations), the quality of the electrolyte may become impaired. Poor electrolyte quality can lead to erroneous measurement values.

5.1 Start-up and polarizing



Attention! The protective cap at the tip of the sensor must be removed before putting the sensor into operation.

When the system is operated for the first time or if the sensor has been disconnected from the voltage source (transmitter or O₂ Sensor-Master) for longer than 5 minutes, the sensor has to be polarized prior to calibration by connecting it to the operating O₂ transmitter or to a sensor master. After 6 hours, the sensor is fully polarized and ready for operation.

A shorter polarization period is sufficient if the sensor has been disconnected for only a few minutes. The following table serves to establish the correct polarization time in relation to the depolarization time.

Depolarization time ¹⁾ t_{depol} [Min.]	Minimum required polarization time ²⁾ [Min.]
$t_{\text{depol}} > 30$	360
$30 > t_{\text{depol}} > 15$	$6 * t_{\text{depol}}$
$15 > t_{\text{depol}} > 5$	$4 * t_{\text{depol}}$
$t_{\text{depol}} < 5$	$2 * t_{\text{depol}}$

¹⁾ Depolarization time:

Time span in which the polarization voltage is cut off from the sensor. This is the case during:

- change of electrolyte
- change of membrane body
- the time the cable is disconnected or no transmitter or sensor master is connected to the cable

²⁾ Polarization time:

Time span during which the sensor is under a polarization voltage.



Attention! Setting of the polarization voltage on the transmitter for correct measurements:

- Standard applications (e.g. measurement in biotechnology): **– 675 mV**
- Measurement of permanently low oxygen concentrations < 500 ppb in the presence of volatile acidic components (e.g. carbon dioxide during measurements in breweries): **– 500 mV**




Important! To ensure the supply of the correct polarization voltage the transmitter must be set accordingly.

5.2 Calibration


5.2.1 Purpose of calibration

Each oxygen sensor has its own individual slope and own individual zero point. Both values are subject to change, for example, through electrolyte consumption or after exchange of electrolyte or membrane body. To ensure high measurement accuracy of the sensor, a calibration must be carried out after each change of electrolyte or membrane. Prior to calibration, the sensor has to be polarized for at least 6 hours.

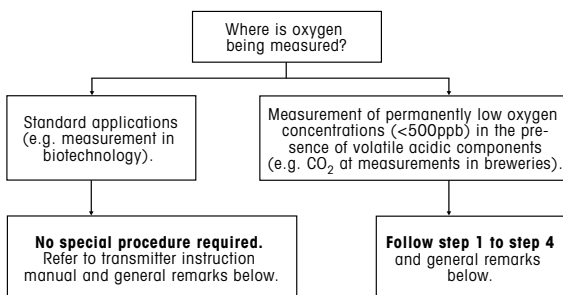
 **A zero point calibration is only advisable if very high accuracy is required at low oxygen concentrations.**

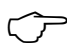
 **To check if your sensor needs a recalibration, you may dry it and take it in the air to check that the reading is close to 100%. If not, then the sensor needs a new calibration.**


5.2.2 What you have to know for calibration


 **Attention!** If dissolved oxygen is being measured at low concentrations (< 500 ppb) in the presence of volatile acidic components (e.g. carbon dioxide (CO₂) measurements in breweries), the calibration procedure described below should be followed in order to achieve the best measurement performance.


No special calibration procedure is required if dissolved oxygen is being measured in standard applications (e.g. measurement in biotechnology).




 **First step:** Adjust the transmitter polarization voltage to – 675 mV. Detailed information is given in the transmitter instruction manual.

 **Second step:** After adjusting the polarization voltage to – 675 mV, equilibration time is required. Wait for about 5 minutes before carrying out step 3.

 **Third step:** Perform calibration according to the transmitter' instruction manual.

 **Fourth step:** Adjust the transmitter polarization voltage back to – 500 mV.

 **Steps 1 to 4** can be accomplished automatically if you use the M 700 transmitter. Thus the routine can be minimized to a few keystrokes. In addition the M 700 transmitter must be equipped with the software function SW-700-011 «high CO₂ compensation». Please ask your local METTLER TOLEDO distributor.

 **General remarks:**

- **For calibration in air, the sensor membrane must be dry**, since adhering water drops can falsify the measured oxygen value.
- Make sure that the **oxygen saturation index** of the calibration medium is **correct and remains constant** during calibration.
- In the event of calibration in water or sample medium, the **calibration medium must be in equilibrium with the air**. Oxygen exchange between water and air is only very slow. Therefore it takes quite long time until water is saturated with atmospheric oxygen.
- For correct calibration, a minimum flow rate of the calibration medium is necessary.
- **Calibration in a fermenter should be performed after sterilization** (as sterilization may alter the sensor slope), but prior to inoculation. If it is not possible to perform the calibration after sterilization, the use of an existing membrane body that has been pre-sterilized while mounted in the sensor is recommended. A slope alteration of some per cent can occur with new membrane bodies, particularly after a first sterilization, as the tension of the membrane may be altered by the sterilization process.
- Make sure that all other parameters, such as temperature and pressure, are constant.

For continuous applications, we recommend **periodic recalibration in line with your requirements on accuracy, the type of process in operation and your own experience**. The frequency of the need for recalibration depends very much on the specific application, and therefore appropriate intervals cannot be exactly defined here.

5.2.3 Single point calibration

By carrying out a single point calibration, the factual slope of the sensor can be established. The calibration medium can be water with known oxygen saturation index (e.g. air-saturated water) or air with known water-vapor saturation (e.g. water-vapor saturated air).

After the sensor signal has stabilized, the complete measuring system can then be calibrated to the 100 % value of the desired measurable variable, e.g. 100 % air,

20.95 % O₂, or 8.26 ppm at 25 °C (77 °F) and normal pressure (see instruction manual for the transmitter).

Single point calibration should be sufficient for almost all process applications.

5.2.4 Dual point calibration

By carrying out a dual point calibration both slope and zero point of the sensor can be established.



Important! In case of a **dual point calibration, always start by the zero point calibration** before calibrating the slope.

Due to the very low zero current of METTLER TOLEDO sensors, dual point calibration is normally not necessary for standard applications.

As a rule, the zero point should be adjusted to zero manually, or it is automatically performed by the transmitter (see instruction manual for the transmitter).

A zero point calibration is only advisable if very high accuracy is required at low oxygen concentrations.



Attention! Incorrect zero point calibration is a frequent source of measurement error. For correct calibration, we recommend the use of nitrogen gas or other oxygen-free medium with a level of purity of at least 99.995 %.

After the sensor signal has stabilized (after 20...30 minutes), the sensor can be calibrated through the relevant transmitter to the 100 % value of the desired measurable variable, e.g. 0 % air, 0.0 % O₂, or 0.0 ppm (see instruction manual for the transmitter).

6 Maintenance

6.1 Inspection of the sensor

6.1.1 Visual inspection

To check your sensor, we recommend the following procedure:

1. The contacts of the connector must be dry. Moisture, corrosion and dirt in the connector can lead to false readings.
2. Check the cable for buckling, brittle areas or ruptures.
3. Before calibration always examine the membrane foil optically for signs of damage. The foil must be intact and clean. Dirty membranes should be wiped clean using a soft, moist tissue.



Note: An undulated membrane has no influence on the sensor performance, assuming the membrane is intact.

4. The membrane body must be replaced if the sensor has too long a response time, the reading is unstable or subject to drift, and if the sensor cannot be calibrated or the membrane shows sign of mechanical damage.
5. Check the cathode area for discoloration, contamination or cracks in the glass. If necessary rinse with demineralized water and clean with a clean soft brush or soft paper tissue.



Attention! Do not use any cleaning agents containing alcohol. This could damage the sensor or lead to fault current.

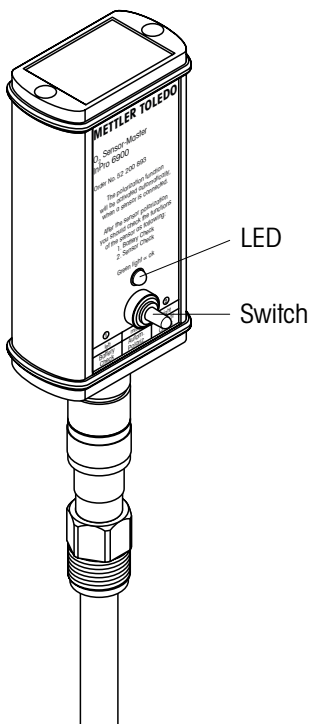


Attention! The glass body is fragile and sensitive to vibration.

6.1.2 Testing the sensor with the METTLER TOLEDO O₂ Sensor - Master InPro 6800

We recommend to use the METTLER TOLEDO O₂ Sensor-Master InPro 6800 to check the quality of your sensor as follows (not applicable for digital ISM sensors):

- Connect the sensor to the O₂ Sensor-Master.



As soon as the sensor is connected to the O₂ Sensor-Master, the polarization function is automatically activated. Please note: if the sensor was disconnected from the transmitter for longer than 5 minutes, the sensor must be polarized first (polarizing time see «Section 5.1») to get representative test results.

- **Battery Check:**
Push the switch to the left. If the battery is ok and the O₂ Sensor-Master is operational the green LED lights up. Otherwise, please consult the instruction manual of the O₂ Sensor-Master.
- **Sensor Check:**
For this test the O₂ sensor must be **fully polarized** and the **membrane of the sensor must be dry and clean.**

Expose the sensor (connected to O₂ Sensor-Master) to the air. By pushing the switch to the right to the position "2 – Sensor check", the O₂ Sensor-Master checks whether the electrode current for air measurement delivered by the sensor is within the admissible range (40 to 100 nA for InPro 6800). If the green LED lights up the current for air measurement is within the admissible range.

If the LED does not light up, you should check the battery of the O₂ Sensor-Master (see instruction manual «Accessories»). If the battery is working, than there is probably a problem with your sensor. You should change the electrolyte and/or the membrane body of your sensor. If after a membrane change the LED still does not light up, this means that there is maybe something wrong with the interior body of the sensor. You should than change it (see «Section 6.2»).



Important! The Sensor Check function only verifies the correctness of the electrode current for air measurement. In order to be absolutely sure of the functionality of the sensor, the residual signal in an oxygen free medium should also be controlled (see «Section 6.1.3»).

6.1.3 Testing the sensor via a transmitter

A periodic zero current measurement (**no zero point calibration**) is recommended for verification of proper sensor function.



Note: At the time you carry out the zero current measurement, the sensor must be polarized.

Zero current measurement can be done by using zeroing gel (order no. 30 300 435) or nitrogen (N₂) or carbon dioxide (CO₂) calibration gases with a purity of at least 99.995 %, alternatively in a sample medium saturated with one of these gases.

After 2 minutes in an oxygen-free sample medium, the reading on the transmitter should drop to below 10 % of the reading in ambient air, and within 10 minutes the value should have dropped to below 1 %.

If the measured values are too high, this suggests a depleted electrolyte or a defective membrane. In the first instance replace the electrolyte, and in the second case exchange both the membrane body and the electrolyte accordingly.

If after such procedures the above mentioned values are still not reached, replace the interior body. If this doesn't solve the problem too send the sensor to your local METTLER TOLEDO representative for inspection.

Many sample media contain volatile substances which, even at very low concentrations, have a clearly perceptible smell. Similarly to oxygen, these substances are able to invade the electrolyte through the gas-permeable membrane. Accordingly, they become noticeable when changing the electrolyte. In most cases, such substances have absolutely no influence on the measuring properties of the sensor. Slight discoloration of the electrolyte also has no effect on the measuring properties.

6.2 Changing the electrolyte, the membrane body or the interior body

METTLER TOLEDO DO sensors are supplied with fitted membrane body and have been checked for proper function.

However, if a sensor is to be stored for several months, the electrolyte should be replaced before use.

If the membrane exhibits signs of failure (long response time, increased current in an oxygen-free medium, mechanical damage, etc.) the membrane body has to be replaced.



Warning! The O₂ electrolyte has an alkaline pH value. Contact of electrolyte with mucous membrane or eyes is to be avoided. **Therefore protective gloves and safety glasses have to be worn for the following dismantling works.**

If such contact occurs, the affected area should be well rinsed with water. In the case of accident, or should ever any adverse signs appear, get immediate medical attention.

When changing the electrolyte, the membrane body or the interior body, please observe the following instructions (see also the following illustration):



Attention! Make sure that this maintenance step is carried out in **clean place**.

1. Unscrew the cap sleeve from the sensor shaft and carefully pull it off the sensor.
2. Pull off the membrane body from the interior body. If it is tight-fitted, eject by pushing it with the flat finger tip. Before electrolyte is refilled, the membrane body must be removed from the cap sleeve.
3. Rinse the interior body with demineralized water and carefully dab it dry with a paper tissue.



Note: steps 4 to 7 may only be carried out when changing the interior body.

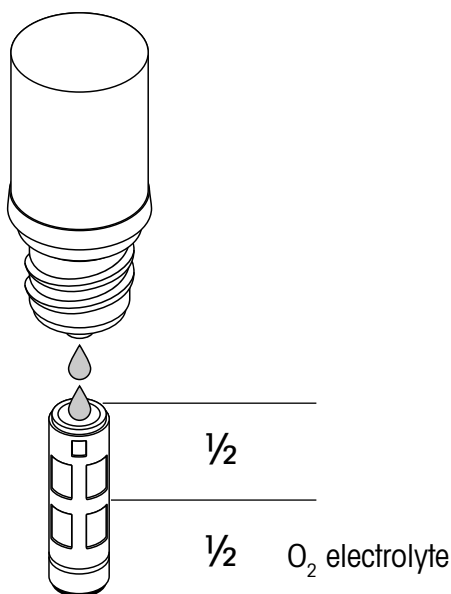
4. Unscrew the retainer nut of the interior body with an adjustable wrench or with a 3/8" wrench.
5. Remove the interior body by pulling it out of the sensor shaft. If necessary use a plier.



Warning! Do not twist the interior body.

Otherwise the connection pins can be damaged.

6. Insert the new interior body in the sensor shaft. Turn the interior body in the shaft until the slit of the interior body is aligned with the pin placed in the shaft.
7. Press the body in the shaft and screw the new retainer nut in place.
8. Examine the O-rings visually for mechanical defects, and replace if necessary.
9. Half-fill the new membrane body with O₂ electrolyte and make sure that all bubbles are removed. Air bubbles can be removed by carefully tapping on the membrane body.

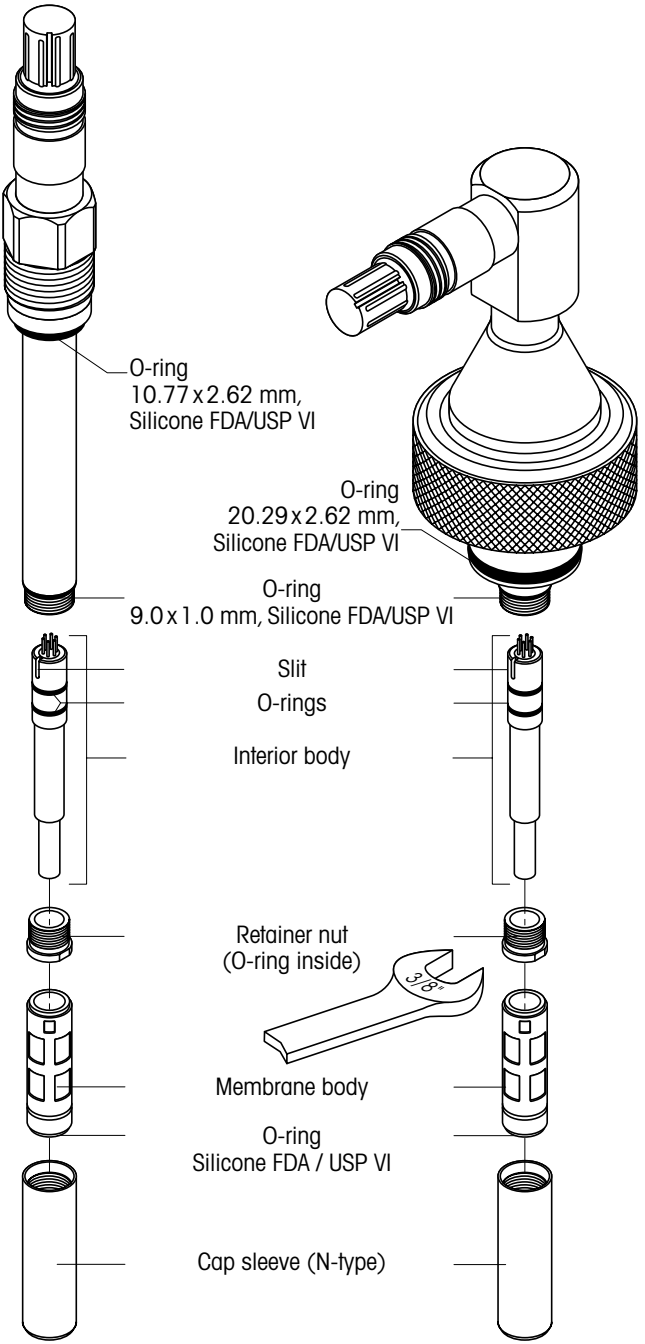


10. Slip the membrane body over the interior body while holding the sensor in a vertical position. The excess electrolyte will be displaced and have to be removed with a paper tissue



Attention! No electrolyte, sample media or contamination may be present between the membrane body and the cap sleeve. Please check carefully.

11. Carefully slip the cap sleeve over the fitted membrane body, holding the sensor in a vertical position and screw it tight. The cap sleeve must be clean and dry.
12. After each exchange of electrolyte or membrane body, the sensor has to be repolarized and recalibrated.



7 Storage

The sensor can be stored for several months filled with O₂ electrolyte (order no. 30 298 424) as long as the protective cap is in place. In order to avoid the 6-hour polarization time before reuse of the sensor, it can be kept stored connected to the METTLER TOLEDO O₂ Sensor-Master InPro 6800.



Attention! The electrolyte should be replaced before use if the storage period exceeds 3 months.

If the storage period exceeds 6 months, the sensor should be **stored dry**, i.e. without any electrolyte in the membrane body.



Attention! A sensor being stored dry (without electrolyte in the membrane body) **may on no account be connected to the O₂ Sensor-Master InPro 6800**.

8 Product specification

8.1 Certificates

Each sensor is delivered with a set of **3.1 certificates** (complying with EN 10204).

All wetted metal parts (sensor shaft, cap sleeve and membrane body) are identified with a engraved symbol corresponding to the heat number on the paper certificate delivered with the sensor.

Each wetted metal part (sensor shaft, cap sleeve and membrane body) is polished in order to get a surface roughness lower than 0.4 µm (16 µin). This represents a roughness grade number of N5 (according to ISO 1320:1992).

8.2 Specifications



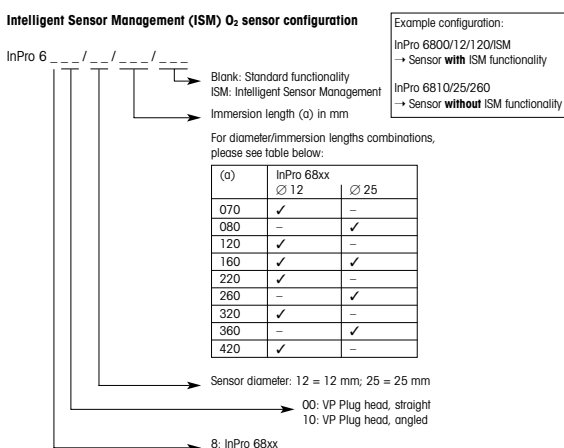
Attention! Please refer to the supplementary sheet 52 201 146 if the sensor, together with the membrane body T-6800 gas, is been used for measurement of oxygen partial pressure in gases. This supplementary sheet is only included in the packaging of T-6800 gas membrane bodies and kits.

InPro 6800	
Measurement principle	Amperometric/Polarographic
Working conditions	
Pressure resistance measurement	0.2...6 bar absolute [2.9...87.0 psi absolute]
Mechanical pressure resistance	max. 12 bar absolute [174.0 psi absolute]
Measuring temperature range	0...80°C [32...176°F]
Temperature range	- 5...140°C [23...284 °F] (sterilizable/autoclavable)
Construction	
Temperature compensation	Automatic with built-in RTD
Cable connection	VarioPin (IP 68) straight or angled K8S straight (digital ISM sensors)
O-ring material	Silicone FDA and USP VI approved
Membrane material	PTFE/Silicone/PTFE (reinforced with steel mesh)
Wetted metal parts	Stainless steel Special material on request
Surface roughness of wetted metal parts (ISO 1320:1992)	N5 ($R_a < 0.4 \mu\text{m}$ [16 μin])
Quick disconnect interior body	Standard
Cathode	Pt
Anode	Ag
Guard ring	No
Dimensions	
Sensor diameter	12 or 25 mm (0.47" or 0.98")
Immersion length (a) for 12mm sensor	70, 120, 220, 320, 420 mm (2.8, 4.7, 8.66, 12.6, 16.54")
Immersion length (a) for 25mm sensor	80,160, 260, 360 mm (3.15, 6.3, 10.24, 14.17")
Performances	
Detection limit	6ppb
Accuracy	$\leq \pm$ [1% + 6 ppb] of reading in liquids
Response time at 25°C/77°F (air → N ₂)	98% of final value < 90 s
Sensor signal in ambient air (25°C/77°F)	50...110 nA
Residual signal in oxygen-free medium	< 0.1% of the signal in ambient air
Maximum flow error	\leq 5%
Certification	
EHEDG, 3A	Yes
3.1 (EN 10204)	Yes
ATEX, IECEx und UKEX certificate	Yes
FM Approval	Yes
FDA / USP VI	Yes
Quality control	Yes
Compatibility	
with METTLER TOLEDO transmitters	see «Section 9.4»
with METTLER TOLEDO housings	see «Section 9.5»

9 Ordering information

For more detailed information refer to the technical data sheet. Ask your local distributor.

9.1 Sensors



Sensor without ISM functionality

Immersion length (a)	12 mm diameter		25 mm diameter	
	straight	angled	straight	angled
70 mm (2.8")	52 200 964	52 200 969	—	—
80 mm (3.2")	—	—	52 200 974	52 200 978
120 mm (4.7")	52 200 965	52 200 970	—	—
160 mm (6.3")	—	—	52 200 975	52 200 979
220 mm (8.7")	52 200 966	52 200 971	—	—
260 mm (10.2")	—	—	52 200 976	52 200 980
320 mm (12.6")	52 200 967	52 200 972	—	—
360 mm (14.2")	—	—	52 200 977	52 200 981
420 mm (16.5")	52 200 968	52 200 973	—	—

9.2 Accessories

Accessories	Order no.
O ₂ Sensor-Master InPro 6800	52 200 892
O ₂ Sensor-Simulator	52 200 891
Adapter T82 socket – VP plug	52 200 939
Adapter VP socket – T82 plug	52 200 940
VP cable VP6-ST/ 3 m	52 300 108
VP cable VP6-ST/ 5 m	52 300 109
VP cable VP6-HT/ 3 m	52 300 112
VP cable VP6-HT/ 5 m	52 300 113
VP cable VP8-ST/ 3 m	52 300 354
VP cable VP8-ST/ 5 m	52 300 355
VP cable VP8-HT/ 3 m	52 300 361
VP cable VP8-HT/ 5 m	52 300 362
Oxygen zeroing gel (3 × 25 ml)	30 300 435

For other cable lengths or types, please contact your local METTLER TOLEDO representative.

9.3 Spare parts

Spare part	Order no.
Membrane body, single T-96	52 200 071
Membrane kit T-96 (4 membrane bodies, 1 O-ring set, 25 ml Electrolyte bottle)	52 200 024
O ₂ Membrane bodies T-96 (16 pcs.)	52 206 114
O ₂ Electrolyte pack (3 × 25 ml)	30 298 424
Interior body InPro 6800 (with quick disconnect)	52 200 899
Cap sleeve N-type	52 200 037
Cap sleeve with protective cage P-type	52 200 038

9.4 Recommended transmitters



Note: Ask your local distributor or refer to the technical data sheet.

9.5 Recommended housings

Housings	12 mm Ø	25 mm Ø	
Static housings			Please ask your local METTLER TOLEDO representative.
INGOLD "safety weld-in socket"	–	✓	
InFit 761 CIP	✓	–	
Retractable housings			
InFit 777 e	✓	–	
InFit 797 e	✓	–	
Immersion housing			
InDip™ 550	✓	–	



Note: The housings are available in different versions. Please contact your distributor to get the right ordering information.

10 Theory of the polarographic sensor

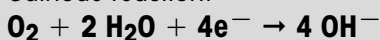
10.1 Introduction

Two types of electrodes are employed in analytical work: **potentiometric** and **amperometric** electrodes.

- Potentiometric electrodes develop a voltage generated by the activity of a particular ion. Examples of such electrodes are glass electrodes (like pH electrodes) and most ion-selective electrodes. Their individual potentials cannot be determined. The measurable quantity is the difference of potential between the measuring electrode and an inert reference electrode. The potential of the reference electrode must be constant.
- All potentiometric electrodes are subject to Nernst's law and for this reason electrodes and measuring instruments are in most cases interchangeable. An important requirement of potentiometric measurements is the virtually currentless determination of the electrode voltage. During measurement no chemical reaction occurs and the solution remains in equilibrium.
- In the case of **amperometric electrodes**, such as the **oxygen electrode**, activity measurement is based on a current measurement.

The oxygen electrode consists of a cathode and an anode conductively connected by an electrolyte. A suitable polarization voltage between the anode and the cathode selectively reduces the oxygen at the cathode.

Cathode reaction:



Anode reaction:



These chemical reactions result in an electric current which is proportional to the oxygen partial pressure (PO_2). The oxygen electrode consumes oxygen which is continuously extracted from the solution. The viscosity and flow rate of the solution are therefore important parameters.

The electrode current of an oxygen electrode is determined not only by the oxygen partial pressure but by many other electrode parameters. The electrode currents of different electrode types may differ by several powers of ten. For this reason oxygen electrodes and amplifiers cannot be freely interchanged.

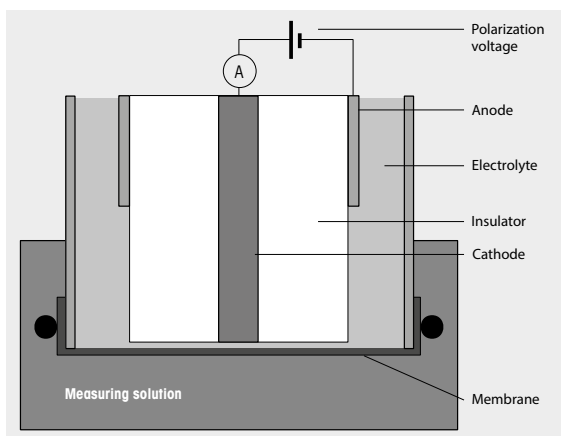
10.2 Principle of the design of an oxygen electrode

There are two main types of oxygen electrodes:

- Electrodes **without** membrane
- Electrodes **with** gas-permeable membrane (Clark Principle)

The membrane electrode according to Clark is today most widely used. As compared to the electrode without membrane it possesses the following advantages:

- Oxygen measurement in gases and solutions
- No mutual contamination of electrode and solution
- No or little dependency on flow



In the case of the Clark electrode, geometrical configuration is very important. In particular, the thickness of the electrolyte film between the cathode and the membrane must be within narrow tolerances so as to ensure good linearity and a low zero current (current in a nitrogen atmosphere). The figure above exemplifies the principle of the design of a Clark-type oxygen electrode.

10.3 Parameters determining current

The quantity of oxygen diffused in and the magnitude of the electrode current are influenced by the following parameters:

- Oxygen partial pressure of the solution
- Membrane material and thickness
- Size of cathode
- Polarization voltage
- Temperature
- Flow conditions in the solution

Fick's law gives the mathematical relationship between these parameters:

$$I = k \times D \times a \times A \times \frac{pO_2}{X}$$

I = electrode current

k = constant

D = coefficient of diffusion of O₂ in the membrane

a = solubility of O₂ in the membrane material

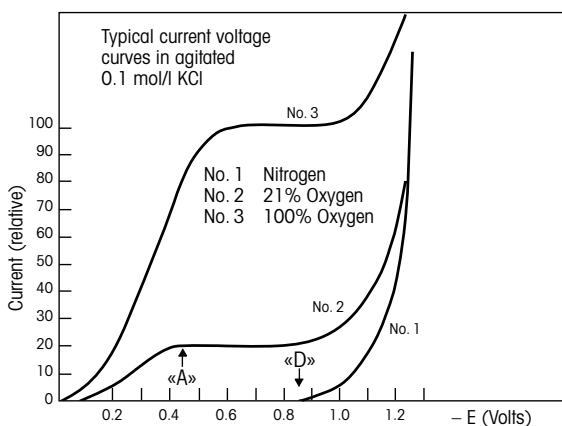
A = cathode surface

pO₂ = oxygen partial pressure in the solution

X = thickness of gas-permeable membrane

10.4 Polarization voltage

The voltage between the anode and the cathode is so selected that the oxygen is fully (> A, see polarogram) reduced while other gases are unaffected (< D). The ideal voltage for the Pt/Ag/AgCl system is between -500 and -750 mV.



The polarization voltage should remain as constant as possible. Besides a constant source of voltage the following prerequisites must be met:

The electrical resistance of electrolyte film must not exceed a particular value so as to avoid a voltage drop. The anode must have a large surface so as to prevent polarization of the anode by the electrode current.

10.5 Temperature

The temperature dependence of the current passing through an oxygen electrode when referred to a constant O₂ partial pressure is determined mainly by the properties of the gas-permeable membrane.

10.6 Dependence on flow

With most oxygen electrodes the electrode current is smaller in stagnant solutions than in agitated ones. The consumption of oxygen by the electrode results in extraction of oxygen from the solution in the close vicinity of the cathode outside the membrane. The oxygen is replaced by diffusion. If the electrode current is strong, the solution cannot fully restore the oxygen by diffusion. This results in an electrode current weaker than would correspond to conditions in the solution. In agitated solutions the oxygen is conveyed to the surface of the membrane not only by diffusion but additionally by the flow (convection). In that case no oxygen impoverishment occurs at the membrane surface.

A high degree of flow dependence occurs mainly with large cathodes, thin and highly permeable membranes, i.e. where electrode currents are large. The problem of flow dependence is often solved by prescribing a minimum flow rate.

In METTLER TOLEDO InPro 6800 electrodes, the thin PTFE membrane determining the electrode current (i.e. the actual measuring signal) is separated from the sample solution by a relatively thick silicone membrane. This latter is highly permeable to oxygen molecules and thus acts as an oxygen reservoir. The diffusion of oxygen out of the sample solution into the silicone membrane is spread over a wide area. Since this results in less oxygen being extracted from the sample solution per unit area, the double PTFE/Silicone membrane forms an effective buffer against disturbances due to hydrodynamic flow.

10.7 Oxygen partial pressure – oxygen concentration

The electrode current depends on the oxygen partial pressure and the O₂ permeability of the membrane – but not on the O₂ solubility in the solutions. The oxygen concentration in mg O₂/l (CL) cannot therefore be determined directly with an electrode.

According to Henry's law the oxygen concentration is proportional to its partial pressure (PO₂).

$$CL = pO_2 \times a$$

a = solubility factor

If " a " is constant, the oxygen concentration can be determined by means of the electrode. This applies at constant temperature and with dilute aqueous solutions such as drinking-water.

The solubility factor is strongly influenced not only by the temperature but also by the composition of the solution:

Medium, sat. with air	Solubility at 20 °C (68 °F) and 760 mm Hg
Water	9.2 mg O ₂ /l
4 mol/l KCl	2 mg O ₂ /l
50 % Methanol-water	21.9 mg O ₂ /l

Although the solubilities vary widely, the oxygen electrode gives the same reading in all three solutions.

Thus, determination of the oxygen concentration is only possible with constant and known solubility factors " a ".

Solubility may be determined by a Winkler titration or the method developed by Käppeli and Fiechter.

References

- W.M. Krebs, I.A. Haddad *Develp. Ind. Microbio.*, 13, 113 (1972)
- H. Bühler, *W. Ingold GIT* 20, 977 (1976)
- W.M. Krebs, *MBAA Techn. Quart.* 16, 176 (1975)
- D.P. Lucero, *Ana. Chem.* 40, 707 (1968)

O₂-Sensoren der InPro 6800 Serie

Bedienungsanleitung

InDip, InFit, InPro, ISM und InTrac sind Markenzeichen der METTLER TOLEDO Gruppe.

Inhalt

1	Einleitung	42
2	Wichtige Hinweise	43
2.1	Hinweise zur Bedienungsanleitung	43
2.2	Bestimmungsgemäße Verwendung.....	43
2.3	Sicherheitshinweise.....	44
2.4	Umweltschutz.....	46
2.5	Einige typische Applikationsbeispiele	46
2.6	Einsatz im Ex-Bereich	46
2.7	Ex-Klassifikation ATEX	47
2.7.1	Einleitung	47
2.7.2	Nenndaten	47
2.7.3	Besondere Bedingungen	48
2.8	FM-geprüfte Ex-Klassifikation	49
2.8.1	Einleitung	49
2.8.2	Nenndaten	50
2.8.3	Besondere Bedingungen.....	50
2.8.4	Angewandte Normen:.....	51
3	Produktbeschreibung	52
3.1	Allgemein	52
3.2	Funktionsprinzip	52
3.3	Lieferumfang	52
3.4	Produktübersicht.....	53
4	Installation	55
4.1	Einbau des Sensors	55
4.2	Sensor anschliessen	56
4.2.1	Kabel an den InPro 6800 anschliessen.....	56
4.2.2	Anschluss des VP- oder K8S Kabels am Transmitter	56
5	Betrieb	57
5.1	Inbetriebnahme und Polarisierung	57
5.2	Kalibrierung	58
5.2.1	Zweck der Kalibrierung	58
5.2.2	Was müssen Sie bei der Kalibrierung beachten	58
5.2.3	Einpunktkalibrierung	60
5.2.4	Zweipunktkalibrierung	60
6	Wartung	61
6.1	Kontrolle des Sensors.....	61
6.1.1	Visuelle Kontrolle	61
6.1.2	Kontrolle des Sensors mit dem METTLER TOLEDO O ₂ Sensor-Master InPro 6800.....	62
6.1.3	Kontrolle des Sensors mit dem Transmitter.....	63
6.2	Ersetzen des Elektrolyten, des Membrankörpers oder des Innenkörpers	64
7	Lagerung	67
8	Produktspezifikationen	67
8.1	Zertifikate	67
8.2	Technische Daten	68
9	Bestellinformationen	69
9.1	Sensoren	69
9.2	Zubehör.....	69
9.3	Ersatzteile	70
9.4	Empfohlene Transmitter	70
9.5	Empfohlene Armaturen	70
10	Theorie der polarographischen Sensoren	71
10.1	Einführung	71
10.2	Prinzipieller Aufbau von O ₂ -Elektroden.....	72
10.3	Einflussgrößen auf den Elektrodenstrom.....	72
10.4	Polarisationsspannung.....	73
10.5	Temperatur.....	73
10.6	Strömungsabhängigkeit.....	74
10.7	Sauerstoffpartialdruck – Sauerstoffkonzentration	75

1 Einleitung

Wir danken Ihnen, dass Sie einen **Sensor InPro™ 6800 von METTLER TOLEDO** erworben haben.

Die Sensoren InPro 6800 sind nach dem heutigen Stand der Technik und den zur Zeit anerkannten sicherheitstechnischen Regeln gebaut. Dennoch können bei unsachgemässer Anwendung Gefahren für den Anwender oder Dritte und/oder Beeinträchtigungen der Anlage und anderer Sachwerte entstehen. **Die vorliegende**



Bedienungsanleitung muss deshalb vor Beginn von Arbeiten an den Sensoren von den betreffenden Personen gelesen und verstanden werden.

Bitte bewahren Sie die Bedienungsanleitung an einem sicheren Ort auf, wo sie für jeden Anwender jederzeit zur Hand ist.

Wenn Sie Fragen haben, die in dieser Bedienungsanleitung nicht oder nicht ausreichend beantwortet werden, nehmen Sie bitte mit Ihrem METTLER TOLEDO Vertreter Kontakt auf. Man wird Ihnen gerne weiterhelfen.

2 Wichtige Hinweise

2.1 Hinweise zur Bedienungsanleitung

Die vorliegende Bedienungsanleitung enthält alle Angaben, um den O₂-Sensor InPro 6800 sicher, sachgerecht und bestimmungsgemäss einzusetzen.

Die Bedienungsanleitung richtet sich an das mit der Bedienung und der Instandhaltung der Sensoren beauftragte Personal. Es wird vorausgesetzt, dass diese Personen Kenntnisse der Anlage besitzen, in der die Sensoren eingebaut sind.

Warnhinweise und Symbole

In dieser Bedienungsanleitung werden Sicherheitshinweise und Zusatzinformationen mit folgenden Piktogrammen gekennzeichnet:



Dieses Piktogramm kennzeichnet Sicherheits- und Gefahrenhinweise, deren Missachtung zu Personen und/oder Sachschäden führen können.



Dieses Piktogramm kennzeichnet Zusatzinformationen und Anweisungen, deren Missachtung zu Defekten, ineffizienten Betrieb oder zum Ausfall der Produktion führen können.

2.2 Bestimmungsgemässe Verwendung

METTLER TOLEDO InPro 6800 Sensoren dienen zur Inline-Messung des Sauerstoffpartialdrucks in Flüssigkeiten und Gasen, gemäss den Angaben in dieser Bedienungsanleitung.

Eine andere oder darüber hinausgehende Benutzung, als in dieser Bedienungsanleitung beschrieben, gilt als nicht bestimmungsgemäss. Für hieraus resultierende Schäden haftet der Hersteller/Lieferant nicht. Das Risiko trägt allein der Anwender.

Zur bestimmungsgemässen Verwendung gehören des Weiteren:







- Die Beachtung der Anweisungen, Vorschriften und Hinweise in der vorliegenden Bedienungsanleitung.
- Die regelmässige, Inspektion, Wartung und Funktionsprüfung der eingesetzten Komponenten liegt in der Verantwortung des Anwenders. Die Beachtung der lokalen Vorschriften zur Arbeits- und Anlagensicherheit sind dabei einzuhalten.
- Einhaltung aller Hinweise und Warnvermerke in den Publikationen zu den Produkten, die zusammen mit dem Sensor verwendet werden (Armaturen, Transmitter, etc.).
- Einhaltung aller Sicherheitsvorschriften der Anlage, in die der Sensor eingebaut wird.

- Der korrekte Betrieb unter Beachtung der vorgeschriebenen Umwelt und Betriebsbedingungen und den zulässigen Einbaulagen.
- Bei Unklarheiten soll unbedingt Rücksprache mit METTLER TOLEDO genommen werden.

2.3 Sicherheitshinweise



- Der Anlagenbetreiber muss sich über eventuelle Risiken und Gefahren seines Prozesses bzw. Anlage bewusst sein. Der Anlagenbetreiber ist verantwortlich für die Ausbildung des Betriebspersonals, für die Kennzeichnung möglicher Gefahren und für die Auswahl geeigneter Instrumentierung anhand des Stands der Technik.
- Betriebspersonal, welches an der Inbetriebsetzung, Bedienung oder Wartung dieses Sensors oder eines seiner Zusatzprodukte (Armaturen, Transmitter, etc.) beteiligt ist, muss zwingend in den Produktionsprozess und die Produkte eingewiesen sein. Dazu gehört auch das Lesen und Verstehen dieser Betriebsanleitung.
- Die Sicherheit von Betriebspersonal und Anlagen liegt schlussendlich in der Verantwortung des Anlagenbetreibers. Dies gilt insbesondere für Anlagen in explosionsgefährdeten Bereichen.
- Der eingesetzte Sauerstoffsensor und zugehörige Komponenten haben keinen Einfluss auf den Prozess und können diesen nicht im Sinne einer Regelung oder Steuerung beeinflussen.
- Wartungs- und Serviceintervalle hängen von den Einsatzbedingungen, der umgebenen Substanzen, der Anlage und der Sicherheitsrelevanz des Messsystems ab. Kundenprozesse variieren stark, so dass Angaben, soweit diese vorgegeben sind, nur als Richtwerte dienen und in jedem Fall durch den Anlagenbetreiber verifiziert werden müssen.
- Werden bestimmte Schutzmassnahmen wie Schlösser, Beschriftungen oder redundante Messsysteme gefordert, müssen diese vom Anlagenbetreiber vorgesehen werden.
- Ein defekter Sensor darf weder montiert noch in Betrieb genommen werden.
- Am Sensor dürfen nur Wartungsarbeiten durchgeführt werden, die in dieser Bedienungsanleitung beschrieben sind.
- Verwenden Sie für den Austausch von defekten Komponenten ausschliesslich METTLER TOLEDO Originalersatzteile (siehe „9.3 Ersatzteile“).

- An den Sensoren und den Zubehörteilen dürfen keine Änderungen vorgenommen werden. Für Schäden aufgrund von unerlaubten Änderungen haftet der Hersteller/Lieferant nicht. Das Risiko trägt allein der Anwender.
- Werden für den Sensoranschluss andere als vom Hersteller gelieferte oder empfohlene Kabel verwendet, sind die folgenden Normen einzuhalten:
 - Die US-Norm National Electrical Code® (ANSI/NFPA 70 [NEC®]), sofern zutreffend.
 - Die kanadische Norm Canadian Electrical (CE) Code® (CEC Teil 1, CAN/CSA-C22.1), sofern zutreffend.
- Für Hinweise zu Installationen in den USA siehe ANSI/ISA-RP12.06.01, Installation of Intrinsically Safe Systems for Hazardous (Classified) Locations.
- In den USA dürfen die an die eigensicheren zugehörigen Betriebsmittel angeschlossenen Leitstand-Geräte nicht mehr als die für die zugehörigen Betriebsmittel vorgegebene Um verwenden oder erzeugen.
- Bei der Installation ist jegliche Freisetzung von Zündenergie durch Stöße, Schläge oder Reibung zu vermeiden.
- Unerlaubte Änderungen und die Verwendung von Komponenten anderer Hersteller können den sicheren Einsatz des Systems beeinträchtigen.
- Elektrische Stecker oder Module dürfen erst dann angeschlossen oder entfernt werden, wenn der Bereich erwiesenermaßen frei von entflammaren Dämpfen ist.
-  **Warnung** – Eigensichere Betriebsmittel können eine Zündquelle darstellen, wenn interne Abstände überbrückt oder Anschlüsse geöffnet werden.
-  **Warnung** – Nicht in explosionsgefährdeter Atmo- sphäre öffnen.
-  **Warnung** – Die Verwendung anderer Komponenten kann die Eigensicherheit beeinträchtigen.
-  **Warnung** – Die Verwendung anderer Komponenten kann die Gebrauchstauglichkeit des Gerätes beeinträchtigen.
-  **Warnung** – Nur zum Anschluss an nicht feuergefährliche Prozesse bestimmt.
-  **Warnung** – Um den Schutz des Gehäuses nach Schutzart IP66 zu gewährleisten, muss der Stecker vollständig eingerastet sein.

2.4 Umweltschutz

Elektroaltgeräte dürfen nicht zusammen mit dem Hausmüll entsorgt werden. Bitte führen Sie diese möglichst Einrichtungen zur Wiederverwertung zu. Wenden Sie sich an Ihre zuständige Behörde oder Ihren Fachhändler, um Hinweise zur Wiederverwertung zu erhalten.



2.5 Einige typische Applikationsbeispiele

Die folgende Aufzählung zeigt einige typische, nicht abschliessende, Applikationsbeispiele für den Einsatz des Sauerstoffsensors.

Messung in Flüssigkeiten:

- Fermentationen
- Hefeaufzucht
- Würzebelüftung
- Quellwasseraufbereitung
- Lagerung und Aufbereitung von Fruchtsäften

2.6 Einsatz im Ex-Bereich



Vorsicht!

Für eine Installation im Ex-Bereich beachten Sie bitte die nachfolgenden Richtlinien:



Ex-Klassifikation ATEX:

- ⊕ II 1/2G Ex ia IIC T6...T3 Ga/Gb
- ⊕ II 1/2D Ex ia IIIC T69 °C...T161 °C Da/Db

Nummer des Testzertifikats:

SEV 14 ATEX 0169X
 IECEx SEV 14.0026X
 CML 22 UKEX 2212X

Ex-Klassifikation FM geprüft:



IS / I, II, III /1/ ABCDEFG / T6 Ta = 60 °C
 - 53 800 002; Entity

Projekt-ID: 3021227

FM-Zertifikatsnummer: FM16US0034X
 FM18CA0021X

2.7 Ex-Klassifikation ATEX

2.7.1 Einleitung

Gemäß Anhang I der Richtlinie 2014/34/EU (ATEX 114)¹⁾ handelt es sich bei den Sauerstoffsensoren des Typs InPro 6XXX*/*/*/*/* um Geräte der Gruppe II, Kategorie 1/2G, welche gemäß Richtlinie 99/92/EG (ATEX 137)²⁾ in den Zonen 0/1 oder 1/2 bzw. 1 oder 2 sowie in den Gasgruppen IIA, IIB und IIC, die aufgrund brennbarer Stoffe der vorgenannten Temperaturklassen explosionsgefährdet sind, eingesetzt werden dürfen.

Bei der Verwendung/Installation sind die Anforderungen nach EN 60079-14 einzuhalten.

Gemäß Anhang I der Richtlinie 2014/34/EU (ATEX 114)¹⁾ handelt es sich bei den Sauerstoffsensoren des Typs InPro 6XXX*/*/*/*/* um Geräte der Gruppe II, Kategorie 1/2D, welche gemäß Richtlinie 99/92/EG (ATEX 137)²⁾ auch in den Zonen 20/21 bzw. 21 oder 22, die brennbaren Staub enthalten, eingesetzt werden dürfen.

Der Stromkreis des digitalen Sensors ist Teil eines gemeinsamen eigensicheren Systems und wird an einen gesondert zertifizierten Transmitter angeschlossen und betrieben.

Der Stromkreis des digitalen Sensors ist als Teil eines eigensicheren Systems von den nicht eigensicheren Stromkreisen bis zu einer maximalen Nennspannung von 375 V und von geerdeten Teilen bis zu einer maximalen Nennspannung von 30 V getrennt.

2.7.2 Nenndaten

Messkreis

In eigensicherer Zündschutzart Ex ia IIC nur zum Anschluss an einen zertifizierten eigensicheren Stromkreis.

Analoger Sauerstoffsensor Höchstwerte

$$U_i \leq 16 \text{ V}$$

$$I_i \leq 190 \text{ mA}$$

$$P_i \leq 200 \text{ mW}$$

$$L_i = 0 \text{ (wirksame innere Induktivität)}$$

$$C_i = 900 \text{ pF (wirksame innere Kapazität)}$$



Hinweis:

Die oben genannten Höchstwerte sind jeweils die Summe aller einzelnen Kreise in der entsprechenden eigensicheren Stromversorgung und im Transmitter.

¹⁾ Für britische gesetzliche Anforderungen SI 2016 Nr. 1107

²⁾ Für die britischen Vorschriften 7 und 11 der Dangerous Substances and Explosive Atmospheres Regulations 2002 (DSEAR)

2.7.3 Besondere Bedingungen

- Folgende Tabelle enthält das Verhältnis zwischen der maximal zulässigen Umgebungs- bzw. Mediumtemperatur und der Temperaturklasse für Geräte der Kategorie 1G, Zone 0:

Temperaturklasse	Maximale Umgebungs- bzw. Mediumtemperatur
T 6	68 °C
T 5	80 °C
T 4	108 °C
T 3	160 °C

- Folgende Tabelle enthält das Verhältnis zwischen der maximal zulässigen Umgebungs- bzw. Mediumtemperatur und der Temperaturklasse für Geräte der Kategorie 1D, Zone 20:

Temperaturklasse	Maximale Umgebungs- bzw. Mediumtemperatur
T 69 °C	68 °C
T 81 °C	80 °C
T 109 °C	108 °C
T 161 °C	160 °C

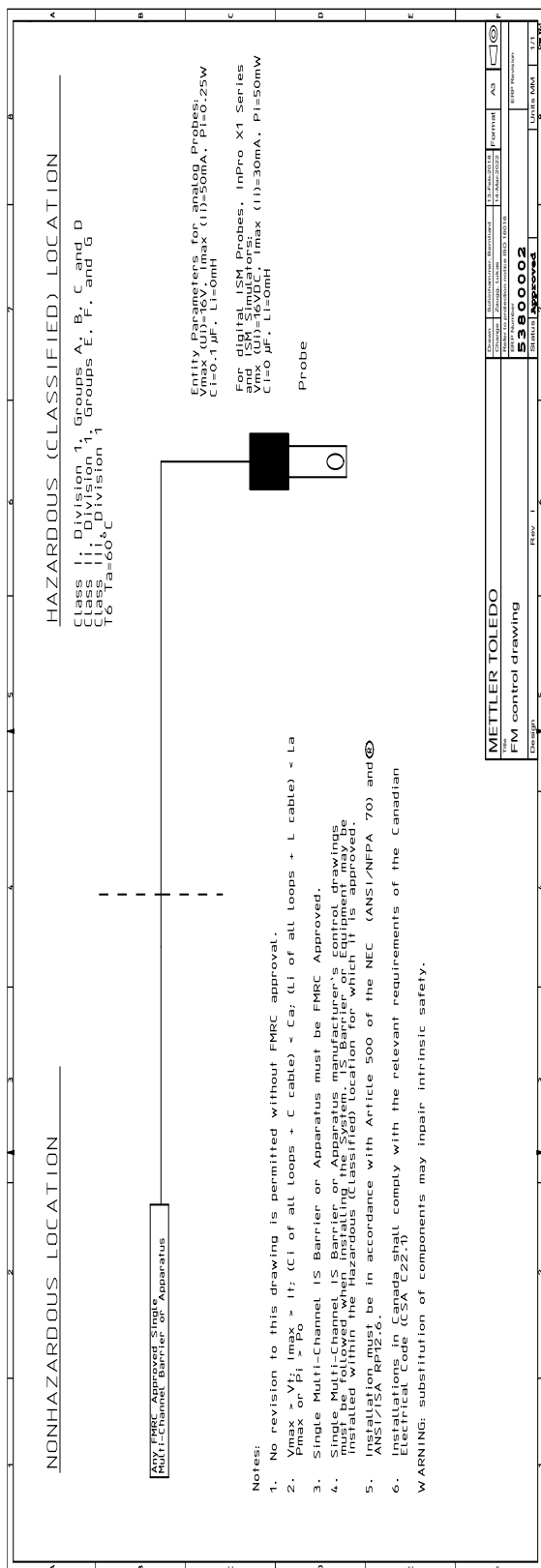
- Die Kapazität und die Induktivität des Verbindungskabels sind zu beachten.
- Der Sauerstoffsensordes Typs InPro 6XXX kann in/mit den Armaturen InFit™ 76*-*-* oder InTrac™ 7**-*-* oder in/mit anderen geeigneten Armaturen in potenziell explosionsgefährdeten Bereichen eingesetzt werden.
- Das Metallgehäuse des Sauerstoffsensors oder der Armaturen InFit76*-*-* oder InTrac7**-*-* oder anderer geeigneter Armaturen wird optional in die Routinedruckprüfung des Systems eingebunden.
- Die unabhängige Armatur für die Installation des Sauerstoffsensors muss leitend mit dem Potenzialausgleichssystem verbunden werden.

2.8 FM-geprüfte Ex-Klassifikation



2.8.1 Einleitung

Gegebenenfalls sind die folgende FM-Kontrollzeichnung und die in Kapitel 2.8.4 aufgeführten Normen einzuhalten:



2.8.2 Nenndaten

Die Nenndaten entnehmen Sie bitte Kapitel 2.7.2.

2.8.3 Besondere Bedingungen

In der Schutzart der eigensicheren Geräte sind prozessanalytische Sensoren (Serie InPro 6000 mit Gehäusen der Serien InFit 76X/Y und InTrac 7XX/YY) für die folgenden spezifischen Einsatzbedingungen vorgesehen.

1. Der Sensor für gelösten Sauerstoff muss in Übereinstimmung mit den Gehäuse-, Montage-, Abstands- und Trennungsanforderungen der betreffenden Anwendung installiert werden, einschließlich einer per Werkzeug abnehmbaren Abdeckung, und ist für den Einsatz mit FM-zugelassenen Gehäusen der Serien InFit 76X/Y und InTrac 7XX/YY geeignet.
2. Die Prozesstemperatur darf maximal +130 °C betragen.
3. Der maximal zulässige Arbeitsdruck beträgt 12 bar (174 psig).
4. Potenzielle Gefahr einer elektrostatischen Aufladung – Um die Gefahr elektrostatischer Entladungen zu vermeiden, darf die nichtmetallische Oberfläche nur mit einem feuchten Tuch gereinigt werden.
5. Titanhaltige Gehäuse stellen eine potenzielle Zündgefahr durch Schlag oder Reibung dar. Daher sind Schläge, Stöße oder Reibung bei Installation und Verwendung unbedingt zu vermeiden.

2.8.4 Angewandte Normen:

US Normen

Titel	Nummer	Ausgabe-Datum
Approval Standard for Electrical Equipment for Use in Hazardous (Classified) Locations – General Requirements.	FM Class 3600	2022
Approval Standard for Intrinsically Safe Apparatus and Associated Apparatus for Use in Class I, II & III, Division 1, Hazardous (Classified) Locations.	FM Class 3610	2021
Approval Standard for Electrical Equipment for Measurement, Control and Laboratory Use.	FM Class 3810	2021
Explosive Atmospheres – Part 0: Equipment – General Requirements.	ANSI/UL 60079-0:2020	2020
Explosive Atmospheres – Part 11: Equipment Protection by Intrinsic Safety “i”.	ANSI/UL 60079-11:2018	2018
Safety Requirements for Electrical Equipment for Measurement, Control, and Laboratory Use – Part 1: General Requirements.	ANSI/UL 61010-1:2018	2018

Kanadische Normen

Titel	Nummer	Ausgabe-Datum
Explosive Atmospheres – Part 0: Equipment – General Requirements.	CAN/CSA-C22.2 No. 60079-0:2019	2019
Explosive Atmospheres – Part 11: Equipment Protection by Intrinsic Safety “i”.	CAN/CSA-C22.2 No. 60079-11- 14:R2018	R2018
Safety Requirements for Electrical Equipment for Measurement, Control, and Laboratory Use – Part 1: General Requirements.	CAN/CSA-C22.2 No. 61010-1- 12:R2017	R2017

3 Produktbeschreibung

3.1 Allgemein

Der **O₂ Sensor InPro 6800** mit integriertem Temperaturfühler dient **zur Bestimmung von Sauerstoff**.

Er kann **sterilisiert** und **autoklaviert** werden und ist kompatibel mit CIP-Systemen (**C**leaning **I**n **P**lace = Reinigung im eingebauten Zustand).

InPro 6800 Sensoren mit ISM™-Funktionalität ermöglichen Plug+Measure und erweiterte Diagnose.

ISM Sensoren sind mit K8S- (digital) oder VP-Stecker erhältlich.

3.2 Funktionsprinzip

Der InPro 6800 basiert auf der polarographischen O₂-Messung nach Clark, die wie folgt zusammengefasst werden kann:

- Der Clark-Sensor besteht aus Arbeitselektrode - (Kathode), Gegen-/Referenzelektrode (Anode) und einer sauerstoffdurchlässigen Membran, welche die Elektroden vom Messmedium trennt.
- Über den Transmitter wird eine konstante Spannung an die Kathode angelegt, um den Sauerstoff zu reduzieren.
- Die Sauerstoffmoleküle diffundieren vom Messmedium durch die Membran zu den Elektroden und werden an der mit Spannung beaufschlagten Kathode reduziert. Gleichzeitig findet an der Anode eine Oxidation statt, bei der das Anodenmetall (Silber) als Silberionen in den Elektrolyt abgegeben wird. Dadurch wird der Elektrolyt leitend und ein Strom fließt zwischen Anode und Kathode (Ionen-Leitfähigkeit).
- Der erzeugte Strom wird vom Transmitter gemessen und ist proportional zum Sauerstoffpartialdruck (pO₂) im Messmedium.



Hinweis: Weitergehende Informationen zur polarographischen O₂-Messung findet sich in Kapitel „10 Theorie der polarographischen Sensoren“.

3.3 Lieferumfang

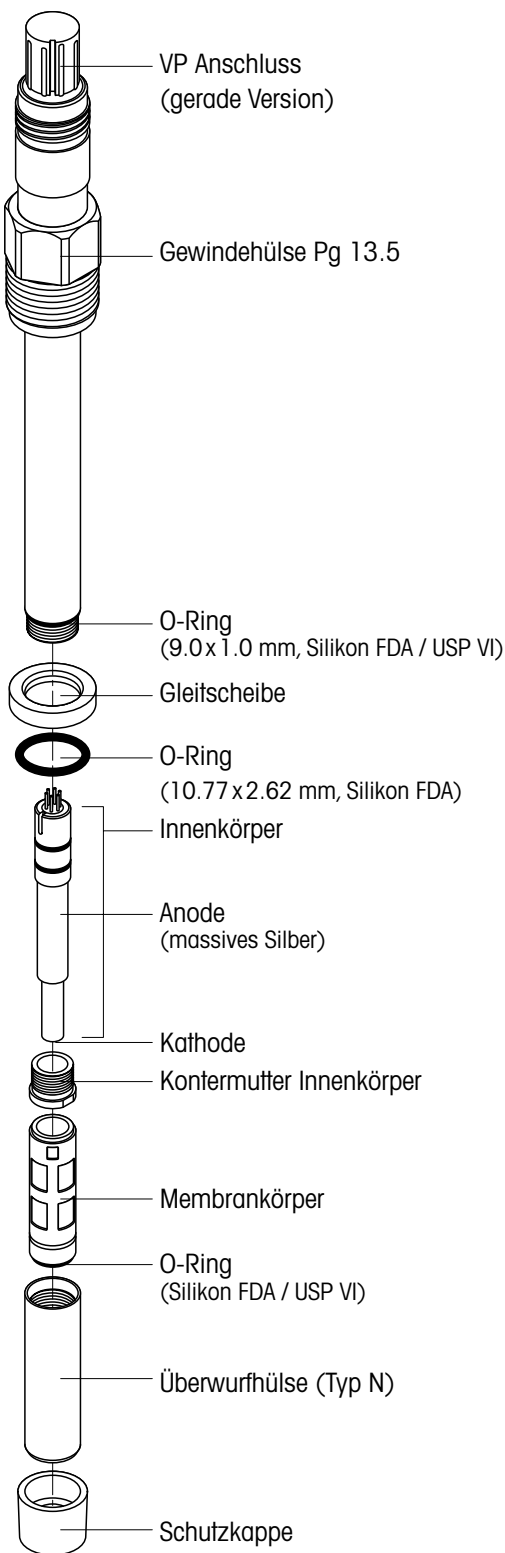
Jeder InPro 6800-Sensor wird komplett zusammengebaut und geprüft ausgeliefert mit:

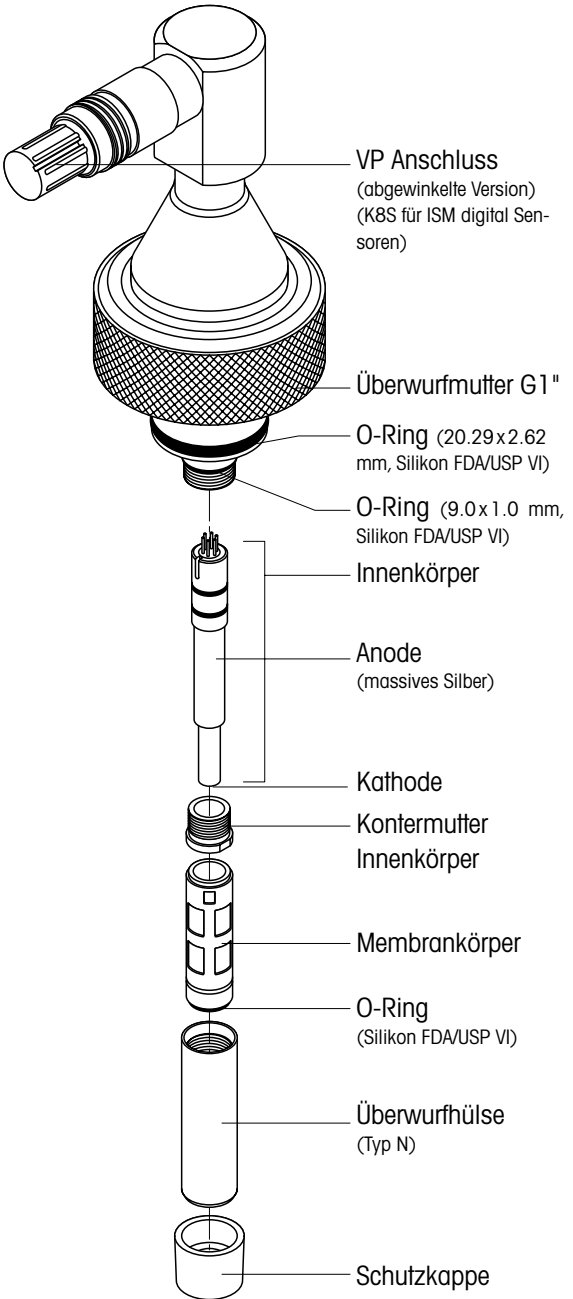
- einem Qualitäts-Kontrollzertifikat
- Materialzertifikaten 3.1 (entsprechend EN 10204)

Bitte beachten Sie die Angaben für die Elektrolytbestellung im Abschnitt „9.2 Zubehör“.

3.4 Produktübersicht

12 mm Sensor



Sensor 25 mm

4 Installation

4.1 Einbau des Sensors



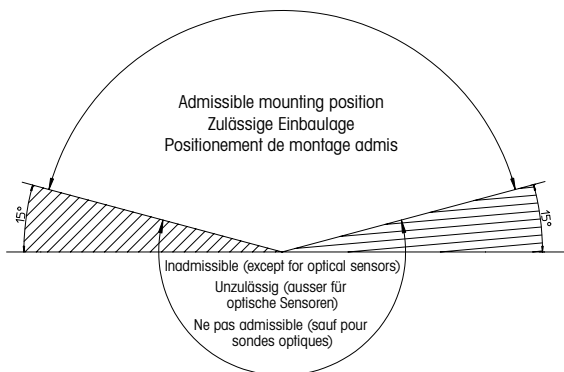
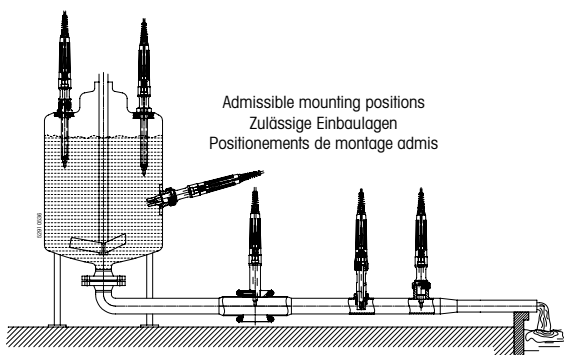
Wichtig! Vor dem Einbau des Sensors muss die grüne Schutzkappe entfernt werden.

Einbau des Sensors in eine Armatur

Für den Einbau des Sensors in eine Armatur beachten Sie bitte Angaben in der entsprechenden Anleitung zur Armatur.

Direkter Einbau der Sensoren in ein Rohr/Kessel

Der Sensor kann senkrecht oder schräg eingebaut werden. Bei schrägem Einbau ist der Winkel zwischen der Armatur und der Horizontalen grösser oder gleich 15° einzuhalten.




Die **12 mm O₂-Sensoren** können direkt in einen Gewindestutzen Pg 13.5 eingeschraubt und mit der Gewindehülse festgezogen werden.

Die **25 mm O₂-Sensoren** können direkt in einen Standardeinschweisstutzen oder den METTLER TOLEDO Sicherheitsstutzen eingebaut werden.

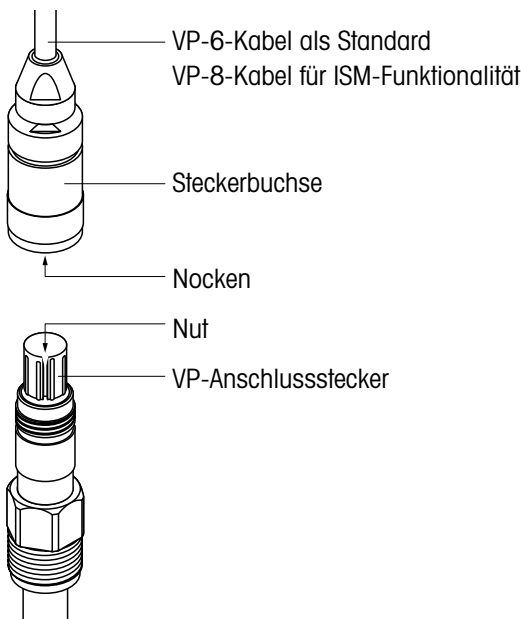
4.2 Sensor anschliessen

4.2.1 Kabel an den InPro 6800 anschliessen

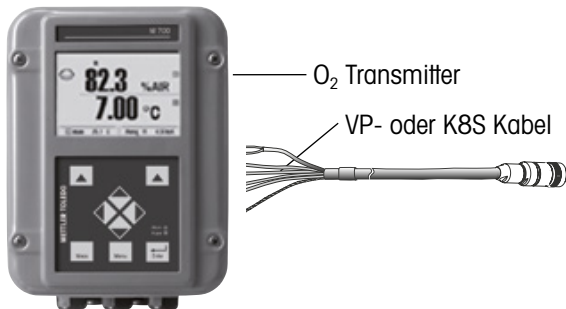
 Sensoren mit ISM-Funktionalität erfordern ein spezielles AK9-Kabel sowie einen ISM O₂-fähigen Transmitter. Der Sensor wird über ein AK9-Kabel an den Transmitter angeschlossen. Das AK9-Kabel garantiert eine sichere Verbindung zwischen Sensor und Transmitter, auch unter harten industriellen Bedingungen. Der robuste, wasserdichte Stecker entspricht der Schutzklasse IP68. Wenn Sie sich für einen Sensor mit ISM digital Funktionalität entschieden haben, enthält der K8S-Anschlussstecker einen Vorverstärker. Dieses elektrische Bauteil ist unbedingt vor elektrischer Entladung zu schützen.


 **Berühren Sie den Sensor nicht am VP-Anschlussstecker!**


Um das VP-Kabel am Sensor anzuschliessen, richten Sie die Nut am VP-Stecker mit dem Nocken in der Steckerbuchse aus. Schieben Sie anschliessend die Buchse auf den Stecker und schrauben Sie sie fest.



4.2.2 Anschluss des VP- oder K8S Kabels am Transmitter



 **Hinweis:** Die richtige Kabelbelegung finden Sie in der Anleitung zum METTLER TOLEDO VP-Kabel.

 **Hinweis:** Um das VP-Kabel mit dem Transmitter zu verbinden, beachten Sie die Anweisungen in der METTLER TOLEDO Transmitter Bedienungsanleitung.

5 Betrieb



Wichtig! Vor der ersten Inbetriebnahme sollte der Elektrolyt gewechselt werden (siehe «Kapitel 6.2»). Durch erschwerte Transport und Lagerbedingungen (z.B. im Flugzeug, Druck- und Temperaturschwankungen) kann es zu einer verminderten Elektrolytqualität kommen. Schlechte Elektrolytqualität kann zu Messabweichungen führen.

5.1 Inbetriebnahme und Polarisation



Wichtig! Bevor der Sensor in Betrieb genommen wird, ist die grüne Schutzkappe zu entfernen.

Bei der ersten Inbetriebnahme oder nach einer Trennung des Sensors von der Spannungsquelle (Transmitter oder O₂ Sensor-Master) von mehr als 5 Minuten, muss der Sensor vor der Kalibrierung zur Polarisation an den eingeschalteten O₂-Transmitter oder an den O₂ Sensor-Master angeschlossen werden. Nach sechs Stunden ist der Sensor polarisiert und betriebsbereit. Falls der Sensor nur für wenige Minuten von der Spannungsquelle getrennt wurde, ist eine kürzere Polarisationszeit ausreichend. Folgende Tabelle dient zur Ermittlung der korrekten Polarisationszeit in Abhängigkeit von der Depolarisationszeit.

Depolarisationszeit ¹⁾ t_{depol} [Min.]	Minimal notwendige Polarisationszeit ²⁾ [Min.]
$t_{\text{depol}} > 30$	360
$30 > t_{\text{depol}} > 15$	$6 * t_{\text{depol}}$
$15 > t_{\text{depol}} > 5$	$4 * t_{\text{depol}}$
$t_{\text{depol}} < 5$	$2 * t_{\text{depol}}$

¹⁾ Depolarisationszeit:

Zeitspanne, während der die Polarisationsspannung nicht anliegt. Dies ist der Fall während:

- eines Elektrolytwechsels
- eines Membrankörperwechsels
- wenn das Kabel abgekoppelt ist oder kein Transmitter oder Polarisationsmodul am Kabel angeschlossen ist

²⁾ Polarisationszeit:

Zeitspanne, während der der Sensor mit einer Polarisationsspannung beaufschlagt ist.



Wichtig! Die Einstellung der Polarisationsspannung am Transmitter für korrekte Messungen:

- Standardapplikationen (z.B. Messungen in der Biotechnologie): **– 675 mV**
- Messungen von permanent niedrigen Sauerstoffkonzentrationen < 500 ppb in Gegenwart von sauren, flüchtigen Komponenten (z.B. Kohlendioxid bei Messung in Brauerei): **– 500 mV**

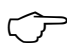


Wichtig! Der Transmitter ist so einzustellen, dass er die korrekte Polarisationsspannung liefert.

5.2 Kalibrierung


5.2.1 Zweck der Kalibrierung

Jeder Sauerstoffsensor hat eine individuelle Steilheit und einen individuellen Nullpunkt. Beide Werte ändern sich z.B. durch Elektrolytverbrauch oder nach Austausch des Elektrolyten oder des Membrankörpers. Um eine hohe Messgenauigkeit des Sensors zu erzielen, muss deshalb nach einem Elektrolyt- oder Membranwechsel eine Kalibrierung durchgeführt werden. Vor der Kalibrierung muss der Sensor mindestens 6 Stunden polarisiert werden.

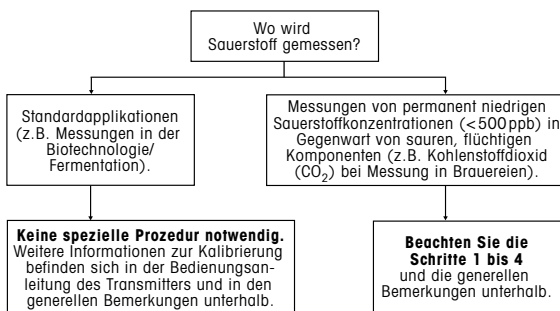
 **Eine Nullpunktkalibrierung ist nur dann sinnvoll, wenn eine höhere Genauigkeit bei sehr niedriger Sauerstoffkonzentration erwünscht wird.**


 **Um zu prüfen, ob der Sensor kalibriert werden muss, trocknen Sie den Sensor ab und halten Sie ihn in die Luft. Der Transmitter sollte jetzt einen Wert von nahezu 100 % anzeigen. Ist dies nicht der Fall, muss der Sensor nachkalibriert werden.**


5.2.2 Was müssen Sie bei der Kalibrierung beachten


 **Achtung!** Bei Messungen von permanent niedrigen Sauerstoffkonzentrationen (< 500 ppb) in der Gegenwart von sauren, flüchtigen Komponenten (z.B. Kohlenstoffdioxid (CO₂) bei Messung in Brauereien) sollte die unten beschriebene Prozedur durchgeführt werden. Dies gewährleistet die beste Messgenauigkeit.


Für Messungen in Standardapplikationen (z.B. Messungen in der Biotechnologie/Fermentation) ist die unten beschriebene Prozedur nicht notwendig.




 **Erster Schritt:** Stellen Sie die Polarisationsspannung des Transmitters auf – 675 mV. Detaillierte Information zur Einstellung finden Sie in der Bedienungsanleitung des Transmitters.

 **Zweiter Schritt:** Nachdem die Polarisationsspannung auf – 675 mV gestellt wurde ist eine Ausgleichszeit notwendig. Warten Sie für mindestens 5 Minuten bevor Sie Schritt 3 ausführen.

 **Dritter Schritt:** Führen Sie die Kalibrierung laut der Vorgehensweise in der Transmitter Bedienungsanleitung durch.

 **Vierter Schritt:** Stellen Sie die Polarisationsspannung des Transmitters zurück auf – 500 mV.

 Mit dem Transmitter M 700 lassen sich die **Schritte 1 bis 4** automatisch durchführen. Dadurch kann die Routine auf wenige Tastendrücke minimiert werden. Dazu muss der Transmitter mit der Softwarefunktion SW700-011 «CO₂ Kompensation» ausgerüstet sein. Bitte fragen Sie Ihren zuständigen METTLER TOLEDO Berater.

 **Generelle Bemerkungen:**

- **Für die Kalibrierung an Luft muss die Membran des Sensors trocken sein**, da anhaftende Wassertropfen den Sauerstoffmesswert verfälschen.
- Stellen Sie sicher, dass der **Sauerstoff-Sättigungsindex** des Kalibriermediums **stimmt** und während der Kalibrierung **konstant bleibt**.
- Falls die Kalibrierung in Wasser oder Messmedium erfolgt, muss sich das **Kalibriermedium mit Luft im Gleichgewichtszustand** befinden. Der Sauerstoffaustausch zwischen Wasser und Luft läuft nur sehr langsam ab. Es dauert daher relativ lange, bis Wasser mit Luft gesättigt ist.
- Eine gewisse Mindestanströmung des Sensors mit dem Kalibriermedium muss gewährleistet sein.
- Bei der Kalibrierung in einem Fermenter soll die Kalibrierung **nach der Sterilisation** durchgeführt werden, da die Sterilisation die Steilheit des Sensors verändern kann. Wenn die Kalibrierung nicht nach der Sterilisation erfolgen kann, sollte ein bereits einmal am Sensor aufgesetzter und vorsterilisierte Membrankörper verwendet werden, da vor allem nach der ersten Sterilisation eines neuen Membrankörpers eine Steilheitsänderung von einigen Prozent auftreten kann.
- Achten Sie darauf, dass alle anderen Parameter wie Temperatur und Druck, während der Kalibrierung konstant bleiben

Bei Dauerbetrieb empfehlen wir eine periodische Nachkalibrierung entsprechend der gewünschten Genauigkeit, der Art des Prozesses und Ihrer Erfahrung. Die Häufigkeit der notwendigen Nachkalibrierung ist stark applikationsspezifisch und kann daher an dieser Stelle nicht genau definiert werden.

5.2.3 Einpunktkalibrierung

Durch die Einpunktkalibrierung wird die aktuelle Steilheit des Sensors ermittelt. Als Kalibriermedium dient Wasser mit bekannter Sauerstoffsättigung (z.B. luftgesättigtes Wasser) oder Luft mit bekannter Wasserdampfsättigung (wasserdampfgesättigte Luft).

Nach Erreichen eines stabilen Signals wird der Sensor mit dem jeweiligen Transmitter auf den 100%-Wert der gewünschten Messgröße kalibriert, z.B. 100% Luft, 20.95% O₂ oder 8.26 ppm – bei 25 °C (77 °F) und Normaldruck (siehe Anleitung zum Transmitter).

Die Einpunktkalibrierung ist für die meisten Prozesse ausreichend.

5.2.4 Zweipunktkalibrierung

Durch die Zweipunktkalibrierung werden Steilheit und Nullpunkt des Sensors ermittelt.



Wichtig! Bei einer Zweipunktkalibrierung muss immer **zuerst die Nullpunktkalibrierung** durchgeführt werden, bevor die Steilheit ermittelt wird.

Aufgrund des sehr geringen Nullstroms von METTLER TOLEDO Sensoren ist bei Standardanwendungen die Zweipunktkalibrierung nicht erforderlich.

In der Regel sollte der Nullpunkt auf Null gesetzt werden bzw. wird automatisch vom Transmitter auf Null gesetzt (siehe Bedienungsanleitung des Transmitters). Eine Nullpunktkalibrierung ist nur dann sinnvoll, wenn eine höhere Genauigkeit bei sehr niedriger Sauerstoffkonzentration erwünscht wird.



Achtung! Eine unkorrekte Nullpunktkalibrierung ist eine häufige Fehlerquelle. Für eine korrekte Durchführung empfehlen wir als Nullpunktmedium Stickstoff oder ein anderes sauerstofffreies Medium mit einem Reinheitsgrad von mindestens 99.995%.

Nach Erreichen eines stabilen Sensorsignals (nach etwa 20-30 Minuten) wird der Sensor mit dem jeweiligen Transmitter auf den Nullwert der gewünschten Messgröße kalibriert, z.B. 0% Luft, 0.0% O₂ oder 0.0 ppm (siehe Bedienungsanleitung des Transmitters).

6 Wartung

6.1 Kontrolle des Sensors

6.1.1 Visuelle Kontrolle

Zur Überprüfung des Sensors empfehlen wir folgende Vorgehensweise:

- Die Kontakte am Anschlussstecker müssen trocken sein. Feuchtigkeit, Korrosion und Schmutz im Anschlussstecker können zu Fehlanzeigen führen.
- Kabel auf Knickstellen, spröde Stellen oder Brüche überprüfen.
- Vor jeder Kalibrierung sollte die Membranfolie optisch auf Beschädigung geprüft werden. Sie muss unverletzt und sauber sein. Bei verschmutzter Membran ist sie mit einem feuchten, weichen Lappen abzureiben.



Hinweis: Eine verformte Membrane hat keinen Einfluss auf die Messgenauigkeit, sofern Sie nicht beschädigt ist.

- Der Membrankörper muss ersetzt werden, wenn der Sensor eine zu lange Ansprechzeit aufweist, der Anzeigewert nicht stabil bleibt oder wegdriftet, der Sensor nicht kalibriert werden kann oder die Membran mechanisch beschädigt ist.
- Kathodenbereich auf Verfärbungen, Beläge und Glassprünge überprüfen. Gegebenenfalls mit demineralisiertem Wasser spülen und mit weichem, sauberen Pinsel oder weichem Papiertuch reinigen.



Achtung! Keinerlei Reinigungsmittel oder Alkohol verwenden. Diese können den Sensor beschädigen oder zu Fehlströmen führen.

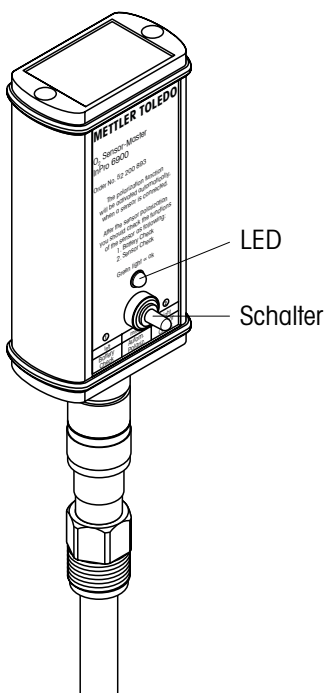


Achtung! Der Innenkörper aus Glas ist zerbrechlich und empfindlich gegen Erschütterungen.

6.1.2 Kontrolle des Sensors mit dem METTLER TOLEDO O₂ Sensor-Master InPro 6800

Zur einfachen Überprüfung der Funktionstüchtigkeit des Sensors empfehlen wir den als Zubehör erhältlichen O₂ Sensor-Master InPro 6800. Um den Sensor zu kontrollieren, gehen Sie wie folgt vor (für ISM digital Sensoren nicht anwendbar):

- Sensor an den O₂ Sensor-Master anschliessen.



Sobald der Sensor am O₂ Sensor-Master angeschlossen ist, wird automatisch die Polarisierfunktion aktiviert und der Sensor mit der richtigen Polarisationsspannung versorgt. Falls der Sensor für mehr als 5 Minuten vom Transmitter getrennt war, muss er zuerst polarisiert (Polarisationszeiten siehe «Kapitel 5.1») werden, bevor aussagekräftige Testresultate erzielt werden.

- **Kontrolle der Batterie:**
Schalter nach links drücken. Ist der Ladezustand der Batterie ok leuchtet die grüne LED. Andernfalls konsultieren Sie die Bedienungsanleitung zum O₂ Sensor-Master.
- **Sensor Check:**
Für diesen Test müssen der O₂-Sensor **vollständig polarisiert** und die **Membran des Sensors trocken und sauber** sein.

Halten Sie den am O₂ Sensor-Master angeschlossenen Sensor in die Luft. Drücken Sie anschliessend den Schalter nach rechts auf die Position «2 – Sensor check». Der O₂ Sensor-Master prüft, ob der Elektrodenstrom für Luft, den der Sensor liefert, im zulässigen Bereich liegt (40 bis 100 nA für den InPro 6800). Leuchtet die grüne LED, liegt der Elektrodenstrom im zulässigen Bereich.

Leuchtet die LED nicht, prüfen Sie die Batterie des O₂ Sensor-Master (siehe Bedienungsanleitung «Zubehör»). Ist die Batterie ok, liegt der Fehler möglicherweise beim Sensor. Ersetzen Sie den Elektrolyten und/oder den Membrankörper des Sensors. Leuchtet die LED auch nach dem Austausch des Membrankörpers nicht, ersetzen Sie auch noch den Innenkörper des Sensors (siehe «Kapitel 6.2»).



Wichtig! Mit der Sensor Check-Funktion wird nur die Korrektheit des Elektrodenstromes an Luft überprüft. Um sicher zu gehen, dass der Sensor korrekt arbeitet, muss auch der Nullstrom mit einer Messung in sauerstofffreiem Medium überprüft werden (siehe «Kapitel 6.1.3»).

6.1.3 Kontrolle des Sensors mit dem Transmitter

Zur Überprüfung der korrekten Sensorfunktion ist eine periodische Nullstrommessung (**keine Nullpunktkalibrierung!**) empfehlenswert.



Hinweis: Für die Nullstrommessung muss der Sensor polarisiert sein.

Die Nullstrommessung wird mit Hilfe eines Nullstromgels (Art.-Nr. 30 300 435) durchgeführt, kann aber auch in Stickstoff oder Kohlendioxid Kalibriergasen (Reinheit von mindestens 99.995 %) oder in einem mit diesen Gasen gesättigten Messmedium erfolgen.

Nach 2 Minuten in einem sauerstofffreien Messmedium sollte der Sensor weniger als 10 % und nach 10 Minuten weniger als 1 % des Luftmesswertes liefern.

Zu hohe Messwerte deuten auf einen erschöpften Elektrolyten oder eine defekte Membran hin. Im ersten Fall ist der Elektrolyt und im zweiten Fall der Membrankörper mit Elektrolyt zu wechseln.

Sollten die oben erwähnten Werte nach dem Austausch des Elektrolyten und des Membrankörpers nicht erreicht werden, ersetzen Sie den Innenkörper des Sensors. Hilft auch diese Massnahme nichts, senden Sie den Sensor zur Inspektion an Ihre METTLER TOLEDO Vertretung.

In vielen Messmedien befinden sich leicht flüchtige Substanzen, die bereits in sehr geringen Konzentrationen einen deutlich wahrnehmbaren Geruch besitzen. Diese Substanzen können wie Sauerstoff durch die gasdurchlässige Membran in den Elektrolyten eindringen und sind beim Austausch des Elektrolyten entsprechend wahrnehmbar. Solche Substanzen, wie auch eine leichte Verfärbung des Elektrolyten haben in den meisten Fällen absolut keinen Einfluss auf die Messeigenschaften des Sensors.

6.2 Ersetzen des Elektrolyten, des Membrankörpers oder des Innenkörpers

METTLER TOLEDO O₂-Sensoren werden mit montiertem Membrankörper ausgeliefert und sind auf einwandfreie Funktionsweise geprüft.

Wenn ein Sensor nach der Lieferung für mehrere Monate gelagert wird, sollte der Elektrolyt vor Gebrauch erneuert werden.

Arbeitet die Membran und/oder der Innenkörper nicht mehr einwandfrei (zu lange Ansprechzeiten, hoher Nullstrom in sauerstofffreiem Medium, mechanische Beschädigung, etc.) muss der Membrankörper und/oder der Innenkörper ausgetauscht werden.



Achtung! Der O₂-Elektrolyt ist mit einem pH-Wert von 13 sehr alkalisch. Vermeiden Sie deshalb den Kontakt des Elektrolyten mit der Haut, insbesondere mit den Schleimhäuten und den Augen. **Tragen Sie deshalb für die nachfolgend beschriebenen Austauscharbeiten immer Schutzhandschuhe und eine Schutzbrille.** Sollten Sie trotzdem mit dem Elektrolyten in Berührung kommen, spülen Sie den betroffenen Körperteil sofort mit viel Wasser ab. Bei Unwohlsein sofort einen Arzt hinzuziehen.

Für den Austausch des Elektrolyten, des Membrankörpers oder des Innenkörpers, gehen Sie wie folgt vor (siehe auch nachfolgende Abbildung):



Achtung! Führen Sie die nachfolgenden Arbeitsschritte nur an einem **sauberen Arbeitsplatz** aus.

1. Überwurfhülse vom Sensorschaft abschrauben und vorsichtig vom Sensor ziehen.
2. Membrankörper vom Innenkörper abziehen. Ist der Membrankörper in der Überwurfhülse festgeklemmt, sollte er mit der flachen Seite der Fingerspitzen aus dieser herausgedrückt werden. Vor einem Elektrolytwechsel muss der Membrankörper unbedingt aus der Überwurfhülse entfernt werden!
3. Den Innenkörper mit destilliertem Wasser abspülen und sorgfältig mit einem Papiertuch trocknen.



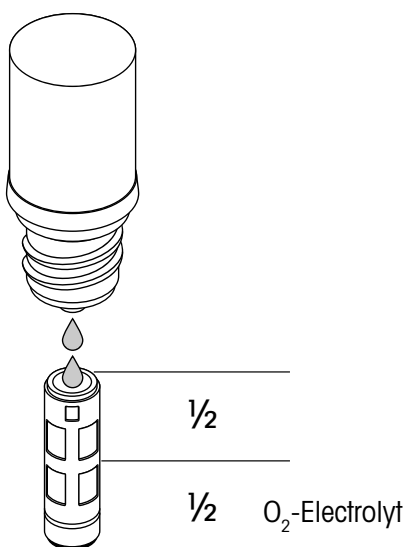
Hinweis: Schritte 4 bis 7 müssen nur für den Austausch des Innenkörpers ausgeführt werden.

4. Kontermutter mit einem Rollgabelschlüssel oder Gabelschlüssel 3/8" lösen.
5. Innenkörper aus dem Sensorschaft ziehen. Falls nötig Zange verwenden.



Achtung! Innenkörper beim Herausziehen nicht drehen, sonst können die Kontaktstifte abbrechen.

6. Neuen Innenkörper in den Sensorschaft einsetzen und soweit drehen, bis die Nut im Innenkörper im Nocken des Sensorschaftes einrastet.
7. Innenkörper bis zum Anschlag in den Sensorschaft hineindrücken. Anschliessend Kontermutter anbringen und festziehen.
8. Alle O-Ringe auf Beschädigungen prüfen und falls nötig ersetzen.
9. Den neuen Membrankörper bis zur Hälfte mit O₂-Elektrolyt füllen. Darauf achten, dass im gefüllten Membrankörper keine Luftblasen vorhanden sind. Luftblasen können durch vorsichtiges Klopfen an den Membrankörper entfernt werden.

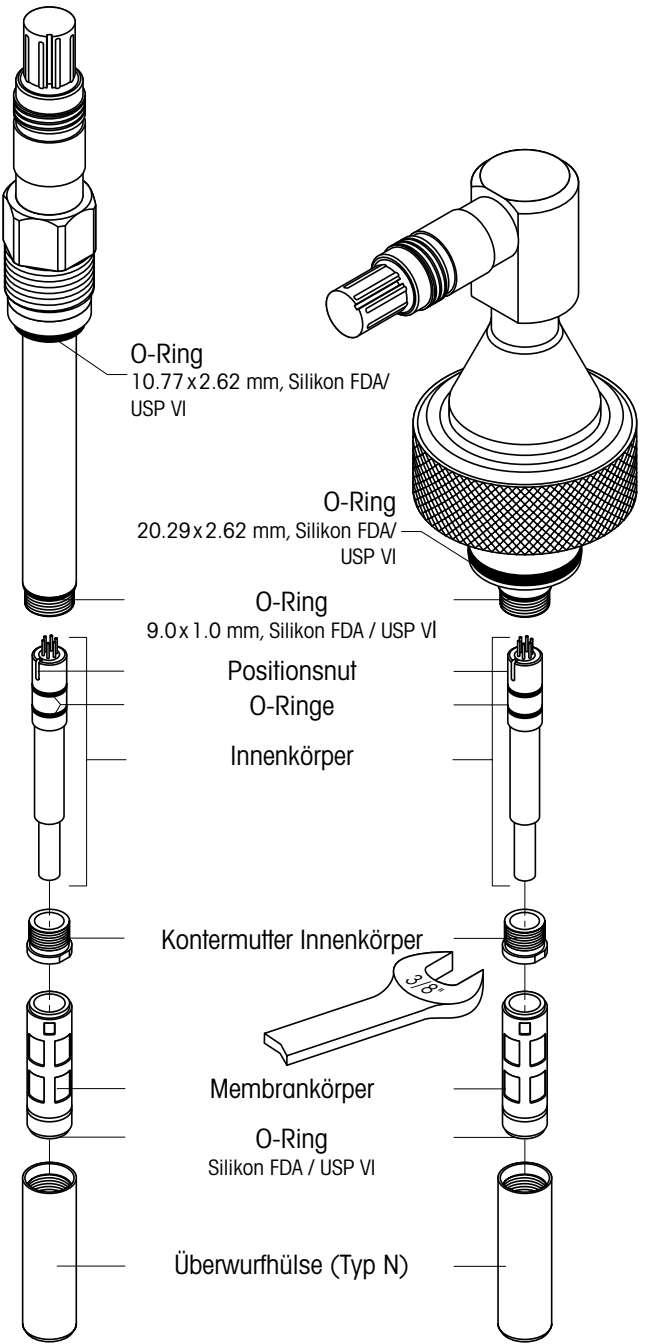


10. Den Membrankörper in senkrechter Position auf den Innenkörper schieben und überschüssigen Elektrolyt mit einem Papiertuch entfernen.



Wichtig! Zwischen Membrankörper und Überwurfhülse dürfen sich weder Elektrolyt noch Messmedium oder andere Verunreinigungen befinden. Bitte genau prüfen!

11. Die Überwurfhülse vorsichtig über den montierten Membrankörper schieben und festschrauben. Die Überwurfhülse muss sauber und trocken sein.
12. Nach einem Austausch des Elektrolyten oder des Membrankörpers oder des Innenkörpers ist der Sensor zu polarisieren und zu kalibrieren.



7 Lagerung

Der Sensor kann, gefüllt mit O₂-Elektrolyt (Art.-Nr. 30 298 424) und aufgesetzter Schutzkappe, über mehrere Monate gelagert werden. Um bei Wiederinbetriebnahme die Polarisationszeit von 6 Stunden zu umgehen, kann der Sensor, an einem METTLER TOLEDO O₂ Sensor-Master InPro 6800 angeschlossen, gelagert werden.



Achtung! Bei einer Lagerung von mehr als 3 Monaten sollte vor Gebrauch der Elektrolyt gewechselt werden.

Bei einer Lagerung über mehr als 6 Monate sollte der **Sensor trocken**, d.h. ohne Elektrolyt im Membrankörper, gelagert werden.



Achtung! Ein trocken gelagerter Sensor (ohne Elektrolyt im Membrankörper) darf **auf keinen Fall an den O₂ Sensor-Master InPro 6800 oder an ein anderes Polarisationsmodul angeschlossen** werden.

8 Produktspezifikationen

8.1 Zertifikate

Jeder Sensor wird mit einem Set von **3.1 Zertifikaten** (entsprechend EN 10204) ausgeliefert.

Alle mit dem Prozessmedium in Berührung kommenden Metallteile (Sensorschaft, Überwurfhülse und Membrankörper) sind mit einem Symbol gekennzeichnet, das auf die Schmelznummer auf dem mitgelieferten Zertifikat verweist.

Alle mit dem Prozessmedium in Berührung kommenden Metallteile (Sensorschaft, Überwurfhülse und Membrankörper) sind poliert, damit Sie eine Oberflächenrauheit von weniger 0.4 µm (16 µin) aufweisen. Dies entspricht einer Oberflächenrauheit von N5 (entsprechend ISO 1320:1992).

8.2 Technische Daten



Achtung! Beachten Sie das mitgeltende Zusatzblatt 52 201 146, wenn der Sensor, in Verbindung mit dem Membrankörper T-6800 Gas, zur Messung des Sauerstoffpartialdrucks in Gasen verwendet wird. Das Zusatzblatt befindet sich nur in der Verpackung der T-6800 Gas Membrankörper und Kits.

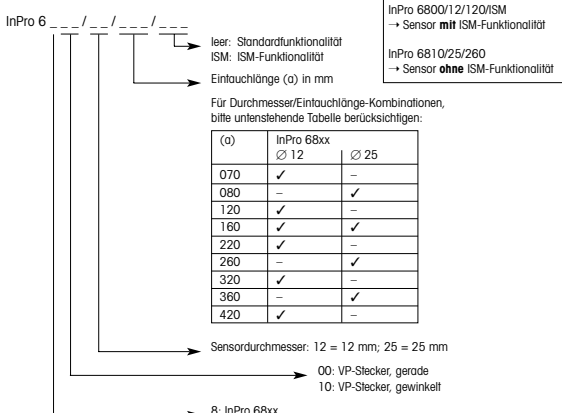
InPro 6800	
Messprinzip	Amperometrisch/ Polarographisch
Betriebsbedingungen	
Zulässiger Druckbereich (Messung)	0.2...6 bar absolut
Mechanische Druckbeständigkeit	max. 12 bar absolut
Zulässiger Temperaturbereich (Messung)	0...80°C
Temperaturbereich (Beständigkeit)	- 5...140°C (sterilisierbar/autoklavierbar)
Konstruktionsmerkmale	
Temperaturkompensation	automatisch mit eingebaut. RTD
Kabelanschluss	Vario Pin (IP 68), gerade oder gewinkelt K8S gerade für digital Sensoren
O-Ring-Material	Silikon FDA und USP VI geprüft
Membran-Material	PTFE/Silikon/PTFE (mit Stahlnetz armiert)
Medienberührte Metallteile	Rostfreier Stahl Spezielle Materialien auf Anfrage
Oberflächenrauheit medienberührte Metallteile (ISO 1320:1992)	N5 (R _a < 0.4 µm)
Quick Disconnect-Innenkörper	Standard
Kathode	Pt
Anode	Ag
Schutzring	Nein
Abmessungen	
Sensordurchmesser	12 oder 25 mm
Eintauchlänge (α) 12 mm sensor	70, 120, 220, 320, 420 mm
Eintauchlänge (α) 25 mm Sensor	80,160, 260, 360 mm
Sensorleistung	
Nachweisgrenze	6 ppb
Genauigkeit	≤ ± [1 % + 6 ppb] vom Messwert in Flüssigkeiten
Ansprechzeit bei 25°C (Luft → N ₂)	98% des Endwertes < 90 s
Sensorsignal in Raumluft (25°C)	50...110 nA
Restsignal in sauerstofffreiem Medium	< 0.1 % des Signals in Raumluft
Strömungsabhängigkeit des Sensorsignals	≤ 5%
Zertifikate	
EHEDG, 3A	Ja
3.1 (EN 10204)	Ja
ATEX, IECEx und UKEX-Zertifikat	Ja
FM Approval	Ja
FDA / USP VI	Ja
Qualitäts-/Endkontrolle	Ja
Kompatibilität	
mit METTLER TOLEDO Transmitter	siehe «Kapitel 9.4»
mit METTLER TOLEDO Armaturen	siehe «Kapitel 9.5»

9 Bestellinformationen

Weitere, detaillierte Informationen finden Sie im Technischen Datenblatt. Fragen Sie Ihren Lieferanten.

9.1 Sensoren

Intelligent Sensor Management (ISM) O₂ Sensor Konfiguration



Sensor ohne ISM Funktionalität

Eintauchlänge (a)	Ø 12 mm		Ø 25 mm	
	gerade	gewinkelt	gerade	gewinkelt
70 mm (2.8")	52 200 964	52 200 969	—	—
80 mm (3.2")	—	—	52 200 974	52 200 978
120 mm (4.7")	52 200 965	52 200 970	—	—
160 mm (6.3")	—	—	52 200 975	52 200 979
220 mm (8.7")	52 200 966	52 200 971	—	—
260 mm (10.2")	—	—	52 200 976	52 200 980
320 mm (12.6")	52 200 967	52 200 972	—	—
360 mm (14.2")	—	—	52 200 977	52 200 981
420 mm (16.5")	52 200 968	52 200 973	—	—

9.2 Zubehör

Zubehör	Bestell-Nr.
O ₂ Sensor-Master InPro 6800	52 200 892
O ₂ Sensor-Simulator	52 200 891
Adapter T82 Buchse – VP Stecker	52 200 939
Adapter VP Buchse – T82 Stecker	52 200 940
VP Kabel VP6-ST/ 3 m	52 300 108
VP Kabel VP6-ST/ 5 m	52 300 109
VP Kabel VP6-HT/ 3 m	52 300 112
VP Kabel VP6-HT/ 5 m	52 300 113
VP Kabel VP8-ST/ 3 m	52 300 354
VP Kabel VP8-ST/ 5 m	52 300 355
VP Kabel VP8-HT/ 3 m	52 300 361
VP Kabel VP8-HT/ 5 m	52 300 362
Sauerstoff Nullstrom-Gel (3 × 25 ml)	30 300 435

Für weitere Kabellängen,-typen fragen Sie Ihre METTLER TOLEDO Verkaufsstelle.

9.3 Ersatzteile

Ersatzteil	Bestell-Nr.
Membrankörper, einfach T-96	52 200 071
Membran-Kit T-96 (4 Membrankörper, 1 O-Ring Set, 25 ml Flasche mit Elektrolyt)	52 200 024
O ₂ Membrankörper T-96 (16 Stk.)	52 206 114
O ₂ Elektrolyt-Pack (3 × 25 ml)	30 298 424
Innenkörper InPro 6800 «Quick disconnect»	52 200 899
Überwurfhülse Typ N	52 200 037
Überwurfhülse mit Schutzkorb Typ P	52 200 038

9.4 Empfohlene Transmitter



Hinweis: Fragen Sie Ihre METTLER TOLEDO Verkaufsstelle.

9.5 Empfohlene Armaturen

Armatur	12 mm Ø	25 mm Ø	
Statische Armatur			Bitte fragen Sie ihre METTLER TOLEDO Verkaufs- organisation
INGOLD «Sicherheits- Einschweisstützen»	–	✓	
InFit 761 CIP	✓	–	
Wechselarmatur			
InFit 777 e	✓	–	
InFit 797 e	✓	–	
Eintaucharmatur			
InDip™ 550	✓	–	



Hinweis: Die Armaturen sind in verschiedenen Versionen erhältlich. Um sicherzustellen, dass die Bestellnummer mit der gewünschten Version übereinstimmt, nehmen Sie bitte mit Ihrer Verkaufsstelle Kontakt auf.

10 Theorie der polarographischen Sensoren

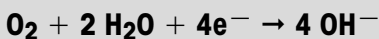
10.1 Einführung

In der analytischen Messung werden zwei verschiedene Typen von Elektroden verwendet: Die **potentiometrischen** und die **amperometrischen**.

- Die potentiometrischen Elektroden entwickeln eine Spannung, die durch die Aktivität eines spezifischen Ions erzeugt wird. Beispiele solcher Elektroden sind: Glaselektroden (z.B. pH-Elektroden) und die meisten ionenselektiven Elektroden. Ihre individuellen Spannungswerte können jedoch nicht bestimmt werden. Die messbare Wert ist die Potentialdifferenz zwischen der Messelektrode und einer fixen Referenzelektrode. Der Spannungswert der Referenzelektrode muss dabei konstant sein. Alle potentiometrischen Elektroden unterliegen den Gesetzen nach Nernst. Aus diesem Grund können die Elektroden und die Messinstrumente in den meisten Fällen untereinander ausgetauscht werden. Eine wichtige Eigenschaft der potentiometrischen Messungen ist die praktisch stromlose Bestimmung der Elektrodenspannung. Dadurch entstehen im Messmedium keine chemischen Reaktionen und das Messmedium bleibt im Gleichgewicht.
- Bei den amperometrischen Elektroden, wie zum Beispiel den O₂-Elektroden, basiert die Messung auf einer Strommessung.

Die O₂-Elektroden bestehen aus einer Kathode und einer Anode, die über einen Elektrolyten miteinander leitend verbunden sind. Eine geeignete Polarisierungsspannung zwischen Anode und Kathode reduziert den Sauerstoff an der Kathode.

Reaktion an der Kathode:



Reaktion an der Anode:



Aus diesen chemischen Reaktionen resultiert ein Strom, der proportional zum Sauerstoffpartialdruck (p_{O_2}) ist. Die Sauerstoffelektrode verbraucht laufend Sauerstoff, der aus der Messlösung herausgelöst wird. Deshalb sind die Viskosität und der Durchsatz der Messlösung wichtige Einflussgrößen.

Der Elektrodenstrom einer Sauerstoffelektrode ist nicht nur durch den Sauerstoffpartialdruck, sondern durch weitere Elektrodenparameter bestimmt. Der Elektrodenstrom unterschiedlicher Elektroden kann in mehreren Zehnerpotenzen voneinander abweichen. Aus diesem Grund können Sauerstoffelektroden und Transmitter nicht frei ausgetauscht werden.

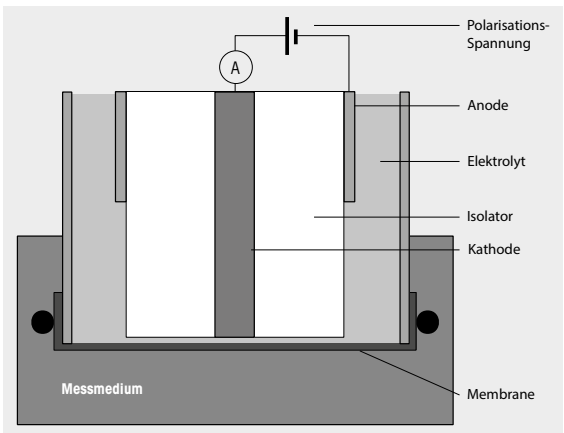
10.2 Prinzipieller Aufbau von O₂-Elektroden

Es gibt zwei Arten von Sauerstoffelektroden:

- Elektroden **ohne** Membran.
- Elektroden **mit** gasdurchlässiger Membran (Clark Prinzip).

Die Membranelektrode nach Clark ist die heute am meisten verwendete Elektrode. Im Vergleich zu den Elektroden ohne Membran weisen Sie folgende Vorteile auf:

- Sauerstoffmessung in Gasen und Lösungen.
- Keine gegenseitige Verunreinigung von Elektrode und Messmedium.
- Keine oder sehr geringe Abhängigkeit von den Strömungsbedingungen im Medium.



Bei den Clark-Elektroden ist die konstruktive Auslegung sehr wichtig. Speziell die Dicke des Elektrolytfilms zwischen der Kathode und der Membrane muss in sehr engen Grenzen gehalten werden, um eine gute Linearität und einen tiefen Nullstrom (Strom in reinem Stickstoff) zu gewährleisten. Die obenstehende Abbildung zeigt den prinzipiellen Aufbau von Clark Sauerstoffelektroden.

10.3 Einflussgrößen auf den Elektrodenstrom

Die Menge des diffundierten Sauerstoffs und die Größe des Elektrodenstromes werden von folgenden Einflussgrößen bestimmt:

- Sauerstoffpartialdruck im Messmedium.
- Membranmaterial und -dicke.
- Größe der Kathode.
- Polarisationsspannung.
- Temperatur.
- Strömungsbedingungen im Messmedium.

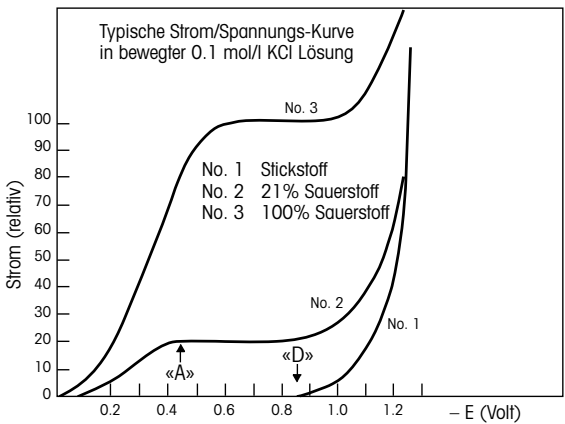
Das Gesetz nach Fick zeigt den mathematischen Zusammenhang dieser Einflussgrößen auf:

$$I = k \times D \times a \times A \times \frac{pO_2}{X}$$

- I = Elektrodenstrom
- k = Konstant
- D = O₂-Durchdringungskoeffizient der Membran
- a = Sauerstofflöslichkeit des Membranmaterials
- A = Kathodenoberfläche
- pO₂ = Sauerstoffpartialdruck im Messme
- X = Dicke der gasdurchlässigen Membran

10.4 Polarisationsspannung

Die Spannung zwischen Anode und Kathode ist so festgelegt, dass der Sauerstoff an der Kathode voll reduziert wird (> A, siehe Polarogramm), während die anderen Gase nicht angegriffen werden (< D). Die ideale Polarisationsspannung für Pt/Ag/AgCl Systeme liegt zwischen -500 und -750 mV.



Die Polarisationsspannung sollte so konstant wie möglich sein. Neben einer konstanten Spannungsquelle müssen folgende Voraussetzungen erfüllt werden:
Der elektrische Widerstand des Elektrolytfilms darf einen spezifischen Wert nicht überschreiten, damit ein Spannungsabfall verhindert wird.
Die Anode muss eine grosse Oberfläche aufweisen, damit sie nicht vom Elektrodenstrom polarisiert wird.

10.5 Temperatur

Die Temperaturabhängigkeit des Elektrodenstroms bezogen auf einen konstanten Sauerstoffpartialdruck ist überwiegend durch die Eigenschaften der gasdurchlässigen Membran bestimmt.

10.6 Strömungsabhängigkeit

Bei den meisten Sauerstoffelektroden ist der Elektrodenstrom in ruhigen Messmedien kleiner, als in bewegten Medien. Durch den Sauerstoffverbrauch der Elektrode wird ausserhalb der Membran in unmittelbarer Nähe der Kathode Sauerstoff aus dem Messmedium herausgelöst. Der herausgelöste Sauerstoff wird durch Diffusion innerhalb des Messmediums wieder ersetzt. Ist der Elektrodenstrom sehr hoch, kann der herausgelöste Sauerstoff durch die Diffusion nicht mehr vollständig ersetzt werden. Dadurch resultiert ein Elektrodenstrom der tiefer ist, als der, der tatsächlich dem Messmedium entsprechen würde. In bewegten Messmedien wird der verbrauchte Sauerstoff nicht nur durch Diffusion innerhalb der Flüssigkeit zugeführt, sondern zusätzlich durch die vorbeiströmende Flüssigkeit (Konvektion). Dadurch wird eine Abnahme des Sauerstoffgehaltes an der Membranoberfläche verhindert.

Stark abhängig von den Strömungsbedingungen sind Elektroden mit grossen Kathoden und dünnen hochdurchlässigen Membranen (Elektroden mit hohem Elektrodenstrom).

Das Problem der Strömungsabhängigkeit kann meistens durch eine minimale Strömung im Messmedium gelöst werden.

In METTLER TOLEDO InPro 6800 Sensoren ist die PTFE-Membran, die den Elektrodenstrom (d.h. das aktuelle Messsignal) bestimmt, durch eine relativ dicke Silikonmembran vom Messmedium getrennt. Die Silikonmembran ist hochdurchlässig für Sauerstoffmoleküle und dient damit als Sauerstoffreservoir. Die Diffusion des Sauerstoffs vom Messmedium in die Silikonmembran wird über einen grossen Bereich verteilt. Dadurch wird weniger Sauerstoff pro Flächeneinheit herausgelöst. Die PTFE/Silikonmembran agiert somit als Puffer gegen hydrodynamische Störungen.

10.7 Sauerstoffpartialdruck – Sauerstoffkonzentration

Der Elektrodenstrom ist abhängig vom Sauerstoffpartialdruck und der Sauerstoffdurchlässigkeit der Membran – nicht aber von der Sauerstofflöslichkeit des Messmediums. Die Sauerstoffkonzentration in mg O₂/l (CL) kann deshalb nicht direkt mit einer Elektrode bestimmt werden.

Gemäss dem Gesetz nach Henry ist die Sauerstoffkonzentration proportional zum Sauerstoffpartialdruck (pO₂).

$$CL = pO_2 \times \alpha$$

α = Löslichkeitsfaktor

Wenn « α » konstant ist, kann die Sauerstoffkonzentration mit der Elektrode bestimmt werden. Dies stimmt jedoch nur, bei konstanter Temperatur und für verdünnte wässrige Lösungen, wie zum Beispiel Trinkwasser.

Der Löslichkeitsfaktor ist nicht nur im starken Masse von der Temperatur abhängig, sondern auch von der Zusammensetzung des Messmediums:

Medium, gesättigt mit Luft	Löslichkeit bei 20 °C (68 °F) und 760 mm Hg
Wasser	9.2 mg O ₂ /l
4 mol/l KCl	2 mg O ₂ /l
50 % Methanol-Wasser	21.9 mg O ₂ /l

Obwohl die Löslichkeit sehr stark variiert, ergeben die Messungen mit der Sauerstoffelektrode für alle Messmedien den gleiche Wert.

Folglich ist die Bestimmung der Sauerstoffkonzentration nur möglich, wenn der Löslichkeitsfaktor « α » bekannt und konstant ist.

Die Löslichkeit kann mit einer Winkler Titration oder der durch Käppeli und Fiechter entwickelten Methode bestimmt werden.

Referenzen

- W.M. Krebs, I.A. Haddad *Develp. Ind. Microbio.*, 13, 113 (1972)
- H. Bühler, *W. Ingold GIT* 20, 977 (1976)
- W.M. Krebs, *MBAA Techn. Quart.* 16, 176 (1975)
- D.P. Lucero, *Ana. Chem.* 40, 707 (1968)

Sondes O₂ InPro 6800

Instructions d'utilisation

InDip, InFit, InPro, ISM et InTrac sont des marques du groupe METTLER TOLEDO.

Table des matières

1	Introduction.....	78
2	Remarques importantes.....	79
2.1	Remarques concernant les instructions d'utilisation.....	79
2.2	Emploi approprié.....	79
2.3	Consignes de sécurité.....	80
2.4	Protection de l'environnement.....	82
2.5	Quelques exemples typiques d'application.....	82
2.6	Utilisation dans les zones Ex.....	82
2.7	Ex-classification ATEX.....	83
2.7.1	Introduction.....	83
2.7.2	Données nominales.....	83
2.7.3	Conditions spéciales.....	84
2.8	Classification Ex certifiée FM.....	85
2.8.1	Introduction.....	85
2.8.2	Données nominales.....	86
2.8.3	Conditions spéciales.....	86
2.8.4	Normes appliquées:.....	87
3	Description du produit.....	88
3.1	Informations générales.....	88
3.2	Principe.....	88
3.3	Livraison.....	88
3.4	Pièces de l'appareil.....	89
4	Installation.....	91
4.1	Montage de la sonde.....	91
4.2	Connexion.....	92
4.2.1	Connexion de la sonde InPro 6800 à un câble.....	92
4.2.2	Connexion du câble VP au transmetteur.....	92
5	Fonctionnement.....	93
5.1	Mise en service et polarisation.....	93
5.2	Étalonnage.....	94
5.2.1	Purpose of calibration.....	94
5.2.2	A quoi faut-il veiller pendant l'étalonnage.....	94
5.2.3	Étalonnage à un point.....	96
5.2.4	Étalonnage à deux points.....	96
6	Entretien.....	97
6.1	Contrôle de la sonde.....	97
6.1.1	Examen visuel.....	97
6.1.2	Test de la sonde avec le O ₂ Sensor-Master InPro 6800 de METTLER TOLEDO.....	98
6.1.3	Test de la sonde à l'aide d'un transmetteur.....	99
6.2	Remplacer l'électrolyte ou le module à membrane ou le corps interne.....	100
7	Conservation.....	103
8	Caractéristiques du produit.....	103
8.1	Certificats.....	103
8.2	Spécifications.....	104
9	Informations pour la commande.....	105
9.1	Sondes.....	105
9.2	Accessoires.....	105
9.3	Pièces de rechange.....	106
9.4	Transmetteurs recommandés.....	106
9.5	Supports recommandés.....	106
10	Théorie de la sonde polarographique.....	107
10.1	Introduction.....	107
10.2	Principe de conception d'une sonde à oxygène.....	108
10.3	Paramètres déterminant le courant.....	108
10.4	La tension de polarisation.....	109
10.5	La température.....	109
10.6	Dépendance relative à l'écoulement.....	110
10.7	Pression partielle d'oxygène – Concentration en oxygène.....	111

1 Introduction

Nous vous remercions d'avoir acheté la **sonde O₂ InPro™ 6800 de METTLER TOLEDO**.

Les sondes InPro 6800 sont construites selon l'état actuel de la technique et correspondent aux règles techniques de sécurité reconnues. Cela n'empêche, qu'en cas de fausse manipulation, elles puissent présenter des dangers pour l'opérateur ou pour des tiers, ou encore pour l'installation elle-même ou d'autres biens corporels. **C'est pourquoi les personnes concernées doivent d'abord lire et comprendre les Instructions d'utilisation.**



Les instructions d'utilisation doivent être conservées à portée de main, dans un endroit accessible à toutes les personnes utilisant la sonde InPro 6800.

Pour toute question non exposée exhaustivement ou ne figurant pas dans les présentes instructions d'utilisation, veuillez prendre contact avec votre représentant METTLER TOLEDO. Nous sommes volontiers à votre disposition.

2 Remarques importantes

2.1 Remarques concernant les instructions d'utilisation

Les instructions d'utilisation vous expliquent comment utiliser la sonde O₂ InPro 6800 de manière efficace et tel qu'il se doit.

Ces instructions d'utilisation s'adressent au personnel en charge de l'utilisation et de la maintenance des sondes, personnel qui est supposé connaître l'installation dans laquelle la sonde est intégrée.

Notes et symboles d'avertissement

Dans ce mode d'emploi, les consignes de sécurité et autres informations sont signalées par les symboles suivants :



Ce symbole a pour but d'attirer l'attention sur les **consignes de sécurité et avertissements relatifs à des dangers potentiels** qui, s'ils ne sont pas pris en considération, pourraient être à l'origine de blessures et/ou de dommages.



Ce symbole signale des **informations ou instructions complémentaires** qui, si elles ne sont pas prises en compte, pourraient occasionner des défauts, un fonctionnement inefficace ou une éventuelle diminution de la production.

2.2 Emploi approprié

Les capteurs METTLER TOLEDO InPro 6800 servent à la mesure en ligne de la pression partielle d'oxygène dans les liquides et les gaz, conformément aux indications de cette notice d'emploi.

Un emploi différent ou dépassant celui décrit dans cette notice d'emploi n'est pas considéré comme approprié. Le fabricant/fournisseur décline toute responsabilité en cas de dommages résultant d'un tel emploi, dont seul l'utilisateur assume le risque.

L'emploi approprié suppose de plus:







- Le respect des instructions, consignes et remarques de la présente notice d'emploi.
- L'inspection, l'entretien et le contrôle de fonctionnement périodiques des composants utilisés incombent à l'utilisateur qui doit, en outre, respecter les prescriptions locales de sécurité du travail et des installations.
- Le respect de toutes les remarques et mises en garde dans les publications concernant les produits utilisés en combinaison avec le capteur (supports, transmetteurs, etc.).
- Le respect des consignes de sécurité de l'installation sur laquelle le capteur est monté.

- L'utilisation correcte en respectant les conditions d'exploitation et de protection de l'environnement prescrites ainsi que les installations accessoires autorisées.
- En cas d'incertitude, s'informer impérativement auprès de METTLER TOLEDO.

2.3 Consignes de sécurité



- L'exploitant de l'installation doit être conscient des éventuels risques et dangers de son procédé ou installation. Il est responsable de la formation du personnel servant, de la signalisation des dangers potentiels et du choix de l'instrumentation appropriée en fonction de l'état de la technique.
- Le personnel servant impliqué dans la mise en service, l'utilisation et l'entretien de ce capteur ou d'un de ses produits auxiliaires (supports, transmetteurs, etc.) doit nécessairement être instruit du procédé de production et des produits. Ceci inclut la lecture et la compréhension de la présente notice d'emploi.
- La sécurité du personnel servant et des installations incombe en dernier ressort à l'exploitant de l'installation. Ceci s'applique notamment aux installations se trouvant dans des zones à danger d'explosion.
- Le capteur d'oxygène et ses composants n'ont pas d'effet sur le procédé et ne peuvent l'influencer dans le sens d'une régulation ou d'un pilotage.
- Les intervalles d'entretien et de maintenance dépendent des conditions d'exploitation, des substances présentes, de l'installation et de la signification du système de mesure en matière de sécurité. Les procédés des clients varient fortement, de sorte que les indications données ne peuvent être qu'indicatives et doivent, dans chaque cas, être vérifiées par l'exploitant de l'installation.
- Si des mesures de protection particulières sont exigées, telles que des serrures, inscriptions ou systèmes de mesure redondants, l'exploitant est chargé de les prévoir.
- Un capteur défectueux ne doit ni être monté ni mis en service.
- Des travaux d'entretien autres que ceux décrits dans cette notice d'emploi ne doivent pas être effectués sur le capteur.
- N'utilisez que des pièces d'origine METTLER TOLEDO pour le remplacement de composants défectueux (voir « Chapitre „9.3 Pièces de rechange“ »).

- Ne pas apporter de modifications aux capteurs et aux accessoires. Le fabricant/fournisseur décline toute responsabilité en cas de modifications non autorisées, dont seul l'utilisateur assume le risque.
- Lors de l'utilisation de câbles non fournis et non recommandés par le fabricant pour le raccordement de la sonde, les normes suivantes doivent être prises en compte:
 - US National Electrical Code® (ANSI/NFPA 70 [NEC®]), le cas échéant.
 - Canadian Electrical (CE) Code® (CEC Partie 1, CAN/CSA-C22.1), le cas échéant.
- Pour obtenir des conseils sur les installations aux États-Unis, voir ANSI/ISA-RP12.06.01, Installation de systèmes à sécurité intrinsèque pour zones (classées) dangereuses.
- L'équipement de la salle de contrôle connecté à l'appareil associé à sécurité intrinsèque aux États-Unis ne doit pas utiliser ou générer plus que l'Um spécifié de l'appareil associé.
- Il convient de prendre des précautions pendant l'installation pour éviter les impacts ou frictions qui pourraient créer une source d'incendie.
- L'altération et le remplacement de pièces par des composants non autorisés peuvent compromettre l'utilisation sûre du système.
- L'insertion ou le retrait de modules ou de connecteurs électriques amovibles doit uniquement être effectué(e) lorsqu'il est confirmé que la zone ne contient plus aucune vapeur inflammable.
-  **Avertissement** – Un appareil à sécurité intrinsèque peut être une source d'incendie si les espacements internes sont réduits ou si les connexions sont ouvertes.
-  **Avertissement** – Ne pas ouvrir dans une atmosphère explosive.
-  **Avertissement**– Le remplacement de composants peut nuire à la sécurité intrinsèque de l'équipement.
-  **Avertissement**– Le remplacement de composants peut nuire à l'adéquation de l'équipement.
-  **Avertissement** – Raccordement à des procédés ininflammables uniquement.
-  **Avertissement** – Pour maintenir la classification IP66 du boîtier, le connecteur doit être entièrement engagé.

2.4 Protection de l'environnement

Les produits électriques usagés ne devraient pas être jetés avec les déchets ménagers. Merci de les déposer dans les points de collecte afin qu'ils soient recyclés. Contactez vos autorités locales ou votre vendeur pour obtenir des conseils en matière de recyclage.



2.5 Quelques exemples typiques d'application

La liste suivante énumère quelques exemples d'application typiques, non limitatifs, du capteur d'oxygène-Mesure dans des liquides:

Mesure dans des liquides:

- Fermentation
- Propagation de levure
- Aération de moût
- Traitement d'eau de source
- Stockage et traitement des jus de fruit

Mesure dans des gaz:

- Surveillance de la concentration limite d'oxygène pour protéger le produit de l'oxydation.
- Surveillance de la concentration limite d'oxygène dans le rejet gazeux des cuves de fermentation.
- Surveillance des valeurs limites d'oxygène dans les processus d'inertisation.
- Détermination d'oxygène dans des mélanges de gaz de processus.

2.6 Utilisation dans les zones Ex



Prudence!

Pour une installation dans les zones Ex veuillez-vous référer aux indications suivantes :

CE 1258 UK
CA 2503

Ex-Classification ATEX :

- ⊕ II 1/2G Ex ia IIC T6...T3 Ga/Gb
- ⊕ II 1/2D Ex ia IIIC T69 °C...T161 °C Da/Db

Numéro du certificat de vérification :

SEV 14 ATEX 0169X
IECEX SEV 14.0026X
CML 22 UKEX 2212X

Ex-Classification FM approuvé :



IS / I, II, III /1/ ABCDEFG / T6 Ta = 60 °C
- 53 800 002; Entity

ID du projet: 3021227

Numéro du certificat FM: FM16US0034X
FM18CA0021X

2.7 Ex-classification ATEX

2.7.1 Introduction

Conformément à la directive 2014/34/UE (ATEX 114)¹⁾, Annexe I, les sondes à oxygène de type InPro 6XXX*/*/*/* appartiennent au groupe d'appareils II, catégorie 1/2G qui, conformément à la directive 99/92/CE (ATEX 137)²⁾, peuvent être utilisés dans les zones 0/1 ou 1/2 ou 1 ou 2, ainsi que dans les groupes de gaz IIA, IIB et IIC potentiellement explosifs en présence de matériaux combustibles dans les classes de température indiquées ci-dessus.

Lors de l'utilisation/installation, les exigences de la norme européenne EN 60079-14 doivent être respectées.

Conformément à la directive 2014/34/UE (ATEX 114)¹⁾, Annexe I, les sondes à oxygène InPro6XXX*/*/*/* sont des dispositifs de groupe II, catégorie 1/2D et conformément à la directive 99/92/CE (ATEX 137)²⁾, elles peuvent également être utilisées dans des zones 20/21 ou 21 ou 22 contenant des poussières combustibles.

Le circuit de la sonde numérique fait partie d'un système de sécurité intrinsèque commun et, pour son fonctionnement, est raccordé à un transmetteur homologué séparément.

Le circuit de la sonde numérique, en tant que composant d'un système de sécurité intrinsèque, est isolé des circuits électriques dépourvus de sécurité intrinsèque jusqu'à une tension nominale de 375 V et des parties mises à la terre jusqu'à une tension nominale maximale de 30 V.

2.7.2 Données nominales

Circuit de mesure

Protection contre l'inflammation à sécurité intrinsèque de classification Ex ia IIC uniquement pour le raccordement à un circuit à sécurité intrinsèque certifié.

Sonde à oxygène analogique, valeurs maximales:

$$U_i \leq 16 \text{ V}$$

$$I_i \leq 190 \text{ mA}$$

$$P_i \leq 200 \text{ mW}$$

$$L_i = 0 \text{ (inductance interne effective)}$$

$$C_i = 900 \text{ pF (capacité interne effective)}$$



Remarque:

Les valeurs maximales ci-dessus représentent chacune le total de tous les circuits individuels de l'alimentation à sécurité intrinsèque associée et du transmetteur.

¹⁾ Pour les exigences légales britanniques SI 2016 n° 1107

²⁾ Pour les réglementations britanniques 7 et 11 des réglementations sur les substances dangereuses et les atmosphères explosives de 2002 (DSEAR)

2.7.3 Conditions spéciales

- Le lien entre la température du milieu/ambiante maximale autorisée et la classe de températures, pour les applications de la catégorie 1G, zone 0, est indiqué dans le tableau suivant:

Classe de températures	Température du milieu / ambiante max.
T 6	68 °C
T 5	80 °C
T 4	108 °C
T 3	160 °C

- Le lien entre la température du milieu/ambiante maximale autorisée et la classe de températures, pour les applications de la catégorie 1D, zone 20, est indiqué dans le tableau suivant:

Classe de températures	Température du milieu / ambiante max.
T 69 °C	68 °C
T 81 °C	80 °C
T 109 °C	108 °C
T 161 °C	160 °C

- La capacitance et l'inductance du câble raccordé doivent être prises en compte.
- La sonde à oxygène (O₂) de type InPro 6XXX peut être fixée sur des supports InFit™ 76*-*** ou InTrac™ 7**-*** ou sur d'autres supports adaptés aux zones potentiellement explosives.
- La structure métallique des sondes à oxygène (O₂), les supports InFit 76*-*** ou InTrac 7**-***, ainsi que d'autres raccords appropriés peuvent être intégrés au test de pression de routine du système.
- Le raccord indépendant utilisé pour l'installation des sondes à oxygène (O₂) doit être raccordé de façon conductrice au système de liaison équipotentielle.

2.8.2 Données nominales

Pour les données nominales, veuillez vous référer à la section 2.7.2.

2.8.3 Conditions spéciales

Pour le type de protection d'appareil à sécurité intrinsèque, l'équipement de sondes analytiques (Série InPro 6000 avec boîtiers de séries InFit 76X/Y et InTrac 7XX/YY) est conçu avec les conditions d'utilisation spécifiques suivantes.

1. La sonde d'oxygène dissous doit être installée conformément aux exigences en matière de boîtier, de montage, d'espacement et d'isolement de l'application finale. Cela signifie notamment que l'outil doit être muni d'un couvercle amovible. La sonde peut être utilisée avec les boîtiers homologués de séries FM InFit 76X/Y et InTrac 7XX/YY.
2. La température de procédé ne doit pas dépasser +130°C.
3. La pression de service maximale admissible doit être de 12 bar (174 psig).
4. Danger potentiel de charge électrostatique – Pour éviter tout risque de formation d'étincelles électrostatiques, la surface non métallique doit être nettoyée uniquement à l'aide d'un chiffon humide.
5. Les boîtiers contenant du titane constituent un risque potentiel d'inflammation par impact ou friction. Veuillez prendre les précautions nécessaires pendant l'installation et l'utilisation afin d'éviter tout choc ou frottement de l'instrument.

2.8.4 Normes appliquées:

Normes américaines

Titre	Numéro	Dates de publication
Approval Standard for Electrical Equipment for Use in Hazardous (Classified) Locations – General Requirements.	FM Class 3600	2022
Approval Standard for Intrinsically Safe Apparatus and Associated Apparatus for Use in Class I, II & III, Division 1, Hazardous (Classified) Locations.	FM Class 3610	2021
Approval Standard for Electrical Equipment for Measurement, Control and Laboratory Use.	FM Class 3810	2021
Explosive Atmospheres – Part 0: Equipment – General Requirements.	ANSI/UL 60079-0:2020	2020
Explosive Atmospheres – Part 11: Equipment Protection by Intrinsic Safety “i”.	ANSI/UL 60079-11:2018	2018
Safety Requirements for Electrical Equipment for Measurement, Control, and Laboratory Use – Part 1: General Requirements.	ANSI/UL 61010-1:2018	2018

Normes canadiennes

Titre	Numéro	Dates de publication
Explosive Atmospheres – Part 0: Equipment – General Requirements.	CAN/CSA-C22.2 No. 60079-0:2019	2019
Explosive Atmospheres – Part 11: Equipment Protection by Intrinsic Safety “i”.	CAN/CSA-C22.2 No. 60079-11- 14:R2018	R2018
Safety Requirements for Electrical Equipment for Measurement, Control, and Laboratory Use – Part 1: General Requirements.	CAN/CSA-C22.2 No. 61010-1- 12:R2017	R2017

3 Description du produit

3.1 Informations générales

La sonde **InPro 6800** avec sonde de température intégrée est utilisée pour **la mesure de l'oxygène**.

La sonde est **stérilisable/autoclavable** et **compatible NEP (Nettoyage-En-Place)**.

Les sondes InPro 6800 avec fonctionnalité ISM™ permettent le « Plug + Measure » et offrent des fonctionnalités de diagnostic étendues.

Les sondes ISM sont disponibles avec connecteur VP ou K8S (numérique).

3.2 Principe

Vous trouverez ci-après une synthèse portant sur le principe de la mesure polarographique, principe sur lequel repose cette sonde (Clark 1961).

- La sonde Clark comprend essentiellement une électrode de travail (cathode), une contre-électrode/ électrode de référence (anode) et une membrane perméable à l'oxygène séparant les électrodes du milieu de mesure.
- Le transmetteur délivre à la cathode une tension de polarisation constante requise pour réduire l'oxygène.
- Les molécules d'oxygène diffusant à travers la membrane perméable au gaz sont réduites sur la cathode tandis qu'une oxydation a lieu simultanément sur l'anode et le métal d'anode oxydé (argent) est libéré dans l'électrolyte. L'électrolyte ferme le circuit électrique entre l'anode et la cathode (conduction ionique).
- Le courant engendré par les réactions décrites est mesuré par le transmetteur et est proportionnel à la pression partielle d'oxygène pO₂ du milieu de mesure.



Remarque: pour de plus amples informations, reportez-vous au chapitre „10 Théorie de la sonde polarographique“.

3.3 Livraison

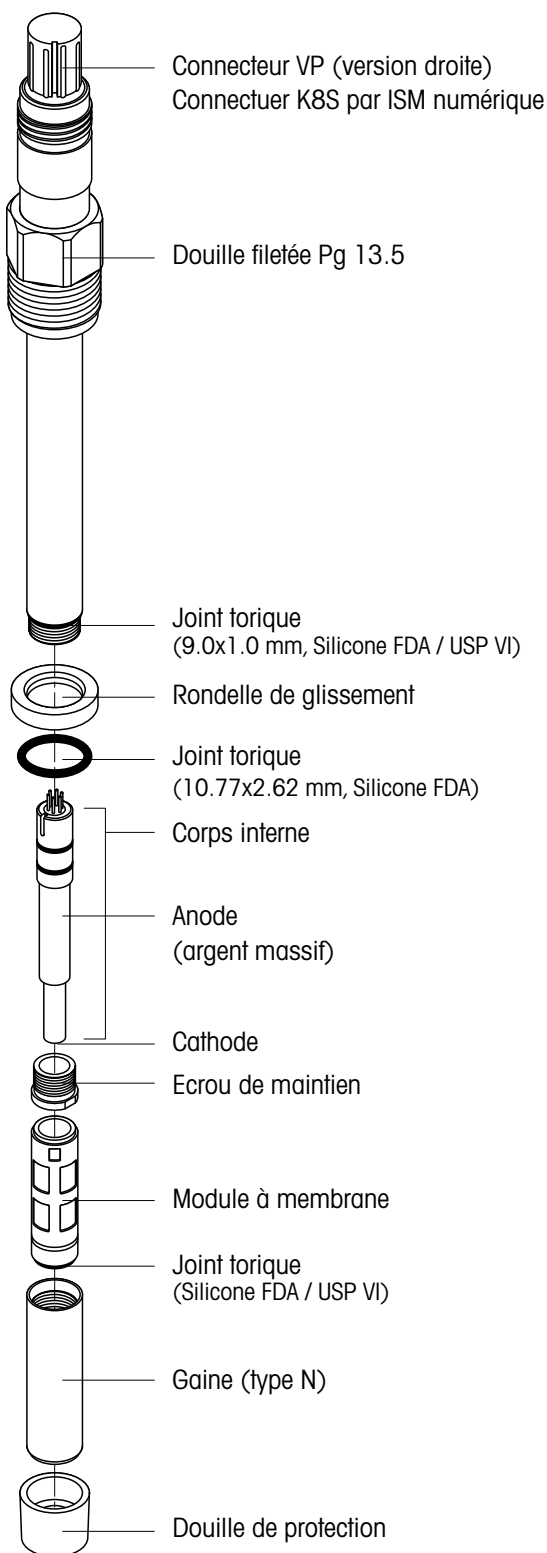
Chaque sonde est complètement montée et testée en usine afin de garantir un fonctionnement correct. La sonde est livrée avec:

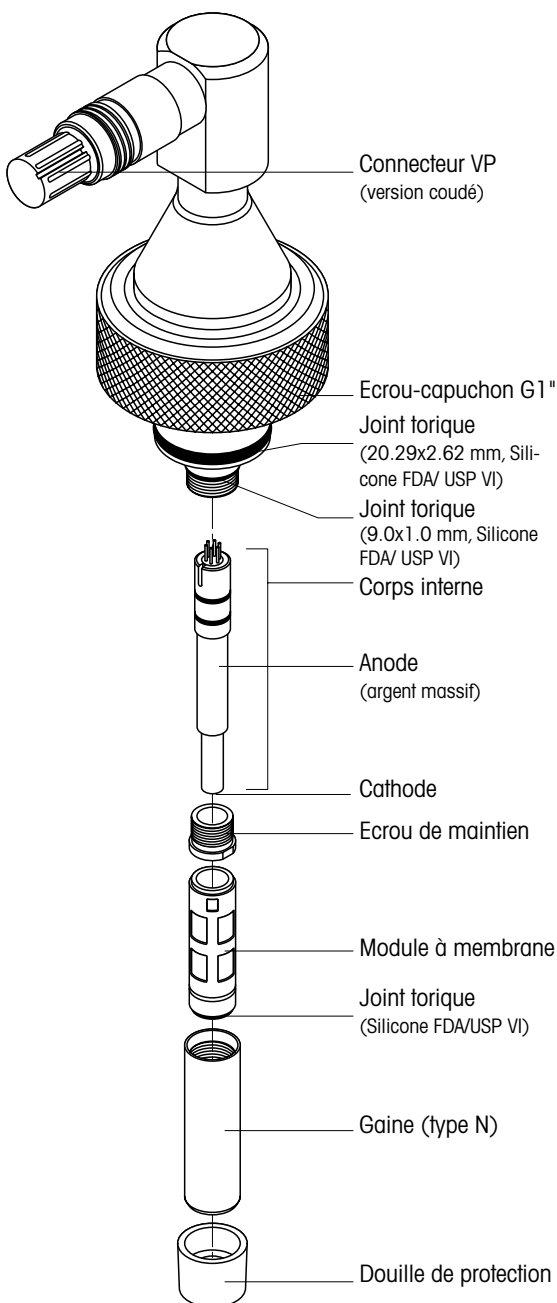
- un certificat de contrôle de la qualité.
- des certificats d'examen 3.1 B
(en conformité avec la norme EN 10204.3/1.B).

Veuillez s'il vous plaît prendre note des informations pour la commande d'électrolyte dans la section „9.2 Accessoires“.

3.4 Pièces de l'appareil

Sonde 12 mm



Sonde 25 mm

4 Installation

4.1 Montage de la sonde



Attention! Enlever la douille de protection verte avant l'installation de la sonde.

Montage de la sonde dans un support

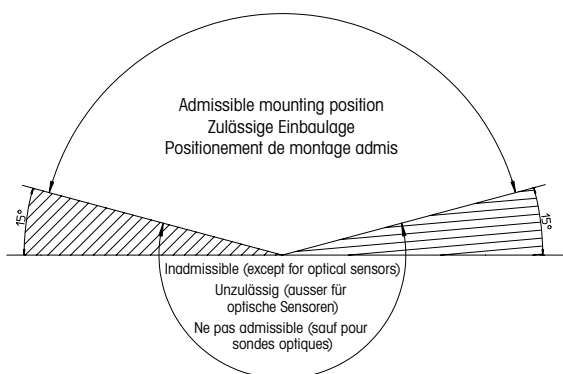
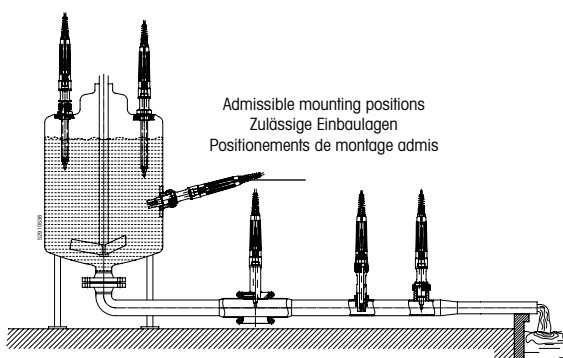
Veillez vous reporter au manuel du support afin de savoir comment monter la sonde à cet endroit.

Montage de la sonde, directement sur un tuyau ou une cuve

Le capteur peut être monté perpendiculairement ou de façon oblique. Au montage oblique, il faut respecter un angle de 15 ° ou plus entre le support et l'horizontale.



Prudence! Il n'est pas autorisé de monter les supports en dehors de la zone de montage admise; un emplacement inadéquat ne permet plus de garantir le fonctionnement des capteurs/des électrodes.



Les sondes **O₂ 12 mm** peuvent être montées directement sur un manchon avec un filet femelle Pg 13.5 et fixés en place au moyen le manchon fileté Pg 13.5.

Les sondes **O₂ 25 mm** peuvent être montées directement sur un manchon à souder standard ou le manchon de sécurité METTLER TOLEDO.

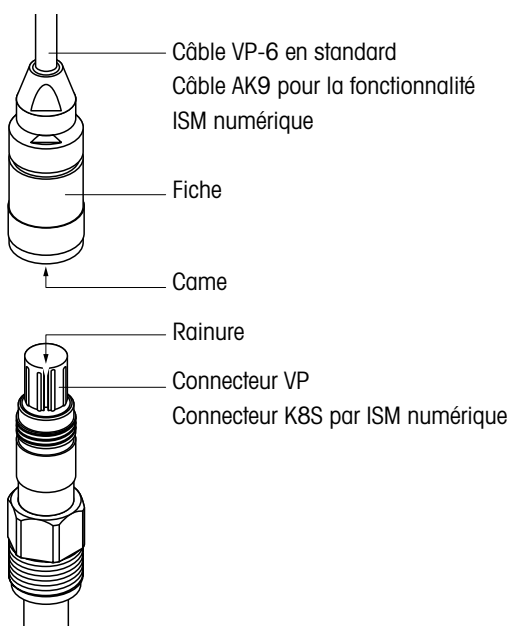
4.2 Connexion

4.2.1 Connexion de la sonde InPro 6800 à un câble

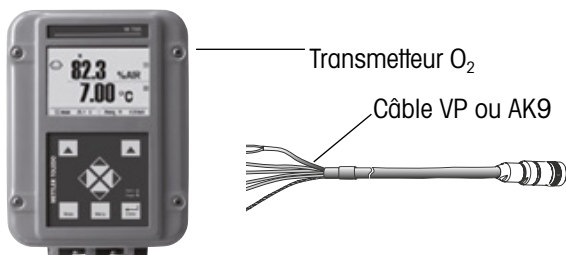
Les sondes avec fonctionnalité ISM numérique requièrent un câble AK9 spécifique ainsi qu'un transmetteur compatible ISM O₂. La sonde est connectée à un transmetteur à l'aide d'un câble AK9. Dans des conditions d'utilisation industrielles lourdes, le câble AK9 garantit une connexion fiable entre le transmetteur et la sonde. La robuste fiche de connexion IP68 étanche garantit une sécurité maximale lors de l'utilisation de l'appareil. Si vous avez opté pour une sonde avec fonctionnalité ISM numérique, le connecteur K8S comporte un préamplificateur intégré. Il est impératif de protéger ce composant électronique de toute décharge d'électricité statique. **Évitez d'entrer en contact avec le connecteur VP de la sonde.**



Pour connecter le câble VP à la sonde, alignez la rainure du connecteur VP avec la came de la fiche. Serrez ensuite fermement la fiche pour assembler les deux parties.



4.2.2 Connexion du câble VP au transmetteur



Remarque: pour l'affectation des fils du câble veuillez suivre les instructions de la notice d'emploi du câble VP METTLER TOLEDO.

Remarque: pour relier le câble VP au transmetteur veuillez suivre les instructions de la notice d'emploi du transmetteur METTLER TOLEDO.

5 Fonctionnement



Important! Remplacer l'électrolyte avant la première mise en service (voir « chapitre 6.2 »). La qualité de l'électrolyte peut être affectée par les conditions de transport et de stockage (p.ex. transport aérien, fluctuations de pression et de température). Un électrolyte de moindre qualité peut entraîner des écarts de mesure.

5.1 Mise en service et polarisation



Important! La douille de protection située à l'extrémité de la sonde doit être ôtée avant la mise en service de cette dernière.

Lors de la première mise en service de la sonde, ou si la sonde a été déconnectée de sa source de tension (transmetteur ou module de polarisation) pendant plus de 5 minutes, la sonde doit être polarisée, avant étalonnage, en la reliant au transmetteur O₂ en marche ou à un module de polarisation. La sonde est polarisée et prête à fonctionner au bout de six heures.

Une durée de polarisation plus courte suffit si l'interruption a été brève (quelques minutes). Le tableau suivant sert à déterminer la durée de polarisation correcte en fonction de la durée de dépolarisation.

Durée de polarisation ¹⁾ t_{depol} [Min.]	Durée minimal de polarisation requise ²⁾ [Min.]
$t_{\text{depol}} > 30$	360
$30 > t_{\text{depol}} > 15$	$6 * t_{\text{depol}}$
$15 > t_{\text{depol}} > 5$	$4 * t_{\text{depol}}$
$t_{\text{depol}} < 5$	$2 * t_{\text{depol}}$

¹⁾ Durée de dépolarisation:

Durée pendant laquelle la tension de polarisation n'est pas appliquée, ce qui est le cas:

- lors du remplacement de l'électrolyte,
- lors du remplacement du module à membrane,
- si le câble est détaché ou si le transmetteur ou le module de polarisation n'est pas relié au câble.

²⁾ Durée de polarisation:

Durée pendant laquelle la tension de polarisation est appliquée à la sonde.



Important! Réglage de la tension de polarisation pour une mesure correcte:

- Applications standard (par exemple en biotechnologie): **– 675 mV**
- mesures de concentrations d'oxygène constamment faibles <500 ppb en présence de composants acides volatils (par exemple dioxyde de carbone pour les mesures en brasserie): **– 500 mV**





Remarque: Le transmetteur doit être réglé de façon à délivrer la tension de polarisation correcte.

5.2 Etalonnage


5.2.1 Purpose of calibration

Chaque sonde d'oxygène a une pente et un zéro caractéristiques. Les deux valeurs changent, par exemple, par épuisement de l'électrolyte ou après remplacement de l'électrolyte ou du module à membrane. Afin que la sonde mesure avec une haute exactitude, il faut par conséquent effectuer un étalonnage après remplacement de l'électrolyte ou de la membrane. Avant l'étalonnage, il faut polariser la sonde pendant au moins 6 heures.

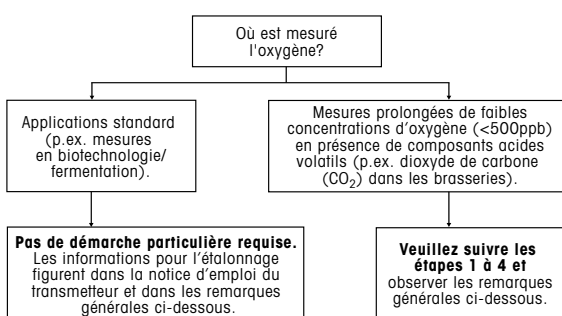
 **Un étalonnage du zéro n'est indiqué que si une haute exactitude est demandée à très faible concentration d'oxygène.**


 **Afin de savoir si votre sonde a besoin d'être étalonnée, vous pouvez la sécher, la soulever dans l'air et vous assurer qu'elle affiche près de 100%. Dans le cas contraire, votre sonde nécessite un nouvel étalonnage.**


5.2.2 A quoi faut-il veiller pendant l'étalonnage




 **Attention!** Lors de mesures prolongées de faibles concentrations d'oxygène (< 500 ppb) en présence de composants acides volatils (p.ex. dioxyde de carbone (CO₂) dans les brasseries) il convient de suivre la démarche décrite ci-après. Vous obtiendrez ainsi la meilleure exactitude de mesure.

Pour les mesures dans des applications standard (p.ex. mesures en biotechnologie/fermentation) la démarche décrite ci-après n'est pas nécessaire.



 **Étape 1:** réglez la tension de polarisation du transmetteur à -675 mV. Pour une information détaillée reportez-vous à la notice d'emploi du transmetteur.

 **Étape 2:** une durée d'équilibrage est requise après avoir réglé la tension de polarisation à -675 mV. Attendez au moins 5 minutes avant de passer à l'étape 3.

-  **Etape 3:** effectuez l'étalonnage comme décrit dans la notice d'emploi du transmetteur.
-  **Etape 4:** réglez la tension de polarisation du transmetteur à – 500 mV.
-  **Etapes 1 à 4** peuvent être accomplies automatiquement si vous utilisez le transmetteur M 700. Ainsi la routine peut être réduite au minimum à quelques pressions sur la touche. En outre le transmetteur M 700 doit être équipé de la fonction SW-700-011 «compensation élevée de logiciel de CO₂». Veuillez demander votre distributeur local de METTLER TOLEDO.

 **Remarques générales:**

- **En cas d'étalonnage par l'air, la membrane de la sonde doit être sèche**, car des gouttes d'eau adhérant à la membrane faussent la valeur de mesure de l'oxygène.
- Assurez-vous que **l'indice de saturation en oxygène** du milieu d'étalonnage est **juste et reste constant** pendant l'étalonnage.
- Si l'étalonnage a lieu dans l'eau ou dans un milieu de mesure, **le milieu d'étalonnage doit être en état d'équilibre avec l'air**. L'échange d'oxygène entre l'eau et l'air est très lent. Il faut par conséquent relativement longtemps pour saturer l'eau en air.
- Un minimum de circulation est nécessaire dans le milieu qui baigne la sonde.
- En cas d'étalonnage dans un fermenteur, **l'étalonnage à un point doit être effectué après stérilisation**, car la stérilisation peut modifier la pente de la sonde. Si l'étalonnage ne peut pas être effectué après la stérilisation, il convient d'utiliser un module à membrane stérilisée, utilisée préalablement sur cette sonde. En effet, c'est surtout lors de la première stérilisation d'un nouveau module à membrane que la pente peut être modifiée de quelques pour-cent.
- Veiller à maintenir constants tous les autres paramètres comme la température et la pression.

En fonctionnement continu nous recommandons un **réétalonnage périodique dépendant de l'exactitude souhaitée, de la nature du procédé et de votre expérience**. La fréquence de réétalonnage requise dépend fortement de l'application et ne peut donc pas être indiquée avec exactitude à cet endroit.

5.2.3 Etalonnage à un point

L'étalonnage à un point détermine la pente de la sonde. Le milieu d'étalonnage est de l'eau avec une saturation en oxygène connue (par exemple eau saturée d'air) ou de l'air avec une saturation en vapeur d'eau connue (air saturé en vapeur d'eau).

Lorsque le signal de la sonde est stable, la grandeur de mesure voulue est amenée à 100 % sur le transmetteur, par exemple 100 % air, 20,95 % O₂ ou 8,26 ppm – à 25 °C (77 °F), pression normale (voir mode d'emploi du transmetteur).

L'étalonnage à un point suffit pour la plupart des applications.

5.2.4 Etalonnage à deux points

L'étalonnage à deux points détermine la pente et le zéro de la sonde.



Important! En cas d'étalonnage à deux points, **commencez toujours par le point d'étalonnage zéro** avant de procéder à l'étalonnage de la pente.

En raison du très faible courant de zéro des sondes METTLER TOLEDO, l'étalonnage à deux points n'est pas nécessaire pour les applications standard.

En règle générale le zéro devrait être réglé sur zéro ou il est automatiquement posé à zéro par le transmetteur (voir mode d'emploi du transmetteur).

L'étalonnage du zéro n'a de sens que si une haute exactitude est demandée à très faible concentration en oxygène.



Attention! un étalonnage incorrect du zéro constitue une fréquente source d'erreur. Pour le réaliser correctement nous recommandons d'utiliser de l'azote comme milieu de mesure du zéro ou un autre milieu exempt d'oxygène et d'un degré de pureté d'au moins 99,995 %.

Lorsque le signal de la sonde est stable (après environ 20...30 minutes), la grandeur de mesure voulue est amenée à zéro sur le transmetteur, par exemple 0 % air, 0,0 % O₂ ou 0,0 ppm (voir mode d'emploi du transmetteur).

6 Entretien

6.1 Contrôle de la sonde

6.1.1 Examen visuel

Pour contrôler la sonde, nous recommandons de procéder comme suit:

- Les contacts du connecteur doivent être secs. La présence d'humidité, de traces de corrosion et de saletés sur les contacts peut causer de fausses valeurs de mesure.
- Vérifier que le câble ne présente pas de pliures, de points fragiles ou de ruptures.
- Avant chaque étalonnage vérifier visuellement le bon état de la membrane. Elle doit être intacte et propre. Si elle est sale, nettoyer la membrane avec un chiffon doux et humide.



Remarque: pour autant qu'elle soit intacte, une membrane qui ondule n'a aucun impact sur les performances de la sonde.

- Il faut remplacer le module à membrane lorsque la sonde a un temps de réponse trop long, lorsque la valeur de mesure est instable ou dérive, lorsque la sonde ne peut plus être étalonnée ou lorsque la membrane est endommagée.
- Vérifier l'absence de décolorations, de dépôts et de fissures du verre autour de la cathode. Le cas échéant, rincer à l'eau déminéralisée et nettoyer à l'aide d'un pinceau propre et doux ou d'un mouchoir en papier doux.



Attention! ne pas utiliser de produits de nettoyage ou de l'alcool. Ils peuvent endommager la sonde ou entraîner des signaux parasites.

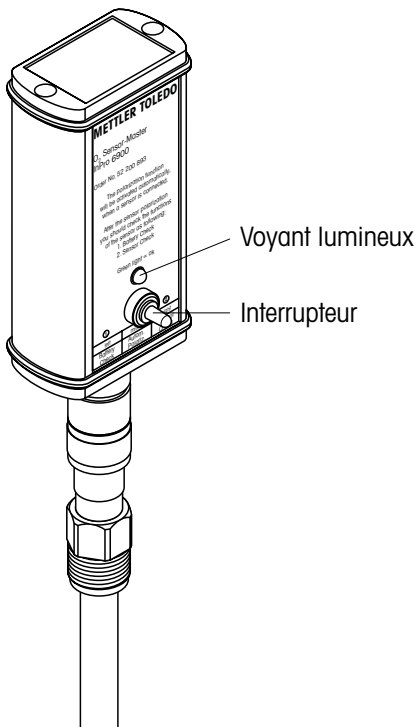


Attention! le corps en verre est fragile et sensible aux chocs.

6.1.2 Test de la sonde avec le O₂ Sensor-Master InPro 6800 de METTLER TOLEDO

Nous vous recommandons d'utiliser le O₂ Sensor-Master InPro 6800 de METTLER TOLEDO afin de vérifier la qualité de votre sonde. Pour ce faire, procédez comme suit (ne concerne pas les sondes ISM numériques):

- Connectez la sonde au O₂ Sensor-Master.



La fonction de polarisation est activée dès la connexion de la sonde au O₂ Sensor-Master. Si la sonde a été débranchée du transmetteur pendant plus de 5 minutes, polarisez la sonde (temps de polarisation, voir « Chapitre 5.1 ») afin d'obtenir des résultats de test représentatifs.

- **Vérification de la pile:**
Poussez l'interrupteur vers la gauche. Si la pile est en bon état et que le O₂ Sensor-Master est opérationnel, un voyant lumineux vert s'allume. Si tel n'est pas le cas, consultez le mode d'emploi du O₂ Sensor-Master.
- **Vérification de la sonde:**
Avant d'effectuer ce test, la sonde **doit être polarisée et la membrane de la sonde doit être propre et sèche.**

Tenir la sonde connectée au O₂ Sensor-Master dans l'air et pousser l'interrupteur vers la droite en position « 2 – Sensor check ». Le O₂ Sensor-Master contrôle alors le courant de la sonde dans l'air ambiant. Ce dernier doit se trouver dans un domaine de valeurs prédéterminé (40 à 100 nA pour l'InPro 6800).

Si la diode verte s'allume, le courant se trouve dans ce domaine.

Si le voyant lumineux ne s'allume pas, vous devez vérifier la pile du O₂ Sensor-Master (voir instructions d'utilisation « Accessoires »). Si la pile fonctionne, cela signifie qu'il y a probablement un problème au niveau de votre sonde. Vous devez, dans ce cas, changer l'électrolyte et/ou la cartouche à membrane de la sonde. Si, une fois la membrane remplacée, le voyant ne s'allume toujours pas, cela signifie qu'il y a peut-être un problème au niveau du corps interne. Vous devez alors le remplacer (voir « Chapitre 6.2 »).



Important! Cette fonction ne vérifie que le courant dans l'air de la sonde. Pour avoir une garantie totale du bon fonctionnement de la sonde, un contrôle du courant résiduel dans un milieu sans oxygène doit être effectué (voir « Chapitre 6.1.3 »).

6.1.3 Test de la sonde à l'aide d'un transmetteur

Pour contrôler le bon fonctionnement de la sonde, une mesure périodique du courant de zéro est recommandée (**pas d'étalonnage du zéro!**).



Remarque : La sonde doit être polarisée au moment du contrôle.

Elle se fait à l'aide du gel de courant zéro (n° de commande. 30 300 435), mais peut aussi se faire dans des gaz d'étalonnage (azote ou dioxyde de carbone, pureté d'au moins 99,995 %) ou dans un milieu saturé par ces gaz.

Après 2 minutes dans un milieu exempt d'oxygène, la sonde doit indiquer moins de 10 % de la valeur de mesure dans l'air et, après 10 minutes, moins de 1 % de cette valeur.

Des valeurs trop élevées signalent un épuisement de l'électrolyte ou une membrane défectueuse. Dans le premier cas, il faut remplacer l'électrolyte et, dans le second, le module à membrane et l'électrolyte.

Si les valeurs indiquées ci-dessus ne sont pas atteintes après remplacement de l'électrolyte et du module à membrane, vous devez alors remplacer le corps interne. Si cette mesure ne corrige toujours pas le résultat, renvoyez la sonde pour inspection à votre agence METTLER TOLEDO.

Beaucoup de milieux de mesure contiennent des substances volatiles qui ont une odeur clairement perceptible, même à très faible concentration. Comme l'oxygène, ces substances peuvent s'introduire dans l'électrolyte à travers la membrane perméable aux gaz; elles sont perceptibles au remplacement de l'électrolyte. Ces substances, ainsi qu'une légère coloration de l'électrolyte n'affectent pas, dans la plus part de cas, les propriétés de mesure de la sonde.

6.2 Remplacer l'électrolyte ou le module à membrane ou le corps interne

Les sondes O₂ METTLER TOLEDO sont livrées complètes, avec un module à membrane monté, et leur parfait fonctionnement a été contrôlé.

Si une sonde est entreposée plusieurs mois après la livraison, il convient de remplacer l'électrolyte avant la mise en service.

Si la membrane et/ou le corps interne ne fonctionne plus parfaitement (temps de réponse trop long, courant de zéro important en milieu exempt d'oxygène, dommage mécanique, etc.), il faut remplacer le module à membrane et/ou le corps interne.



Attention! L'électrolyte O₂ est très alcalin (pH 13). Éviter le contact de l'électrolyte avec la peau, en particulier avec les muqueuses et les yeux. **Pour cette raison, il faut porter des gants de protection et des lunettes de protection pour les travaux de remplacement suivantes.**

En cas de contamination, rincer abondamment la partie du corps touchée avec de l'eau. En cas de malaise consulter un médecin.

Pour remplacer l'électrolyte ou le module à membrane ou le corps interne, respecter strictement la démarche suivante (voir aussi l'illustration ci-après):



Attention! Assurez-vous que les étapes de travail suivantes sont effectuées dans un environnement propre.

1. Dévisser la gaine de la tige de sonde et la retirer avec précaution.
2. Retirer le module à membrane du corps interne. Si le module à membrane est coincée dans la gaine, l'en extraire en pressant avec la pulpe du doigt. Avant de remplacer l'électrolyte il faut impérativement extraire le module à membrane de la gaine!
3. Rincer le corps interne à l'eau déminéralisée et le sécher soigneusement avec un mouchoir en papier.



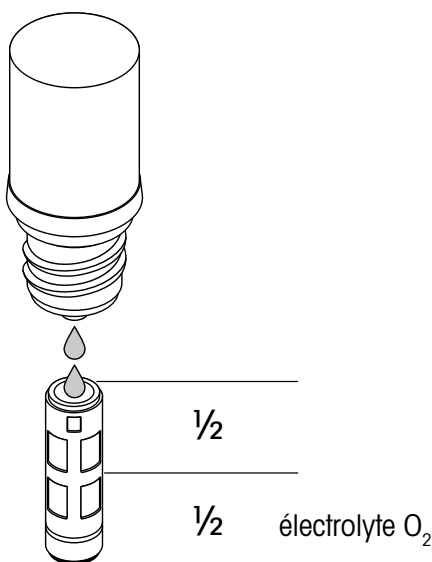
Remarque : Il faut uniquement exécuter les étapes 4 à 7 pour remplacer le corps interne.

4. Dévissez l'écrou de maintien du corps interne au moyen d'une clé réglable ou d'une clé 3/8".
5. Enlevez le corps interne en ôtant de l'axe de la sonde. Si nécessaire, utilisez une pince.



Attention! Ne faites pas tourner le corps interne en l'extrayant. Vous risqueriez d'endommager les tiges de connexion.

6. Insérez le nouveau corps interne dans l'axe de la sonde. Tournez le corps interne dans l'axe jusqu'à ce que la rainure du corps interne soit aligné avec la tige placée dans l'axe.
7. Enfoncez le corps interne dans l'axe et vissez le nouvel écrou de maintien en place.
8. Vérifier visuellement le bon état des joints toriques et, si nécessaire, les remplacer.
9. Remplir à moitié le module à membrane neuf d'électrolyte O₂ et vérifier que le module à membrane rempli soit exempt de bulles d'air. Secouer avec précaution le module à membrane pour chasser les bulles d'air.

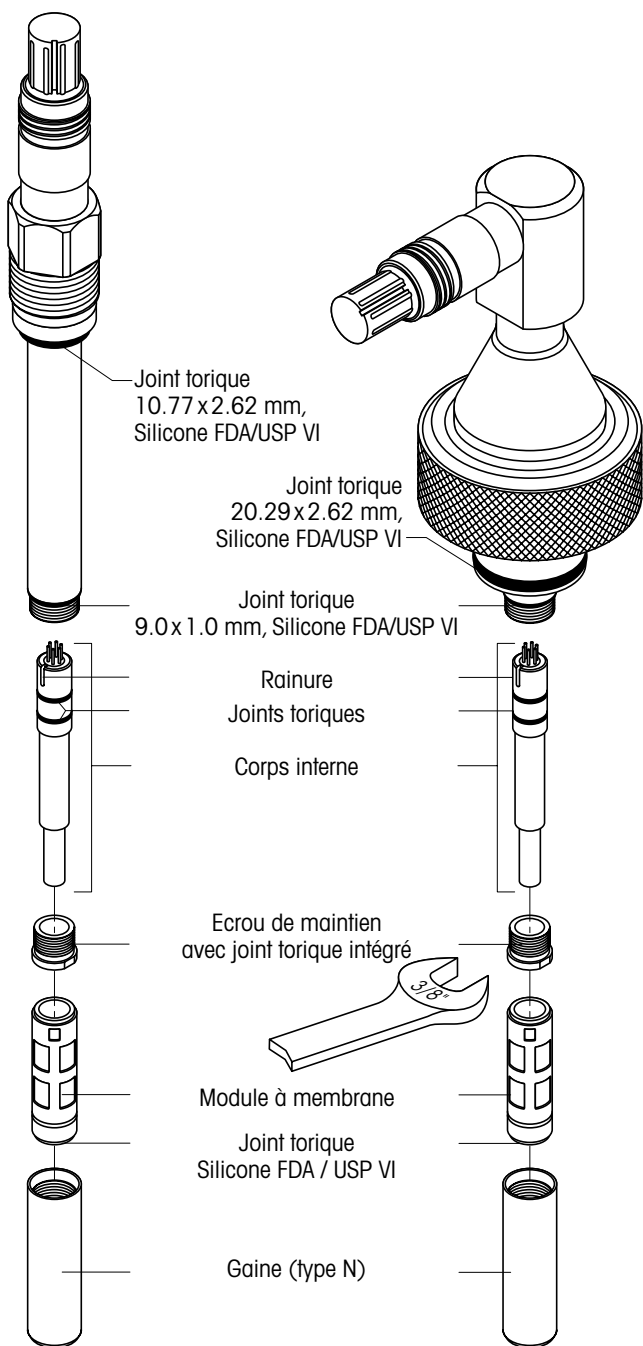


10. Engager le module à membrane en position verticale sur le corps interne. Enlever l'excédent d'électrolyte à l'aide d'un mouchoir en papier.



Important! Entre le module à membrane et la gaine il ne doit pas y avoir d'électrolyte ni de milieu de mesure ou des saletés. Vérifier la propreté!

11. Glisser la gaine avec précaution sur le module à membrane et la visser. La gaine doit être propre et sèche.
12. Après chaque remplacement de l'électrolyte ou du module à membrane ou du corps interne, il faut polariser la sonde et la réétalonner.



7 Conservation

La sonde remplie d'électrolyte O₂ (n° de commande 30 298 424) peut être conservée plusieurs mois à condition que la douille de protection soit en place. Pour éviter la durée de polarisation de 6 heures, il est possible de raccorder la sonde au O₂ Sensor-Master InPro 6800 de METTLER TOLEDO pendant le stockage.



Attention! Remplacer l'électrolyte en cas d'une durée de stockage de plus de 3 mois.

En cas de stockage prolongé, de plus de 6 mois, la sonde devrait être conservée à l'état sec, c'est-à-dire sans électrolyte dans le module à membrane.



Attention! Une sonde conservée à sec (sans électrolyte dans le module à membrane) ne doit pas être raccordée au O₂ Sensor-Master InPro 6800.

8 Caractéristiques du produit

8.1 Certificats

Chaque sonde est livrée avec un jeu de **certificats 3.1** (en conformité avec la norme EN 10204).

Toutes les pièces métalliques en contact avec le milieu (axe de la sonde, gaine et module à membrane) sont identifiées à l'aide d'un symbole correspondant au numéro de coulée. Le symbole gravé sur la sonde correspond au numéro de coulée qui figure sur le certificat papier délivré avec la sonde.

Chaque pièce métallique en contact avec le milieu (axe de la sonde, gaine et module à membrane) est polie de manière à obtenir une rugosité de surface inférieure à 0,4 µm. Cela équivaut à un niveau de rugosité de N5 (selon la norme ISO 1320:1992).

8.2 Spécifications



Attention! Veuillez prendre la notice applicable 52 201 146 en considération lorsque le capteur est utilisé avec le corps à membrane T-6800 gaz pour la mesure de l'oxygène partiel dans les gaz. Cette notice se trouve seulement dans le manuel d'instruction des corps à membrane T-6800 gaz et kits.

InPro 6800	
Principe de mesure	Ampérométrie/ Polarographique
Conditions d'utilisation	
Domaine de pression admissible (mesure)	0.2...6 bar absolu
Domaine de pression (résistance mécanique)	max. 12 bar absolu
Domaine de température admissible (mesure)	0...80°C
Domaine de température max. (résistance mécanique)	-5...140°C (stérilisable/autoclavable)
Construction	
Compensation de la température	Automatique avec RTD intégré
Connexion du câble	Vario Pin (IP 68), droit ou coudé K8S pour ISM numérique
Matériaux des joints toriques	Silicone FDA et USP VI approuvé
Matériaux de la membrane	PTFE/Silicone/PTFE (renforcé avec maille)
Pièces métalliques en contact avec le milieu (3.1 B)	Acier inoxydable Matériaux spéciaux sur demande
Rugosité de surface des pièces métalliques en contact avec le milieu (ISO 1320:1992)	N5 ($R_a < 0.4 \mu\text{m}$)
Corps interne «quick disconnect»	Standard
Cathode	Pt
Anode	Ag
Cathode annulaire auxiliaire de garde	Non
Dimensions	
Diamètre de la sonde	12 ou 25 mm
Longueur d'immersion (a) pour sonde de diamètre 12 mm	70, 120, 220, 320, 420 mm
Longueur d'immersion (a) pour sonde de diamètre 25 mm	80, 160, 260, 360 mm
Performances	
Limite de détection	6 ppb
Précision	$\leq \pm [1\% + 6 \text{ ppb}]$ de la valeur mesurée aux liquides
Temps de réponse à 25°C (air → N ₂)	98 % de la valeur finale < 90 s
Signal de la sonde dans l'air ambiant (25°C)	50...110 nA
Signal résiduel dans un milieu exempt d'oxygène	< 0,1% du signal dans l'air ambiant
Erreur de flux maximum	$\leq 5\%$
Certification	
EHEDG, 3A	Oui
3.1 (EN 10204)	Oui
ATEX, IECEx et UKEX	Oui
FM Approval	Oui
FDA / USP VI	Oui
Contrôle qualité	Oui
Compatibilité	
avec les transmetteurs METTLER TOLEDO	voir «Chapitre 9.4»
avec les supports METTLER TOLEDO	voir «Chapitre 9.5»

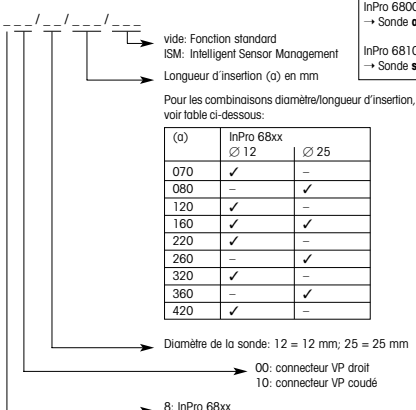
9 Informations pour la commande

Pour de plus amples informations consultez la fiche technique. Veuillez la demander à votre fournisseur.

9.1 Sondes

Intelligent Sensor Management (ISM) Configuration sonde O₂

InPro 6



Exemple de configuration:

InPro 6800/12/120/ISM
→ Sonde **avec** fonction ISM

InPro 6810/25/260
→ Sonde **sans** fonction ISM

Sonde sans ISM fonctionnalité

Longueur d'immersion (a)	Diamètre 12 mm		Diamètre 25 mm	
	droit	coudé	droit	coudé
70 mm (2.8")	52 200 964	52 200 969	—	—
80 mm (3.2")	—	—	52 200 974	52 200 978
120 mm (4.7")	52 200 965	52 200 970	—	—
160 mm (6.3")	—	—	52 200 975	52 200 979
220 mm (8.7")	52 200 966	52 200 971	—	—
260 mm (10.2")	—	—	52 200 976	52 200 980
320 mm (12.6")	52 200 967	52 200 972	—	—
360 mm (14.2")	—	—	52 200 977	52 200 981
420 mm (16.5")	52 200 968	52 200 973	—	—

9.2 Accessoires

Accessoire	No. de cmde.
O ₂ Sensor-Master InPro 6800	52 200 892
O ₂ Simulateur de sonde	52 200 891
Manchon d'adaptateur T82 – VP fiche	52 200 939
Manchon d'adaptateur VP – T82 fiche	52 200 940
Câble VP6-ST/ 3 m	52 300 108
Câble VP6-ST/ 5 m	52 300 109
Câble VP6-HT/ 3 m	52 300 112
Câble VP6-HT/ 5 m	52 300 113
Câble VP8-ST/ 3 m	52 300 354
Câble VP8-ST/ 5 m	52 300 355
Câble VP8-HT/ 3 m	52 300 361
Câble VP8-HT/ 5 m	52 300 362
Gel d'oxygène de courant zero (3 × 25 ml)	30 300 435

Pour toute autre longueur ou type de câble, veuillez contacter votre agence METTLER TOLEDO.

9.3 Pièces de rechange

Pièces de rechange	No. de cmde
Module à membrane, seule T-96	52 200 071
Kit module à membrane (4 module à membrane, Jeu des joints toriques, 25 ml bouteille de l'électrolyte)	52 200 024
O ₂ Module à membrane T-96 (16 unités)	52 206 114
Paquet d'électrolyte O ₂ (3 × 25 ml)	30 298 424
Corps interne InPro 6800 « quick disconnect »	52 200 899
Manchon protection type N	52 200 037
Manchon protection avec panier protecteur type P	52 200 038

9.4 Transmetteurs recommandés



Remarque : Contactez votre représentant METTLER TOLEDO.

9.5 Supports recommandés

Support	12 mm Ø	25 mm Ø	
Support fixe			Veuillez contacter votre agence METTLER TOLEDO.
«Manchon INGOLD de sécurité à souder»	–	✓	
InFit 761 CIP	✓	–	
Support rétractable			
InFit 777 e	✓	–	
InFit 797 e	✓	–	
Support à immersion			
InDip™ 550	✓	–	



Remarque : Les supports étant disponible dans différentes finitions, veuillez prendre contact avec votre revendeur pour vous assurez que les numéros de commande correspondent bien avec la finition désirée.

10 Théorie de la sonde polarographique

10.1 Introduction

Deux types d'électrodes sont employés dans le cadre du travail d'analyse : les électrodes **potentiométriques** et **ampérométriques**.

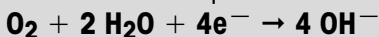
- Les électrodes potentiométriques développent une tension générée par l'activité d'un ion particulier. Exemples: les électrodes de verre (telles que les électrodes de mesure du pH) et la plupart des électrodes sélectives pour ions. Leurs potentiels individuels ne peuvent pas être déterminés. La quantité mesurable est la différence de potentiel entre l'électrode de mesure et une électrode de référence inerte. Le potentiel de la sonde de référence doit être constant.

Toutes les électrodes potentiométriques sont soumises à la loi de Nernst. C'est pour cette raison que, dans la plupart des cas, les électrodes et instruments de mesure ne sont pas interchangeables. La détermination de la tension d'électrode sans courant constitue l'une des exigences en matière de mesures potentiométriques. Pendant la mesure, aucune réaction chimique ne se produit et la solution reste en équilibre.

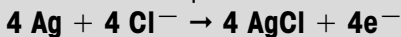
- Dans le cas d'électrodes ampérométriques, telles que les sondes à oxygène, la mesure de l'activité est basée sur la mesure du courant.

La sonde à oxygène se compose d'une cathode et d'une anode connectées de manière conductive par un électrolyte. Une tension de polarisation adaptée entre l'anode et la cathode réduit de manière sélective l'oxygène au niveau de la cathode.

Réaction cathodique :



Réaction anodique :



Ces réactions chimiques génèrent un courant électrique qui est proportionnel à la pression partielle d'oxygène (PO₂). La sonde à oxygène consomme l'oxygène qui est continuellement extrait de la solution. La viscosité et le taux d'écoulement de la solution constituent dès lors deux paramètres importants.

Le courant d'électrode d'une sonde à oxygène est non seulement déterminé par la pression partielle d'oxygène mais également par de nombreux autres paramètres relatifs aux électrodes. Les courants d'électrode de différents types de sondes peuvent varier de plusieurs puissances de dix. C'est pour cette raison que les électrodes à oxygène et les amplificateurs ne peuvent pas être interchangeables.

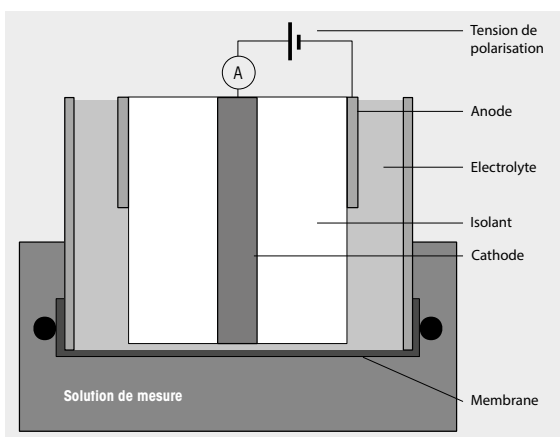
10.2 Principe de conception d'une sonde à oxygène

Il existe deux principaux types d'électrodes à oxygène:

- Les électrodes **sans** membrane.
- Les électrodes **avec** membrane perméable au gaz (Principe de Clark).

Selon Clark, l'électrode à membrane constitue le type d'électrode le plus utilisé actuellement. En comparaison avec les électrodes sans membrane, ce type d'électrode présente les avantages suivants :

- Mesure de l'oxygène dans des gaz et solutions
 - Pas de contamination mutuelle de la sonde et de la solution
 - Peu ou pas de dépendance relative à l'écoulement
- Dans le cas de l'électrode de Clark, la configuration



géométrique est très importante. L'épaisseur du film d'électrolyte situé entre la cathode et la membrane doit satisfaire des tolérances très strictes, de manière à garantir une bonne linéarité et un courant de zéro faible (courant dans une atmosphère d'azote). L'image ci-dessus représente une électrode à oxygène de type Clark.

10.3 Paramètres déterminant le courant

La quantité d'oxygène diffusée et l'intensité du courant d'électrode sont influencés par les paramètres suivants:

- La pression partielle d'oxygène de la solution.
- L'épaisseur et le matériau constituant la membrane.
- La taille de la cathode.
- La tension de polarisation.
- La température.
- Les conditions d'écoulement de la solution.

La loi de Fick établit la relation mathématique entre ces paramètres:

$$I = k \times D \times a \times A \times \frac{pO_2}{X}$$

I = courant d'électrode

k = constante

D = coefficient de diffusion d'O₂ dans la membrane

a = solubilité d'O₂ dans le matériau de la membrane

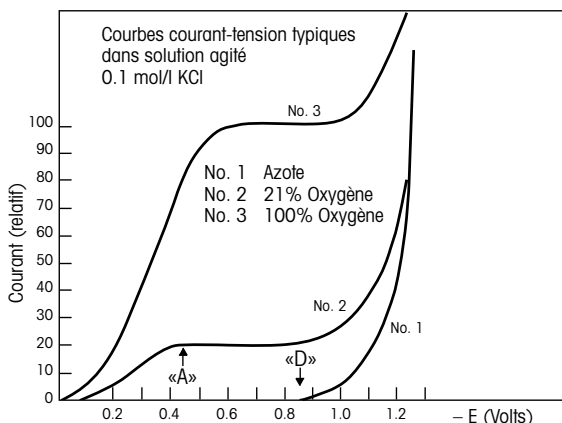
A = surface de la cathode

pO₂ = pression partielle d'oxygène de la solution

X = épaisseur de la membrane perméable au gaz

10.4 La tension de polarisation

La tension entre l'anode et la cathode est sélectionnée de telle sorte que l'oxygène soit totalement (> A, voir polarogramme) réduit tandis que les autres gaz ne sont pas affectés (< D). La tension idéale pour le système Pt/Ag/AgCl se situe entre -500 et -750 mV.



La tension de polarisation doit rester aussi constante que possible. Outre une source de tension constante, les conditions suivantes doivent également être remplies : La résistance électrique du film d'électrolyte ne doit pas dépasser une certaine valeur afin d'éviter une chute de tension.

L'anode doit présenter une grande surface de manière à éviter la polarisation de l'anode par le courant d'électrode.

10.5 La température

La dépendance à la température d'un courant traversant une électrode à oxygène, avec une pression partielle d'O₂ constante, est principalement déterminée par les propriétés de la membrane perméable au gaz.

10.6 Dépendance relative à l'écoulement

Avec la plupart des électrodes à oxygène, le courant d'électrode est plus bas dans les solutions stagnantes que dans les solutions agitées. La consommation d'oxygène de la sonde occasionne l'extraction de l'oxygène contenu dans la solution à proximité de la cathode, à l'extérieur de la membrane. L'oxygène est remplacé par diffusion. Si le courant d'électrode est fort, la solution n'est pas capable de régénérer totalement l'oxygène par diffusion. De ce fait, le courant d'électrode est plus faible que le courant qui devrait correspondre aux conditions dans la solution. Dans les solutions agitées, l'oxygène est transporté vers la surface de la membrane par diffusion mais également par le flux (convection). Dans ce cas, il ne se produit aucun appauvrissement en oxygène à la surface de la membrane.

Un niveau élevé de dépendance à l'écoulement intervient généralement lors de l'utilisation de grandes cathodes et de membranes fines et très perméables, c'est-à-dire lorsque le courant d'électrode est plus grand.

Le problème de la dépendance à l'écoulement est souvent résolu en prescrivant un taux d'écoulement minimum.

Dans les sondes InPro 6800 de METTLER TOLEDO, la fine membrane en PTFE qui détermine le courant d'électrode (c-à-d. le véritable signal de mesure) est séparée de la solution à analyser par une membrane en silicone relativement épaisse. Cette dernière est hautement perméable aux molécules d'oxygène et agit donc comme un réservoir à oxygène. La diffusion de l'oxygène hors de la solution à analyser dans la membrane en silicone se fait sur une grande surface. Étant donné que ce processus a pour effet de réduire la quantité d'oxygène extraite de la solution à analyser par unité de surface, la double membrane en PTFE/silicone forme un tampon efficace contre les perturbations dues à l'écoulement hydrodynamique.

10.7 Pression partielle d'oxygène – Concentration en oxygène

Le courant d'électrode dépend de la pression partielle d'oxygène et la perméabilité à l'oxygène de la membrane et non de la solubilité O₂ dans les solutions. La concentration en oxygène en mg O₂/l (CL) ne peut dès lors pas être déterminée directement au moyen d'une électrode. Selon la loi d'Henry, la concentration en oxygène est proportionnelle à sa pression partielle (pO₂).

$$CL = pO_2 \times a$$

a = facteur de solubilité

Si « a » est une constante, la concentration en oxygène peut être déterminée au moyen d'une électrode. Ce principe s'applique à une température constante et dans le cas de solutions aqueuses diluées telles que l'eau potable.

Le facteur de solubilité est fortement influencé par la température mais également par la composition de la solution:

Milieu, sat. avec air	Solubilité à 20 °C (68 °F) et 760 mm Hg
Eau	9.2 mg O ₂ /l
4 mol/l KCl	2 mg O ₂ /l
50 % Méthanol-eau	21.9 mg O ₂ /l

Bien que leurs solubilités soient totalement différentes, la sonde à oxygène donne le même résultat dans les 3 solutions.

Ainsi donc, la détermination de la concentration en oxygène n'est possible qu'avec des facteurs de solubilité « a » connus et constants.

La solubilité peut être déterminée par un titrage Winkler ou suivant la méthode décrite par Käppeli et Fiechter.

Références

- W.M. Krebs, I.A. Haddad *Develp. Ind. Microbio.*, 13, 113 (1972)
- H. Bühler, *W. Ingold GIT* 20, 977 (1976)
- W.M. Krebs, *MBAA Techn. Quart.* 16, 176 (1975)
- D.P. Lucero, *Ana. Chem.* 40, 707 (1968)

For addresses of METTLER TOLEDO
Market Organizations please go to:
www.mt.com/contacts

METTLER TOLEDO Group
Process Analytics
Local contact: www.mt.com/contacts

Subject to technical changes
© 02/2023 METTLER TOLEDO
All rights reserved
Printed in Switzerland. 52 200 953 C



Management System
certified according to
ISO 9001 / ISO 14001



www.mt.com/pro



* 5 2 2 0 0 9 5 3 C *