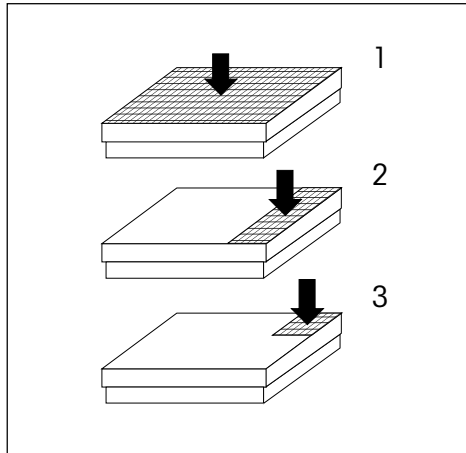


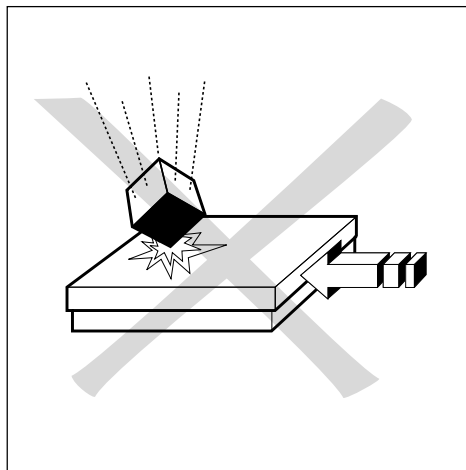
5. Operating limits

- Although the weighing platforms have an extremely rugged construction, the load limits shown in the following tables should not be exceeded.
- Depending on the type of loading, the maximum safe static load, i.e. maximum admissible loading is:



SPIDER 600/1500/3000 DN600/600T	
1 with central load	3500 kg
2 with side load	2300 kg
3 with one-sided cornerload	1150 kg

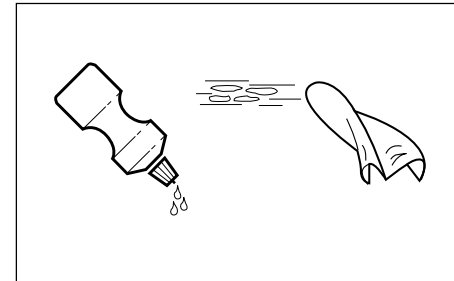
DN1500/3000/1500T/3000T	
1 with central load	4500 kg
2 with side load	3000 kg
3 with one-sided cornerload	1500 kg



- Falling loads, shocks and lateral impacts must be avoided.
- Operation with approach ramps: The load plate of the weighing platform is the active weighing component, the approach ramps are passive, i.e. in the weighing operation all wheels of the conveying vehicle must be on the load plate.
- The air gap between load plate and the approach ramps must be free. It is thus essential, particularly when weighing granular or small-sized weighing samples, to check the gap at regular intervals and keep it free.

6. Cleaning the weighing platform

Maintenance of the weighing platform is restricted to regular cleaning. The procedure depends on not only the type of surface, but also the ambient conditions prevailing at the location.

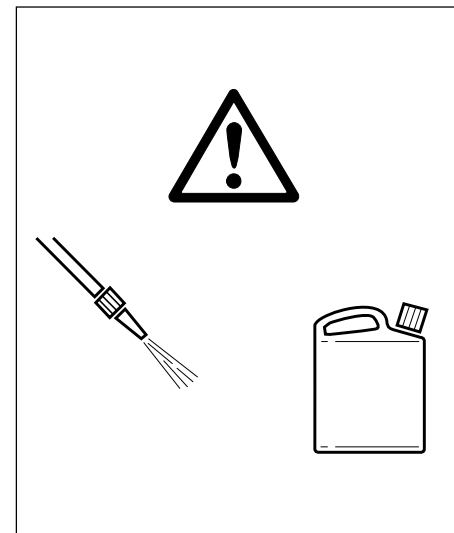


Cleaning the exterior of the DN / SPIDER line in dry surroundings

Wipe with a damp cloth, usual household cleaning agents.

Cleaning agents

Use disinfectants and cleaning agents only in accordance with the producer's instructions.

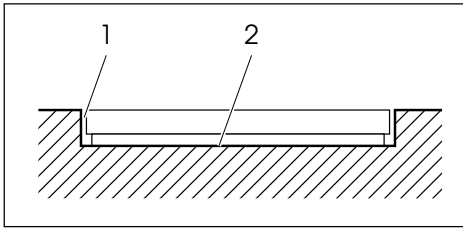


Cleaning the exterior of the DN line in wet surroundings

- Water jet.
- Usual household cleaning agents.

Cleaning the exterior of the DN line in corrosive surroundings

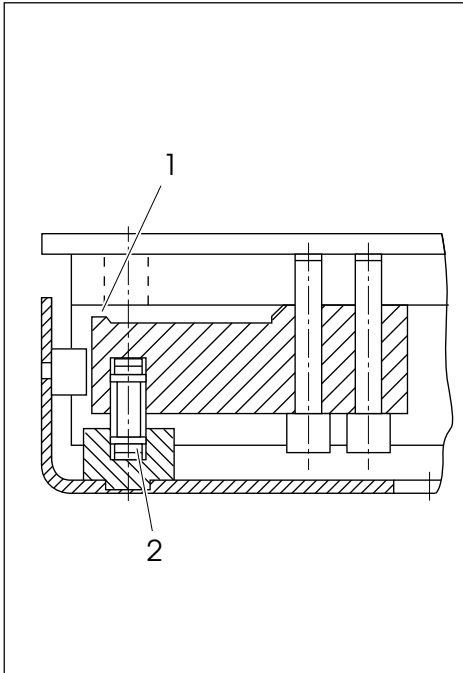
- It is essential to remove corrosion-initiating substances at regular intervals.
- Use disinfectants and cleaning agents only in accordance with the producer's instructions and stipulations.
- Water jet up to 60 °C.
- Possibly after-treatment with OKS 371 universal oil.



Cleaning of recessed weighing platform

Always keep gap (1) between weighing platform and base frame free from dirt.

Remove fairly large dirt deposits on the pit bottom (2) at regular intervals.



Cleaning the interior

When necessary, remove dirt and deposits in the interior of the weighing platform. Lift off load plate for this. For weighing platforms with hinged load-plate

- Blow of dirt or
- rinse by water jet
- Do not clean pneumatic spring with steam jet
- Do not lubricate the piston rod.

Remove dirt particles in the gap (1) between the overload protection of the force transducer and the load plate using compressed air. Lubricate contact surfaces (2) and O-rings of the load supports if required.

Caution with N line / SPIDER line

- Never clean with water.
- Never use high-pressure cleaners!

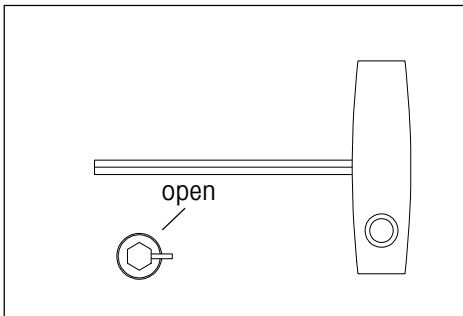
Version with foldable loadplate

Special key to open the quicklock

Attention:

in between the weighing range, the quicklocks have to be in locked up position.

- **Danger by bending the loadplate**



2. Putting into operation

Before putting into operation, the weighing platform must be anchored to the floor with the enclosed fastener set. This is essential if reproducible measurement results are to be obtained.

All operating terminals with IDNet interface can be attached to the DN/SPIDER-IDNet line weighing platforms.

The weighing platforms of the DN...T line and SPIDER-analog line can be attached to terminals with integrated A/D converter. (connection see table below)

Terminal	Color
EXC+ (IN+)	grey
SEN+	yellow
SIG+ (OUT+)	white
SIG- (OUT-)	brown
SEN-	green
EXC- (IN-)	blue

3. Equipotential bonding

The equipotential bonding must be installed by a professional electrician when using the weighing platform in Zones 1/2 and 21/22. METTLER TOLEDO Service only has a monitoring and consulting here.

=> Connect equipotential bonding (PA) of all devices (weighing platform and service terminal) in accordance with the country-specific regulations and standards. In the process, make sure that all device housings are connected to the same potential via the PA terminals.

4. Technical data DN - Line

4.1 Load cell

Ignition
protection type

Beam load cell

II 2G EEx ia IIC T6
II 2D IP68 T 80°C

Ring load cell

II 2G EEx ia IIC T6...T4
-20°C ≤ Ta +40°C
II 2D IP68/66 T 70°C

4.2 Electronic housing

Ignition
protection type

Point ADC

II 3G Ex nA II T4; Ex nV II T4
TÜV Nord TÜV 99 ATEX 1445

I 3G/D EEX nA II T4
IT+50°C IP68
ASEV 00 EX 0494

Point Ex

BVS 03 ATEX E 432
II 2G EEx ia IIC T4
II 2D IP68 T 75°C
-20°C ≤ Ta ≤ +60°C

Analog(T)

passive component

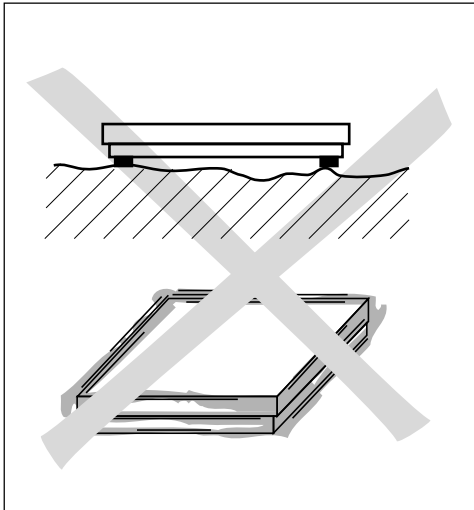
1. Cautionary notes

SPIDER line

- Never operate in hazardous areas!

DN line

- The explosion-protected weighing platform is approved for operation in hazardous areas. (see technical data)
There is an increased danger of injuries and damage when using the weighing platform in hazardous areas! Exercise particular care when using in such areas. The rules for behavior are based on the concept of " Safe Distribution" established by METTLER TOLEDO.



Selection of the location

- The foundation at the installation site must be capable of safely supporting the weight of the scale at the support points when it carries the maximum load. At the same time, it should be so stable that no vibrations occur during weighing operations. These requirements also apply if the weighing platform is integrated in conveying systems and the like.
- Ensure the vibrations due to machines near the installation site are kept to a minimum

Ambient conditions for the SPIDER line

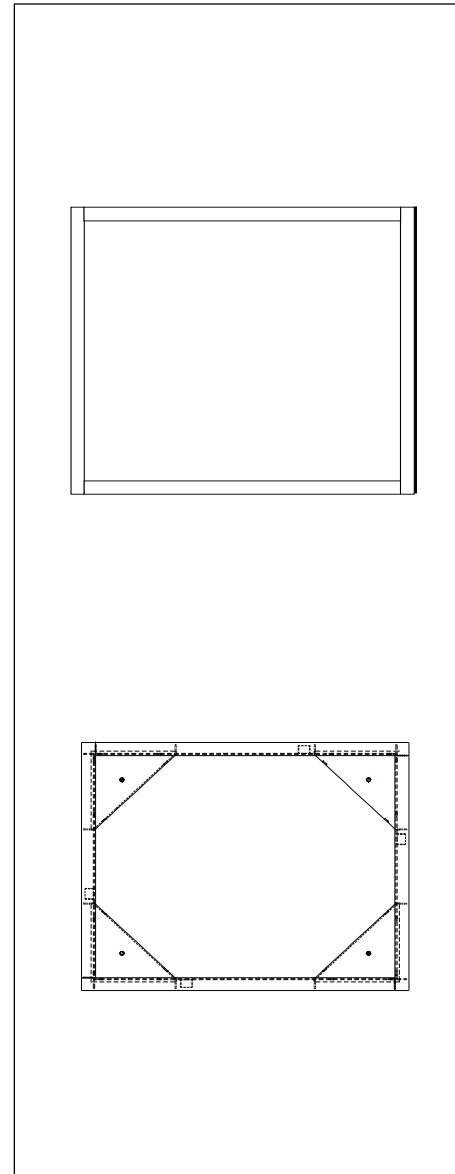
- Use weighing platform only in a dry environment.

Ambient conditions for the DN line

- Weighing platform can be used in a dry or wet environment.

Using DN...x-platforms in hazardous areas, please note additionally the operating instructions "Explosion proof Weighing system 00704516".

7. Standard accessories



Base frame

Order-no.

Installation kit not assembled, including fastening material.

hot galvanized

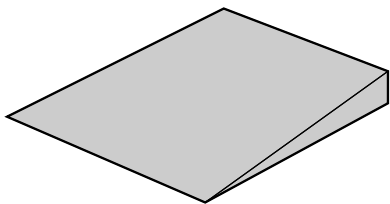
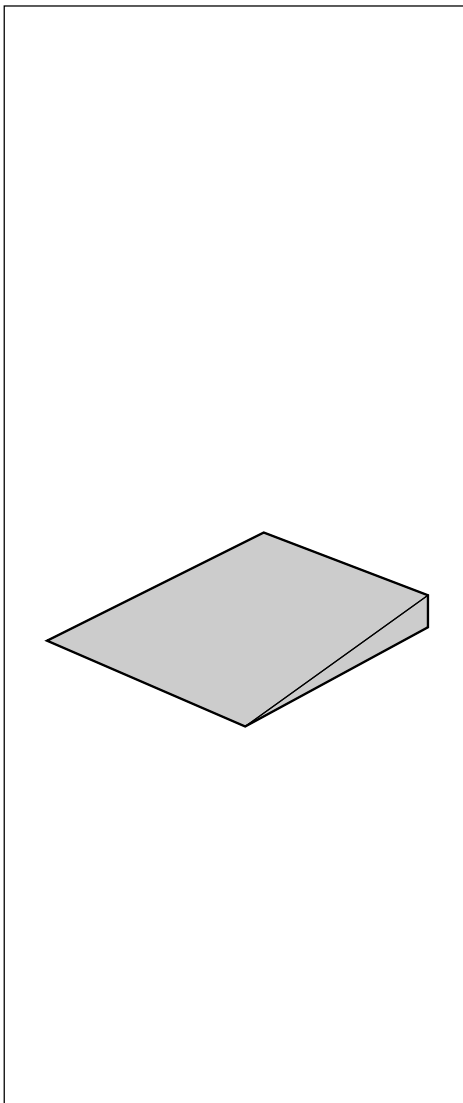
Base frame DS/g	SPIDER	00506481
Base frame D/g	DN/SPIDER	00505625
Base frame E/g	DN/SPIDER	00505626
Base frame ES/g	DN/SPIDER	00505627
Base frame F/g	DN/SPIDER	00505628

stainless steel

Base frame D/s	DN	00505629
Base frame E/s	DN	00505630
Base frame ES/s	DN	00505631
Base frame F/s	DN	00505632

stainless steel

Quick Pit D/s	DN	22002406
Quick Pit E/s	DN	22002407
Quick Pit ES/s	DN	22002408



Ramps **Order-no.**

symmetrical steel construction,
max. safe static load 3000 kg

blue enameled bulb plate

Ramp SPIDER	1000 mm	00506548
Ramp SPIDER	1250 mm	00506549
Ramp SPIDER	1500 mm	00506550
Ramp SPIDER	F	22007283

blue enameled smooth plate

Ramp SPIDER	1000 mm	22007266
Ramp SPIDER	1250 mm	22007267
Ramp SPIDER	1500 mm	22007268
Ramp SPIDER	F	22007284

hot galvanized bulb plate

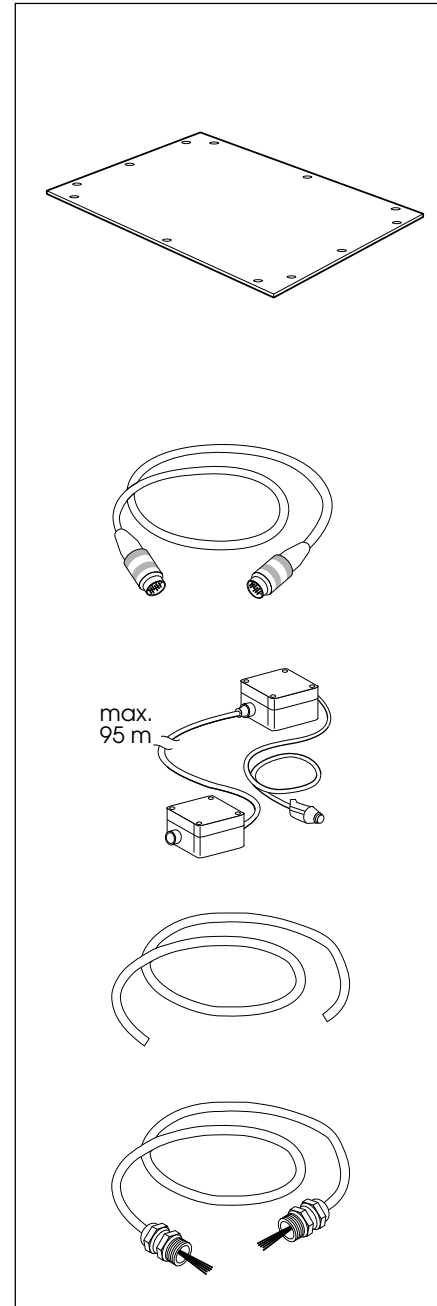
Ramp g DN	1000 mm	00505617
Ramp g DN	1250 mm	00505618
Ramp g DN	1500 mm	00505619
Ramp g DN	F	00505620

smooth, stainless surface

Ramp s DN	1000 mm	00505621
Ramp s DN	1250 mm	00505622
Ramp s DN	1500 mm	00505623
Ramp s DN	F	00505624

Contents **Page**

1. Cautionary notes	2
2. Putting into operation	3
3. Equipotential bonding	3
4. Technical data	3
5. Operating limits	4
6. Cleaning the weighing platform	5
7. Standard accessories	7



Load plates **Order -no.**

hot galvanized bulb plate

Load plate D/g	DN	00505609
Load plate E/g	DN	00505610
Load plate ES/g	DN	00505611
Load plate F/g	DN	00505612

smooth, stainless surface

Load plate D/s	DN	00505613
Load plate E/s	DN	00505614
Load plate ES/s	DN	00505615
Load plate F/s	DN	00505616

Optional equipment DN/SPIDER (IDNet)

Connection cable extension, length 10 m, connectors at both ends, for remote location of terminal. 00504134

Cable adapter kit, comprising two junction boxes for extending connection cable up to 100 m. Box at terminal end with connection cable of length 2.5 m 00504133

Special cable on reel, used with cable adapter kit for extension of connection cable to required-length. 00504177

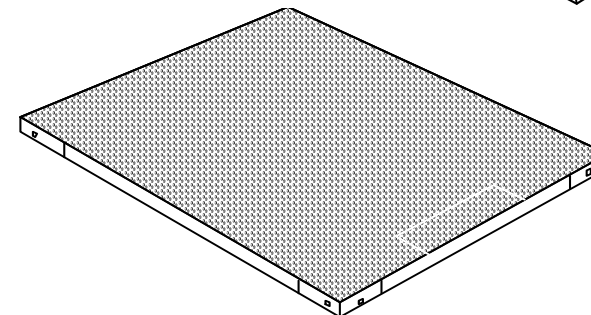
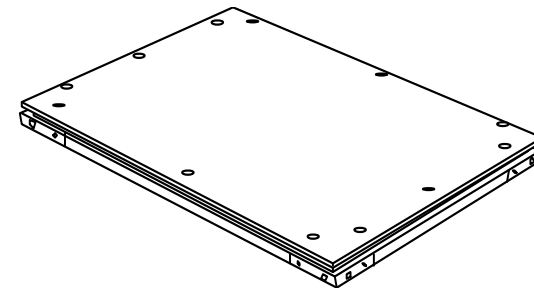
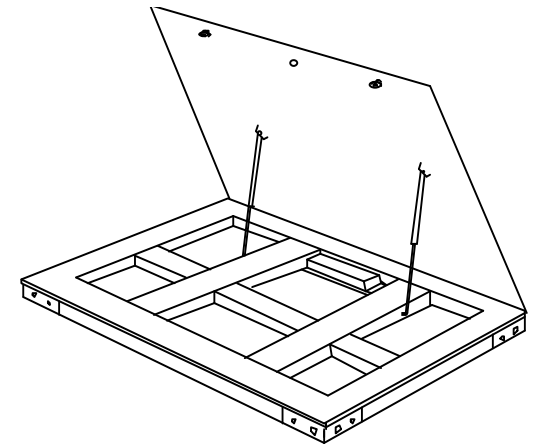
Optional equipment DN/SPIDER (analog)

Connection cable analog, length 10 m, both ends prepared for remote location of the terminal with integrated A/D converter. 22009305

Operating instructions

METTLER TOLEDO MultiRange
Floor/pit scales
DN-Line
SPIDER-Line

METTLER TOLEDO



00705801

Subject of technical changes © Mettler-Toledo (Albstadt) GmbH 07/04 Printed in Germany 00705801K

Mettler-Toledo (Albstadt) GmbH

D-72458 Albstadt

Tel. ++49-7431-14 0, Fax ++49-7431-14 232

Internet: <http://www.mt.com>