

Transmitter pH 2100 e, O₂ 4100 e, and O₂ 4100 ppb

Advanced transmitters for reliable measurements and for harsh conditions

Technical Data



Short description

The cost-effective transmitters pH 2100 e, O₂ 4100 e and O₂ 4100 ppb are suitable designed for highly reliable and accurate measurements in a wide range of industrial applications. The instruments are easy to operate and the large-size LCD provides substantial all essential information. The measurement values are displayed in large characters and additional pictographs explain function operation and advises any signal or functional irregularities.

Features

- New!** – Two 0/4...20 mA current outputs
- Two limit contacts
- Alarm contact
- Wash contact
- Continuous monitoring of sensor and transmitter
- Sensor diagnostic
- Easy operation with help of pictographs
- New!** – PID controller
- New!** – Ability to communicate with EasyClean, a Mettler-Toledo sensor cleaning and calibration system

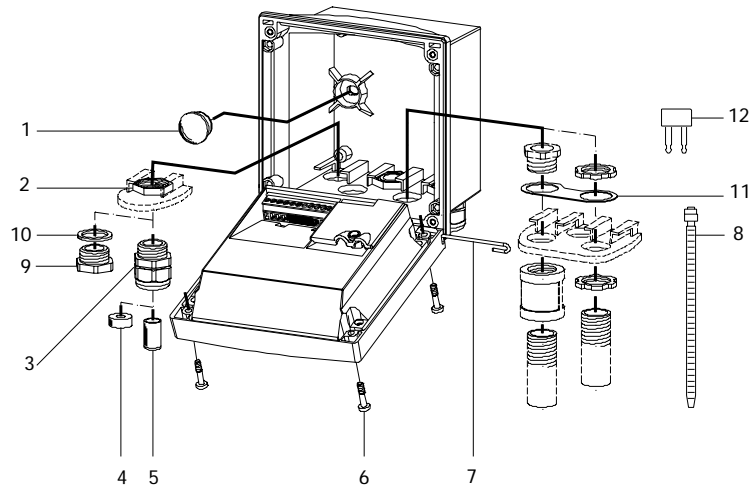
Contents

Drawings	2
Specifications Transmitter pH 2100 e	4
Specifications Transmitter O ₂ 4100 e	6
Specifications Transmitter O ₂ 4100 ppb	7
Terminal assignment Advanced Line	8
General Specifications Advanced Line	9
Ordering information	11

METTLER TOLEDO

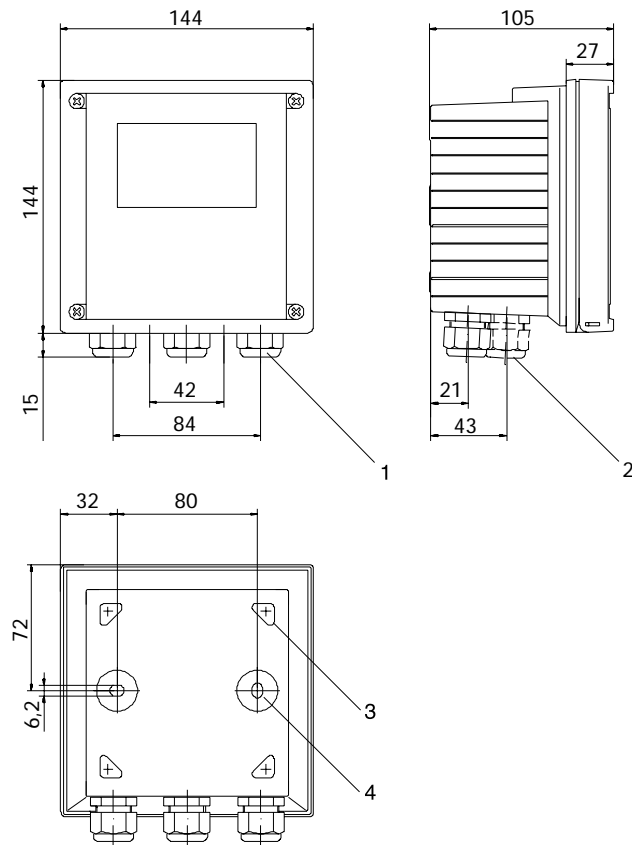
Drawings

Assembly



- 1 Sealing plugs
- 2 Hexagon nuts
- 3 Pg cable glands
- 4 Rubber reducer
- 5 Pg plug
- 6 Enclosure screws
- 7 Hinge pin
- 8 Cable ties
- 9 Filler plugs
- 10 Gaskets
- 11 Washer
- 12 Jumper

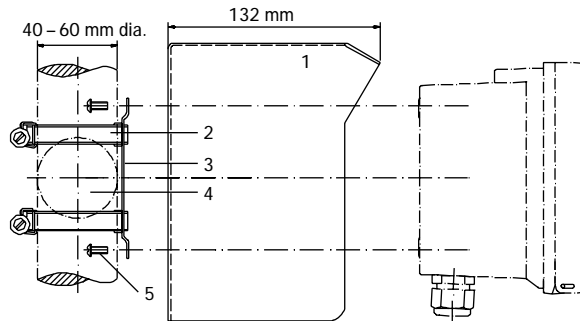
Mounting



- 1 Cable gland (3 pieces)
- 2 Breakthroughs for cable gland or conduit 1/2", \varnothing 21.5 mm (2 breakthroughs).
Conduits not included!
- 3 Holes for post mounting
- 4 Holes for wall mounting

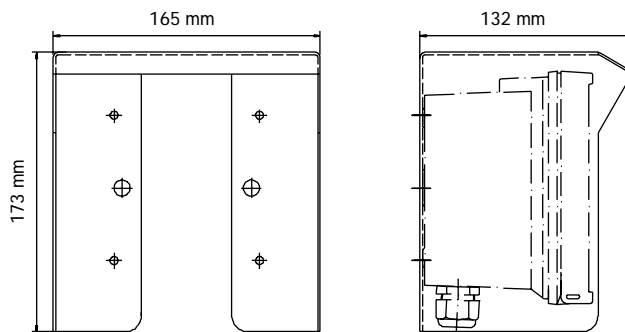
Drawings

Pipe mounting with ZU 0274 bracket kit

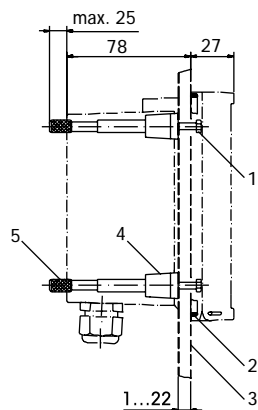


- 1 Protected hood (if required)
- 2 Hose clamps with worm gear drive to DIN 3017 (2 pieces)
- 3 Postmounting plate
- 4 For vertical or horizontal post/pipe mounting
- 5 Self-tapping screws

Protective hood ZU 0276 for wall and pipe mounting



Panel-mount kit ZU 0275



- 1 Screws
- 2 Seal
- 3 Control panel
- 4 Span pieces
- 5 Threaded sleeves

pH/mV input	Input for pH, ORP electrodes or ISFET	
	Measurement range	-1500...+1500 mV
	Display range	pH value -2.00...16.00 ORP -1999...+1999 mV
	Glass electrode input ¹⁾	
	Input resistance	> 0.5 x 10 ¹² Ohms
	Input current	< 2 x 10 ⁻¹² A
	Reference electrode input ¹⁾	
	Input resistance	> 1 x 10 ¹⁰ Ohms
	Input current	< 1 x 10 ⁻¹⁰ A
	Meas. error ^{1,2,3)}	
	pH value	< 0.02
	mV value	< 1 mV
<hr/>		
Electrode standardization pH*	pH calibration	
Operating modes	<p>BUF Buffer sets Calibration with automatic buffer recognition Calimatic:</p> <p>-01- Mettler-Toledo 2.00/4.01/7.00/9.21</p> <p>-02- Merck/Riedel de Haen 2.00/4.00/7.00/9.00/12.00</p> <p>-03- Ciba (94) 2.06/4.00/7.00/10.00</p> <p>-04- NIST technical 1.68/4.00/7.00/10.01/12.46</p> <p>-05- NIST standard 1.679/4.006/6.865/9.180</p> <p>-06- HACH 4.00/7.00/10.18</p> <p>-07- WTW technical buffers 2.00/4.01/7.00/10.00</p> <p>MAN Calibration with manual entry of individual buffer values</p> <p>DAT Data entry of premeasured electrodes</p>	
Zero point adjustment	±200 mV	
Max. calibration range	Asymmetry potential: ±60 mV Slope: 80...103 % (47.5...61 mV/pH)	
<hr/>		
Sensor standardization		
ORP*	ORP calibration	
Max. calibration range	-700...+700 Δ mV	
<hr/>		
Cal timer	0000...9999 h	
<hr/>		
Sensocheck	automatic monitoring of glass and reference electrode (can be disabled)	
<hr/>		
Sensoface	provides information on the electrode condition. Evaluation of zero/slope, response, calibration interval, Sensocheck	
<hr/>		

Temperature input *	Pt 100/Pt 1000/NTC 30 kOhms/NTC 8.55 kOhms 2-wire connection, adjustable						
Measurement range	<table border="0"> <tr> <td>Pt 100/Pt 1000:</td> <td>-20.0...+200.0 °C (-4...+392 °F)</td> </tr> <tr> <td>NTC 30 kOhms</td> <td>-20.0...+150.0 °C (-4...+302 °F)</td> </tr> <tr> <td>NTC 8.55 kOhms</td> <td>-10.0...+130.0 °C (+ 14...+266 °F)</td> </tr> </table>	Pt 100/Pt 1000:	-20.0...+200.0 °C (-4...+392 °F)	NTC 30 kOhms	-20.0...+150.0 °C (-4...+302 °F)	NTC 8.55 kOhms	-10.0...+130.0 °C (+ 14...+266 °F)
Pt 100/Pt 1000:	-20.0...+200.0 °C (-4...+392 °F)						
NTC 30 kOhms	-20.0...+150.0 °C (-4...+302 °F)						
NTC 8.55 kOhms	-10.0...+130.0 °C (+ 14...+266 °F)						
Adjustment range	10 K						
Resolution	0.1 °C/1 °F						
Meas. error ^{1,2,3)}	< 0.5 K (< 1 K for Pt100; <1K for NTC >100 °C)						
Temp. compensation of process medium	Linear -19.99...+19.99%/K (reference temp 25 °C)						
Power output	for operating an ISFET adapter + 3 V/0.5 mA - 3 V/0.5 mA						

* User-defined
 1) To IEC 746 Part 1, at nominal operating conditions
 2) ± 1 count
 3) Plus sensor error

Dissolved Oxygen input	Sensor Type A:	InPro6000...6800
	Sensor Type B:	InPro6900
	Measuring current	0...1800 nA,
	Resolution	0.05 nA (with V _{pol} = 800 mV and V _{ref} = 200 mV)
	Saturation (-10...80 °C)	0...500 %
	Meas. error ^{1,2,3)}	0.5 % meas. val. +0.5 %
	Concentration (-10...80 °C)	0.00...50.00 mg/l 0.00...50.00 ppm
	Meas. error ^{1,2,3)}	0.5 % meas. val. + 0.05 mg/l or 0.05 ppm
	Adm. guard current	≤ 20 μA
	Polarization voltage *	0...1000 mV,
Process pressure*	0.000...9.999 bar (...999.9 kPa/...145.0 psi)	
Salt correction *	00.00...45.00 g/kg	
Sensor standardization		
Operating modes *	DO saturation (automatic)	
	DO concentration (automatic)	
	Product calibration	
	Zero point calibration	
Calibration range Sensor Type A	Zero point	± 2 nA
	Slope	25...130 nA (at 25 °C, 1013 mbars)
Calibration range Sensor Type B	Zero point	± 2 nA
	Slope	200...550 nA (at 25 °C, 1013 mbars)
Calibration timer*	0000...9999 h	
Pressure correction *	0.000...9.999 bars/999.9 kPa/145.0 psi	
Sensocheck	Monitoring for short circuits/open circuits (can be disabled)	
Sensoface	Provides information on the sensor condition Evaluation of zero/slope, response, calibration interval, Sensocheck	
Temperature input		
	NTC 22 kOhms/NTC 30 kOhms*	
	2-wire connection, adjustable	
Measurement range	-20.0...+150.0 °C/-4...+ 302 °F	
Adjustment range	10 K	
Resolution	0.1 °C/1 °F	
Meas. error ^{1,2,3)}	< 0.5 K (< 1 K at >100 °C)	

* User-defined

1) To IEC 746 Part 1, at nominal operating conditions

2) ± 1 count

3) Plus sensor error

Dissolved Oxygen input	Sensor Type A:	InPro 6000...6800
	Sensor Type B:	Inpro 6900
	Measuring current	0...600 nA,
	Resolution	0.01 nA (with V _{pol} = 500 mV and V _{ref} = 200 mV)
	Saturation (-10...80 °C)	0.0...120.0 %
	Meas. error ^{1,2,3)}	0.5 % meas. val. +0.1 %
	Concentration (-10...80 °C)	0000...9999 µg/l 0000...9999 ppb 0.0000...9.999 mg/l 0.0000...9.999 ppm
	Meas. error ^{1,2,3)}	0.5 % v. M. + 0.005 mg/l or 0.005 ppm
	Adm. guard current	≤ 20 µA
	Polarization voltage*	0...1000 mV,
Process pressure*	0.000...9.999 bars (to 999.9 kPa/...145.0 psi)	
Salt correction*	00.00...45.00 g/kg	
Sensor standardization		
Operating modes *	DO saturation (automatic) DO concentration (automatic) Product calibration Zero point calibration	
Calibration range Sensor Type A	Zero point	± 2 nA
	Slope	25...130 nA (at 25 °C, 1013 mbars)
Calibration range Sensor Type B	Zero point	± 2 nA
	Slope	200...550 nA (at 25 °C, 1013 mbars)
Calibration timer*	0000...9999 h	
Pressure correction *	0.000...9.999 bars/999.9 kPa/145.0 psi	
Sensocheck	Monitoring for short circuits/open circuits (can be disabled)	
Sensoface	Provides information on the sensor condition Evaluation of zero/slope, response, calibration interval, Sensocheck	
Temperature input		
	NTC 22 kOhms/NTC 30 kOhms*	
	2-wire connection, adjustable	
Measurement range	-20.0...+150.0 °C/-4...+ 302 °F	
Adjustment range	10 K	
Resolution	0.1 °C/1 °F	
Meas. error ^{1,2,3)}	< 0.5 K (< 1 K at >100 °C)	

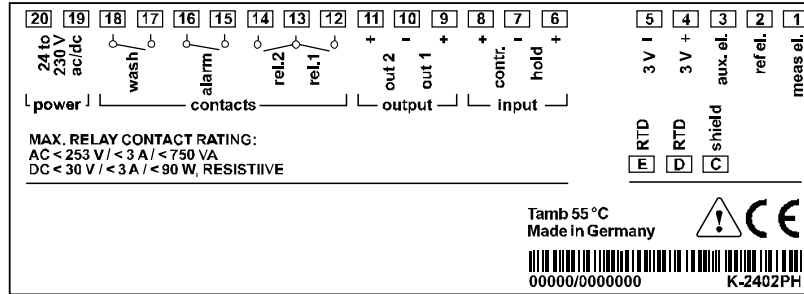
* User-defined

1) To IEC 746 Part 1, at nominal operating conditions

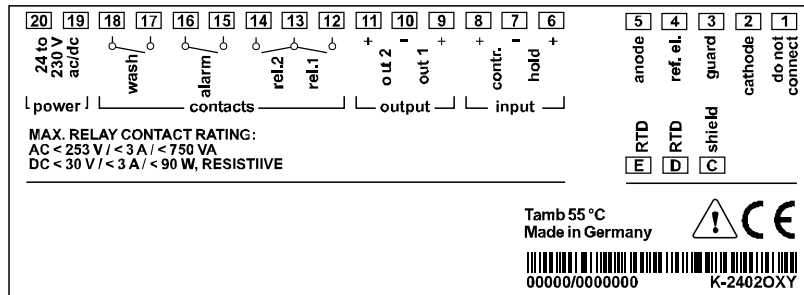
2) ± 1 count

3) Plus sensor error

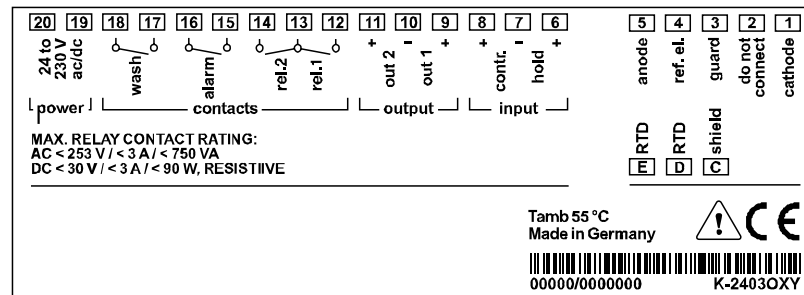
Transmitter pH 2100 e



Transmitter O₂ 4100 e



Transmitter O₂ 4100 ppb



HOLD input	Galv. separated (OPTO coupler)
Function	Switches device to HOLD state
Switching voltage	0...2 V (AC/DC) inactive 10...30 V (AC/DC) active
CONTROL input	Galv. separated (OPTO coupler)
Function	Control input for automatic cleaning/calibration system
Switching voltage	0...2 V (AC/DC) inactive 10...30 V (AC/DC) active
Output 1	0/4...20 mA, max. 10 V, floating (galv. connected to output 2)
Process variable	pH/mV/O ₂
Overrange *	22 mA in the case of error messages
Output filter *	Low-pass, filter time constant 0...120 s
Meas. error ¹⁾	< 0.3 % current value + 0.05 mA
Start/end of scale	As desired within range for pH, mV or DO
Adm. span	pH 2100 e 2.00...18.00/200...3000 mV O ₂ 4100 e 5...500%, 0.5...50 mg/l O ₂ 4100 ppb 0...200%, 0.2...10 mg/l
Output 2	0/4...20 mA, max. 10 V, floating (galv. connected to output 1)
Process variable	Temperature
Overrange *	22 mA in the case of temp error messages
Output filter *	Low-pass, filter time constant 0...120 s
Meas. error ¹⁾	< 0.3 % current value + 0.05 mA
Start/end of scale *	20...200 °C/-4...392 °F
Adm. span	20...220 K (36...396 °F)
Alarm contact	Relay contact, floating
Contact ratings	AC < 250 V/< 3 A/< 750 VA DC < 30 V/< 3 A/< 90 W
Contact response	N/C (fail-safe type)
Alarm delay	0000...0600 s
Limit values	Output via relay contacts R1, R2 Contacts R1, R2 floating, but inter-connected
Contact ratings	AC < 250 V/< 3 A/< 750 VA DC < 30 V/< 3 A/< 90 W
Contact response *	N/C or N/O
Delay *	0000...9999 s
Switching points *	As desired within range
Hysteresis *	pH 2100 e 0...5.00 pH/0...500 mV O ₂ 4100 e 0...50% O ₂ 4100 ppb 0...5.00 mg/l (ppm)

PID process controller	Output via relay contacts R1, R2 (see limit values) (Relay R1 base valve, relay R2 acid valve)
Setpoint specification *	pH 2100 e -02.00...16.00/-1500...+1500 mV O ₂ 4100 e 0...500%/0...50 mg/l O ₂ 4100 ppb 0...120% / 0...10 mg/l
Neutral zone *	pH 2100 e 0...5.00 pH/0...0500 mV O ₂ 4100 e 0...50%/0...5 mg/l O ₂ 4100 ppb 0...50%/0...5 mg/l (ppm)
P-action *	Controller gain K _R : 0010...9999 %
I-action component *	Reset time Tr: 0000...9999 s (0000 s = no integral action)
D-action component *	Derivative-action time Td: 0000...9999 s (0000 s = no derivative action)
Controller type*	Pulse length controller or pulse frequency controller
Pulse period *	0001...0600 s, min. ON time 0.5 s (pulse length controller)
Max. pulse frequency *	0001...0180 min ⁻¹ (Pulse frequency controller)
Cleaning function *	Relay contact, floating for controlling a simple rinsing system or an automatic cleaning system
Contact ratings	AC < 250 V/< 3 A/< 750 VA DC < 30 V/< 3 A/< 90 W
Contact response *	N/C oder N/O
Rinsing interval *	000.0...999.9 h (000.0 h = cleaning function switched off)
Cleaning time *	0000...1999 s
Calibration interval *	000.0...999.9 h
Cleaning interval*	000.0...999.9 h
Display	LC display, 7-segment with icons
Main display	Character height 17 mm, unit symbols 10 mm
Secondary display	Character height 10 mm, unit symbols 7 mm
Sensoface	3 status indicators (friendly, neutral, sad Smiley)
Mode indicators	5 status bars: «meas», «cal», «alarm», «cleaning», «config»
Alarm indication	18 further icons for configuration and messages Red LED in case of alarm or HOLD, user defined
Keypad	5 keys: [cal] [conf] [▲] [▶] [enter]
Service functions	
Current source	Current specifiable for output 1 and 2 (00.00...22.00mA)
Manual controller	Controller output entered directly (start of control process)
Device self-test	Automatic memory test (RAM, FLASH, EEPROM)
Display test	Display of all segments
Last Error	Display of last error occurred
Sensor monitor	Display of direct, uncorrected sensor signal (electrode)
Relay test	Manual control of the four switching contacts
Parameter sets *	Two selectable parameter sets for different applications
Data retention	Parameters and calibration data > 10 years (EEPROM)

EMC	EN 61326 EN 61326/A1
Lightning protection	EN 61000-4-5, Installation Class 2
Protection against electrical shock	Protective separation of all extra-low-voltage circuits against mains as per EN 61010
Power supply	24 (-15%)...230 (+ 10%) V AC/DC; approx. 2 VA AC: 45...65 Hz Overvoltage category II, Class II
Nominal operating conditions	
Ambient temperature	-20...+55 °C
Transport/Storage temp	-20...+70 °C
Relative humidity	10...95 % not condensing
Power supply	24 (-15%)...230 (+ 10 %) V AC/DC
Frequency for AC	45...65 Hz
Enclosure	molded enclosure made of PBT (polybutylene terephthalate)
Color	Bluish gray RAL 7031
Assembly	<ul style="list-style-type: none"> • Wall mounting • Pipe mounting: dia 40...60 mm, Ø 30...45 mm • Panel mounting, cutout to DIN 43 700, Sealed against panel
Dimensions	H 144 mm, W 144 mm, D 105 mm
Ingress protection	IP 65/NEMA 4X
Cable glands	3 breakthroughs for cable glands M20 x 1.5 2 breakthroughs for NPT 1/2" or Rigid Metallic Conduit
Weight	approx. 1 kg

* User-defined

1) To IEC 746 Part 1, at nominal operating conditions

2) ± 1 count

3) Plus sensor error

Ordering information

Item	Designation	Order number
AC/DC version (20...253 V AC/DC)		
pH Transmitter 2100 e	pH 2100 e	52 121 102
O ₂ Transmitter 4100 e	O ₂ 4100 e	52 121 103
O ₂ Transmitter 4100 ppb	O ₂ 4100 ppb	52 121 104
2-wire non ex version		
pH Transmitter 2100/2 with HART®	pH 2100/2H	52 120 724
2-wire EEX ib [ia] IIC T6 version		
pH Transmitter 2100/2X with HART®	pH 2100/2XH	52 120 758
Installation accessories		
Bracket kit	ZU 0274	52 120 741
Panel-mount kit	ZU 0275	52 120 740
Protective hood	ZU 0276	52 120 739

METTLER TOLEDO Market Organizations

Sales and Service:

Australia

Mettler-Toledo Ltd.
220 Turner Street
Port Melbourne
AUS-3207 Victoria
Phone +61 39 644 57 20
Fax +61 39 645 39 35
e-mail mtausprocess@mt.com

Austria

Mettler-Toledo GmbH
Favoritner Gewerberg 17
A-1100 Wien
Phone +43 1 604 19 80
Fax +43 1 604 28 80
e-mail infoprocess.mtat@mt.com

Brazil

Mettler-Toledo Ind. e Com. Ltda.
Alameda Araguaia
451 - Alphaville
BR-06455-000 Barueri/SP
Phone +55 11 4166 74 00
Fax +55 11 4166 74 01
e-mail sales@mettler.com.br
service@mettler.com.br

China

Mettler-Toledo Instruments
(Shanghai) Co. Ltd.
589 Gui Ping Road
Cao He Jing
CN-200233 Shanghai
Phone +86 21 64 85 04 35
Fax +86 21 64 85 33 51

Croatia

Mettler-Toledo d.o.o.
Mandlova 3
HR-10000 Zagreb
Phone +385 1 292 06 33
Fax +385 1 295 81 40
e-mail mt-zag@zg.tel.hr

Czech Republic

Mettler-Toledo s.r.o.
Trebosticka 2283/2
CZ-10000 Praha 10
Phone +420 2 72 123 151
Fax +420 2 72 123 170
e-mail sales.mtcz@mt.com

Denmark

Mettler-Toledo A/S
Naverland 8
DK-2600 Glostrup
Phone +45 43 27 08 00
Fax +45 43 27 08 28
e-mail mtdk@post10.tele.dk
lsl@mts.mt.com

France

Mettler-Toledo
Analyse Industrielle Sarl.
30, Boulevard Douaumont
BP 949
F-75829 Paris Cedex 17
Phone +33 1 47 37 06 00
Fax +33 1 47 37 46 26
e-mail mtpro-f@mt.com

Germany

Mettler-Toledo GmbH
Prozeßanalytik
Ockerweg 3
D-35396 Gießen
Phone +49 641 507 333
Fax +49 641 507 397
e-mail prozess@mt.com

Great Britain

Mettler-Toledo LTD
64 Boston Road Beaumont Leys
GB-LE4 1AW Leicester
Phone +44 116 235 7070
Fax +44 116 236 5500
e-mail enquire.mtuk@mt.com

Hungary

Mettler-Toledo Kereskedelmi KFT
Teve u. 41
HU-1139 Budapest
Phone +36 1 288 40 40
Fax +36 1 288 40 50

Italy

Mettler-Toledo S.p.A.
Via Vialba 42
I-20026 Novate Milanese
Phone +39 02 333 321
Fax +39 02 356 2973
e-mail mettler.toledo@interbusiness.it

Japan

Mettler-Toledo K.K.
5F Tokyo Ryutsu Center Annex B
6-1-1 Heiwajima, Ohta-ku
JP-143-0006 Tokyo
Phone +81 3 5762 07 06
Fax +81 3 5762 09 71

Mexico

Mettler-Toledo S.A. de C.V.
Pino No. 350, Col. Sta.
Col Atlampa
MX-06450 México D.F.
Phone +52 5 541 33 00
Fax +52 5 541 04 02
e-mail mario.roca@mt.com

Poland

Mettler-Toledo (Poland) Sp.z.o.o.
ul. Iwonicka 39
PL-02-924 Warszawa
Phone +48 22 651 92 32
Fax +48 22 651 71 72

Russia

Mettler-Toledo ZAO
Sretenskij Bulvar 6/1
Office 6
RU-101000 Moscow
Phone +7 095 921 92 11
Fax +7 095 921 63 53
+7 095 921 78 68

Singapore

Mettler-Toledo (S) Pte. Ltd.
Block 28
Ayer Rajah Crescent #05-01
SG-139959 Singapore
Phone +65 890 00 11
Fax +65 890 00 12
+65 890 00 13

Slovakia

Mettler-Toledo SERV s.r.o.
Bulharska 61
SK-82104 Bratislava
Phone +421 743 42 74 96
Fax +421 743 33 71 90

Slovenia

Mettler-Toledo d.o.o.
IOC Trzin, Peske 12
SI-1236 Trzin
Phone +386 61 162 18 01
Fax +386 61 162 17 89
e-mail cipot@mtslo.mt.com
racman@mettler-toledo.si

Sweden

Mettler-Toledo AB
Virkesvägen 10
Box 92161
SE-12008 Stockholm
Phone +46 8 702 50 00
Fax +46 8 642 45 62
e-mail sales.mts@mt.com

Switzerland

Mettler-Toledo (Schweiz) AG
Im Langacher
Postfach
CH-8606 Greifensee
Phone +41 1 944 45 45
Fax +41 1 944 45 10
e-mail info.ch@mt.com

Thailand

Mettler-Toledo Thailand
1. Floor, 272 Block A3
Raintree Office Garden
Rama 9 Rd. Kuay Kwang
TH-10310 Bangkok
Phone +66 2 723 03 00
Fax +66 2 719 64 79

USA

Mettler-Toledo
Process Analytical, Inc.
299 Washington Street
Woburn, MA 01801, USA
Phone +1 781 939 6300
Toll free +1 800 352 8763
Fax +1 781 939 6390
e-mail mtprou@mt.com



Management System
certified according to
ISO 9001 / ISO 14001



INTERNET

<http://www.mtpro.com>

Subject to technical changes.
© Mettler-Toledo GmbH, Process Analytics
05/02 Printed in Switzerland. 52 121 132

Mettler-Toledo GmbH, Process Analytics
Industrie Nord, CH-8902 Urdorf
Tel. + 41 1 736 22 11, Fax +41 1 736 26 36