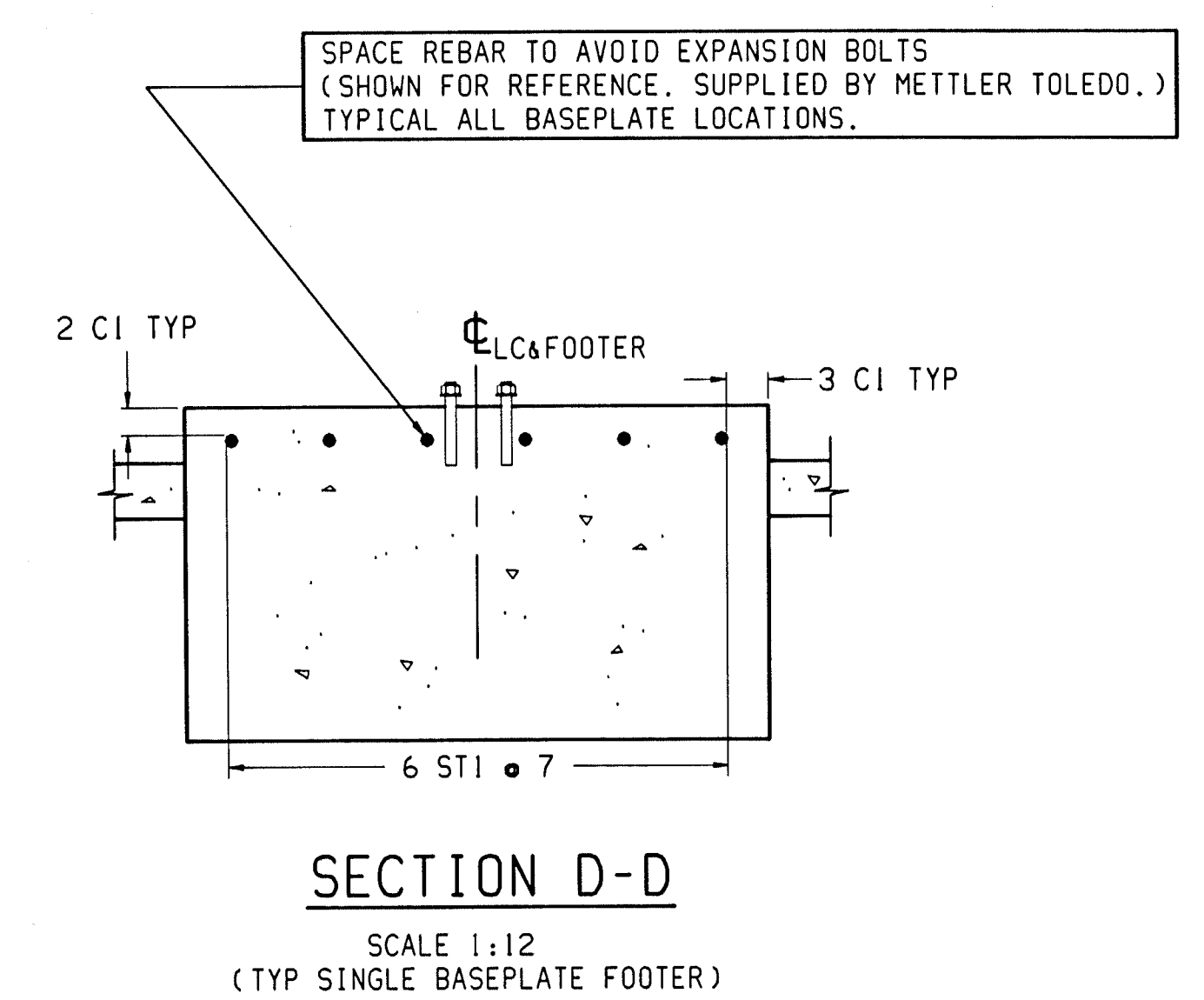
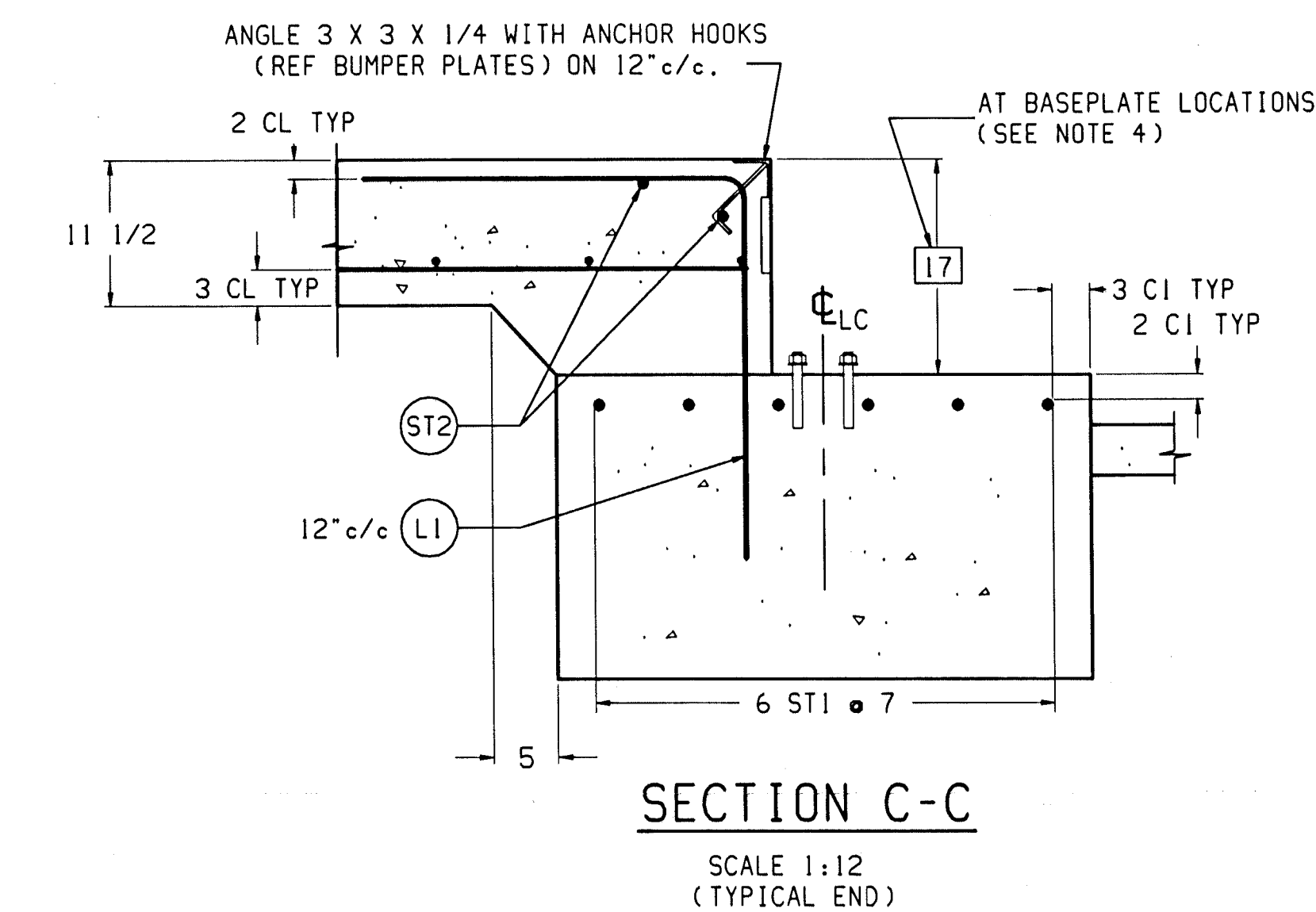
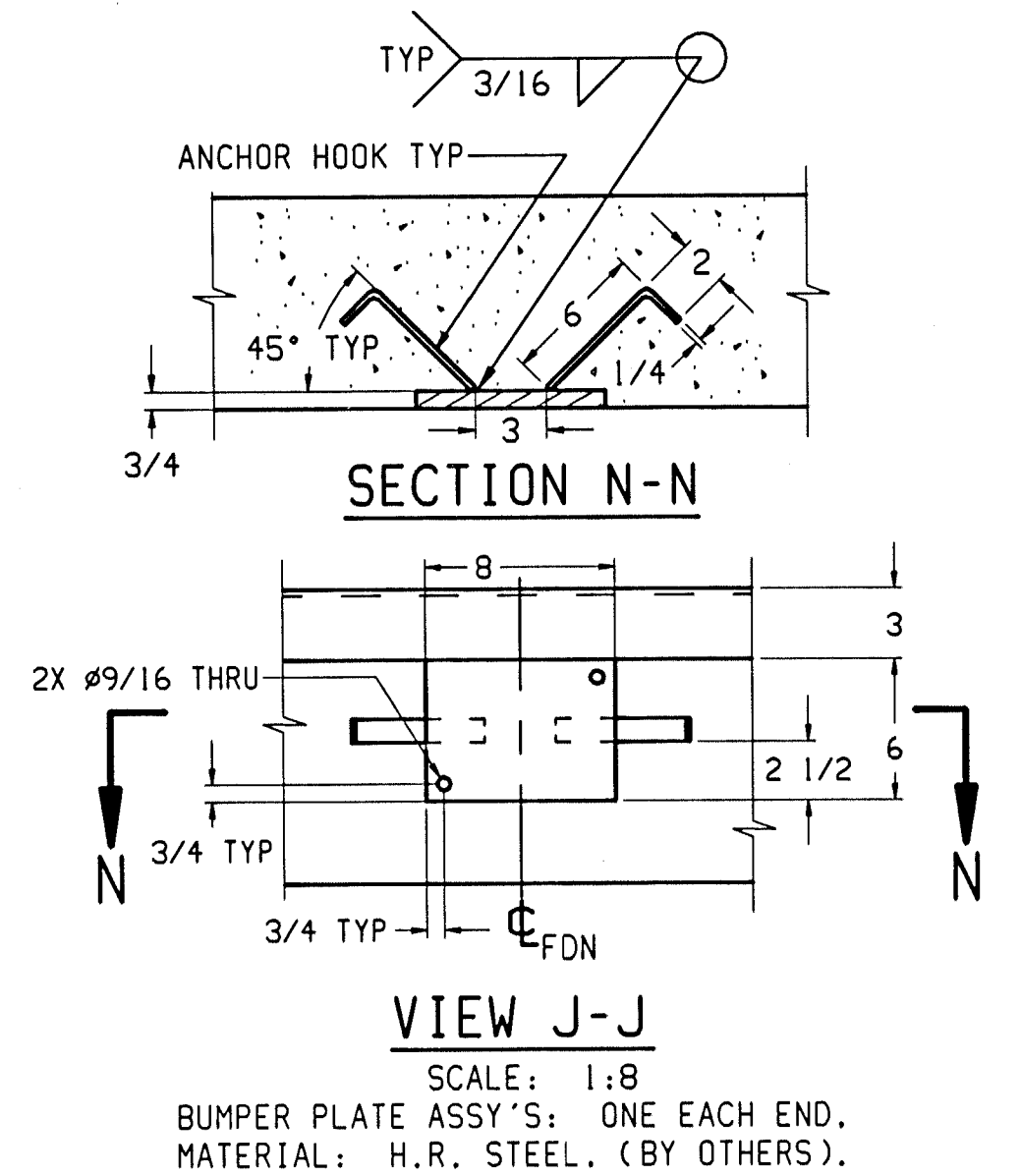
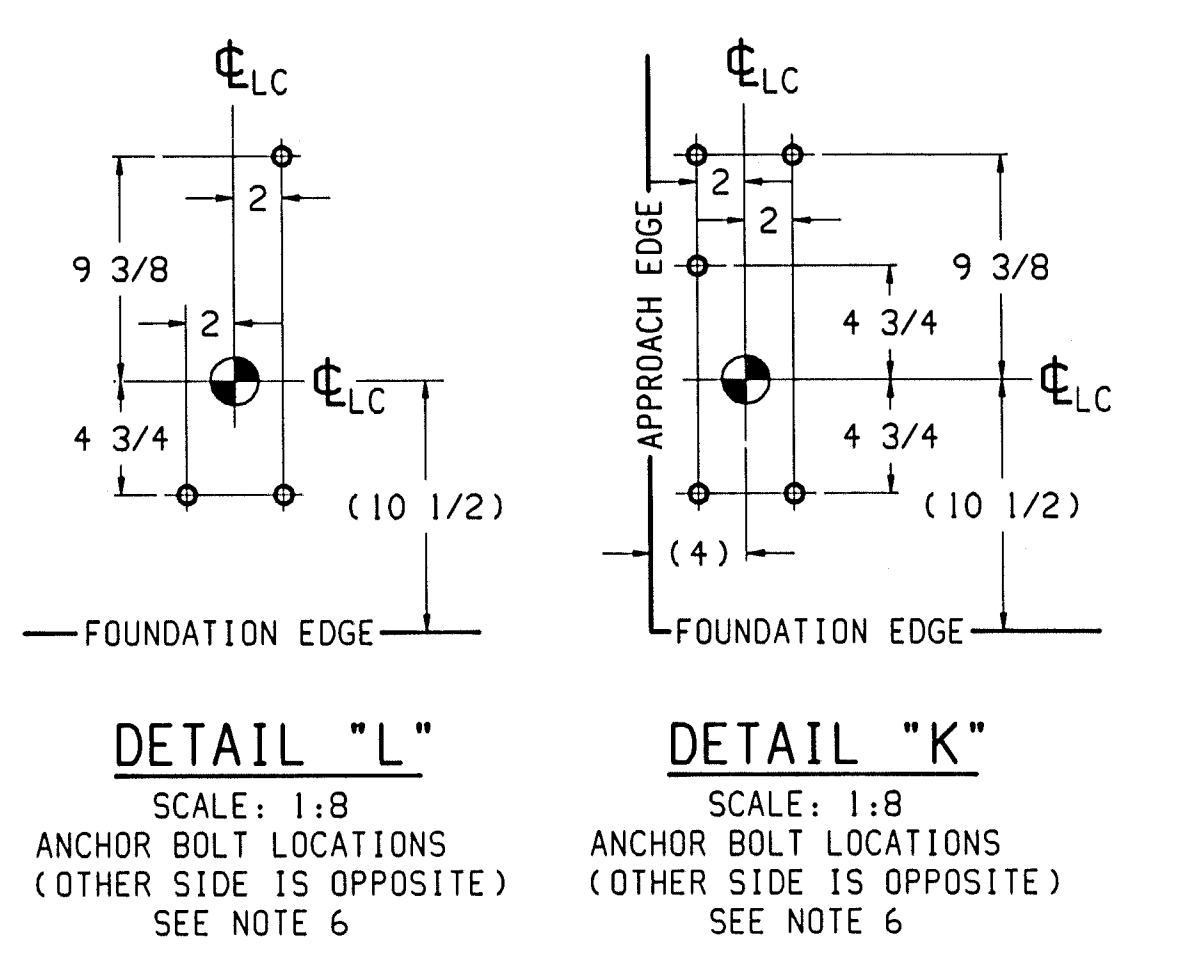
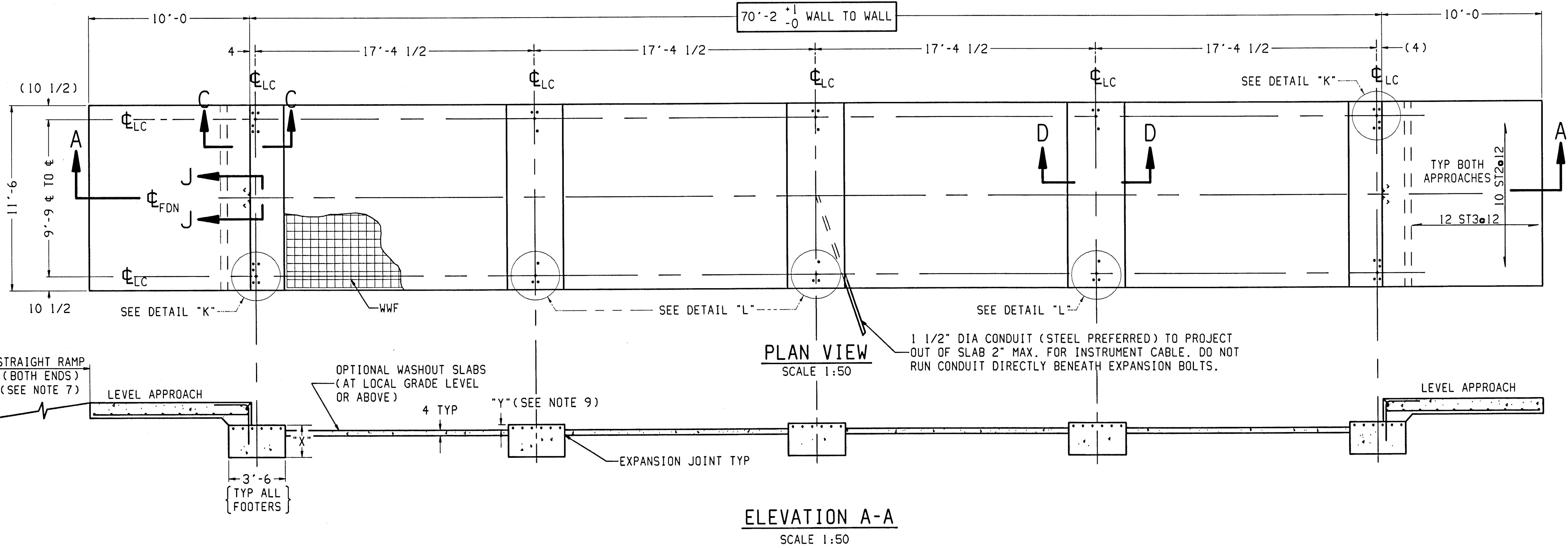


REINFORCING STEEL SCHEDULE (A.S.T.M. A-615 GRADE 60)

SYM	QTY	SIZE	LOCATION, DIRECTION	A/B		WGT
				A	B	
ST1	30	#6	FOOTERS, LATERAL	11'		496
ST2	4	#5	ENDS, LATERAL	11'		46
	20		APPROACHES, LATERAL			229
ST3	24	#5	APPROACHES, LONG.	9'-6"		238
L1	24	#5	APPROACH TO END TIES	2'-6"	2'-6"	125



MATERIAL SUMMARY*
(INCLUDES FOOTERS & APPROACHES)

	FOOTER DEPTH: "X" INCHES (24 INCH MINIMUM)				
	24	36	48	60	72
CONCRETE (CU. YDS.)	23	31	38	45	54
REINFORCING STEEL (LBS)	1134				

* IF OPTIONAL WASHOUT SLABS ARE USED, ADD: 650 SQ. FT. OF WWF: 6x6-W1.4xW1.4 8 CU. YD. OF CONCRETE.

NOTES:

- 1) USE MINIMUM 3000 PSI STRENGTH CONCRETE AT 28 DAYS WITH 5-7% AIR ENTRAINMENT.
- 2) USE MINIMUM 60KSI YIELD DEFORMED REINFORCING STEEL.
- 3) FOUNDATION REQUIRES 2500 PSF RATED SOIL.
- 4) TOP OF CONCRETE AT BASEPLATE LOCATIONS TO BE LEVEL AND IN ONE PLANE ±1/8"
- 5) DIAGONAL MEASUREMENTS ENDWALL TO ENDWALL MUST BE EQUAL WITHIN 1/2"
- 6) BASEPLATE ANCHORS TO BE SUPPLIED BY METTLER TOLEDO.
USE BASEPLATES AS TEMPLATES TO LOCATE ANCHORS DURING SCALE INSTALLATION.
- 7) RAMP LENGTH: -PER LOCAL REGULATIONS
-1/2" SLOPE PER FOOT TYPICAL
- 8) BOTTOM OF FOOTER MUST BE BELOW LOCAL FROSTLINE.
IF LOCAL FROSTLINE IS UNKNOWN, REFER TO DRAWING TA201033 (U.S. WEATHER BUREAU FROST PENETRATION AVERAGES).
- 9) FOOTER HEIGHT "Y" CAN BE VARIED TO SUIT LOCAL REQUIREMENTS.
IT IS RECOMMENDED THAT THE TOP OF THE FOOTER BE AT LEAST 3" ABOVE GRADE LEVEL.
THIS WILL ALLOW 6" TOTAL CLEARANCE BETWEEN THE SCALE AND WASHOUT SLABS.
IF PERMITTED BY LOCAL REGULATIONS, THE FOOTER CAN BE MADE FLUSH WITH GRADE LEVEL IN APPLICATIONS WHERE DEBRIS BUILD UP IS NOT EXPECTED TO BE A PROBLEM.
- 10) OPTIONAL: 6" OF GRAVEL MAY BE USED UNDER APPROACHES TO IMPROVE DRAINAGE.
- 11) CONTRACTOR SUPPLIES:
-EXCAVATION
-REINFORCING STEEL
-CURB ANGLE ASSEMBLIES (SECT C-C)

- CONCRETE AND FORMS
- 1 1/2" DIA CONDUIT
- BUMPER PLATE ASSEMBLIES (VIEWS J-J & N-N)

REV	CHANGE	BY	DATE	SCALE 1:50 DATE 8/16/99		REV
				DRN HBW APR 98		
TITLE 7563 FOUNDATION: VARIABLE FOOTER 70' X 11'						
UNLESS OTHERWISE SPECIFIED, ALL DIMENSIONS ARE IN INCHES, AND DIMENSIONAL TOLERANCES ARE: FRACTIONAL DECIMAL ANGULAR ±1/32 .XX ±.02 ±.5°					THIS PRINT IS FURNISHED WITH THE UNDERSTANDING THAT THE ESSENCE THEREOF WILL NOT BE REPRODUCED IN WHOLE OR IN PART WITHOUT WRITTEN AUTHORIZATION OF METTLER TOLEDO, INC. ALL DESIGNS ARE THE PROPERTY OF METTLER TOLEDO, INC. AND WILL BE PROTECTED BY PATENTS.	
						TC204175