

SIZE & CONFIGURATION				DIMENSIONAL CHART					
SCALE SIZE	FIRST	MIDDLE	TERMINAL	MINIMUM FOUNDATION OPENING ("A")	DECK LENGTH "B"	TOTAL L/C "C"	"D"	"E"	"F"
52.5'	17.5'	17.5'	17.5'	52'-9 1/2"	52'-7 1/2"	52'-1 1/2"	17'-4 1/2"	17'-4 1/2"	17'-4 1/2"
55'	17.5'	20'	17.5'	55'-3 1/2"	55'-1 1/2"	54'-7 1/2"	17'-4 1/2"	19'-10 1/2"	17'-4 1/2"
60'	20'	20'	20'	60'-3 1/2"	60'-1 1/2"	59'-7 1/2"	19'-10 1/2"	19'-10 1/2"	19'-10 1/2"
70'	23.3'	23.3'	23.3'	70'-2"	70'-0"	69'-6"	23'-2"	23'-2"	23'-2"

NOTES:

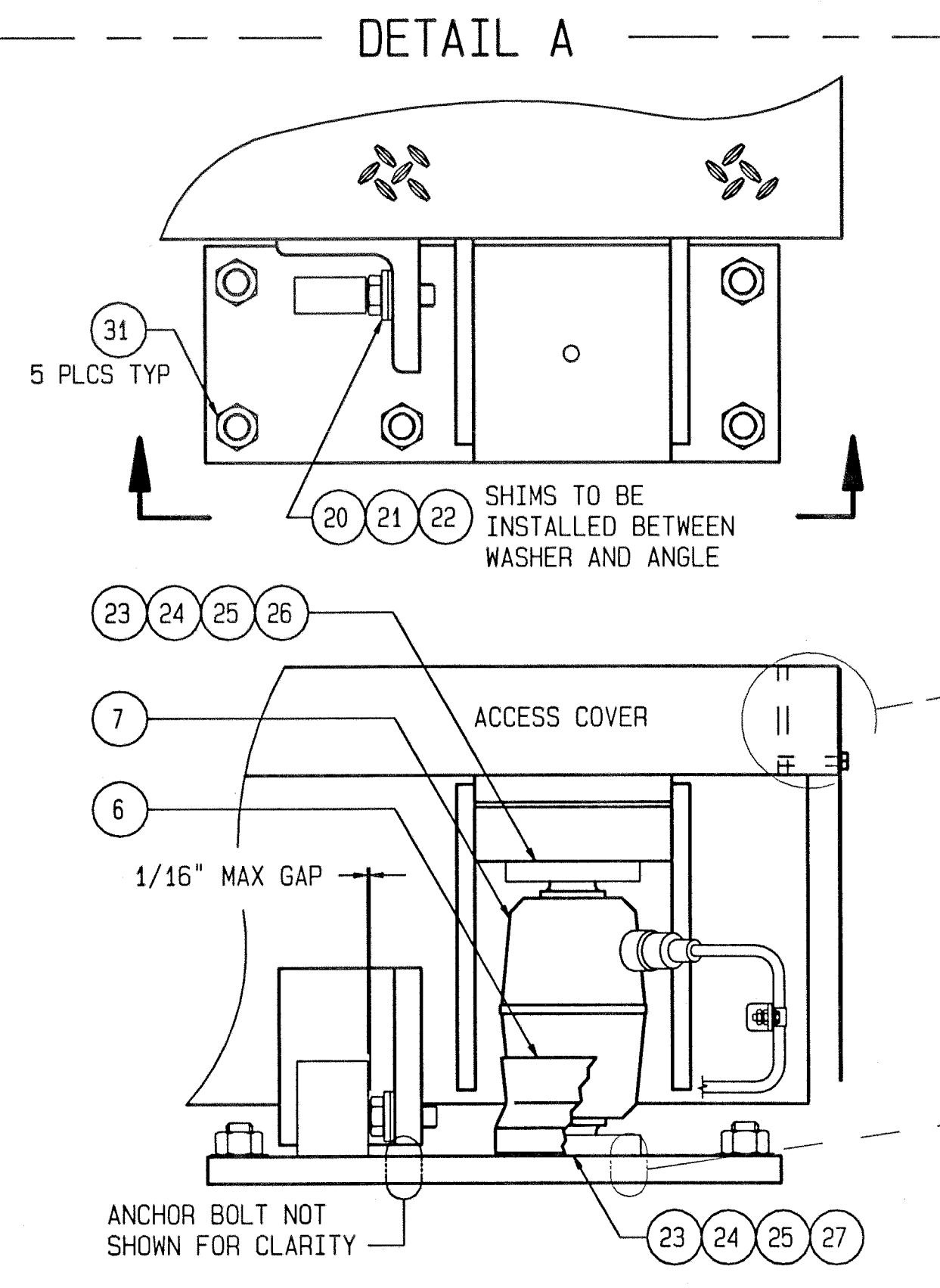
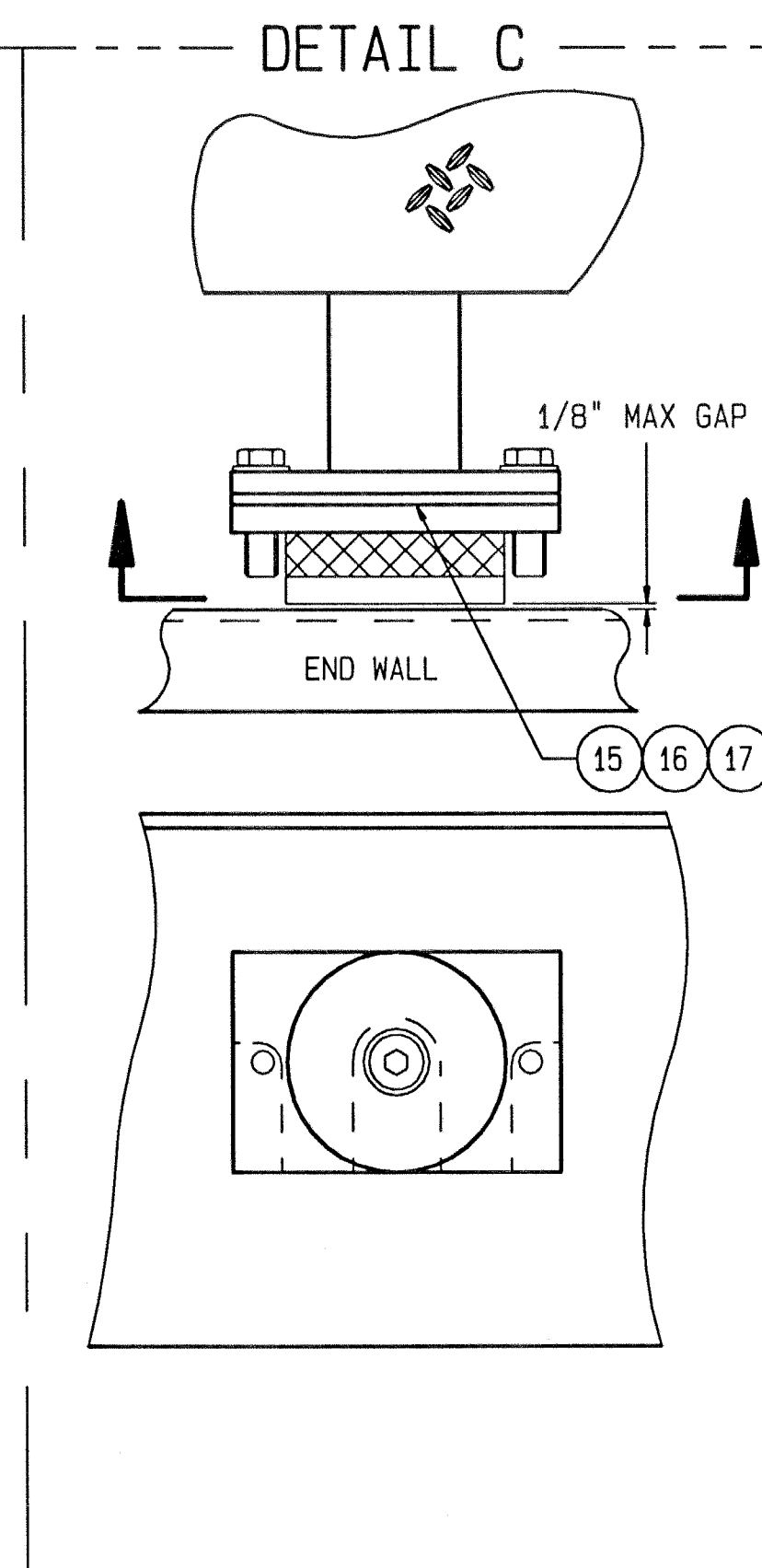
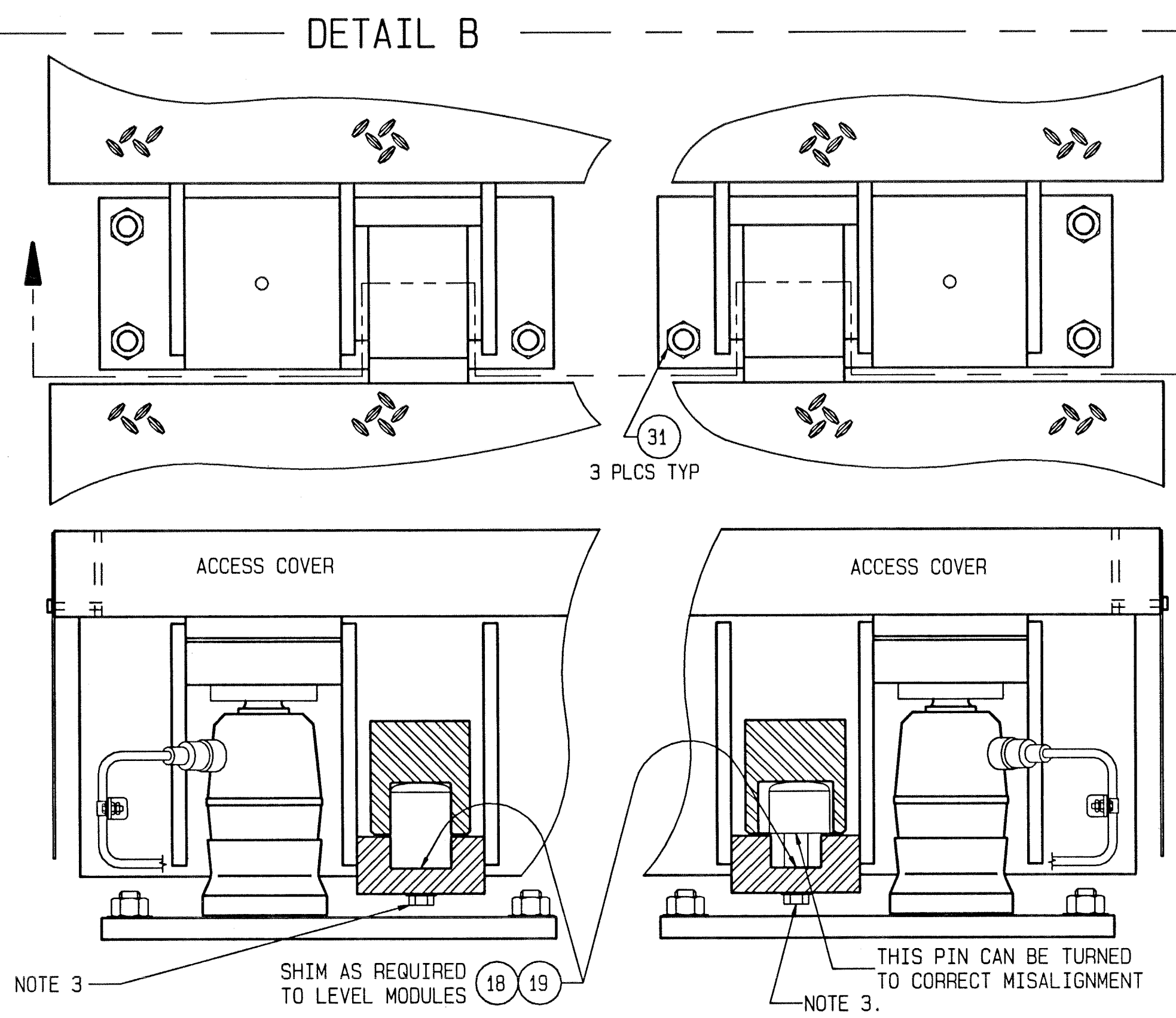
- FOUNDATION LENGTH DIMENSION SHOWN IS NOMINAL, ACTUAL TOLERANCE IS -0 +1".
- MODULE SUFFIX IS USED TO DESIGNATE MODULE ASSEMBLY, HARDWARE AND WIRING CONFIGURATION. HAZARDOUS CONFIGURATION IN PARENTHESIS
- APPLY LOCTITE #242 TO ALL GAP COVER AND SIDE COVER BOLTS. IF COUPLER PINS ARE REMOVED, APPLY LOCTITE & TORQUE 1/3 TURN PAST SNUG.
- APPLY A 1/4" BEAD OF DIELECTRIC COMPOUND IN THE MALE CONNECTOR OF LOAD CELL BEFORE FINAL CONNECTION.
- IF DIELECTRIC COMPOUND BECOMES CONTAMINATED, CLEAN CONNECTOR WITH TB202627 CONNECTOR CLEANER. REAPPLY NEW COMPOUND TO THE CONNECTOR.

35	16	MZ0901010609 MZ0901010065	HHCS, 1/4-20 x 1 3/4", SS (-1 KOP) HHCS, 1/4-20 x 3/4", SS (-3 KOP)
34	8	TN202152	SIDE COVER CLAMP PLATE
33	8	TA202172	SIDE COVER
32	2	TN203217	LUBRICANT, LOADCELL-RECEIVER
31	32	TN203216	ANCHOR BOLT
30	1	TN203056	CONNECTOR DIELECTRIC COMPOUND
29	1	TB202627	CONNECTOR CLEANER
28	1	MZ0602000117	LOCTITE #242 THREADLOCKER
27	8	TA200814	BOTTOM HEX RECEIVER
26	8	TA200764	TOP RECEIVER WITH O-RING
25	8	TA200712-3	RECEIVER SHIM 7 GA (.187")
24	16	TA200712-2	RECEIVER SHIM 16 GA (.060")
23	16	TA200712-1	RECEIVER SHIM 11 GA (.120")
22	4	TA200357-3	SLOTTED SHIM 22 GA (.030")
21	4	TA200357-2	SLOTTED SHIM 16 GA (.060")
20	4	TA200357-1	SLOTTED SHIM 11 GA (.120")
19	4	TN202990-2	COUPLER SHIM 16 GA (.060")
18	2	TN202990-1	COUPLER SHIM 11 GA (.120")
17	2	TA200856-3	END BUMPER SHIM 16 GA (.060")
16	2	TA200856-2	END BUMPER SHIM 11 GA (.120")
15	3	TA200856-1	END BUMPER SHIM 1/4"

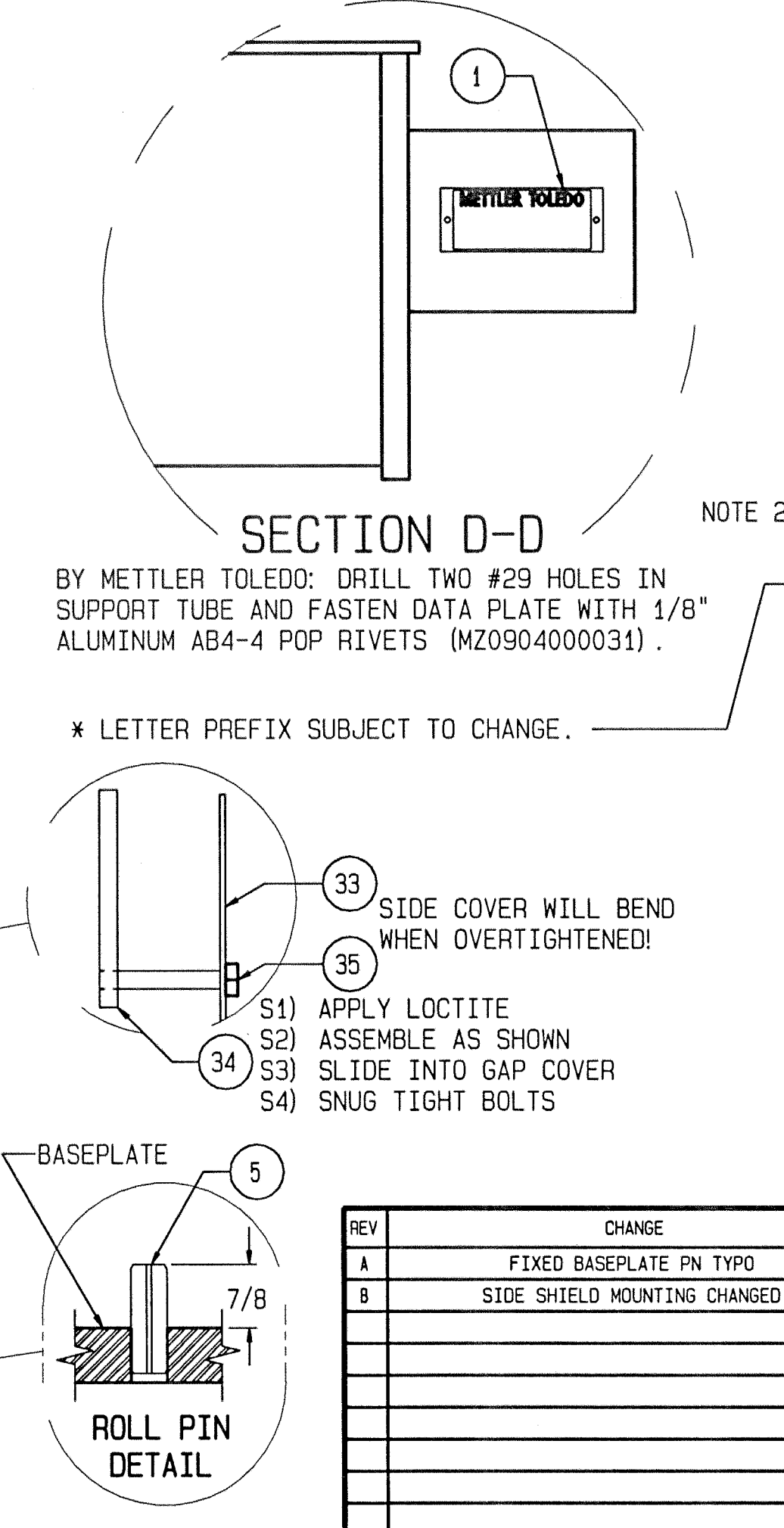
ITEM	QTY	PART NUMBER	DESCRIPTION
HARDWARE KIT OF PARTS: TC205383-1			
KOP TC205383-2 DOES NOT INCLUDE ITEMS 33, 34, OR 35.			

NOTES FOR HAZARDOUS AREA WIRING:

H1. THE HAZARDOUS AREA WIRING AND LIGHTNING PROTECTION KIT IS SPECIFIC FOR THE SUPPLY VOLTAGE AND THE INDICATOR USED. IT MUST BE INCLUDED FOR INTRINSICALLY SAFE COMPLIANCE IN HAZARDOUS LOCATIONS.



IMPORTANT:
THE INTERIOR SURFACE OF ALL LOAD CELL RECEIVERS (BOTH TOP AND BOTTOM) MUST BE GREASED WITH TN203217 DURING CELL INSTALLATION.



12	1	TC205383-1 TC205383-2 TC205383-3	HARDWARE KIT OF PARTS HARDWARE KOP FOR PIT SCALES HARDWARE KOP FOR 9'10" WIDE SCALES
11	1	TN204213	TOUCH-UP PAINT KIT
10	1	REF 3Z SUFFIX REF 3Z SUFFIX	STANDARD TERMINAL MODULE HAZARDOUS TERMINAL MODULE
9	1	REF 2B SUFFIX REF 2C SUFFIX	STANDARD MIDDLE MODULE HAZARDOUS MIDDLE MODULE
8	1	REF 1F SUFFIX REF 1E SUFFIX	STANDARD FIRST MODULE HAZARDOUS FIRST MODULE
7	8	*14002900A *15475900A	LOAD CELL, POWERCELL, 45mt CAPACITY LOAD CELL, MTX, 45mt CAPACITY
6	8	TN203173 TN203705	GASKET - USE W/ 760 LOAD CELL BOOT - USE W/ MTX
5	8	MZ0904000063	Ø 1/2 ROLL PIN, 1-1/2" LONG
4	2	TB200929-4	BASEPLATE, RIGHT BUMPER
3	2	TB200929-3	BASEPLATE, LEFT BUMPER
2	4	TB200929-2	BASEPLATE, NO BUMPER
1	1	MN31004	DATA PLATE

ITEM	QTY	PART NUMBER	DESCRIPTION
------	-----	-------------	-------------

MAJOR BILL OF MATERIAL

REV	CHANGE	BY	DATE	SCALE	DATE
A	FIXED BASEPLATE PN TYPO	MCP	03/25/03	.25	02/05/03
B	SIDE SHIELD MOUNTING CHANGED	MCP	12/07/05		

METTLER TOLEDO

TITLE 7562C GENERAL LAYOUT, 3-MODULE SCALES.

UNLESS OTHERWISE SPECIFIED, ALL DIMENSIONS ARE IN INCHES, AND DIMENSIONAL TOLERANCES ARE:
 FRACTIONAL DECIMAL ANGULAR
 1/32 .XX ±.02 ±.5°
 .XXX ±.005

TC205383 REV B