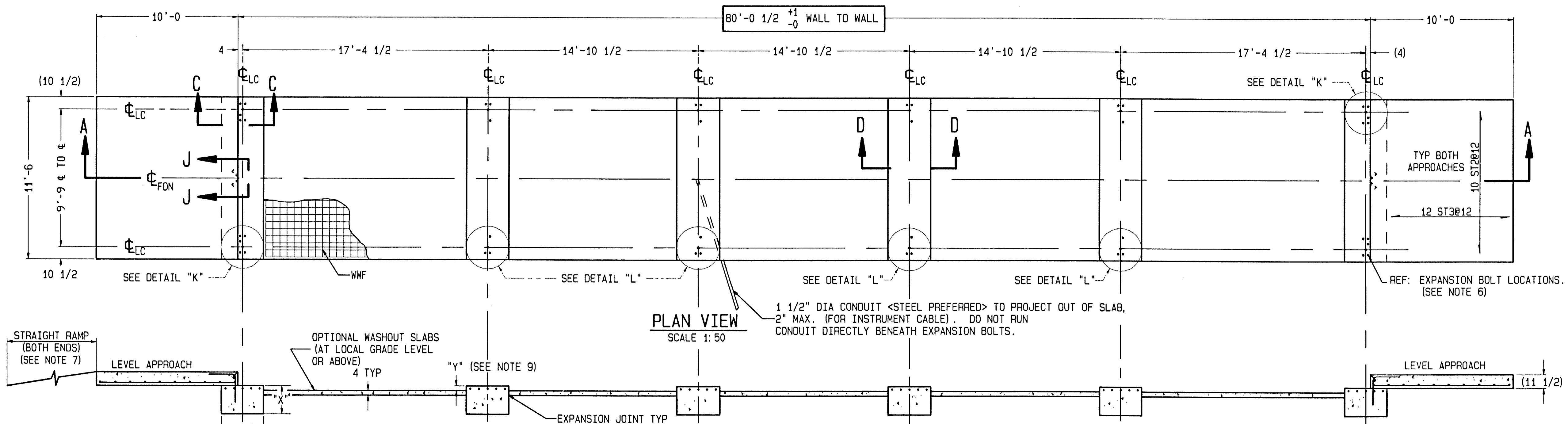
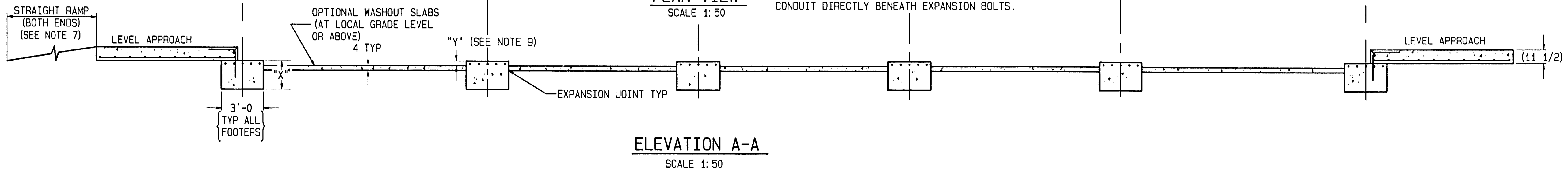


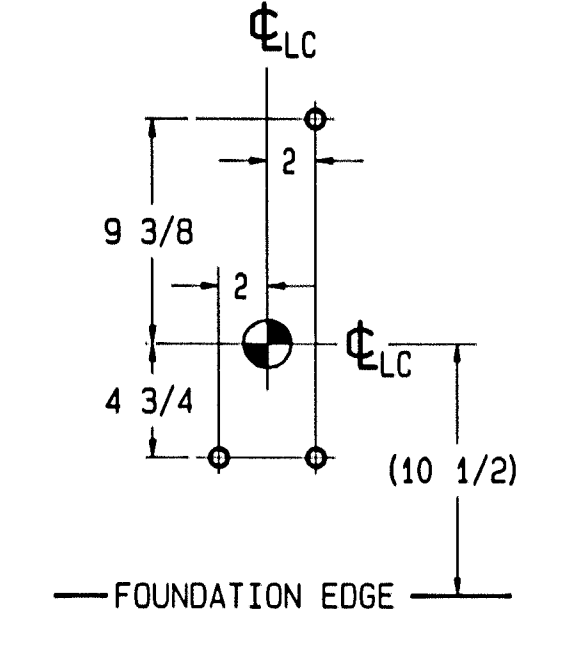
REINFORCING STEEL SCHEDULE (A.S.T.M. A-615 GRADE 60)						
SYM	QTY	SIZE	LOCATION, DIRECTION	A		WGT
				A	B	
ST1	30	#6	FOOTERS, LATERAL	11'-0"		496
ST2	4	#5	ENDS, LATERAL	11'-0"		46
	20		APPROACHES, LATERAL			230
ST3	24	#5	APPROACHES, LONG.	9'-6"		238
L1	24	#5	APPROACH TO END TIES	2'-0"	2'-0"	101



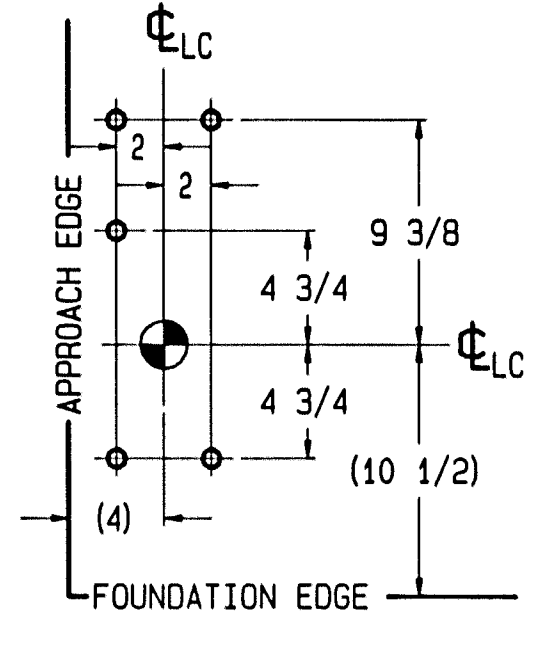
PLAN VIEW
SCALE 1:50



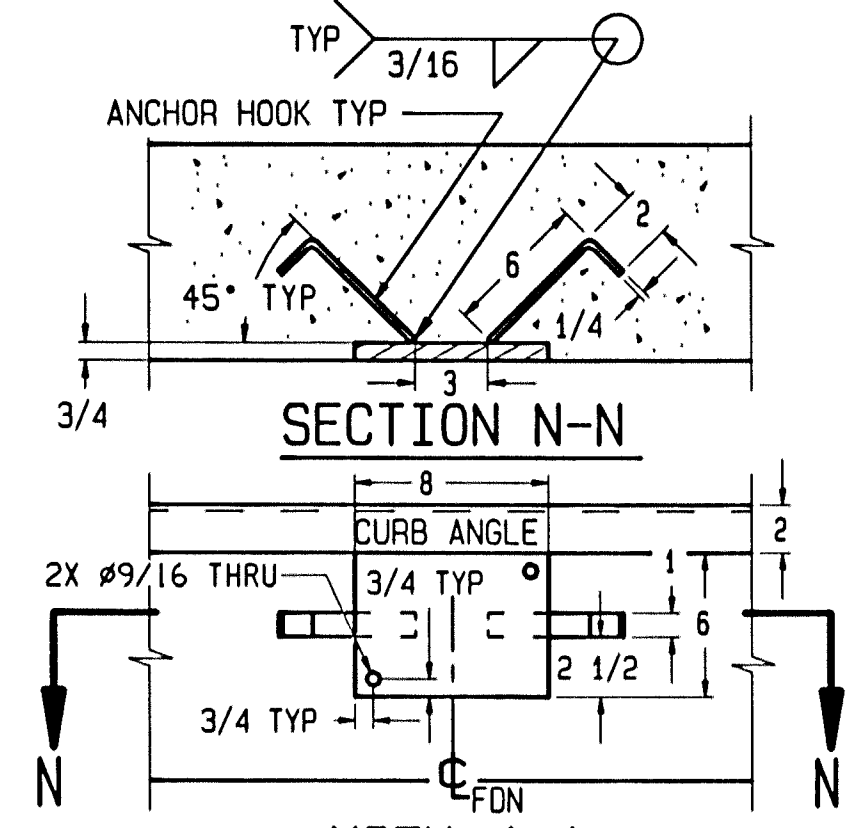
ELEVATION A-A
SCALE 1:50



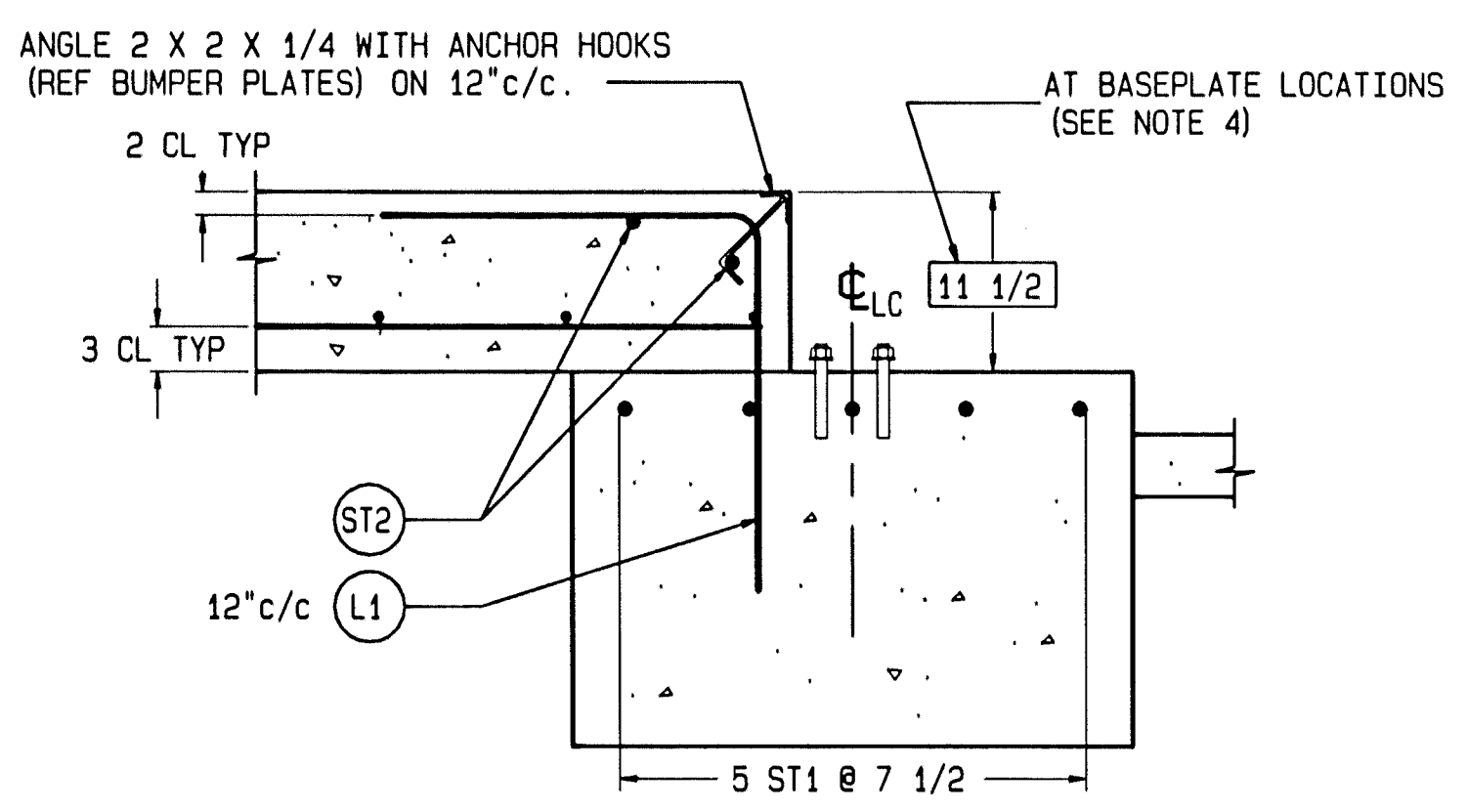
DETAIL "L"
SCALE: 1:8
EXPANSION BOLT LOCATIONS
(OTHER SIDE IS OPPOSITE)



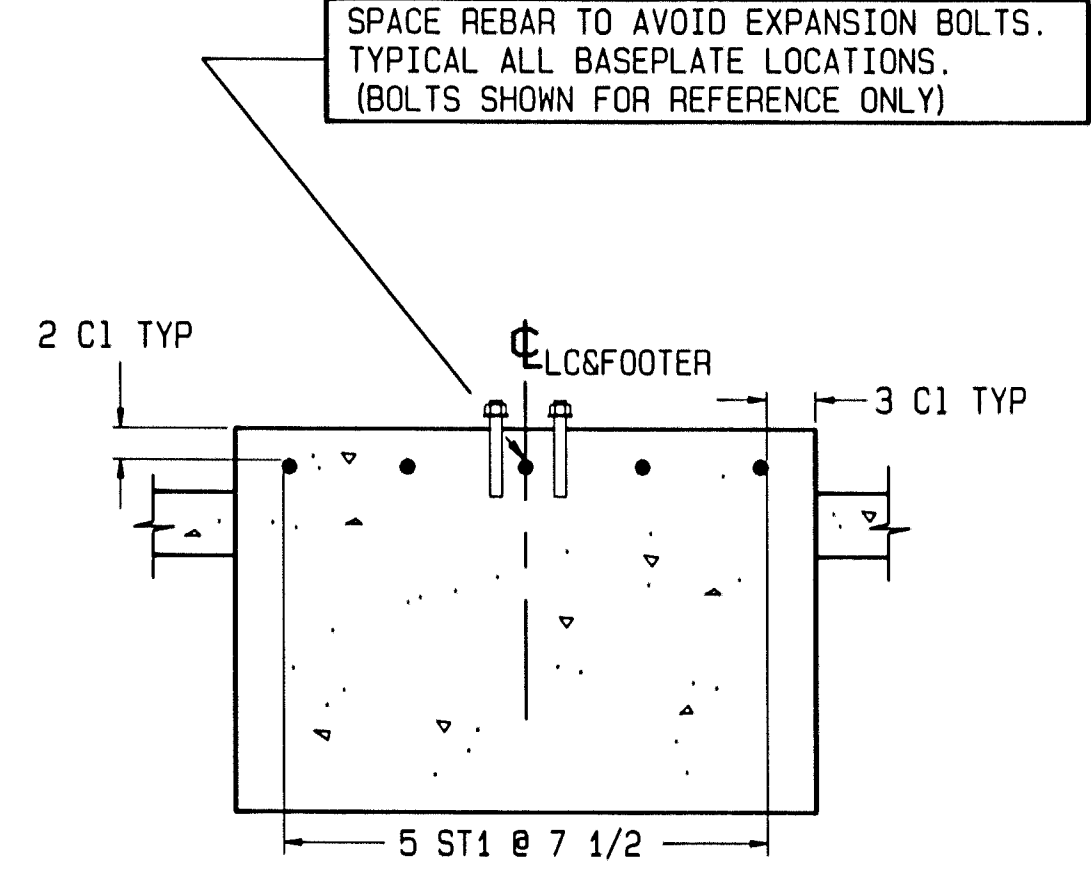
DETAIL "K"
SCALE: 1:8
EXPANSION BOLT LOCATIONS
(OTHER SIDE IS OPPOSITE)



SECTION N-N
VIEW J-J
SCALE: 1:8
BUMPER PLATE ASSY'S: ONE EACH END,
MATERIAL: H.R. STEEL, (BY OTHERS)



SECTION C-C
SCALE 1:12
(TYPICAL END)



SECTION D-D
SCALE 1:12
(TYP SINGLE BASEPLATE FOOTER)

MATERIAL SUMMARY * (INCLUDES FOOTERS & APPROACHES)	FOOTER DEPTH: "X" INCHES (24 INCH MINIMUM)				
	24	36	48	60	72
CONCRETE (CU. YDS.)	24	32	39	47	55
REINFORCING STEEL (LBS)	1111				

* QUANTITIES GIVEN ARE FOR FOUNDATION ONLY. IF CONCRETE PLATFORMS ARE USED, REFER TO GENERAL LAYOUT DRAWING FOR DECK CONCRETE AND REINFORCING STEEL QUANTITIES & SPECS. IF OPTIONAL WASHOUT SLABS ARE USED, ADD: 700 SQ. FT. OF WWF: 6x6_W1.4xW1.4 10 CU. YD. OF CONCRETE.

NOTES:

- 1) USE MINIMUM 3000 PSI STRENGTH CONCRETE AT 28 DAYS WITH 5-7% AIR ENTRAINMENT.
- 2) USE MINIMUM 60KSI YIELD DEFORMED REINFORCING STEEL.
- 3) FOUNDATION REQUIRES 2500 PSF RATED SOIL.
- 4) TOP OF CONCRETE AT BASEPLATE LOCATIONS TO BE LEVEL AND IN ONE PLANE ±1/8"
- 5) DIAGONAL MEASUREMENTS ENDWALL TO ENDWALL MUST BE EQUAL WITHIN 1/2"
- 6) BASEPLATE EXPANSION BOLTS TO BE SUPPLIED BY METTLER TOLEDO. USE BASEPLATES AS TEMPLATES TO LOCATE EXPANSION BOLTS DURING SCALE INSTALLATION.
- 7) RAMP LENGTH: -PER LOCAL REGULATIONS
-1/2" SLOPE PER FOOT TYPICAL
- 8) BOTTOM OF FOOTER MUST BE BELOW LOCAL FROSTLINE. IF LOCAL FROSTLINE IS UNKNOWN, REFER TO DRAWING TA201033 (U.S. WEATHER BUREAU FROST PENETRATION AVERAGES).
- 9) FOOTER HEIGHT "Y" CAN BE VARIED TO SUIT LOCAL CLEARANCE REQUIREMENTS. TOP OF FOOTER AT GRADE LEVEL. I.E. FLUSH WITH WASHOUT SLABS. PROVIDES STANDARD 3" CLEARANCE BETWEEN BOTTOM OF WEIGHBRIDGE AND WASHOUT SLABS.
- 10) OPTIONAL: 6" OF GRAVEL MAY BE USED UNDER APPROACHES TO IMPROVE DRAINAGE.
- 11) CONTRACTOR SUPPLIES:
-EXCAVATION
-REINFORCING STEEL
-CURB ANGLE ASSEMBLIES (SECT C-C)
-CONCRETE AND FORMS
-1 1/2" DIA CONDUIT
-BUMPER PLATE ASSEMBLIES (VIEWS J-J & N-N)

REV	CHANGE	BY	DATE	SCALE	DATE
A	REVISED REBAR SCHEDULE	ALS	7/16/91	.02	2/25/91
B	ADDED REBAR CL AND SP NOTES IN SECT C-C	TDA	2/19/92		
C	UPDATED WITH NEW TITLE BLOCK	ELB	2/9/99		

METTLER TOLEDO

TITLE 7560A/B FOUNDATION: VARIABLE FOOTER 80' X 11'

UNLESS OTHERWISE SPECIFIED, ALL DIMENSIONS ARE IN INCHES, AND DIMENSIONAL TOLERANCES ARE:
FRACTIONAL .XX ±.02
DECIMAL .XXX ±.005
ANGULAR ±.5°

THIS PRINT IS FURNISHED WITH THE UNDERSTANDING THAT THE ESSENCE THEREOF WILL NOT BE REPRODUCED IN WHOLE OR IN PART WITHOUT WRITTEN AUTHORIZATION OF METTLER TOLEDO, INC. ALL DESIGNS ARE THE PROPERTY OF METTLER TOLEDO, INC. AND WILL BE PROTECTED BY PATENTS.

TC201571 REV C