

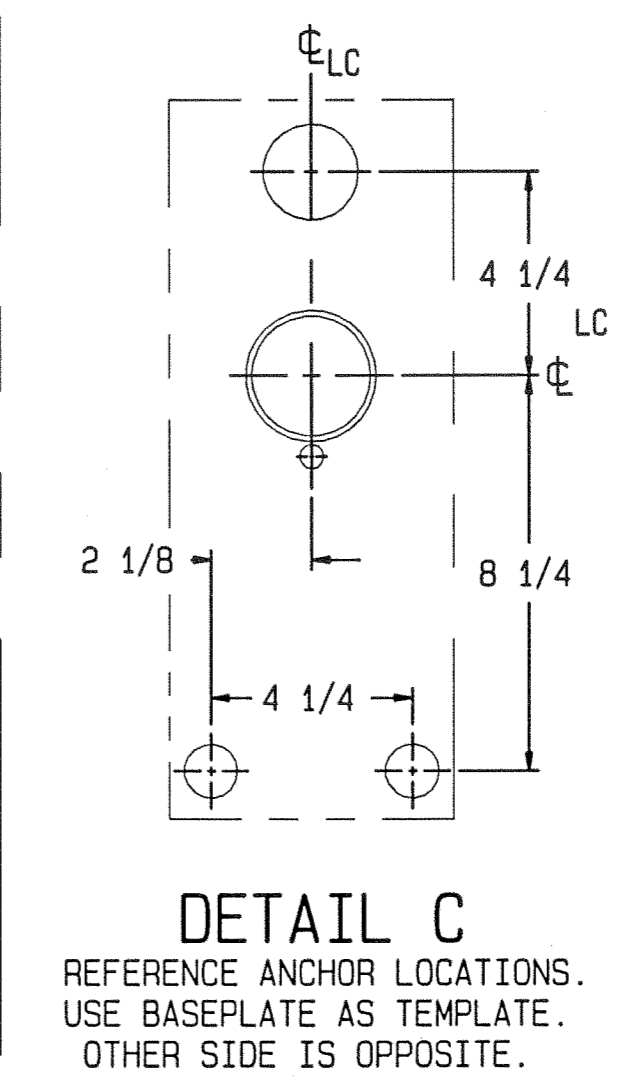
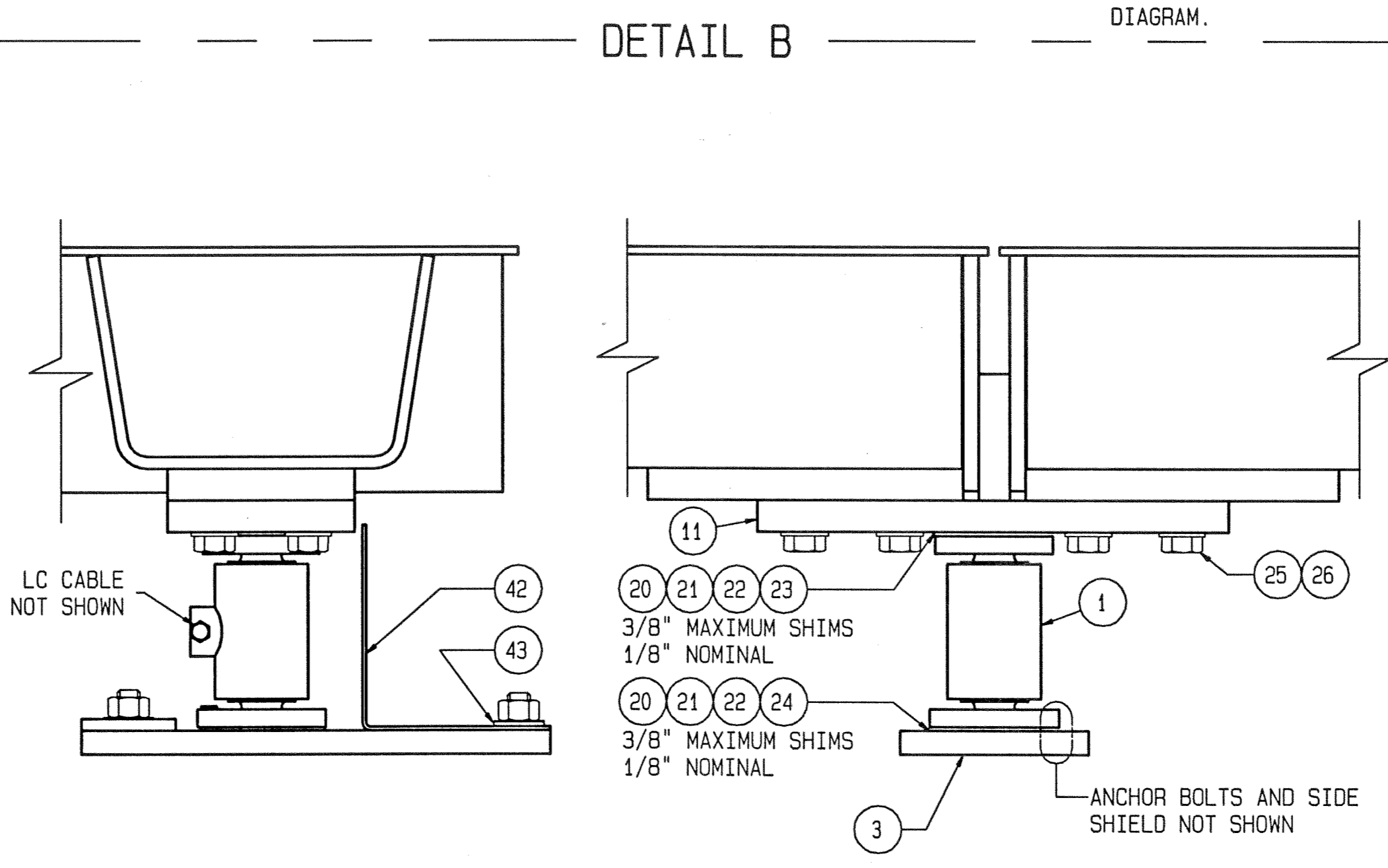
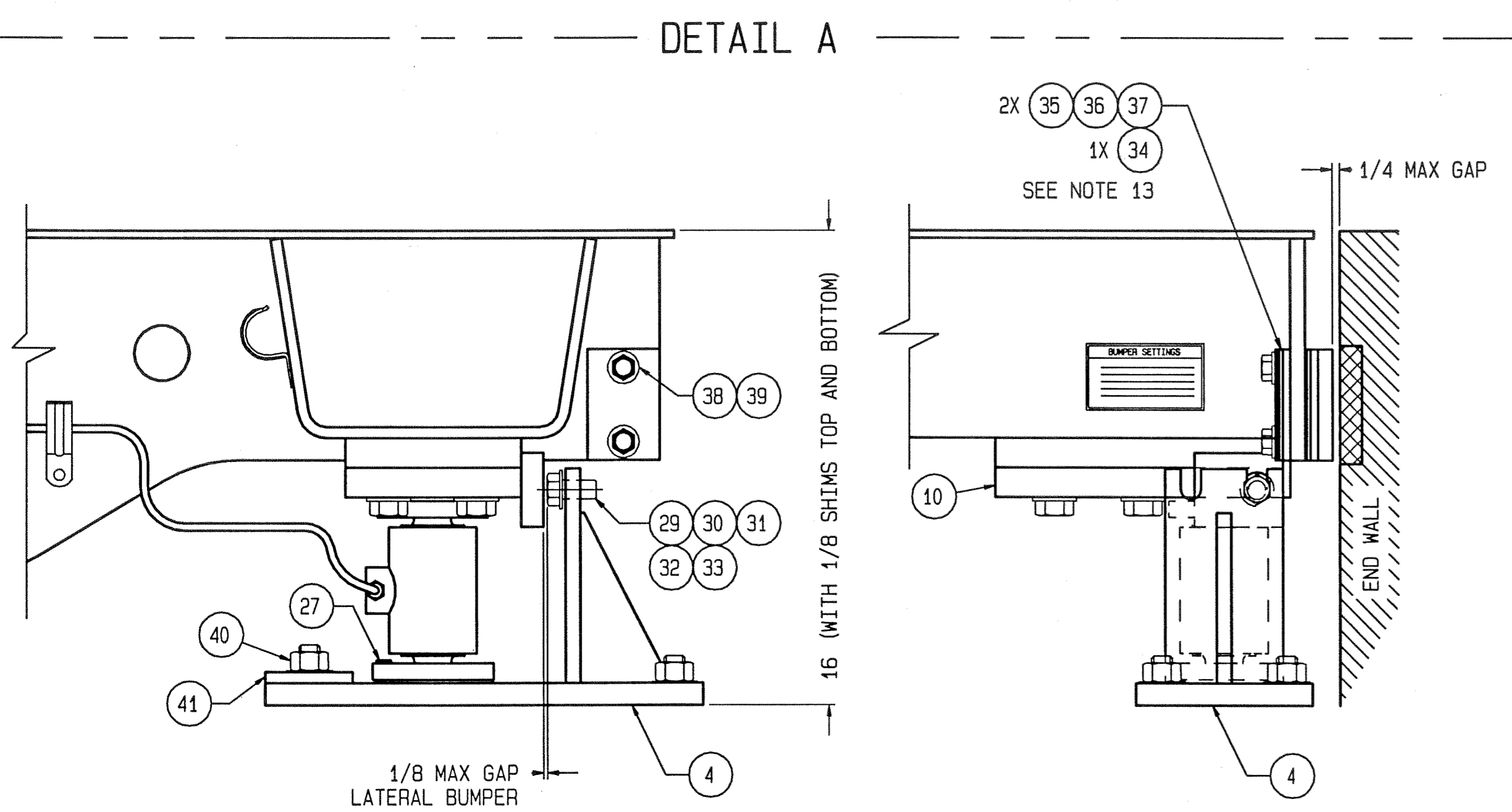
INSTALLATION INSTRUCTIONS

- USE BASEPLATES AS TEMPLATES TO DRILL INSIDE ANCHOR HOLES PER FOUNDATION DRAWING DIMENSIONS, WHICH ARE ALSO SHOWN IN THE TABLE TO THE LEFT OF THESE NOTES. SET BASEPLATES IN PLACE. INSTALL INSIDE ANCHOR WITH CLAMP BAR, TIGHTEN TO SET ANCHOR, AND THEN LOOSEN SO THAT BASEPLATE CAN BE FREELY MOVED. INSTALL ROLL PINS AND BOTTOM HEX RECEIVERS. PLACE LOCATING TOOLS (AVAILABLE FROM METTLER TOLEDO) ON LOWER RECEIVERS.
- INSTALL COUPLER/RECEIVER PLATES, END RECEIVER PLATES, AND TOP RECEIVERS ON FIRST MODULE. FASTENERS SHOULD BE SEATED AND SNUG BUT NOT TIGHTENED.
- SET THE FIRST MODULE ON LOCATING TOOLS AT END OF FOUNDATION.
- INSTALL COUPLER/RECEIVER PLATES AND TOP RECEIVERS ON THE NEXT (MIDDLE) MODULE, OPPOSITE THE END THAT WILL CONNECT TO THE PREVIOUS MODULE.
- PLACE THE MODULE ON LOCATING TOOLS AND THE COUPLER/RECEIVER PLATES OF THE PREVIOUS MODULE. PULL THE MODULES TOGETHER, AND THEN INSTALL BOLTS IN THE COUPLER/RECEIVER PLATES (BUT DO NOT TIGHTEN).
- REPEAT STEPS 4 AND 5 UNTIL ALL MIDDLE MODULES HAVE BEEN PLACED.
- INSTALL END RECEIVER PLATES AND TOP RECEIVERS ON THE TERMINAL MODULE, OPPOSITE OF THE END THAT WILL CONNECT TO THE PREVIOUS MODULE. AGAIN, THE BOLTS SHOULD ONLY BE SNUGGED.
- PLACE THE TERMINAL MODULE ON LOCATING TOOLS AND THE COUPLER/RECEIVER PLATES OF THE PREVIOUS MODULE. PULL THE MODULES TOGETHER, AND THEN INSTALL BOLTS IN THE COUPLER/RECEIVER PLATES (BUT DO NOT TIGHTEN).
- ADJUST THE POSITIONS OF THE BASEPLATES AND MODULES AS NECESSARY TO SEAT THE LOCATING TOOL FLANGES ON THE RECEIVER FLANGES. USE RECEIVER SHIMS IF NECESSARY. CENTER THE SCALE WITHIN THE FOUNDATION.
- AT THIS POINT, COUPLER SHIMS MAY BE USED IF NECESSARY TO FILL ANY GAP BETWEEN THE COUPLER/RECEIVER PLATES AND MODULES.
- INSTALL AND TIGHTEN REMAINING BASEPLATE ANCHORS. APPLY LOCTITE TO COUPLER/RECEIVER PLATE AND END RECEIVER PLATE BOLTS AND TORQUE TO 100 lb-ft.
- GREASE THE BEARING SURFACES AT THE ENDS OF THE LOAD CELLS WITH THE SUPPLIED LUBRICANT. INSTALL LOAD CELLS.
- INSTALL END BUMPER COMPONENTS. ADJUST END BUMPER GAPS AS REQUIRED. WHEN ADJUSTING THE END BUMBERS, ALL SHIMS MUST REMAIN WITH THE ASSEMBLY. RELOCATE SHIMS FROM ONE SIDE OF THE ENDOPLATE TO THE OTHER TO ADJUST THE END GAP. COMPLETE REMOVAL OF ANY SHIMS FROM THE ASSEMBLY WILL RESULT IN DAMAGE TO THE BUMPER ASSEMBLY. NOTE THAT SEASONAL BUMPER ADJUSTMENTS MAY BE REQUIRED.
- LOCATE THE LATERAL BUMPER BOLTS, WASHERS, AND NUTS AND INSTALL. SET THE LATERAL BUMPER GAP AS SHOWN IN DETAIL A. TIGHTEN ALL LATERAL BUMPER FASTENERS.
- LOCATE SIDE SHIELDS. ON ALL MIDDLE BASEPLATES, REMOVE THE NUTS AND WASHERS FROM THE TWO OUTER ANCHORS AND PLACE THE SIDE SHIELDS IN POSITION. NEXT PLACE A 3/4" WASHER (ITEM 43) ON THE ANCHOR AND THEN REINSTALL THE STANDARD WASHER AND NUT. ADJUST SIDE SHIELDS SO THAT THE LOAD CELLS ARE SHIELDED FROM THE ELEMENTS, BUT BE SURE THAT THE SIDE SHIELDS ARE NOT UNDER THE SCALE WHERE THEY MAY COME INTO CONTACT WITH THE SCALE PLATFORM.
- INSTALL JUNCTION BOXES AND ROUTE CABLES PER WIRING DIAGRAM.

MODULE COMBINATIONS					DIMENSIONAL CHART								
SCALE SIZE	FIRST "D" DIM	MIDDLE "E" DIM	MIDDLE "F" DIM	MIDDLE "G" DIM	TERMINAL "H" DIM	"A" FDN LENGTH	"B" OVERALL LENGTH	"C"	"D"	"E"	"F"	"G"	"H"
87.5'	17.5'	17.5'	17.5'	17.5'	17.5'	87'-8 3/4" -0/+1	87'-6 7/8"	87'-0 3/4"	17'-3"	17'-6 1/4"	17'-6 1/4"	17'-6 1/4"	17'-3"
90'	17.5'	17.5'	20'	17.5'	17.5'	90'-2 3/4" -0/+1	90'-0 7/8"	89'-6 3/4"	17'-3"	17'-6 1/4"	20'-1/4"	17'-6 1/4"	17'-3"
95'	17.5'	20'	20'	20'	17.5'	95'-2 3/4" -0/+1	95'-0 7/8"	94'-6 3/4"	17'-3"	20'-1/4"	20'-1/4"	20'-1/4"	17'-3"
100'	20'	20'	20'	20'	20'	100'-2 3/4" -0/+1	100'-0 7/8"	99'-6 3/4"	19'-9"	20'-1/4"	20'-1/4"	20'-1/4"	19'-9"

ITEM	QTY	PART NUMBER	DESCRIPTION
--	5	MZ0602000178	LOCTITE #262 THREADLOCKER
--	3	TN203217	LUBRICANT, LOADCELL-RECEIVER
--	3	TA204861-2	COUPLER SHIM (.062)
--	3	TA204861-1	COUPLER SHIM (.125)
43	16	MZ0901030111	WASHER, 3/4, ZN
42	8	TA204910	SIDE SHIELD, 304SS
41	12	TN201244	CLAMP BAR, FOR BASEPLATE LARGE HOLE
40	36	TN203216	ANCHOR BOLT, 3/4
39	8	MZ0901030114	1/2 WASHER NI
38	8	MZ0901010080	1/2-13 X 2 HHCS NI
37	8	TA204849-4	END BUMPER SHIM (.062)
36	8	TA204849-3	END BUMPER SHIM (.125)
35	8	TA204849-2	END BUMPER SHIM (.25)
34	4	TA204849-1	END BUMPER
33	12	MZ0901030062	WASHER, 5/8x1.31 OD F436
32	4	MZ0901010506	BOLT, 5/8-11x1 3/4 A325
31	4	TA200357-3	SLOTTED SHIM 22 GA (.031)
30	4	TA200357-2	SLOTTED SHIM 16 GA (.062)
29	4	MZ0901020066	NUT, 5/8-11, HEX, ZN
28	--	--	--
27	12	MZ0904000063	ROLL PIN, 1/2x1 1/2 LG
26	80	MZ0901030090	WASHER, 3/4 A325
25	80	MZ0901010534	BOLT, 3/4-10x2 Gr8 ZN
24	12	TA200814	BOTTOM HEX RECEIVER
23	12	TA200764	TOP RECEIVER WITH O-RING
22	12	TA200712-3	RECEIVER SHIM 7 GA (.180)
21	24	TA200712-2	RECEIVER SHIM 16 GA (.062)
20	24	TA200712-1	RECEIVER SHIM 11 GA (.125)

KIT OF PARTS: TC204855-1



IMPORTANT
INTERIOR SURFACE OF ALL LOAD CELL RECEIVERS (BOTH TOP AND BOTTOM) MUST BE GREASED WITH TN203217 DURING CELL INSTALLATION.

ITEM	QTY	PART NUMBER	DESCRIPTION
--	1	TC204855-1	HARDWARE KIT OF PARTS
--	1	TC100673-5	WIRING KIT
--	2	TN204213	TOUCHUP PAINT KIT
11	8	TA204813	COUPLER/RECEIVER PLATE
10	4	TA204812	END RECEIVER PLATE
9	1	***	TERMINAL MODULE
8	1	***	MIDDLE MODULE
7	1	***	MIDDLE MODULE
6	1	***	MIDDLE MODULE
5	1	***	FIRST MODULE
4	4	TB204919	BASEPLATE, END
3	8	TA204814	BASEPLATE, MID
2	1	MN31004	DATA PLATE (NOT SHOWN)
1	12	*12B26800A	LOAD CELL, 0782, ANALOG, 30T

MAJOR BILL OF MATERIAL

* THIS PART NUMBER MAY HAVE A DIFFERENT LETTER PREFIX
*** PART NUMBER DIFFERS BASED UPON MODULE LENGTH

REV	CHANGE	BY	DATE	SCALE	DATE	DRN	MT	APPRO	REV
A	ADDED 9' 10" OPTION & ITEM 5 PART NUMBERS	MOP	04/18/02	.25	11/12/01				
B	REMOVED ITEM 5 PART NUMBERS	MT	10/29/02						
C	REPLACED THICK SLOTTED SHIM WITH WASHERS	MT	01/16/03						
D	MZ0901010506 WAS MZ0901010375	MT	01/21/03						
E	ADDED MANHOLE INFO	CTC	03/29/05						

TITLE 7461, GENERAL LAYOUT AND KOP, 5-MOD, ABOVE-GROUND INSTALLATION

UNLESS OTHERWISE SPECIFIED, ALL DIMENSIONS ARE IN INCHES, AND DIMENSIONAL TOLERANCES ARE:
FRACTIONAL .XX ±.02
DECIMAL .XXX ±.005
ANGULAR ±.5°

METTLER TOLEDO

THIS PRINT IS FURNISHED WITH THE UNDERSTANDING THAT THE ESSENCE THEREOF WILL NOT BE REPRODUCED IN WHOLE OR IN PART WITHOUT WRITTEN AUTHORIZATION OF METTLER-TOLEDO, INC. ALL DESIGNS ARE THE PROPERTY OF METTLER-TOLEDO, INC. AND WILL BE PROTECTED BY PATENTS.

TC204855