

Nederlands Meetinstituut

# EC type-approval certificate

Number **T5627** revision 0  
Project number 10111577  
Page 1 of 5

Issued by NMI Certin B.V.  
Hugo de Grootplein 1  
3314 EG Dordrecht  
The Netherlands

Notified Body Number 0122

In accordance with The Council Directive 90/384/EEC on non-automatic weighing instruments.

Applicant Mettler-Toledo GmbH  
Im Langacher  
8606 Greifensee  
Switzerland

In respect of A class **II** or **III**, electronic **non-automatic weighing**.  
Manufacturer : Mettler-Toledo  
Type : VIPER .....

Characteristics

<b>II</b>	<b>III</b> multi-interval
n ≤ 35100 divisions	n ≤ 10000 divisions (per weighing range)
1.5 kg ≤ Max ≤ 35.1 kg	1.5 kg ≤ Max ≤ 35.1 kg
e ≥ 0.1 g	e ≥ 1 g
e = d or e = 10d	e = d
+10 °C / +30 °C	+5 °C / +35 °C

In the description number T5627 revision 0 further characteristics are described.

Valid until 4 February 2010

Description and documentation The instrument is described in the description number T5627 revision 0 and documented in the documentation folder T5627-1, appertaining to this EC type-approval certificate.

Delft, 4 February 2000  
NMI Certin B.V.

  
Ms. B. van Broekhoven  
Manager Certification Delft

Nederlands Meetinstituut  
Hugo de Grootplein 1  
3314 EG Dordrecht  
Telephone +31 78 6332332  
Telefax +31 78 6332309

NMI B.V. (Chamber of Commerce Haaglanden  
No.27228701)  
Subsidiary companies:  
NMI Certin B.V. (27233418)  
NMI Van Swinden Laboratorium B.V. (27228703)  
NMI International B.V. (27239176)

This document is issued under the provision that NMI. B.V. nor its subsidiary companies accept any liability.

Reproduction of the complete document is allowed. Parts of the document may only be reproduced after written permission



QUALIFIED BY STERLAB  
Reg. nr. L 029

## 1 General information about the non-automatic weighing instrument

All properties of the non-automatic weighing instrument, whether mentioned or not, may not be in conflict with the legislation.

### 1.1 Essential parts

See drawing General overview of the VIPER scales, drawing number ME-21203381A.  
The electronics.  
The mechanical assembly with weighing cell.

EMC protection measures:

- The upper and lower case are made of metal.

### 1.2 Essential characteristics

Power supply:

- 12 V DC (supplied by an external AC/DC-adapter, or battery pack) or;
- 230-240 V AC, 50Hz.

### 1.3 Essential shapes

The non-automatic weighing instrument is built according to drawings:

- Overall view Viper small, drawing number ME-21203378;
- Overall view Viper large, drawing number ME-21203379.

The data plate is secured against removal by sealing or will be destroyed when removed.

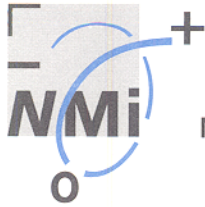
To secure components that may not be dismantled or adjusted by the user, the non-automatic weighing instrument has to be secured in a suitable manner on the locations indicated in drawing:

- "Position of verification- and securing stickers", drawing number ME-21203371.

The securing component has to bear either:

- a mark of the manufacturer laid down in a notified body approved quality system (Annex II of the directive 90/384/EEC), or
- an official mark of a Member State of the EEC, or an other party to the EEA agreement.

Inside the cabinet is a calibration lock, located behind the bottomplate.



## 1.4 Conditional parts

The non-automatic weighing instrument may be equipped with peripheral equipment which is used for the applications listed in article 1(2)(a) of the EC Directive (90/384/EEC), if the peripheral equipment is certified to be connected to an EC type-approved non-automatic weighing instrument by a Notified Body appointed to certify non-automatic weighing instruments according to paragraph I of Annex II of the EC directive on Non-Automatic Weighing Instruments.

A level indicator with a sensitivity of at least 2 mm for a tilt of 2/1000.

## 1.5 Non-essential parts

The non-automatic weighing instrument may be connected to non-essential devices, for example but not limited to bar code readers, foot switches, second display's and cash drawers, provided that:

- They do not present primary data used for purposes mentioned in article 1(2)(a) of the EC Directive (90/384/EEC) unless the "preliminary observations" in Annex 1 of this directive is satisfied.
- They do not lead to an instrument having other essential characteristics than those fixed by this type-approval document.

## 2 Information about the main constituent parts of the non-automatic weighing instrument

### 2.1 The electronics

#### 2.1.1 Essential parts

Description	Drawing number	Rev.	Remarks
Viper Analog Brick Stuecklisten	ME-21203100	B	-- Parts list (3 pages)
Print Viper Dig SW Stuecklisten	ME-21203096	C	-- Parts list (4 pages)
Print Viper Dig BC Stuecklisten	ME-21203098	C	-- Parts list (4 pages)
Zellenprint Stuecklisten	ME-225615	D	-- Parts list (2 pages)
Transducer board 760R Stuecklisten	ME-11103705	B	-- Parts list (2 pages)
Zellenprint Stuecklisten	ME-11102102	B	-- Parts list (2 pages)

#### 2.1.2 Essential characteristics

List of devices:

- changing from kg to lb (only for countries where the use of lb is allowed);
- auxiliary indicating device with differentiated scale interval;
- determination stability of equilibrium;
- semi-automatic zero-setting;
- initial zero-setting;
- zero-tracking;
- semi-automatic subtractive tare weighing;
- gravity compensation (optional);
- span adjustment / set-up mode via a service switch behind the bottomplate;
- weighing unstable samples;
- indications other than primary indications;
- acting upon significant faults;
- display checking.

### 2.1.3 Conditional parts

The interface section is located on the main board and optional on separate interface boards. The non-automatic weighing instrument may be equipped with one or more of the following protective interfaces that have not to be secured:

- RS232C.

### 2.1.4 Non-essential parts

Display;  
 Keyboard.

## 2.2 The mechanical assembly with weighing cell

### 2.2.1 Essential parts

Description	Drawing number	Rev.	Remarks
Force transmission ( 6kg version)	ME-21203374	--	
Force transmission (60 kg version)	ME-21203375	--	

### 2.2.2 Essential characteristics

See for Max capacities the drawings: ME-21203374 and ME-21203375.

## 3 Approval conditions

See chapter 1.3, essential shapes.

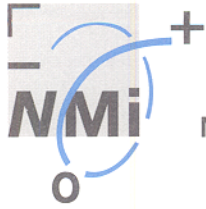
## 4 Seals and verification marks

See chapter 1.3, essential shapes.

## 5 CE-mark of conformity and inscriptions

The marks, facilities for the marks and the inscriptions on the non-automatic weighing instrument fulfil the requirements of article 1 of Annex IV.





Nederlands Meetinstituut

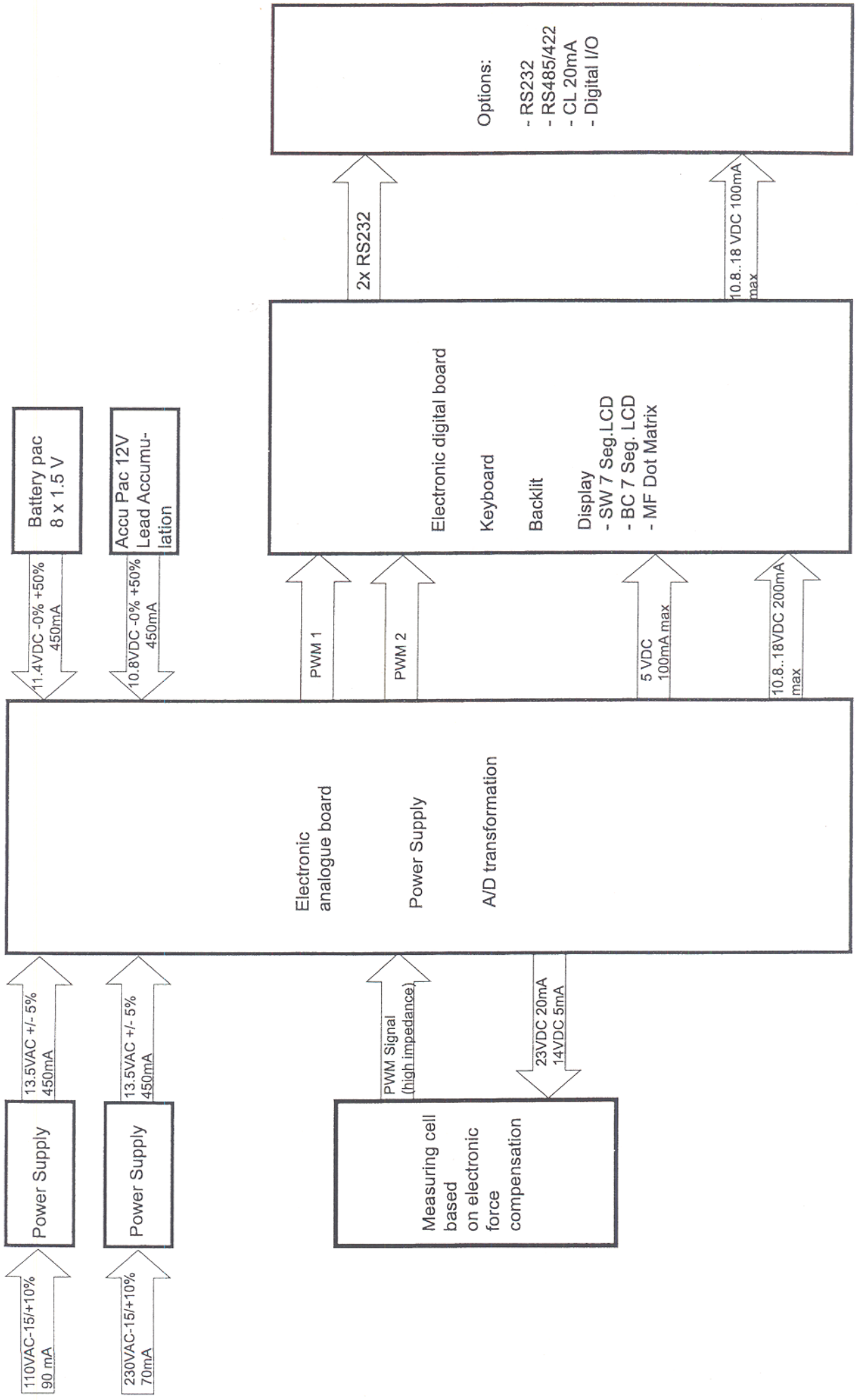
# Documentation folder

Number **T5627-1**  
Project number 10111577  
Page 1 of 1

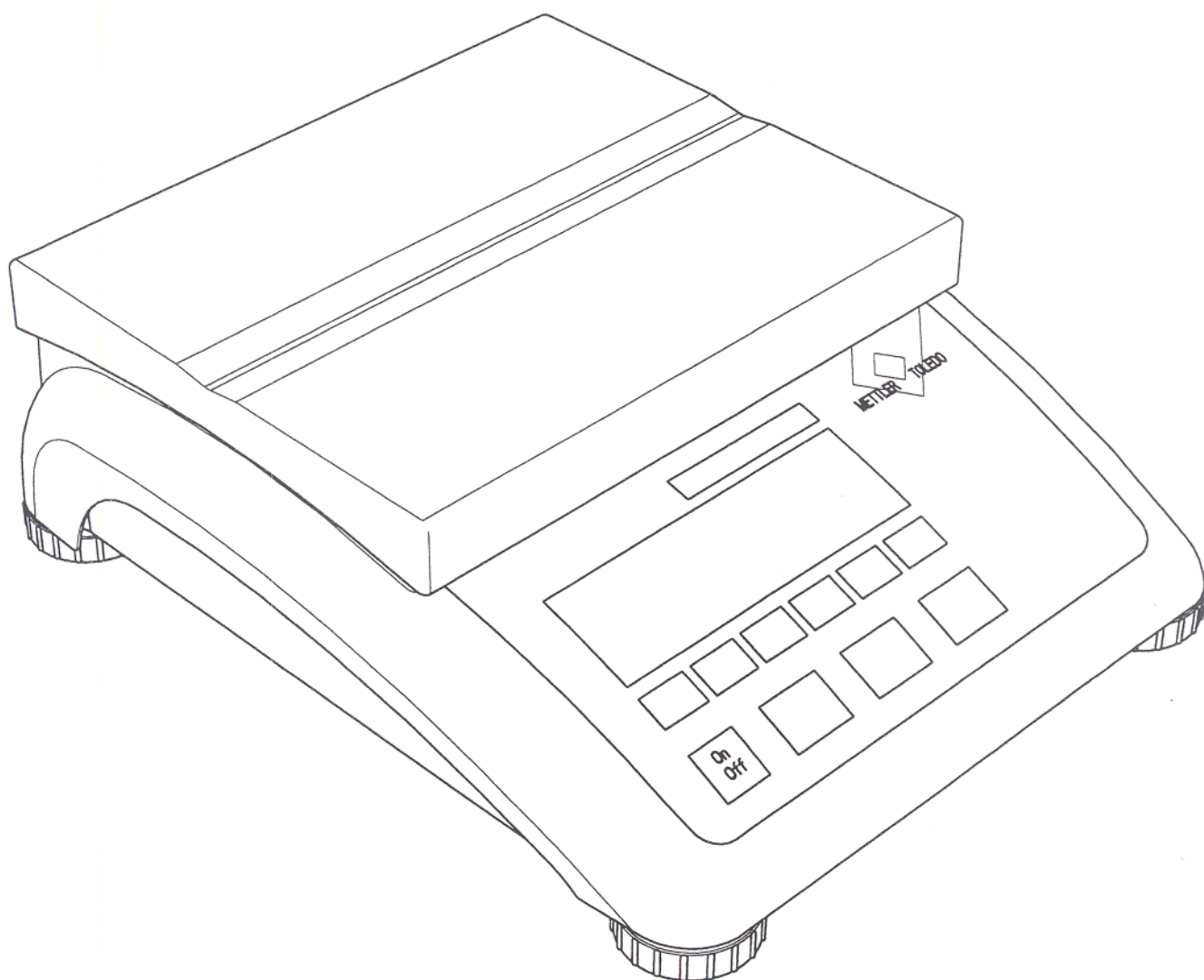
Description	Drawing number	Rev.	Remarks
General overview of the VIPER scales	ME-21203381	A	
Overall view Viper small	ME-21203378	--	
Overall view Viper large	ME-21203379	--	
Position of verification- and securing stickers	ME-21203371	--	
Viper Analog Brick Stuecklisten	ME-21203100	B	-- Parts list 3 pages
Print Viper Dig SW Stuecklisten	ME-21203096	C	-- Parts list 4 pages
Print Viper Dig BC Stuecklisten	ME-21203098	C	-- Parts list 4 pages
Zellenprint Stuecklisten	ME-225615	D	-- Parts list 2 pages
Transducer board 760R Stuecklisten	ME-11103705	B	-- Parts list 2 pages
Zellenprint Stuecklisten	ME-11102102	B	-- Parts list 2 pages
Force transmission ( 6kg version)	ME-21203374	--	
Force transmission (60 kg version)	ME-21203375	--	

# General overview of the VIPER scales with force compensation

ME-21203381A

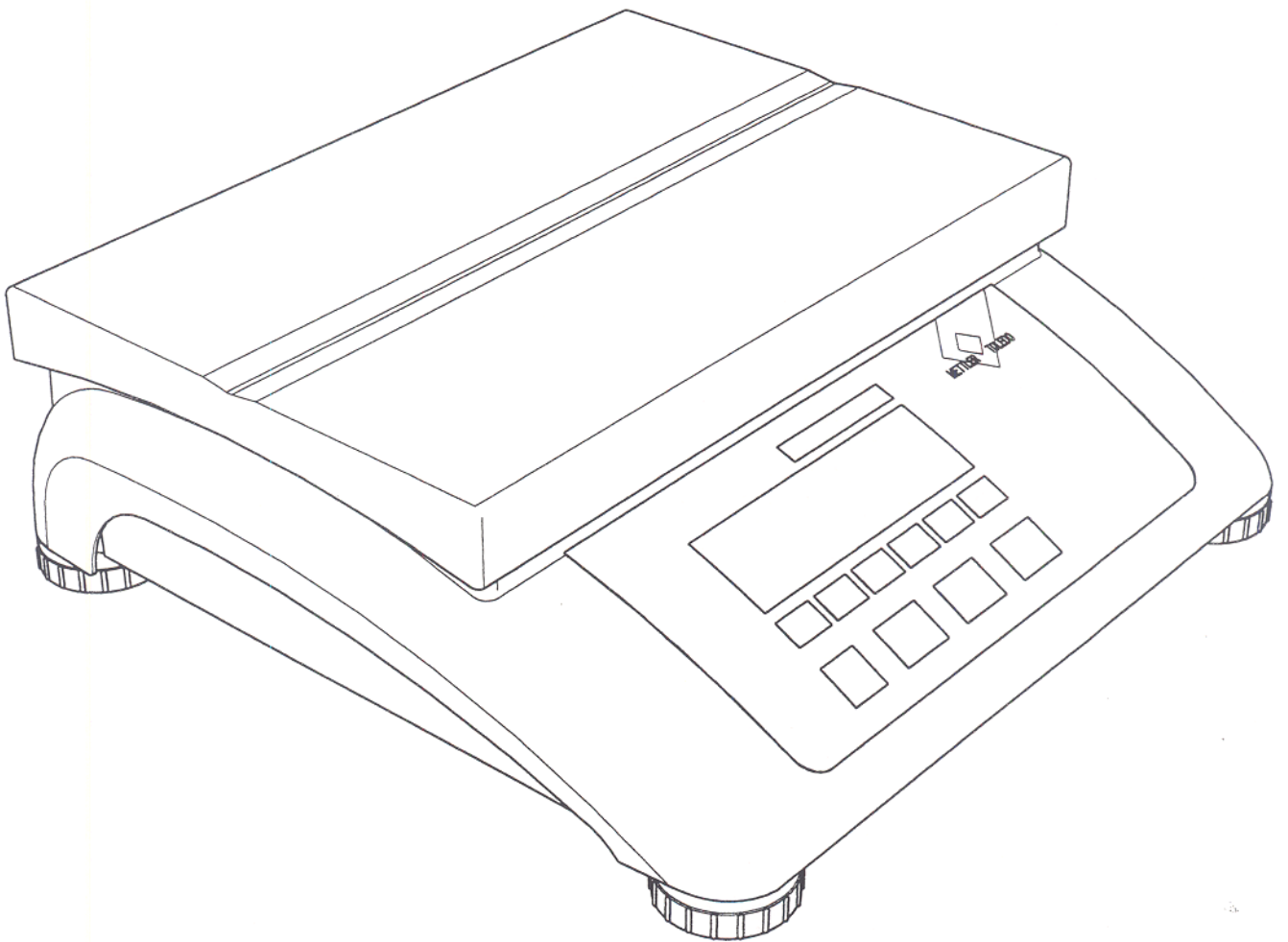


Gesamtansicht Viper klein  
Overall view Viper small  
Vue d'ensemble Viper petit





Gesamtansicht Viper gross  
Overall view Viper large  
Vue d'ensemble Viper grand

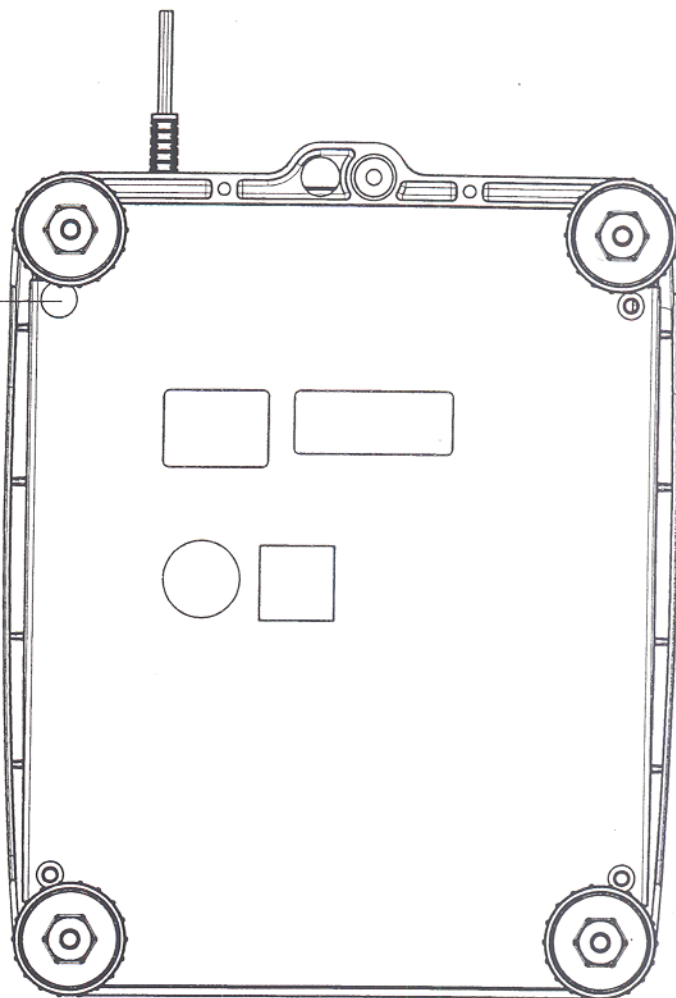


# Standort Eichschilder

Position of verification- and securing stickers

Position de la plaque signalétique et du sceau

Sicherungskleber  
Securing sticker  
Sceau autocollant



Eichschild  
Certification plate  
Plaque signalétique

