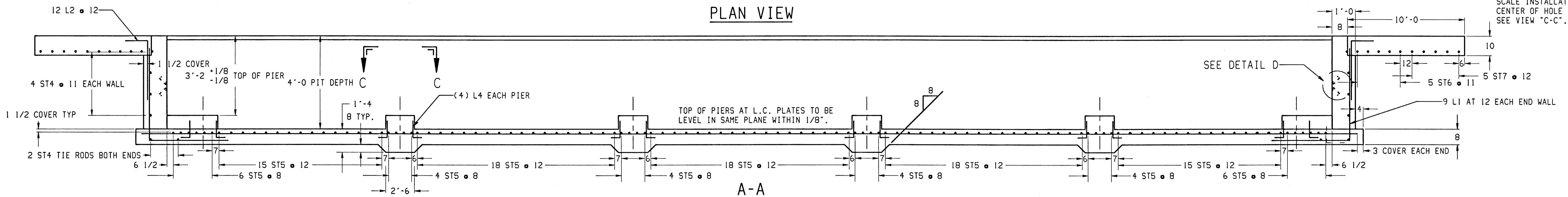
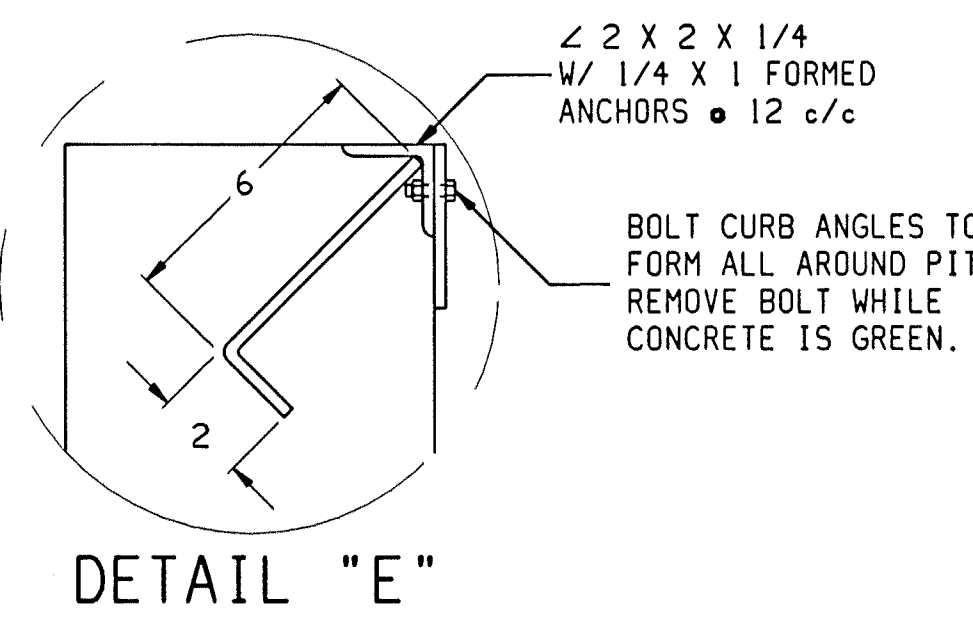


PLAN VIEW

REF: EXPANSION BOLT LOCATIONS. BASEPLATE EXPANSION BOLTS TO BE 3/4" DIA. X 6" LG. (USE BASEPLATES AS TEMPLATES DURING SCALE INSTALLATION. LOCATE AT CENTER OF HOLE IN BASE PLATE.) SEE VIEW "C-C".



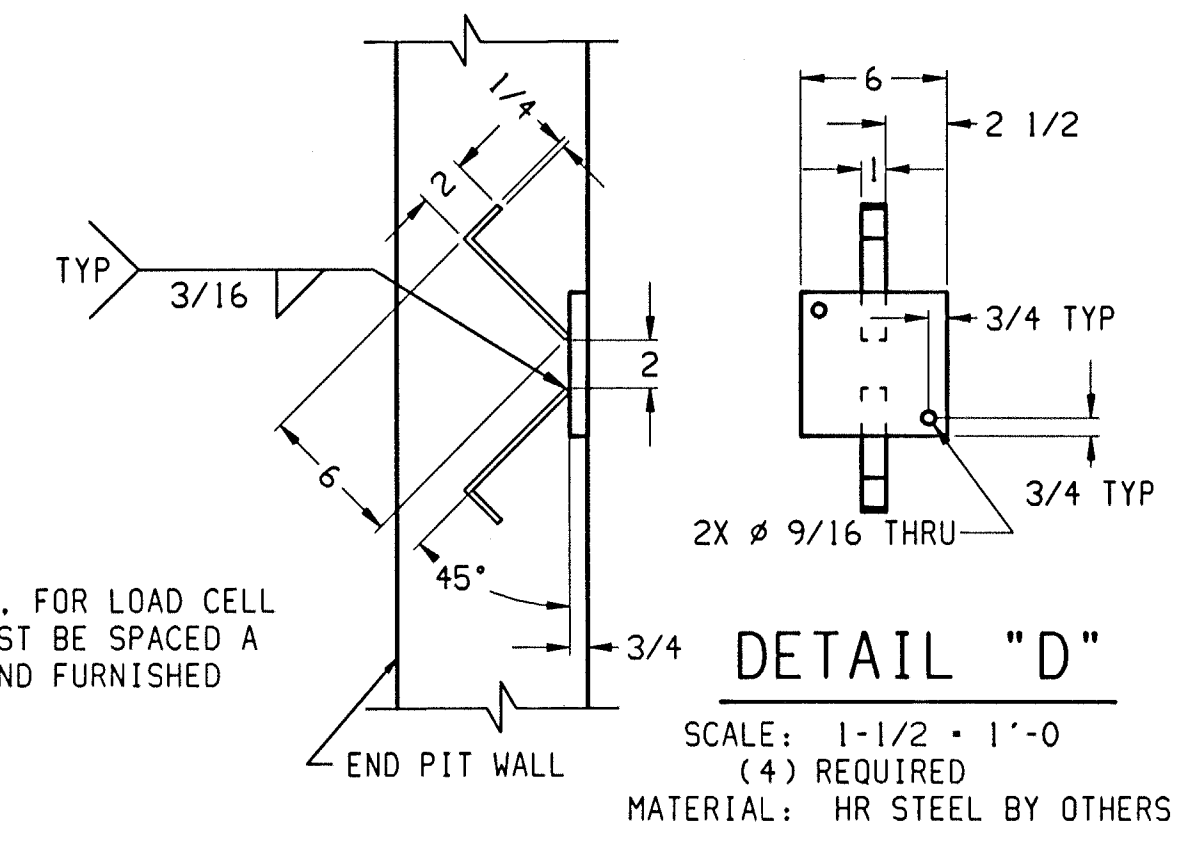
A-A



DETAIL "E"

SUMMARY OF PIT QUANTITIES

REINFORCING STEEL	6250 LBS.
CONCRETE	86 CU.YDS.
FORMS INSIDE	900 SQ.FT.
EXCAVATION	230 CU.YDS.



DETAIL "D"

- GENERAL NOTES
- PIT DEPTH**
DEPTH OF PIT AS GIVEN IS MINIMUM REQUIRED FOR SERVICING. THIS DRAWING CANNOT BE USED IN STATES THAT REQUIRE 4 FEET OF CLEARANCE BETWEEN WEIGHBRIDGE AND PIT FLOOR. OTHERS DRAWINGS TO SUIT THIS CONDITION ARE AVAILABLE.
 - PIT DESIGN SPECIFICATIONS**
THE PIT DESIGN IS BASED ON SUPERIMPOSED SCALE LOADS, NORMAL TRUCK SURCHARGE AND UNIFORM SOIL CONDITIONS HAVING A MINIMUM BEARING PRESSURE OF 1,500 POUNDS PER SQUARE FEET.
 - UNUSUAL CONDITIONS**
FOR UNUSUAL SOIL AND LOADING CONDITIONS, ARCHITECTURAL REQUIREMENTS, OR AN INCREASE IN PIT DEPTH, THIS DESIGN MUST BE ALTERED TO SUIT CONDITIONS. IN ALL CASES THE PIT BOTTOM MUST BE BELOW LOCAL FROSTLINE.
 - DIMENSIONAL TOLERANCES**
ALL INSIDE DIMENSIONS OF PIT AND PIERS TO BE LOCATED TRUE AND ACCURATE TO 1/4 INCH OF DIMENSION GIVEN FROM CENTER-LINE OF PIT. DIMENSIONS TO TOP OF PIERS FROM TOP OF CURBING TO BE HELD WITHIN 1/8 INCH. CURBING MUST BE LEVEL.
 - CONCRETE AND STEEL SPECIFICATIONS**
USE 4,000 PSI STRENGTH CONCRETE AT 28 DAY AGE, IF SUBJECT TO SEVERE WEATHER CONDITIONS. USE AIR ENTRAINING AGENT. ALL REINFORCING STEEL TO BE DEFORMED BARS, ASTM A-615 GRADE 60. ALL CONCRETE AND REINFORCING TO BE PLACED ACCORDING TO BEST PRACTICE AS DESCRIBED BY THE LATEST AMERICAN CONCRETE INSTITUTE CODE.
 - GENERAL INFORMATION**
EXCAVATION, FOUNDATION FORMS, REINFORCING STEEL, EMBEDDED ITEMS, AND CONCRETE TO BE FURNISHED BY OTHERS. ADDITIONAL CONCRETE AND REINFORCING STEEL WILL BE REQUIRED BY OTHERS FOR THE WEIGHBRIDGE DECK.
 - APPROACHES**
APPROACH AT EACH END OF SCALE MUST BE STRAIGHT AND IN THE SAME PLANE AS PLATFORM, AND IF PRACTICABLE BE 40 FEET MINIMUM LENGTH OR COMPLY WITH STATE WEIGHTS AND MEASURES REGULATIONS. SEE 093409 APPROACH DRAWING.

REINFORCING STEEL SCHEDULE (A.S.T.M. A-615 GRADE 60)

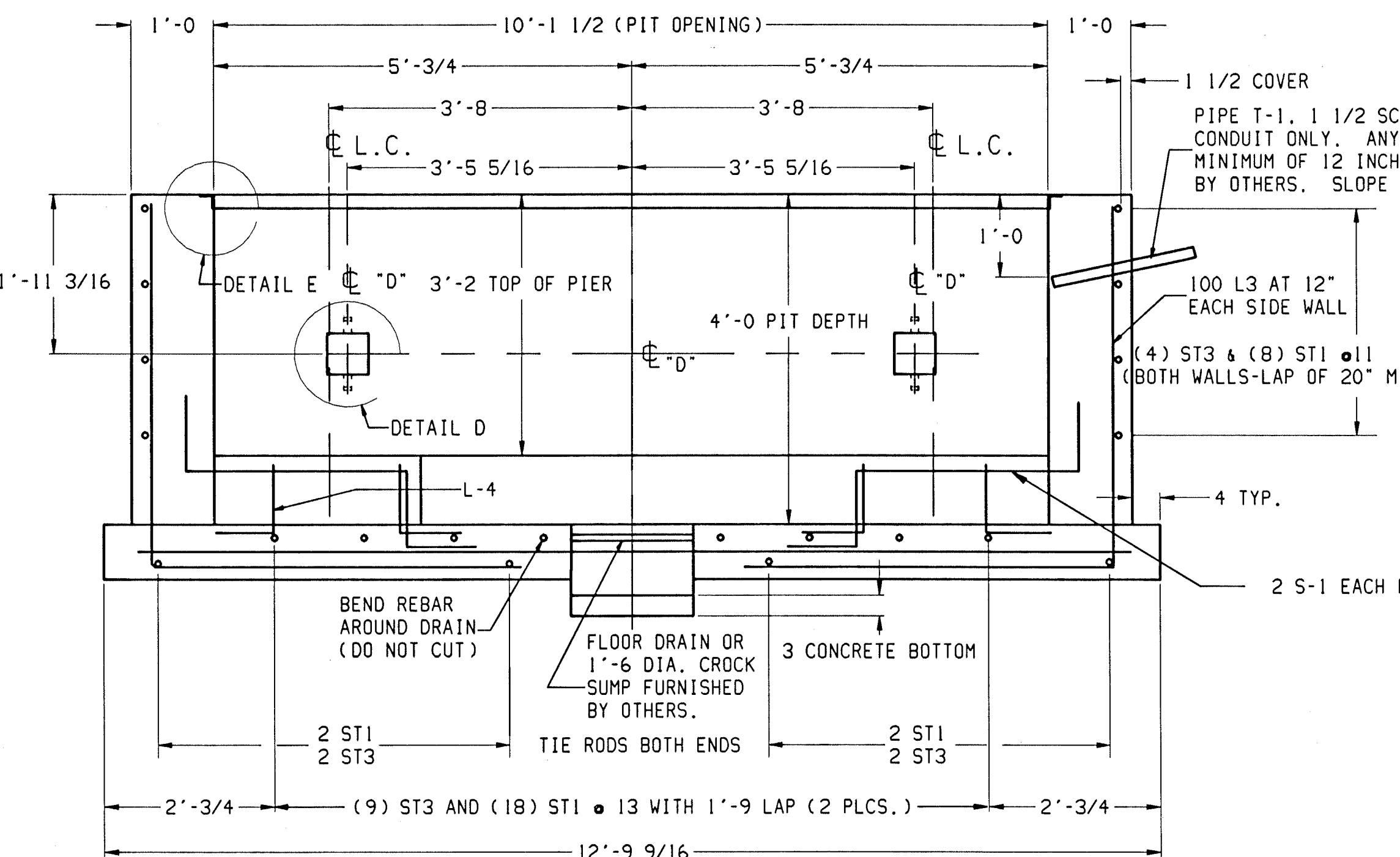
ITEM	QTY	DESCRIPTION	SIZE	A	B	TOTAL	WGT
ST1	26	STRAIGHT FLOOR	#4			33'-0"	573
	16	STRAIGHT WALL	#4				352
ST2	28	STRAIGHT APPROACH	#5			9'-6"	278
ST3	13	STRAIGHT FLOOR	#4			40'-0"	347
	8	STRAIGHT WALL	#4				214
ST4	4	STRAIGHT FLOOR	#5			11'-0"	46
	8	STRAIGHT WALL	#5				92
ST5	112	STRAIGHT FLOOR	#6			11'-6"	1935
ST6	10	STRAIGHT APPROACH	#5			11'-0"	115
ST7	10	STRAIGHT APPROACH	#5			13'-0"	136

COLD FORM BARS TO INSIDE DIMENSIONS

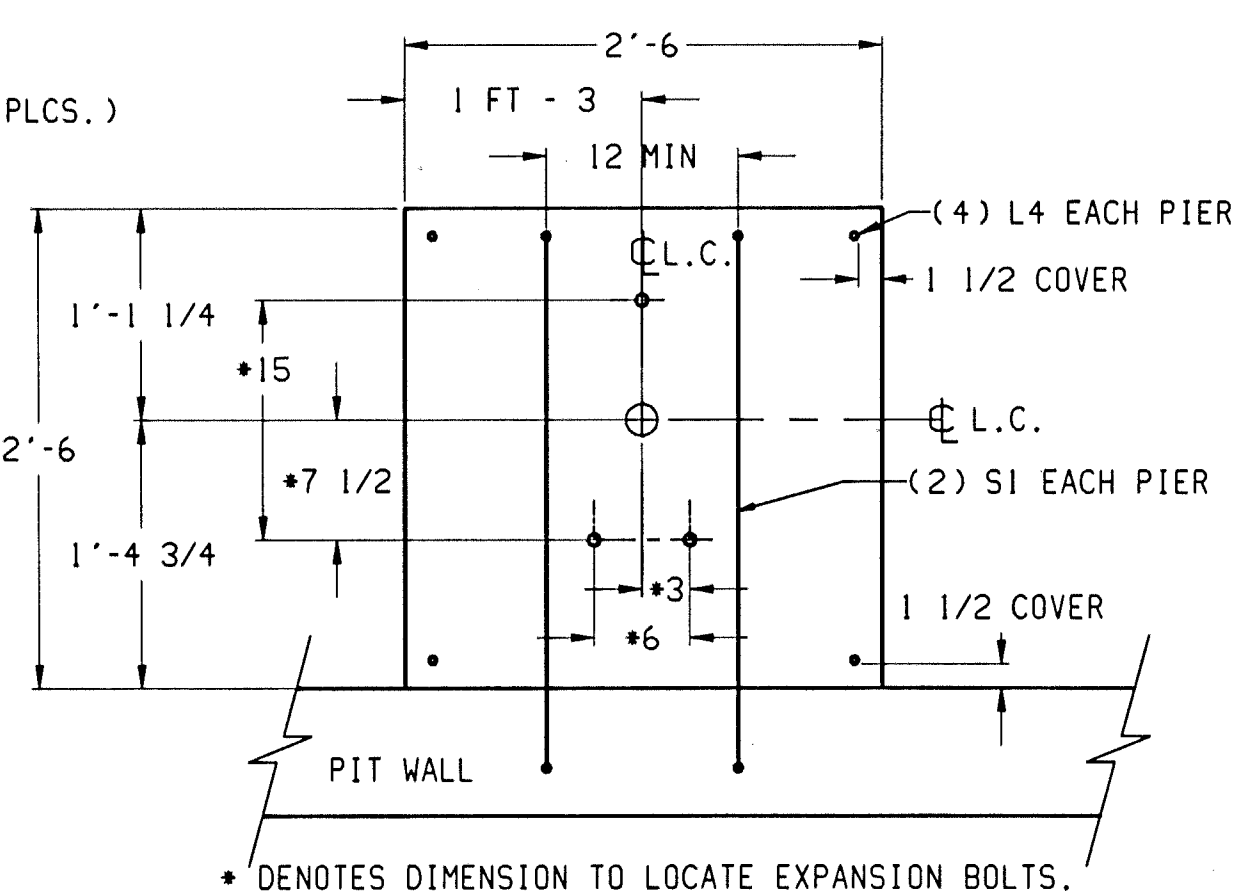
	A	B		
L1	18	BENT FLOOR	#4	4'-3" 8'-0" 12'-3" 147
L2	40	BENT WALL	#4	2'-0" 2'-0" 4'-0" 107
L3	200	BENT FLOOR	#5	4'-3" 4'-3" 8'-6" 1774
L4	48	BENT FLOOR	#4	0'-9" 0'-9" 1'-6" 48

COLD FORM BARS TO INSIDE DIMENSIONS

	A	B		
S1	24	BENT FLOOR	#4	0'-10" 2'-10" 5'-4" 86



SECTION "B-B"



VIEW "C-C"

SCALE: 1 - 1'

MARK	REVISION	BY	DATE

TOLEDO METTLER - TOLEDO, INC.
HEAVY CAPACITY PRODUCTS

SCALE: 1/50 TOLERANCE UNLESS OTHERWISE NOTED
 FRACT 1/32 DECIMAL .XX #.020
 DATE: 3/2/92
 TITLE: 7541 PIT FOUNDATION 100'X10' TANDEM AXLE 45K

DRAWN BY: RMR
 APPROVED BY: [Signature]
 DRAWING NUMBER: TC201957