

VCC (5 VDC) on Communication Port: Basic, Count, Count+, Smart+

The 4-Series scales and terminals can provide a Vcc of 5 VDC power connection on communication ports Com1 and Com2.

The Vcc, “Voltage Controlled Current source”, is the operating supply voltage for a circuit. In our case, Vcc is the operating voltage of the communication circuit in the 4-Series.

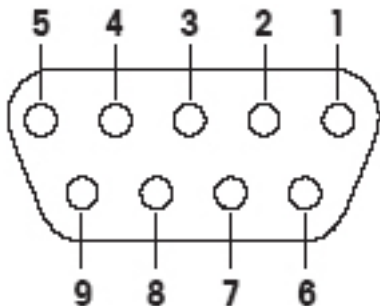
When would you want to use this Vcc? If you have a peripheral device attached like a bar code scanner or remote display that operates on 5 volts dc. Provided the peripheral requires 200 mA or less, it can be powered by the 4-Series scale or terminal, eliminating the need for an additional power supply for the peripheral.

The maximum current allowed is 200 mA per communication port and a system total of 400 mA per 4-Series scale or terminal.

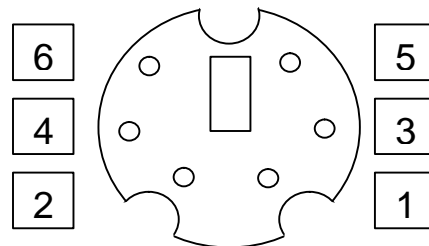
Which type of communication ports have the Vcc available?

- RS232
- RS422
- RS485
- PS2 (Vcc is fixed on the PS2 port, not selectable)

Diagrams.



Outside view of RS232 / RS422 / RS485 female connector. Selectable Vcc on pin 9, ground on pin 5.



Outside view of PS2 female connector. Vcc fixed on pin 4

- If COM2 has an option installed, other than RS232, the Vcc will always be ON as it is required for the option board.
- COM3, available only with Smart+, does not have Vcc.

Setup of the Vcc power – with Count+ example.
COMMUNI / COM1 / PARAMET / Vcc / ON or OFF

End of demo.