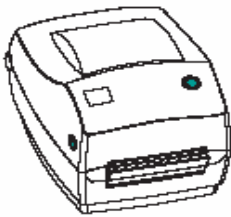


Printing Multiple Labels: Smart+

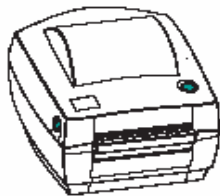
With the 4-Series Smart+ we have the feature of printing multiples of the same label, for when you want two or more identical labels.

This feature is very simple to use and requires no special setup.

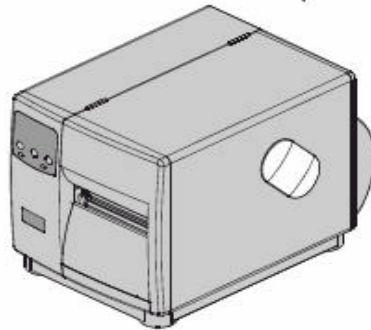
TLP2844



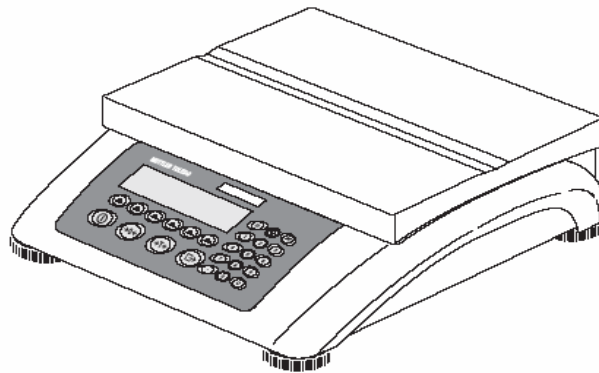
LP2844



8867



LP2824



8863

Series 4- Smart+

Smart+ prints multiple labels:

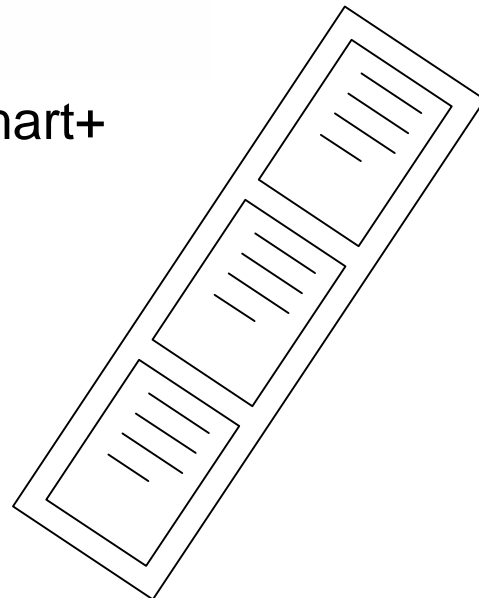
MT 8863

MT 8867

Zebra LP2824

Zebra LP 2844

Zebra TLP 2844



Operation for printing multiple labels.

Use the numeric keypad and key in the number of labels you want, between 1 and 100. Then touch the PRINT key, that's it!

Setup: no setup required for multiple printing.

IMPORTANT Note: The command to print multiple labels is transmitted along with the label data, the Smart+ does not send the label repeatedly. Therefore you must select the appropriate label format in the Smart+, you can not select ASCII printer or any printer other than those listed in this demo. **The multiple label feature will not work in cases where the label template is resident in the printer**, such as the 8863 in "MT" mode, in this case the printer would try to print the multiple label command instead of executing it.

End of demo.