

Your Best Weighing Solution to increase Productivity

Product Features and Specifications

DISPLAY

- Dual Reversed LCD display
- 5 digit weight display
- 5 digit tare display
- 6 digit Unit Pricing
- 24 characters Dot-matrix display
- Adjustable contrast levels

MEMORY

- Up to 7000 PLUs
- 100 article groups
- 10 advertisement
- 9 discount keys
- 8 preset barcodes
- 8 tax rates
- 16 tare weight

PRINTER

- Full stainless steel mechanism printer
- Ticket/Label Printing
- Speed: 85mm/sec
- Programmable EAN13/ITF125/Code 39 barcodes
- Long printhead lifespan
- Easy to load labels and clean printhead

CAPABILITY

- Prepack modes
- Vendor selection
- Special offer and discount pricing
- Void and cancel
- Upgradeable Flash memory for easy updating of software

LABEL

- Width: 40~62mm
- Length: 25~102mm
- Max outside diameter: 120mm
- inside diameter: 11mm/40m
- 8 pre-programmed label formats
- 3self-programable label formats
- Printable content: Price, Total price Weight, Barcode, Product name, packing date, sell by date, shop name, discount price, advertisement, special text, article no, PLU number, label number, etc.

KEYBOARD

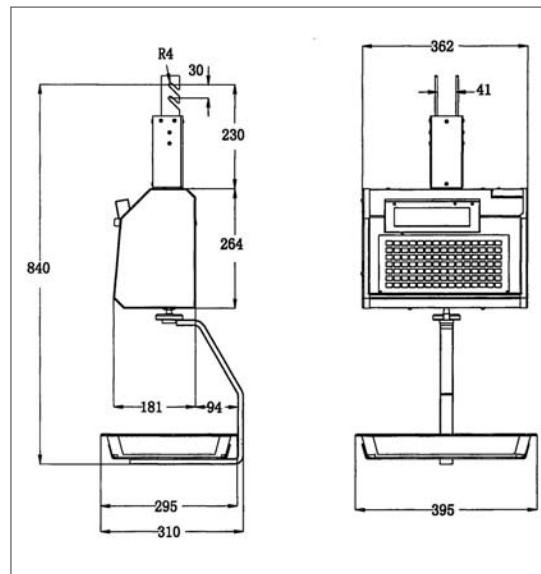
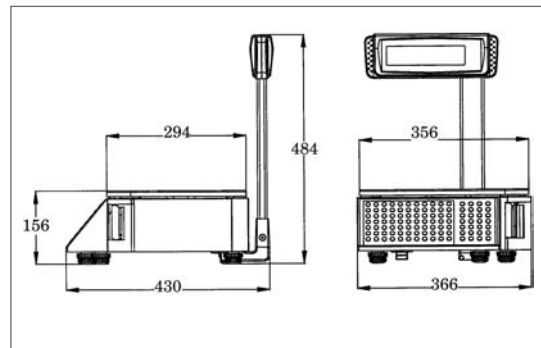
- 28 function keys
- 154 Preset keys(two-step)
- 4 Vendor keys
- 1 discount key

REPORTS

- Single article report
- Vendor report
- Article group report
- Time report
- Price change report
- Single scale total report

INTERFACES

- RS232 serial port
- Cashdrawer interface
- Standard Ethernet interface(TCP/IP)
- Wireless RF IEEE802.11b(Optional)



Reliable Performance

Powerful Features

Comprehensive Coverage

8442 Integrated Scale/Printer Dot-matrix and Hanging Series

Quality Certificate
Development, production, testing of this product according to the ISO9001/NO. 0197A015 & the ISO14001/NO.06-2000-052

Models	Description	Resolution	Min Cap
8442-3610	6/15 kg Dual Range, Counter	2/5 g	40 g
8442-4610	15/30 kg Dual Range, Counter	5/10 g	100 g
8442-3610H	6/15 kg Dual Range, Hanging	2/5 g	40 g
8442-4610H	15/30 kg Dual Range, Hanging	5/10 g	100 g

METTLER TOLEDO

Mettler-Toledo, Inc.

USA & Canada

1900 Polaris Parkway Columbus, Ohio 43240

Tel: (800) 786-0038

Fax: (614) 438-4783

<http://www.mt.com>

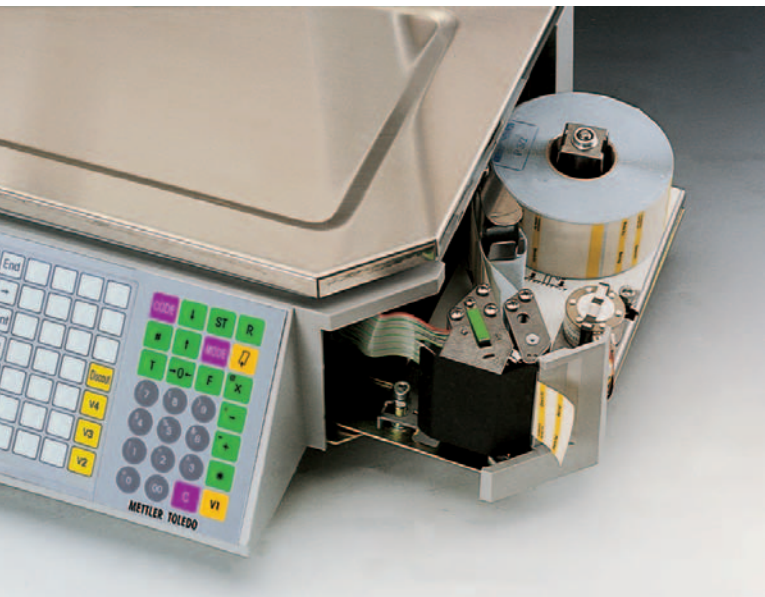
Authorised Distributor:

METTLER TOLEDO

The New 8442 Series Economical, User-friendly, Reliable

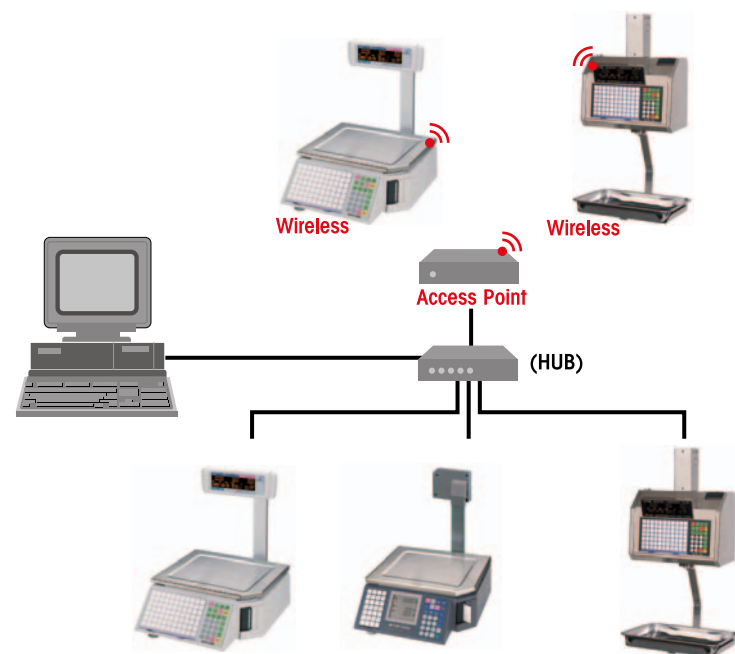
● Drawer Access to Printer

Unique drawer access to printer increase efficiency and reduces operator downtime during paper change



The 8442 is packed with a performance that far exceeds its cost, you could be sure to keep costs to a minimum. Designed for the modern supermarkets, deli outlets and other food retailers, it is loaded with applications ranging from sales counters to packaging rooms.

With in-built prepack functionality, the 8442 is also suited for usage within distribution centers.

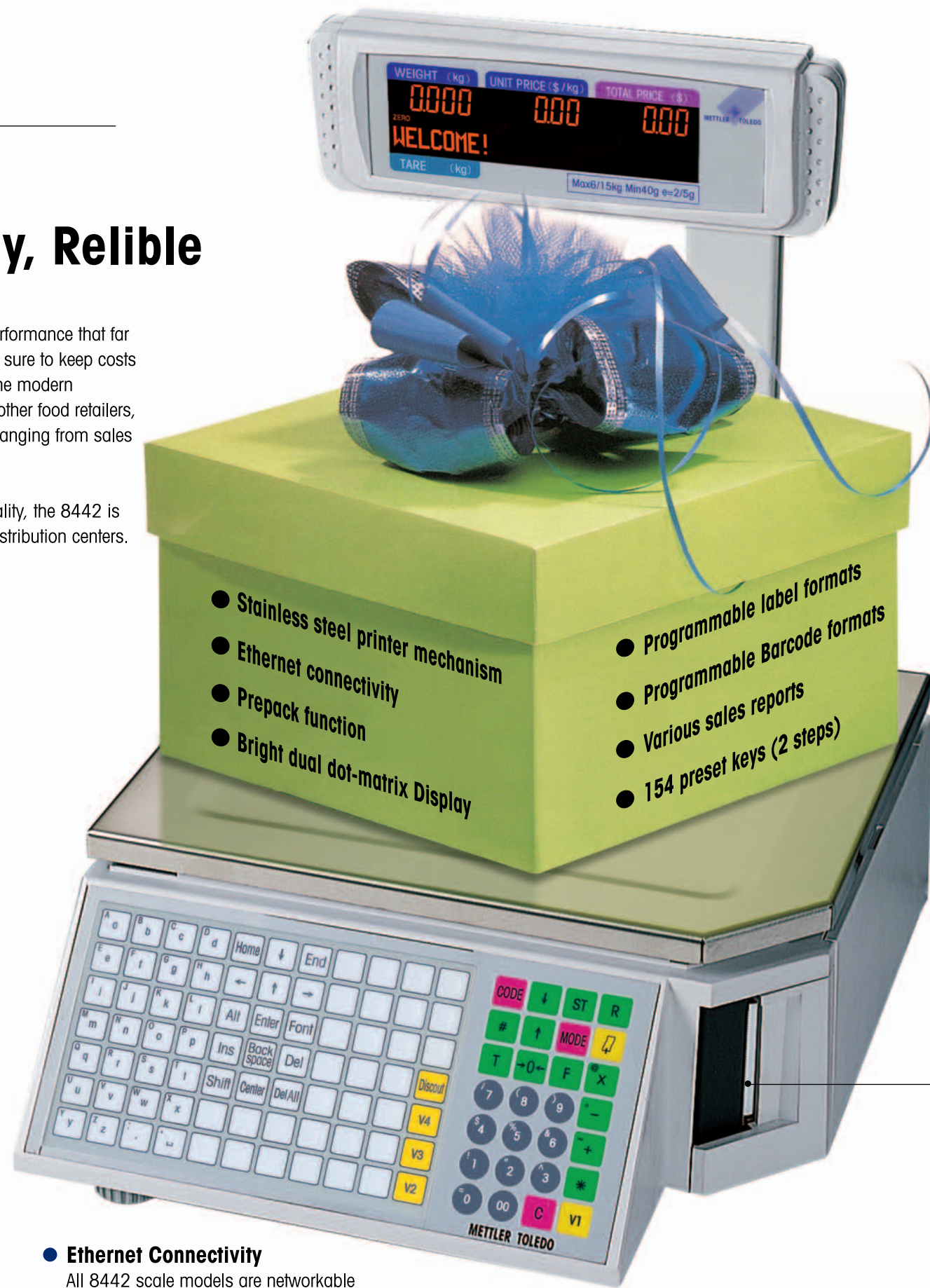


● Ethernet Connectivity

All 8442 scale models are networkable within your existing TCP/IP network. Using the user-friendly SPCT software, retailers could now manage their fresh products data easily. This again translates to improved efficiencies. Pricing errors could be minimised and giving you better returns.

● 8442 Hanging Version

- Easy-to-clean fully stainless steel casing
- Stainless steel printer mechanism
- Dual dot-matrix display
- Suited for seafood sales or wet environment usage



● Dual Dot-matrix LCD Display

Bright LCD display with adjustable contrast allows you and your customers clear and attractive readings at all times. The large dot matrix display segment allows for additional advertising messages to boost sales levels.



● Open Label Formats

Convenient and easy to use label design software allows you to design and format your own labels easily.

