

English User Manual **PHD779** Low-Profile Weighing Platforms
Svenska Användarmanual **PHD779** Lågprofilsvägningsplattformar
Dansk Brugervejledning **PHD779** Lavprofilvejeplatforme
Norsk Brukermanual **PHD779** Lavprofil-veieplattformer



METTLER TOLEDO

User Manual **PHD779**

English

Användarmanual **PHD779**

Svenska

Brugervejledning **PHD779**

Dansk

Brukermanual **PHD779**

Norsk

Table of Contents

1	Safety instructions	4
1.1	Intended use.....	4
1.2	Misuse.....	4
1.3	General safety precautions	4
1.4	Safety precautions for operation in hazardous areas.....	4
2	Introduction	5
2.1	PHD779 Low-profile weighing platforms.....	5
2.2	About this user manual.....	5
2.3	Further documents.....	5
3	Operation	6
3.1	Checking the location	6
3.2	Function check.....	6
3.3	Checking ramps.....	6
3.4	Operating PHD779 Mobile	7
3.4.1	Establishing the moving mode	8
3.4.2	Establishing the weighing mode	8
3.5	Operating PHD779 Lift.....	9
3.6	Important notes.....	10
3.7	Installation, service and repair	10
4	Maintenance	11
4.1	Regular check.....	11
4.1.1	PHD779 Static / PHD779 Lift	11
4.1.2	PHD779 Mobile.....	11
4.2	Notes on cleaning	12
4.3	Subsequent treatment	13
4.4	Disposal	13
5	Technical data and operating limits	14
5.1	Maximum verification scale interval.....	14
5.2	Maximum permissible load	14
5.3	Ambient conditions.....	14
5.4	Specifications for Category 3	14

METTLER TOLEDO Service

Congratulations on choosing the quality and precision of METTLER TOLEDO. Proper use of your new equipment according to this Manual and regular calibration and maintenance by our factory-trained service team ensures dependable and accurate operation, protecting your investment. Contact us about a service agreement tailored to your needs and budget. Further information is available at ► www.mt.com/service.

There are several important ways to ensure you maximize the performance of your investment:

- 1 **Register your product:** We invite you to register your product at www.mt.com/productregistration so we can contact you about enhancements, updates and important notifications concerning your product.
- 2 **Contact METTLER TOLEDO for service:** The value of a measurement is proportional to its accuracy – an out of specification scale can diminish quality, reduce profits and increase liability. Timely service from METTLER TOLEDO will ensure accuracy and optimize uptime and equipment life.
 - ➔ **Installation, Configuration, Integration and Training:** Our service representatives are factory-trained weighing equipment experts. We make certain that your weighing equipment is ready for production in a cost effective and timely fashion and that personnel are trained for success.
 - ➔ **Initial Calibration Documentation:** The installation environment and application requirements are unique for every industrial scale so performance must be tested and certified. Our calibration services and certificates document accuracy to ensure production quality and provide a quality system record of performance.
 - ➔ **Periodic Calibration Maintenance:** A Calibration Service Agreement provides on-going confidence in your weighing process and documentation of compliance with requirements. We offer a variety of service plans that are scheduled to meet your needs and designed to fit your budget.

1 Safety instructions

1.1 Intended use

PHD779 Low-profile weighing platforms are part of a modular weighing system consisting of a METTLER TOLEDO weighing indicator and at least one weighing platform.

- Use the weighing platform only for weighing in accordance with this user manual.
- The weighing platform is intended for indoor use only.
- Any other type of use is considered as not intended.

Legal metrology

- For use in legal metrology only use approved weighing platforms.
- When using the weighing platform in legal metrology, the operating company is responsible for observing all the national weights and measures requirements.
- Please contact the METTLER TOLEDO service organization for questions related to the use in legal for trade applications.

1.2 Misuse

- Do not use the weighing platform other than for weighing operations.
- Do not modify the weighing platform.
- Do not use the weighing platform beyond the limits of technical specifications.
- Do not use the weighing platform for storing goods.
- Avoid dropping goods on the weighing platform.
- Do not use the weighing platform in any other environment or category than specified in section [Technical data and operating limits ▶ Page 14].

1.3 General safety precautions

- Use only genuine METTLER TOLEDO accessories and cable assemblies with this product. Use of unauthorized or counterfeit accessories or cable assemblies may result in voided warranty, improper or erroneous operation, damage to property (including the unit) or personal injury.

1.4 Safety precautions for operation in hazardous areas

PHD779 Low-profile weighing platforms are approved for hazardous areas of Category 3 (Zone 2/22).

The operating company is responsible for the safe operation of the explosion protected weighing system.

- Strictly observe the safety instructions of the operating company.
- Comply with all national regulations for operation in hazardous areas, as well as with the instructions and information in this user manual.

2 Introduction

2.1 PHD779 Low-profile weighing platforms

This user manual focuses on the products listed below.

The PHD779 product family consists of different product models and a variety of product options.

Models:

- PHD779 Static
- PHD779 Lift
- PHD779 Mobile

Properties:

- stainless steel
- smooth surface
- suitable for wet environment
- approved for Category 3 (Zone 2/22)

Available versions:

- various sizes and capacities
- approved or non-approved

2.2 About this user manual

This user manual contains all information for the **operator** of the PHD779 Low-profile weighing platforms.

- Read this user manual carefully before use.
- Keep this user manual for future reference.
- Pass this user manual to any future owner or user of the product.



2.3 Further documents

In addition to this printed user manual, you can download the following documents from ► <http://www.mt.com>:

- Brochure/Datasheet

Type approval documents for use in hazardous areas

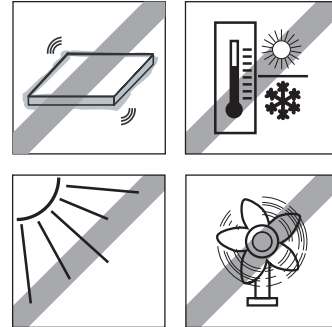
Mechanical assessment of weighing platforms for Category 3	PHD779	BVS 23 ATEX H/B 018
Category 3 load cell	Load cell SLB615d	14ATEX0030X

3 Operation

3.1 Checking the location

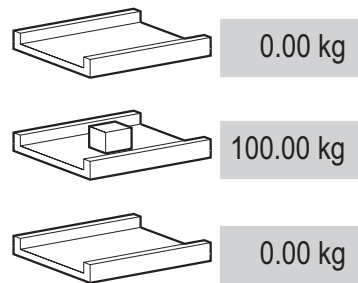
The correct location is crucial for the accuracy of the weighing results.

- Ensure that the location of the weighing platform is stable, vibration-free and horizontal.
- Observe the following environmental conditions:
 - No heavy vibrations
 - No direct sunlight
 - No excessive temperature fluctuations
 - No strong drafts



3.2 Function check

- 1 Make sure that the weighing platform is connected to a weighing terminal and that the weighing terminal is switched on.
- 2 Make sure that the weighing platform is unloaded and the display of the weighing terminal shows 0.
- 3 Load the weighing platform.
 - ➔ The indicator must show a value different from 0.
- 4 Unload the weighing platform.
 - ➔ The indicator must return to 0.

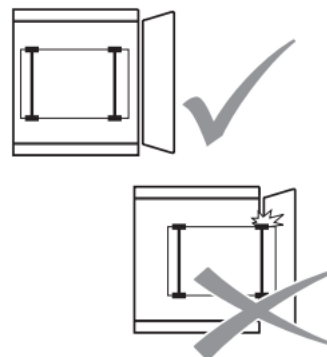


Verification test

For a verification test refer to the user manual of the connected weighing terminal. If the verification seal is broken, the verification is no longer valid.

3.3 Checking ramps

- 1 Make sure that during the weighing process all wheels of the transport vehicle are on the load plate.
- 2 Make sure that the gap between the weighing platform and ramp is free from dirt deposits.



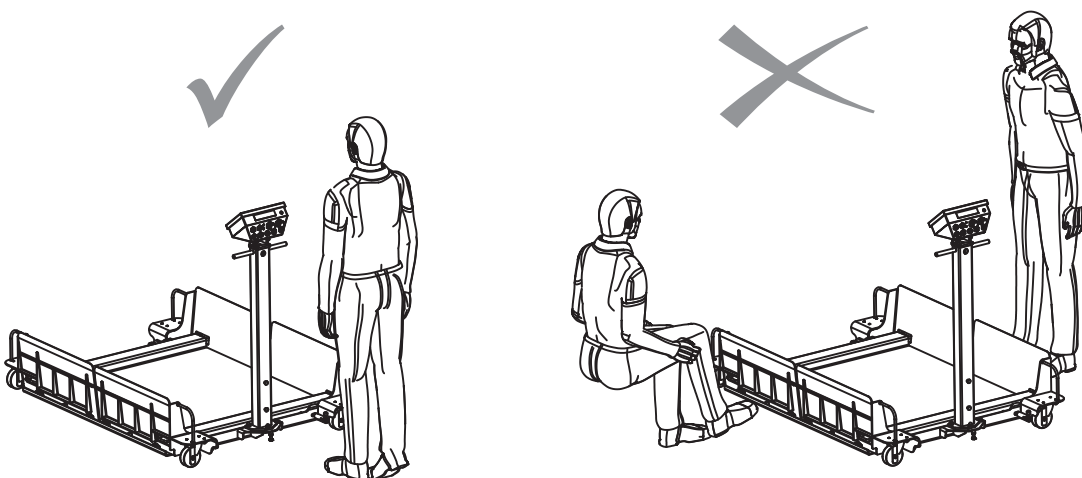
3.4 Operating PHD779 Mobile



WARNING

Danger of crushing

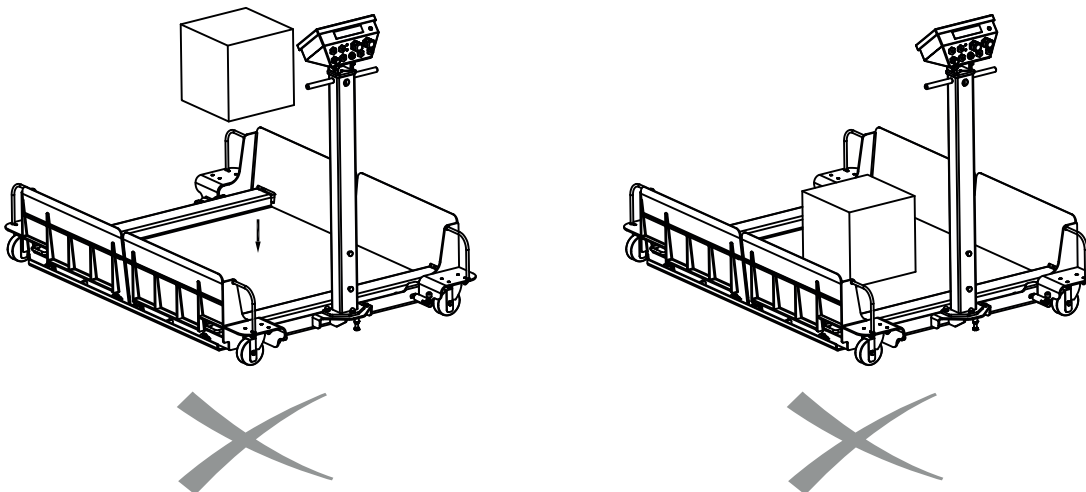
- 1 Only qualified personnel may operate the mobile weighing platform.
- 2 Operate the mobile weighing platform only from the side.
- 3 Do not stand in areas where the ramps may flip down.



CAUTION

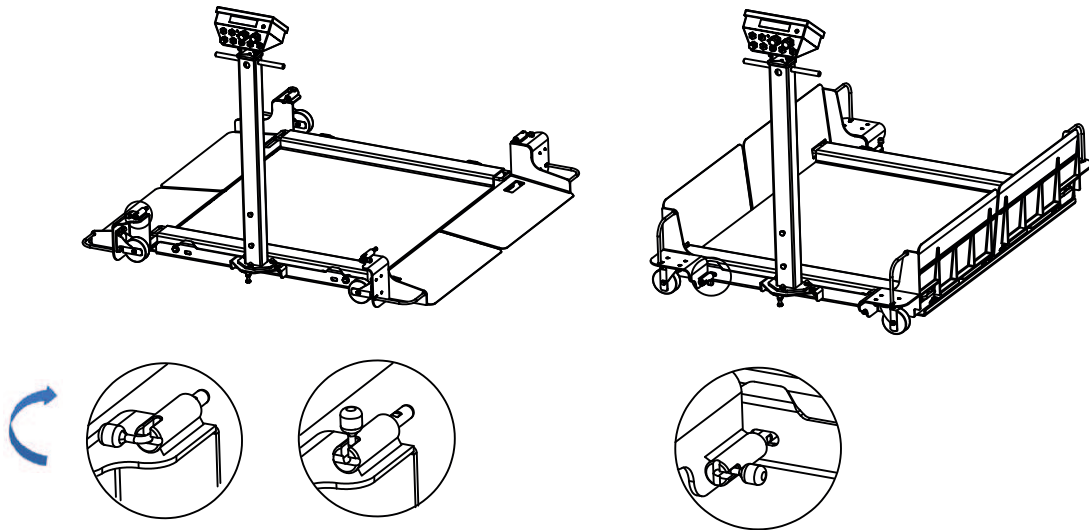
Damage to and/or malfunction of the weighing platform

- 1 Weighing samples or other loads are not permitted on the mobile weighing platform while moving it.
- 2 Weighing samples or other loads are not permitted on the mobile weighing platform while the ramps are flipped up.
- 3 Put on weighing samples only in weighing mode.
- 4 Ensure that the connection cable does not touch the floor.
- 5 Ensure that the grounding cable is disconnected before moving the weighing platform in a hazardous environment.
- 6 Only use the handle on the column to move the weighing platform.
- 7 Do not move the weighing platform when there is any staff on it.



3.4.1 Establishing the moving mode

- 1 Rotate the plunger pin from horizontal direction to vertical direction.
- 2 Grasp the handle of the ramp and flip up the ramp.
- 3 Insert the plunger pin into the slot on the frame side.



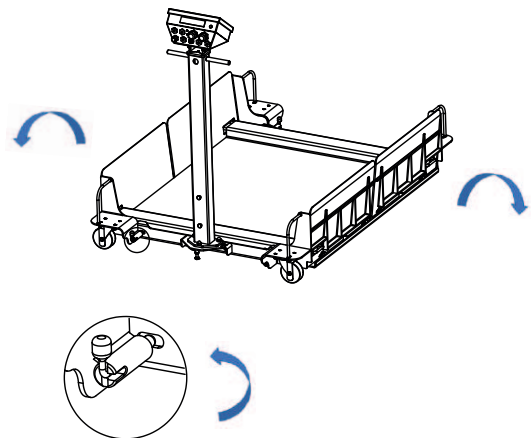
3.4.2 Establishing the weighing mode

Note

Before establishing the weighing mode:

- Make sure the floor is level within ± 2.5 mm.
- Make sure the weighing platform is positioned correctly.
- Make sure the weighing platform is level and adjust it if needed.
- For application in a hazardous environment, make sure the grounding cable is connected before leveling the weighing platform.

- 1 Move the weighing platform to the selected site.
- 2 Pull out the plunger pin. Rotate the plunger pin to vertical direction.
- 3 Grasp the handle and flip down the ramp gently until lying flat.



3.5 Operating PHD779 Lift



WARNING

Danger of crushing

- 1 Only instructed personnel may operate the PHD779 Lift. It is recommended to wear a safety helmet and safety shoes.
- 2 Do not walk across the lifting frame as it might be a trip hazard and could damage the gas springs.
- 3 Lift and lower the platform only from the side. Ensure that no people are in the danger area in front of or under the opened weighing platform.



WARNING

Failure of the gas springs

Even minor damage, corrosion or flecks of paint on the piston rod may lead to failure of the gas springs.

Temperatures outside the specified temperature range may lead to failure of the gas springs.

- 1 Do not operate the PHD779 Lift outside the temperature range of $-10\text{ }^{\circ}\text{C}$ to $+40\text{ }^{\circ}\text{C}$.
- 2 Protect the gas springs against soiling and damage.
- 3 If damage or soiling is detected, lock the lifting frame into a secure position and call the METTLER TOLEDO Service to verify or replace the gas springs.



CAUTION

Heavy weighing platform

- For safe and ergonomic lifting have a second person helping to lift the PHD779 Lift, especially for platform size 1500 x 1500 mm.

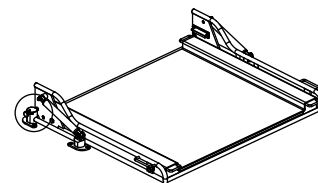
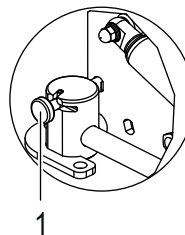
Typical lifting forces

The typical lifting forces to open the PHD779 Lift depend on the platform size and the ambient temperature. The lower the temperature, the higher the lifting forces needed.

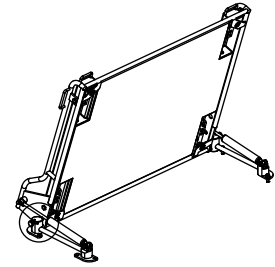
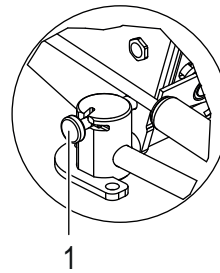
PHD779 Lift Platform size	Typical lifting forces	
	Ambient temp. $>5\text{ }^{\circ}\text{C}$	Ambient temp. $\leq 5\text{ }^{\circ}\text{C}$
650 x 650 mm ... 1250 x 1000 mm	<15 kg	<20 kg
1250 x 1250 mm ... 1500 x 1250 mm	<20 kg	<25 kg
1500 x 1500 mm	<25 kg	<30 kg

Procedure

- 1 Remove the front and rear ramps. Unlock the lock pins (1). For larger platforms, there are two locks on the front of the feet, too.
- 2 Stand on the side of the frame and lift the platform upwards.
 - ➔ The two pins lock automatically.
- 3 Verify that the two lock pins are effectively inserted into the lock holes.



- 4 Unlock the lock pins (1) and turn the platform down to the horizontal. For larger platforms, there are two locks on the front of the feet, too.
- 5 Check that the lock pins are effectively inserted into the lock holes.
- 6 Ensure the lifting frame is pressed on the ground.



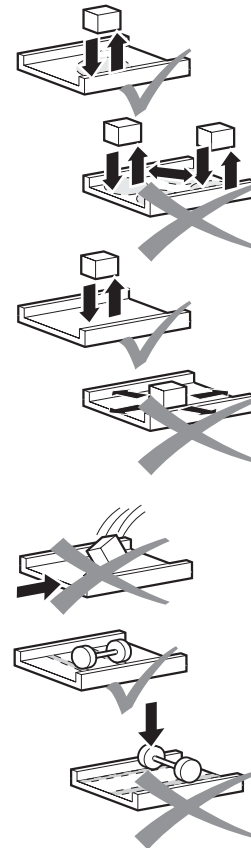
- 7 Reset the ramps.



3.6 Important notes

To achieve best weighing results observe the following:

- Place the weighing sample in the middle of the weighing platform.
- Avoid abrasive and wear processes.
- Avoid falling loads, shocks and lateral impacts.
- When travelling across recessed weighing platforms with pallet trucks, ensure that the axle load does not exceed the maximum side load, see [Maximum permissible load ▶ Page 14].



3.7 Installation, service and repair

For installation, configuration, service and repair of the weighing platforms contact the METTLER TOLEDO service.

4 Maintenance

Maintenance of the weighing platform is limited to regular cleaning and subsequent oiling for stainless steel versions.

- Have an authorized METTLER TOLEDO service representative inspect and calibrate the weighing platform periodically.
- If the weighing platform is used for legal-for-trade purposes, consult the local weights and measures authorities for minimum inspection requirements.
- Contact your local authorized METTLER TOLEDO service representative for information about periodic inspection and calibration service.

4.1 Regular check

- Check the weighing platform on a regular basis before using it, see the sections below.

4.1.1 PHD779 Static / PHD779 Lift

- 1 Oscillate the platform to make sure that the rocker pins are seated properly and there is no binding.
- 2 Make sure that all corners of the frame are supported and the platform does not rock.
- 3 Make sure that the home-run cable connections are not loose.
- 4 Check for debris between the platform and frame.



NOTICE

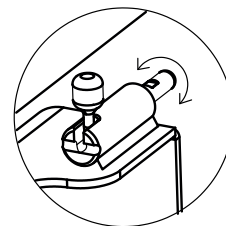
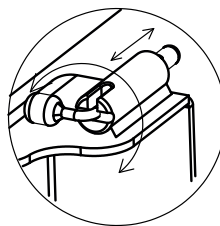
Service required

In case of returning vibrations when opening or closing the lifting frame or when noticing any deviations to the lifting force:

- 1 Do not resume work.
- 2 Call the METTLER TOLEDO Service.

4.1.2 PHD779 Mobile

- 1 Check the proper functioning of the plunger pin.
- 2 Make sure that the plunger pin is not loose when it is locked.
- 3 In case of frequent cleaning, lubricate the roller bearings of the moving rollers with long-life grease.
- 4 Make sure that the scroll wheels are not stuck.



Note

Under normal conditions of use, the rollers are maintenance-free.

4.2 Notes on cleaning



NOTICE

Damage to the weighing platform due to incorrect use of cleaning agents

- 1 Use only such cleaning agents that do not act on the plastics used in the weighing platform.
- 2 Only use disinfectants and cleaning agents in accordance with the manufacturer's instructions.
- 3 Do not use highly acidic, highly alkaline or highly chlorinated cleaning agents. Avoid substances with a high or low pH value since such substances increase the danger of corrosion.
- 4 Be particularly careful when cleaning the load cell.



NOTICE

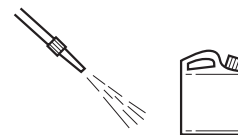
Special notes on cleaning PHD779 Lift

- 1 When using a water jet with a temperature higher than 60 °C, let the lifting frame cool down to a temperature of at least 40 °C before resuming work.
- 2 Wear a safety hat when cleaning the weighing platform in upright position.
- 3 Make sure that the cleaning agent will not cause any corrosion on the gas springs.
- 4 The cleaning agent must not corrode any brass components of the gas spring sealings.
- 5 Protect gas springs against soiling and damage.

- Remove dirt and deposits from the outside and inside of the weighing platform at regular intervals. The procedure depends both on the type of surface and the environmental conditions prevailing at the installation location.

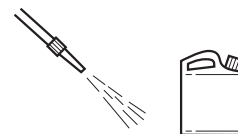
Cleaning in a wet environment

- Use a water jet up to 80 °C and maximum 8 bars, minimum distance 40 cm.
- Use mild cleaning agents.



Cleaning in a corrosive environment

- Use a water jet up to 80 °C and maximum 8 bars, minimum distance 40 cm.
- Remove corrosive substances at regular intervals.
- Only use disinfectants and cleaning agents in accordance with the manufacturer's specifications and instructions.



4.3 Subsequent treatment

In order to protect the weighing platform, carry out the following subsequent treatment:

- Rinse the weighing platform with clear water and remove cleaning agent completely.
- Dry off the weighing platform with a lint-free cloth.
- For stainless steel weighing platforms, treat the outside with food-grade oil.



4.4 Disposal

In conformance with the European Directive 2012/19/EU on Waste Electrical and Electronic Equipment (WEEE) this device may not be disposed of in domestic waste. This also applies to countries outside the EU, per their specific requirements.

Please dispose of this product in accordance with local regulations at the collecting point specified for electrical and electronic equipment. If you have any questions, please contact the responsible authority or the distributor from which you purchased this device. Should this device be passed on to other parties, the content of this regulation must also be related.



Disposal of gas springs

Damaged gas springs have to be replaced.



WARNING

Gas springs are under very high pressure.

- Call the METTLER TOLEDO Service or your local sales representative to replace and dispose of the damaged gas springs.

5 Technical data and operating limits

5.1 Maximum verification scale interval

The verification scale interval depends on the load cell and scale configuration.

The maximum verification scale interval is given below.

Capacity	Maximum verification scale interval in [kg]				
	1 x 3.000e SR	1 x 6.000e SR	2 x 3.000e MR	2 x 6.000e MR	2 x 10.000e MR
300 kg	0.1	0.05	150 kg / 0.05 300 kg / 0.1	120 kg / 0.02 300 kg / 0.05	200 kg / 0.02 300 kg / 0.05
600 kg	0.2	0.1	300 kg / 0.1 600 kg / 0.2	300 kg / 0.05 600 kg / 0.1	500 kg / 0.05 600 kg / 0.1
1200 kg	–	0.2	–	600 kg / 0.1 1200 kg / 0.2	–
1500 kg	0.5	–	600 kg / 0.2 1500 kg / 0.5	–	1000 kg / 0.1 1500 kg / 0.2
2000 kg	1.0 (2.000 e)	0.5	1500 kg / 0.5 2000 kg / 1.0	1200 kg / 0.2 2000 kg / 0.5	1000 kg / 0.1 2000 kg / 0.2

SR: Single Range

MR: Multi Range

5.2 Maximum permissible load

All weighing platforms are equipped with an overload protection. However, if the load exceeds the maximum permissible load, damage to mechanical parts may occur.

The static load-bearing capacity, i.e. the maximum permissible load, is dependent on the type of loading (positions A – C).

Platform	Position			
	A	B	C	
PHD779 300	880 kg	440 kg	220 kg	
PHD779 600	2540 kg	1270 kg	635 kg	
PHD779 1200	2540 kg	1270 kg	635 kg	
PHD779 1500	5280 kg	2640 kg	1320 kg	
PHD779 2000	5280 kg	2640 kg	1320 kg	

5.3 Ambient conditions

The weighing platform may only be operated in the range of –10 °C to + 40 °C.

5.4 Specifications for Category 3

You will find the specifications for Category 3 in the corresponding type approval documents, see table in [Further documents ▶ Page 5].

Register

1	Säkerhetsinstruktioner	4
1.1	Avsedd användning	4
1.2	Felaktig användning	4
1.3	Allmänna säkerhetsåtgärder	4
1.4	Säkerhetsåtgärder för användning i farliga miljöer	4
2	Inledning	5
2.1	PHD779 lågprofilvägningsplattformar	5
2.2	Om denna bruksanvisning	5
2.3	Ytterligare dokument	5
3	Användning	6
3.1	Kontroll av platsen	6
3.2	Funktionskontroll	6
3.3	Kontrollera ramper	6
3.4	Använda PHD779 Mobile	7
3.4.1	Upprätta flyttläget	8
3.4.2	Upprätta vägningsläget	8
3.5	Använda PHD779 Liff	9
3.6	Viktiga anmärkningar	10
3.7	Installation, service och reparation	10
4	Underhåll	11
4.1	Regelbunden kontroll	11
4.1.1	PHD779 Static / PHD779 Liff	11
4.1.2	PHD779 Mobile	11
4.2	Noteringar om rengöring	12
4.3	Efterföljande behandling	13
4.4	Avfallshantering	13
5	Tekniska data och driftgränser	14
5.1	Maximalt verifieringsvågintervall	14
5.2	Maximalt tillåten belastning	14
5.3	Miljövillkor	14
5.4	Specifikationer för Kategori 3	14

METTLER TOLEDO Service

Gratulerar till valet av kvaliteten och precisionen hos METTLER TOLEDO. Korrekt användning av din nya utrustning enligt denna bruksanvisning och regelbunden kalibrering och underhåll av vårt fabriksutbildade service-team säkerställer tillförlitlig och exakt drift för att skydda din investering. Kontakta oss för ett serviceavtal skräddarsytt till dina behov och din budget. Mer information finns på ► www.mt.com/service.

Det finns flera viktiga sätt att säkerställa att du maximerar prestandan på din investering:

- 1 **Registrera din produkt:** Du kan registrera produkten på www.mt.com/productregistration så att vi kan kontakta dig om förbättringar, uppdateringar och viktiga aviseringar gällande din produkt.
- 2 **Kontakta METTLER TOLEDO för service:** Värdet på ett mått är proportionellt till dess exakthet – en våg som inte följer specifikationerna kan försämra kvaliteten, minska nyttan och öka bördan. Service i rätt tid från METTLER TOLEDO säkerställer exaktheten och optimerar klartid och utrustningens livslängd.
 - ➔ **Installation, konfiguration, integration och utbildning:** Våra servicerepresentanter är fabriksutbildade experter för vägningsutrustning. Vi säkerställer att din vägningsutrustning är produktionsklar på ett kostnadseffektivt och tidsenligt sätt och att vår personal är utbildad för framgång.
 - ➔ **Dokumentation för första kalibrering:** Installationsmiljön och applikationskraven är unika för varje industrivåg, så prestandan måste testas och certifieras. Våra kalibreringstjänster och certifikat dokumenterar exakthet för att säkerställa produktionskvalitet och tillhandahålla ett kvalitetssystem med topprestanda.
 - ➔ **Periodiskt kalibreringsunderhåll:** Ett serviceavtal för kalibrering ger ständig tillförsikt i vägningsprocessen och dokumentation för överensstämmelse med kraven. Vi erbjuder en mångfald av serviceplaner som är utformade för att uppfylla dina behov och passa med din budget.

1 Säkerhetsinstruktioner

1.1 Avsedd användning

PHD779-lågprofilsvägningsplattor ingår i ett modulärt vägningsssystem bestående av en METTLER TOLEDO-vägningsindikator och minst en vägningsplattform.

- Använd vägningsplattformen endast för vägning i enlighet med denna bruksanvisning.
- Vägningsplattformen är avsedd endast för användning inomhus.
- All annan användning betraktas som ej avsedd.

Legal metrologi

- Använd endast godkända vägningsplattor för användning i legal metrologi.
- Vid användning av vägningsplattformen i legal metrologi ansvarar driftbolaget för att observera alla nationella vikt- och måttkrav.
- Kontakta METTLER TOLEDO:s serviceorganisation för frågor rörande användning i lagliga handelsapplikationer.

1.2 Felaktig användning

- Använd inte vägningsplattformen för annat än vägningsarbeten.
- Modifiera inte vägningsplattformen.
- Använd inte vägningsplattformen bortom gränserna för tekniska specifikationer.
- Använd inte vägningsplattformen för förvaring av varor.
- Undvik släppa varor på vägningsplattformen.
- Använd inte vägningsplattformen i en annan miljö eller kategori än vad som anges i tabellen i avsnittet [Tekniska data och driftgränser ► sidan 14].

1.3 Allmänna säkerhetsåtgärder

- Använd endast originaltillbehör och -kabelanordningar från METTLER TOLEDO med denna produkt. Om ej godkända eller oäkta tillbehör eller kabelanordningar används kan det medföra att garantin upphör att gälla, felaktig drift eller skada på egendom (inklusive enheten) eller personskada.

1.4 Säkerhetsåtgärder för användning i farliga miljöer

PHD779 lågprofilsvägningsplattor är godkända för farliga områden i Kategori 3 (zon 2/22).

Driftbolaget ansvarar för säker användning av det explosionsskyddade vägningssystemet.

- Observera noggrant säkerhetsinstruktionerna från driftbolaget.
- Följ alla nationella bestämmelser för användning i farliga miljöer samt instruktionerna och informationen i denna bruksanvisning.

2 Inledning

2.1 PHD779 lågprofilvägningsplattformar

Denna bruksanvisning fokuserar på produkterna som anges nedan.

PHD779-produktfamiljen består av olika produktmodeller och en mängd olika produktalternativ.

Modeller:

- PHD779 Static
- PHD779 Liff
- PHD779 Mobile

Egenskaper:

- rostfritt stål
- slät yta
- lämplig för våt miljö
- godkänd för kategori 3 (zon 2/22)

Tillgängliga versioner:

- olika storlekar och kapaciteter
- godkänd eller ej godkänd

2.2 Om denna bruksanvisning

Denna bruksanvisning innehåller all information för **operatören** av PHD779-lågprofilvägningsplattformarna.

- Läs denna bruksanvisning noga före användning.
- Bevara denna bruksanvisning för framtida referens.
- Vidarebefordra denna bruksanvisning till eventuell framtida ägare eller användare av produkten.



2.3 Ytterligare dokument

Utöver denna utskrivna bruksanvisning kan du ladda ner följande dokument från ► <http://www.mt.com>:

- Broschyr/datablad

Typgodkännandedokument för användning i farliga miljöer

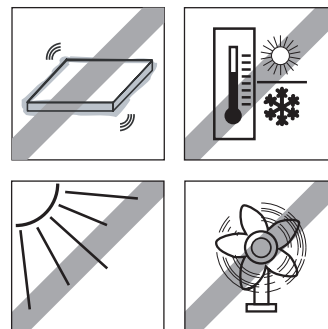
Mekanisk bedömning av vägningsplattformar i Kategori 3	PHD779	BVS 23 ATEX H/B 018
Kategori 3 lastcell	Lastcell SLB615d	14ATEX0030X

3 Användning

3.1 Kontroll av platsen

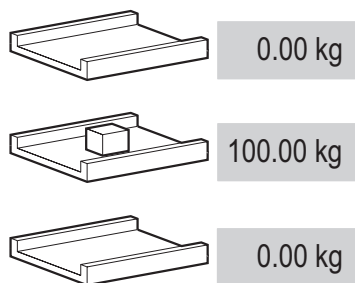
Korrekt plats är avgörande för noggrannheten på vägningsresultaten.

- Se till att platsen för vägningsplattformen är stabil, vibrationsfri och horisontell.
- Observera följande miljöförhållanden:
 - Inga tunga vibrationer
 - Inget direkt solljus
 - Inga stora temperatursvängningar
 - Inga kraftiga luffdrag



3.2 Funktionskontroll

- 1 Se till att vägningsplattformen är ansluten till en vägningsterminal och att vägningsterminalen är påslagen.
- 2 Se till att inga föremål befinner sig på vägningsplattformen och att vägningsterminalens display visar 0.
- 3 Lägg ett föremål på vägningsplattformen.
 - ➔ Indikatorn måste visa ett annat värde än 0.
- 4 Ta bort föremålet från vägningsplattformen.
 - ➔ Indikatorn måste återgå till 0.

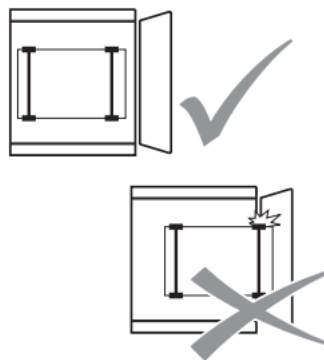


Verifikationstest

Se bruksanvisningen till den anslutna vägningsterminalen för ett verifikationstest. Om verifikationsplomberingen är bruten är verifikationen inte längre giltig.

3.3 Kontrollera ramper

- 1 Se till att transportfordonets samtliga hjul befinner sig på lastplattan under vägningen.
- 2 Se till att spalten mellan vägningsplattformen och rampen är fri från smutsavlagringar.



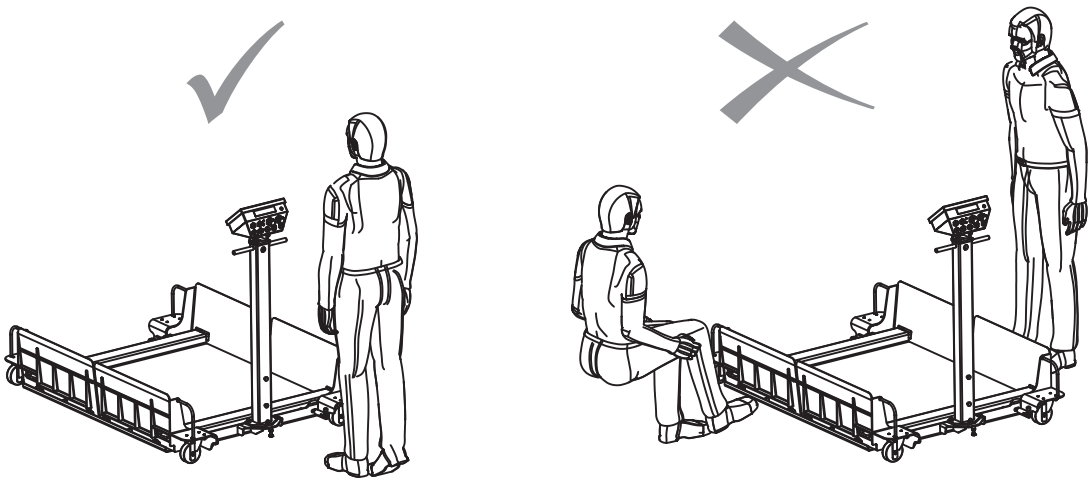
3.4 Använda PHD779 Mobile



! VARNING

Risk för krosskador

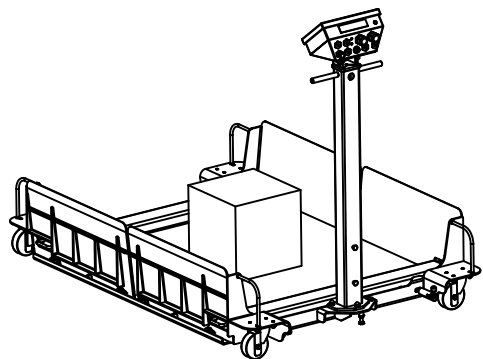
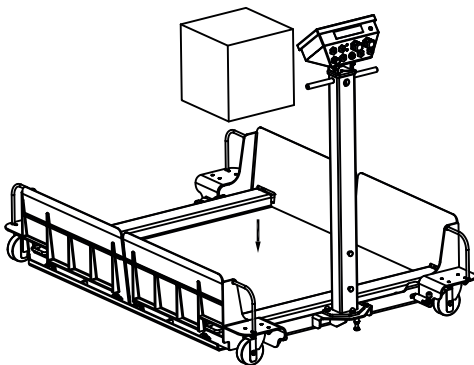
- 1 Endast kvalificerad personal får använda den mobila vägningsplattformen.
- 2 Använd den mobila vägningsplattformen endast från sidan.
- 3 Stå inte i områden där ramperna kan fällas ner.



! OBSERVERA

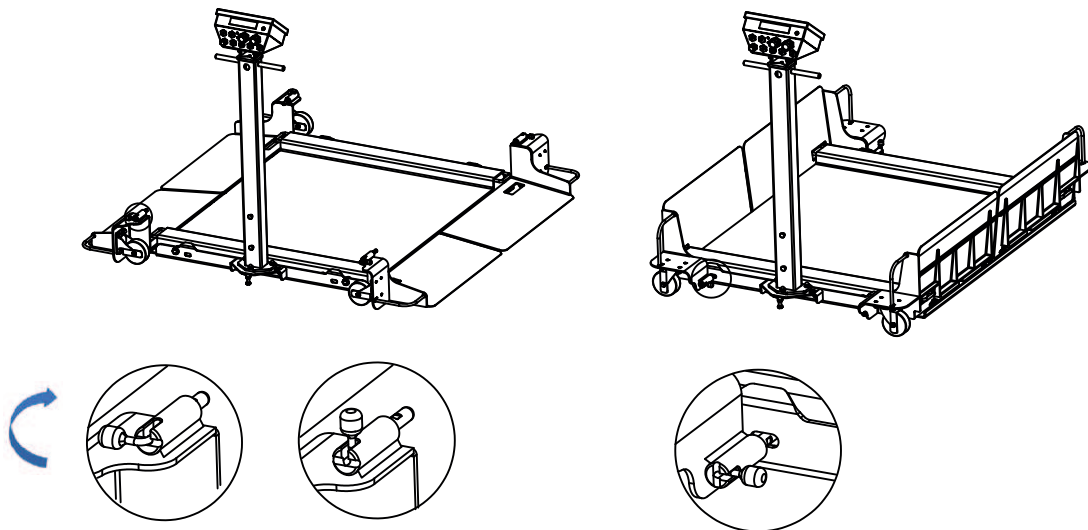
Skada och/eller felfunktion på vägningsplattformen

- 1 Vägningsprover eller andra laster är inte tillåtna på den mobila vägningsplattformen medan den flyttas.
- 2 Vägningsprover eller andra laster är inte tillåtna på den mobila vägningsplattformen medan ramperna är uppfällda.
- 3 Lägg på vägningsprover endast i vägningsläge.
- 4 Se till att anslutningskabeln inte vidrör golvet.
- 5 Se till att jordkabeln har kopplats loss innan du flyttar vägningsplattformen till en farlig miljö.
- 6 Använd endast handtaget på pelaren för att flytta vägningsplattformen.
- 7 Flytta inte vägningsplattformen om det finns personal på den.



3.4.1 Upprätta flyttläget

- 1 Vrid kolvstiftet till vertikal riktning från horisontell riktning.
- 2 Ta tag i handtaget på rampen och fäll upp rampen.
- 3 Sätt in kolvstiftet i hålet på ramsidan.



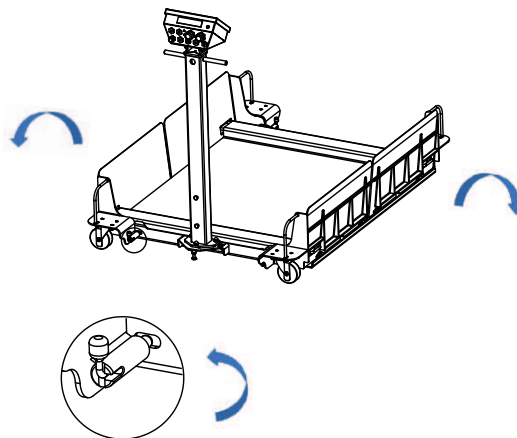
3.4.2 Upprätta vägningsläget

i Anmärkning

Innan vägningsläget upprättas:

- Se till att underlaget är i våg $\pm 2,5$ mm.
- Se till att vägningsplattformen är korrekt placerad.
- Se till att vägningsplattformen står i våg och justera vid behov.
- För användning i farlig miljö, kontrollera att jordkabeln är ansluten innan du nivellerar vägningsplattformen.

- 1 Flytta vägningsplattformen till den valda sidan.
- 2 Dra ut kolvstiftet. Vrid kolvstiftet till vertikal riktning.
- 3 Ta tag i handtaget och fäll ner rampen försiktigt tills den ligger plant.



3.5 Använda PHD779 Lift



⚠ VARNING

Risk för krosskador

- 1 Endast instruerad personal får använda PHD779 Lift. Det rekommenderas att man använder skyddshjälm och skydds skor.
- 2 Gå inte över lyfframen, eftersom den kan vara en snubbelrisk och skada gasfjädrarna.
- 3 Lyft och sänk plattformen endast från sidan. Se till att inga människor befinner sig i riskområdet framför eller under den öppnade vägningsplattformen.



⚠ VARNING

Felfunktion hos gasfjädrarna

Även mindre skador, korrosion eller färgfläckar på kolvstången kan leda till felfunktion hos gasfjädrarna.

Temperaturer utanför det angivna temperaturspannet kan leda till felfunktion hos gasfjädrarna.

- 1 Använd inte PHD779 Lift utanför temperaturområdet -10 °C till $+40\text{ °C}$.
- 2 Skydda gasfjädrarna mot nedsmutsning och skada.
- 3 Vid detektering av skada eller nedsmutsning, lås lyfframen i ett säkert läge och kontakta METTLER TOLEDO service för kontroll eller utbyte av gasfjädrarna.



⚠ OBSERVERA

Tung vägningsplattform

- För ett säkert och ergonomiskt lyft, se till att en andra person hjälper till att lyfta PHD779 Lift, särskilt för plattformstorlek 1 500 x 1 500 mm.

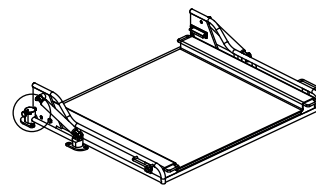
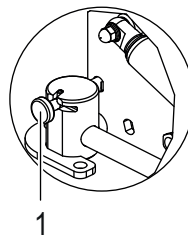
Typiska lyftkrafter

Typiska lyftkrafter för öppning av PHD779 Lift beror på plattformens storlek och den omgivande temperaturen. Ju lägre temperatur, desto högre lyftkrafter krävs.

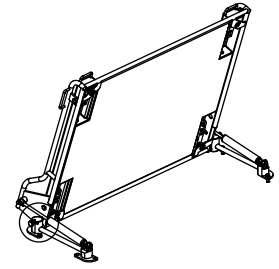
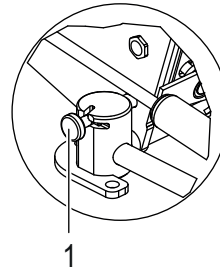
PHD779 Lift Plattformens storlek	Typiska lyftkrafter	
	Omgivningstemp. $>5\text{ °C}$	Omgivningstemp. $\leq 5\text{ °C}$
650 x 650 mm ... 1250 x 1000 mm	$<15\text{ kg}$	$<20\text{ kg}$
1250 x 1250 mm ... 1500 x 1250 mm	$<20\text{ kg}$	$<25\text{ kg}$
1500 x 1500 mm	$<25\text{ kg}$	$<30\text{ kg}$

Procedur

- 1 Flytta de främre eller bakre ramperna. Lås upp låsstiften (1). För större plattformar finns det även två lås på fötternas framsida.
- 2 Stå på ramens sida och lyft plattformen uppåt.
➔ De två stiften låses automatiskt.
- 3 Kontrollera att de två låsstiften är korrekt insatta i hålen.



- 4 Lås upp låsstiften (1) och vinkla ner plattformen till horisontellt läge. För större plattformar finns det även två lås på fötternas framsida.
- 5 Kontrollera att låsstiften är korrekt insatta i hålen.
- 6 Se till att lyfframen trycks mot marken.



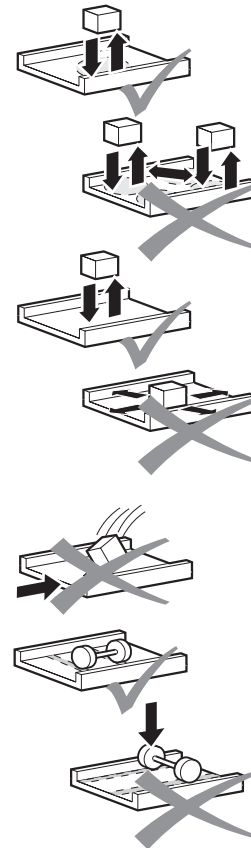
- 7 Återställ ramperna.



3.6 Viktiga anmärkningar

Observera följande för att uppnå bästa vägningsresultat:

- Placera vägningsprovet i mitten av vägningsplattformen.
- Undvik slipande och nötande procedurer.
- Undvik fallande last, stötar och sidokollisioner.
- Vid åkning med gaffeltruckar över vägningsplattformar med fördjupning, se till att axeltrycket inte överskrider den maximala sidobelastningen, se [Maximalt tillåten belastning ► sidan 14].



3.7 Installation, service och reparation

För installation, konfiguration, service och reparation av vägningsplattformarna, kontakta METTLER TOLEDO service.

4 Underhåll

Underhåll av vägningsplattformen är begränsat till regelmässig rengöring och efterföljande smörjning för versioner i rostfritt stål.

- Låt en auktoriserad METTLER TOLEDO-servicerepresentant inspektera och kalibrera vägningsplattformen regelbundet.
- Om vägningsplattformen används för kommersiella godkända för detaljhandeln syften, konsultera de lokala vikt- och måttmyndigheterna för minimala inspektionskrav.
- Kontakta din lokala auktoriserade METTLER TOLEDO-servicerepresentant för information om regelbunden inspektion och kalibreringsservice.

4.1 Regelbunden kontroll

- Kontrollera vägningsplattformen regelbundet innan du använder den, se avsnitten nedan.

4.1.1 PHD779 Static / PHD779 Lift

- 1 Oscillera plattformen för att säkerställa att vipptapparna sitter ordentligt och att de inte kärvar.
- 2 Se till att ramens alla hörn har stöd och att plattformen inte vaggar.
- 3 Se till att de direktgående kabelanslutningarna inte är lösa.
- 4 Kontrollera ev. smuts mellan plattformen och ramen.



OBS

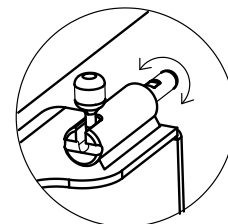
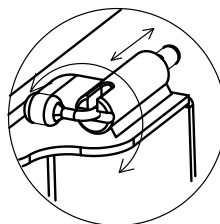
Service krävs

Vid returvibrationer när man öppnar eller stänger lyfframen eller vid eventuella avvikelser i lyftkraft:

- 1 Återuppta inte arbetet.
- 2 Kontakta METTLER TOLEDO service.

4.1.2 PHD779 Mobile

- 1 Kontrollera att kolvstiftet fungerar som det ska.
- 2 Se till att kolvstiftet inte är löst när det är låst.
- 3 Vid frekvent rengöring, smörj rullagren på flyttrullarna på flyttrullarna med long-life-fett.
- 4 Se till att hjulen inte har fastnat.



i Anteckning

Under normala användningsförhållanden är rullarna underhållsfria.

4.2 Noteringar om rengöring



OBS

Skada på vägningsplattformen på grund av felaktig användning av rengöringsmedel

- 1 Använd endast sådana rengöringsmedel som inte inverkar på plasten som används i vägningsplattformen.
- 2 Använd endast desinfektionsmedel och rengöringsmedel i enlighet med tillverkarens instruktioner.
- 3 Använd inte mycket syrahaltiga, alkaliska eller klorhaltiga rengöringsmedel. Undvik ämnen med ett högt eller lågt pH-värde, eftersom sådana ämnen ökar risken för korrosion.
- 4 Var särskilt försiktig när du rengör lastcellen.



OBS

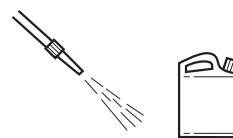
Särskild information om rengöring av PHD779 Lift

- 1 Vid användning av en varm vattenstråle med temperatur över 60 °C, låt lyfframen kallna till en temperatur på minst 40 °C innan du återupptar arbetet.
- 2 Bär skyddshjälm när du rengör vägningsplattformen i upprätt läge.
- 3 Se till att rengöringsmedlet inte kan orsaka korrosion på gasfjädrarna.
- 4 Rengöringsmedlet får inte korrodera några mässingskomponenter för gasfjädrarnas tätningar.
- 5 Skydda gasfjädrarna mot nedsmutsning och skada.

- Avlägsna smuts och avlagringar från utsidan och insidan av vägningsplattformen regelbundet. Tillvägagångssättet beror på både typen av yta och miljöförhållandena som råder på installationsplatsen.

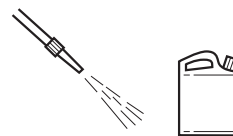
Rengöring i en våt miljö

- Använd en vattenstråle upp till 80 °C och maximala 8 bar, minsta avstånd 40 cm.
- Använd milda rengöringsmedel.



Rengöring i en korrosiv miljö

- Använd en vattenstråle upp till 80 °C och maximala 8 bar, minsta avstånd 40 cm.
- Avlägsna korrosiva ämnen vid regelbundna intervall.
- Använd endast desinfektionsmedel och rengöringsmedel i enlighet med tillverkarens specifikationer och instruktioner.



4.3 Efterföljande behandling

Utför därefter följande behandling för att skydda vägningsplattformen:

- Skölj vägningsplattformen med klart vatten och avlägsna rengöringsmedel helt.
- Torka av vägningsplattformen med en luddfri trasa.
- För vägningsplattformar i rostfritt stål, behandla utsidan med livsmedelsanpassad olja.



4.4 Avfallshantering

I enlighet med det europeiska direktivet 2012/19/EU om avfall av elektrisk och elektronisk utrustning (WEEE) får den här enheten inte slängas i hushållsavfallet. Detta gäller även för länder utanför EU, enligt deras specifika krav.

Kassera denna produkt i enlighet med lokala bestämmelser på den insamlingsplats som anges för elektrisk och elektronisk utrustning. Om du har några frågor kan du kontakta den ansvariga myndigheten eller den distributör från vilken du köpte den här enheten. Om den här enheten överläts till andra parter måste även innehållet i denna föreskrift relateras.



Avfallshantering av gasfjädrar

Skadade gasfjädrar behöver bytas ut.



VARNING

Gasfjädrar har väldigt högt tryck.

- Kontakta METTLER TOLEDO service eller din lokala återförsäljare för byte och avfallshantering av de skadade gasfjädrarna.

5 Tekniska data och driftgränser

5.1 Maximalt verifieringsvågintervall

Verifieringsvågintervall beror på lastcellen och vågens konfiguration.

Maximalt verifieringsvågintervall anges nedan.

Kapacitet	Maximal verifieringsvågintervall i [kg]				
	1 x 3.000e SR	1 x 6.000e SR	2 x 3.000e MR	2 x 6.000e MR	2 x 10.000e MR
300 kg	0,1	0,05	150 kg / 0,05 300 kg / 0,1	120 kg / 0,02 300 kg / 0,05	200 kg / 0,02 300 kg / 0,05
600 kg	0,2	0,1	300 kg / 0,1 600 kg / 0,2	300 kg / 0,05 600 kg / 0,1	500 kg / 0,05 600 kg / 0,1
1200 kg	–	0,2	–	600 kg / 0,1 1200 kg / 0,2	–
1500 kg	0,5	–	600 kg / 0,2 1500 kg / 0,5	–	1000 kg / 0,1 1500 kg / 0,2
2000 kg	1,0 (2.000 e)	0,5	1500 kg / 0,5 2000 kg / 1,0	1200 kg / 0,2 2000 kg / 0,5	1000 kg / 0,1 2000 kg / 0,2

SR: Single Range

MR: Multi Range

5.2 Maximalt tillåten belastning

Alla vägningsplattformar är utrustade med ett överbelastningskydd. Om belastningen dock överskrider den maximalt tillåtna belastningen, kan mekaniska delar skadas.

Den statiska bärformågan, dvs. den maximalt tillåtna belastningen, är beroende av typen av belastning (positioner A – C).

Plattform	Position			
	A	B	C	
PHD779 300	880 kg	440 kg	220 kg	
PHD779 600	2540 kg	1270 kg	635 kg	
PHD779 1200	2540 kg	1270 kg	635 kg	
PHD779 1500	5280 kg	2640 kg	1320 kg	
PHD779 2000	5280 kg	2640 kg	1320 kg	

5.3 Miljövillkor

Vägningsplattformen får endast användas i området –10 °C till +40 °C.

5.4 Specifikationer för Kategori 3

Du hittar specifikationerna för Kategori 3 i motsvarande typgodkännandedokument, se tabellen i [Ytterligare dokument ▶ sidan 5].

Indholdsfortegnelse

1	Sikkerhedsanvisninger	4
1.1	Tilsigtet brug	4
1.2	Forkert brug	4
1.3	Generelle sikkerhedsforanstaltninger	4
1.4	Sikkerhedsforanstaltninger ved brug i farlige områder	4
2	Introduktion	5
2.1	PHD779 Lavprofilvejeplatforme	5
2.2	Om denne brugervejledning	5
2.3	Yderligere dokumenter	5
3	Betjening	6
3.1	Kontrol af placering	6
3.2	Funktionskontrol	6
3.3	Kontrol af ramper	6
3.4	Betjening af PHD779 Mobile	7
3.4.1	Skift til bevægelsestilstand	8
3.4.2	Skift til vejetilstand	8
3.5	Betjening af PHD779 Liff	9
3.6	Vigtige noter	10
3.7	Installation, service og reparation	10
4	Vedligeholdelse	11
4.1	Regelmæssig kontrol	11
4.1.1	PHD779 Static / PHD779 Liff	11
4.1.2	PHD779 Mobile	11
4.2	Bemærkninger vedrørende rengøring	12
4.3	Efterbehandling	13
4.4	Bortskaffelse	13
5	Tekniske data og driftsgrænser	14
5.1	Maksimalt verifikationsvægtinterval	14
5.2	Tilladt totalvægt	14
5.3	Omgivelsesforhold	14
5.4	Specifikationer for Kategori 3	14

METTLER TOLEDO Service

Tillykke med dit nye præcise kvalitetsprodukt fra METTLER TOLEDO. Korrekt brug af dit nye udstyr i overensstemmelse med denne manual samt regelmæssig kalibrering og vedligeholdelse udført af vores uddannede servicemedarbejdere beskytter din investering og sikrer, at udstyret er pålideligt og nøjagtigt. Kontakt os for at høre mere om mulighederne for en skræddersyet serviceaftale, der passer til dit behov og budget. Du kan finde yderligere oplysninger på ► www.mt.com/service.

Du kan sikre, at din investering udnyttes maksimalt, på flere vigtige måder:

- 1 **Registrer dit produkt:** Vi opfordrer dig til at registrere dit produkt på www.mt.com/productregistration så vi kan kontakte dig om forbedringer, opdateringer og vigtige oplysninger vedrørende dit produkt.
- 2 **Kontakt METTLER TOLEDO vedrørende service:** Værdien af en måling er proportional med dens nøjagtighed – en vægt, der er uden for specifikationerne, kan medføre forringet kvalitet, reduceret indtjening og øget ansvar. Rettidig service fra METTLER TOLEDO sikrer nøjagtighed og optimerer opetiden og udstyrets levetid.
 - ➔ **Installation, konfiguration, integration og uddannelse:** Vores serviceteknikere er uddannet på fabrikken og er eksperter i vejudstyr. Vi sikrer, at dit vejudstyr er klar til produktion omkostningseffektivt og rettidigt, og at personalet er uddannet til at sikre succesfulde resultater.
 - ➔ **Dokumentation for indledende kalibrering:** Installationsmiljøet og kravene til anvendelsesområdet er unikke for hver enkelt industrivægt, så ydeevnen skal testes og certificeres. Vores kalibreringsydelser og certifikater dokumenterer nøjagtighed med det formål at sikre produktionskvalitet og levere et kvalitetssystem med dokumenteret ydeevne.
 - ➔ **Periodisk kalibreringsvedligeholdelse:** En serviceaftale om kalibrering sikrer, at du altid kan have tillid til din vejeprocess, og at du har dokumentation for overholdelse af kravene. Vi tilbyder mange forskellige typer af serviceordninger, der er tilrettelagt, så de opfylder dine behov og tager højde for dit budget.

1 Sikkerhedsanvisninger

1.1 Tilsigtet brug

PHD779 lavprofilvejeplatformene er en del af et modulopbygget vejesystem, der består af en METTLER TOLEDO vejeindikator og mindst én vejeplatform.

- Brug kun vejeplatformen til vejning i overensstemmelse med denne brugervejledning.
- Vejeplatformen er udelukkende beregnet til indendørs brug.
- Enhver anden brug betragtes som utilsigtet.

Lovreguleret måling

- Brug kun godkendte vejeplatforme til lovreguleret måling.
- Ved brug af vejeplatformen til lovreguleret måling er driftsselskabet ansvarligt for at overholde alle nationale krav til vejning og måling.
- Kontakt METTLER TOLEDOs serviceorganisation i tilfælde af spørgsmål vedrørende brug i lovlige handelsapplikationer.

1.2 Forkert brug

- Brug ikke vejeplatformen til andet end vejning.
- Undlad at foretage ændringer på vejeplatformen.
- Brug ikke vejeplatformen uden for grænserne i de tekniske specifikationer.
- Brug ikke vejeplatformen til opbevaring af varer.
- Undgå at tabe varer ned på vejeplatformen.
- Brug ikke vejeplatformen i andre miljøer eller inden for andre kategorier end angivet i tabellen under [Tekniske data og driftsgrænser ▶ side 14].

1.3 Generelle sikkerhedsforanstaltninger

- Anvend kun originalt METTLER TOLEDO-udstyr og kabler med dette produkt. Anvendelse af uautoriseret eller forfalsket udstyr eller kabler kan medføre bortfald af garantien, forkert eller fejlagtig drift, tingsskader (herunder beskadigelse af enheden) eller personskader.

1.4 Sikkerhedsforanstaltninger ved brug i farlige områder

PHD779 lavprofilvejeplatforme er godkendte til farlige områder i Kategori 3 (Zone 2/22).

Driftsselskabet er ansvarlig for sikker drift af det eksplosionsbeskyttede vejesystem.

- Overhold omhyggeligt driftsselskabets sikkerhedsinstruktioner.
- Overhold alle gældende regler for drift i farlige områder samt instruktionerne og oplysningerne i denne brugervejledning.

2 Introduktion

2.1 PHD779 Lavprofilvejeplatforme

Denne brugervejledning fokuserer på de produkter, der er angivet nedenfor. PHD779 produktfamilien består af forskellige produktmodeller og forskellige produktudførelser.

Modeller:

- PHD779 Static
- PHD779 Liff
- PHD779 Mobile

Egenskaber:

- rustfrit stål
- glat overflade
- egnet til våde miljøer
- godkendt til kategori 3 (Zone 2/22)

Tilgængelige versioner:

- forskellige størrelser og kapaciteter
- godkendte eller ikke-godkendte

2.2 Om denne brugervejledning

Denne brugervejledning indeholder alle oplysninger til **operatøren** af PHD779 lavprofilvejeplatformene.

- Læs denne brugervejledning omhyggeligt før brug.
- Opbevar denne brugervejledning, så du har den til fremtidig reference.
- Giv denne brugervejledning videre til en eventuel fremtidig ejer eller bruger af produktet.



2.3 Yderligere dokumenter

Ud over denne trykte brugervejledning kan du også downloade følgende dokumenter fra ► <http://www.mt.com>:

- Brochure/datablad

Typegodkendelsesdokumenter til brug i farlige områder

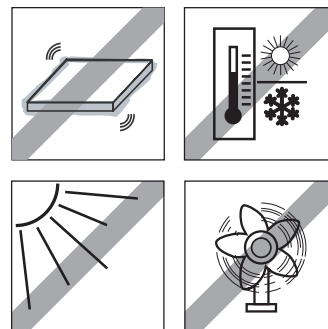
Mekanisk vurdering af vejeplatforme til Kategori 3	PHD779	BVS 23 ATEX H/B 018
Kategori 3 vejecelle	Vejecelle SLB615d	14ATEX0030X

3 Betjening

3.1 Kontrol af placering

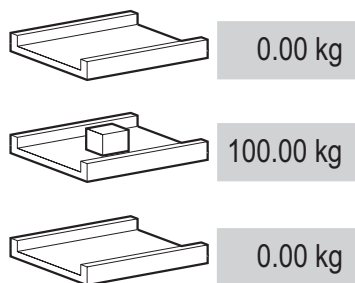
Den korrekte placering er afgørende for vejeresultaternes nøjagtighed.

- Sørg for, at vejeplatformens placering er stabil, uden vibrationer og vandret.
- Sørg for, at følgende omgivende forhold er til stede:
 - Ingen kraftige vibrationer
 - Intet direkte sollys
 - Ingen store temperaturudsving
 - Ingen kraftig træk



3.2 Funktionskontrol

- 1 Sørg for, at vejeplatformen er tilsluttet til en vejeterminal, og at vejeterminalen er tændt.
- 2 Sørg for, at vejeplatformen er uden vægt, og at displayet på vejeterminalen viser 0.
- 3 Fyld vægt på vejeplatformen.
 - ➔ Indikatoren skal vise en værdi forskellig fra 0.
- 4 Fjern vægten fra vejeplatformen.
 - ➔ Indikatoren skal returnere til 0.

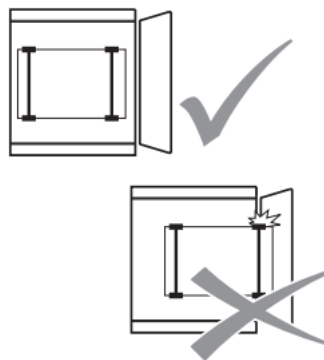


Verifikationstest

Oplysninger om verifikationstest findes i brugervejledningen til den tilsluttede vejeterminal. Hvis verifikationsseglet er brudt, er verifikationen ikke længere gyldig.

3.3 Kontrol af ramper

- 1 Sørg for, at alle transportkøretøjets hjul er på vejepladen under vejeprocessen.
- 2 Sørg for, at der ikke er smudsaflejringer i mellemrummet mellem vejeplatformen og rampen.



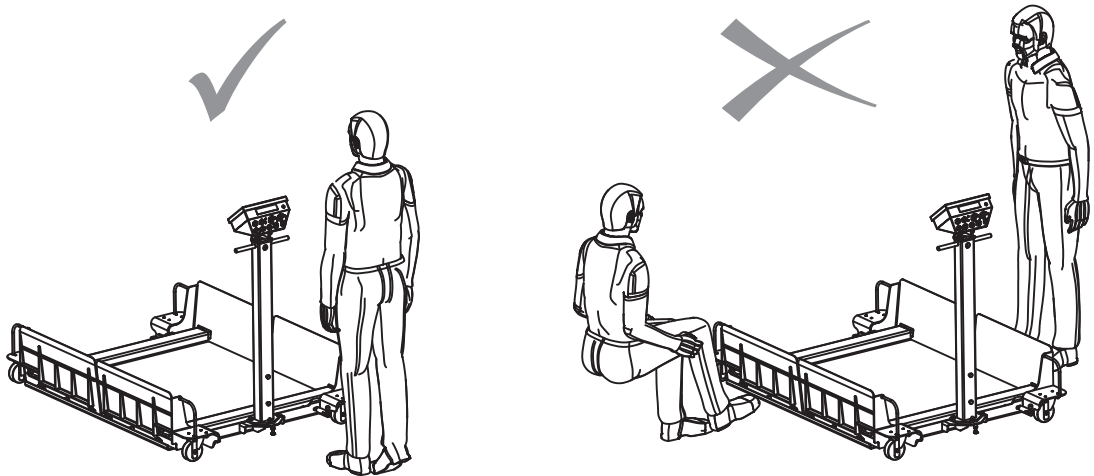
3.4 Betjening af PHD779 Mobile



⚠ ADVARSEL

Fare for knusning

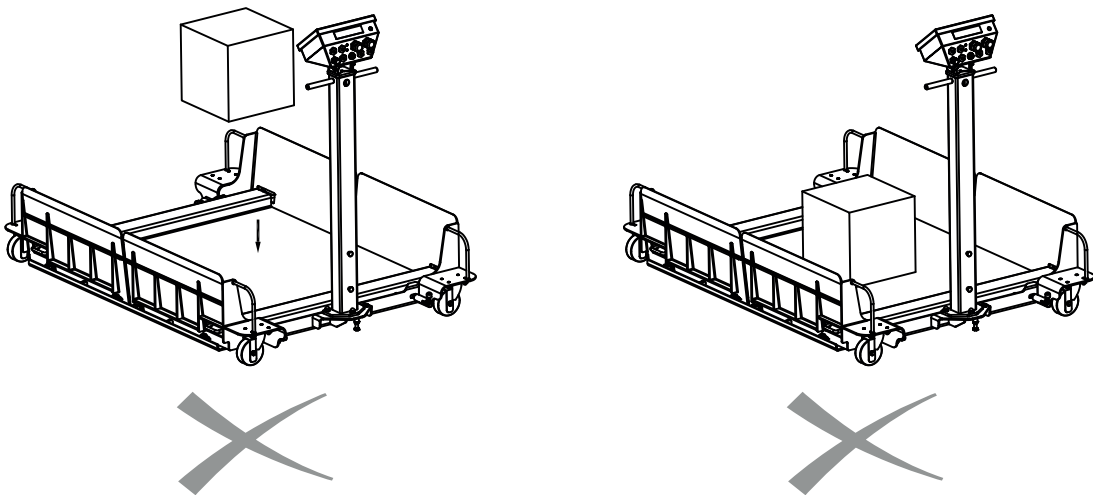
- 1 Kun kvalificerede personer må betjene den mobile vejeplattorm.
- 2 Den mobile vejeplattorm må kun betjenes fra siden.
- 3 Ophold dig ikke i områder, hvor ramperne kan vippe ned.



⚠ FORSIGTIG

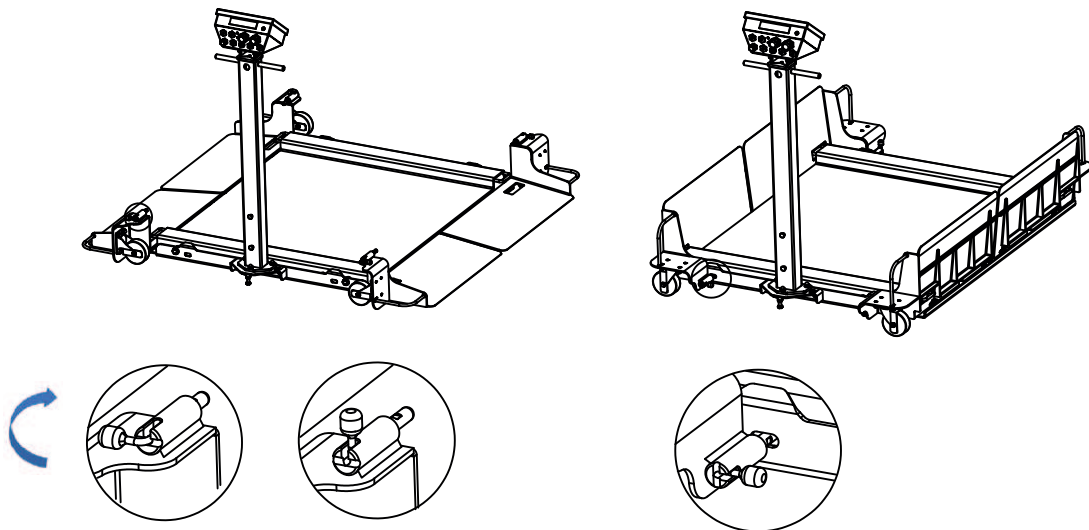
Beskadigelse af og/eller funktionsfejl på vejeplattormen

- 1 Vejning af emner eller anden form for belastning er ikke tilladt på den mobile vejeplattorm, mens den er i bevægelse.
- 2 Vejning af emner eller anden form for belastning er ikke tilladt på den mobile vejeplattorm, mens ramperne er vippet op.
- 3 Der må kun placeres emner på den i vejtilstand.
- 4 Sørg for, at tilslutningskablet ikke rører ved gulvet.
- 5 Sørg for, at jordforbindelseskablet er afbrudt, før vejeplattormen flyttes i et farligt miljø.
- 6 Anvend kun håndtaget på standen til at flytte vejeplattormen.
- 7 Flyt ikke vejeplattormen, når der befinder sig personale på den.



3.4.1 Skift til bevægelsestilstand

- 1 Drej låsestiften til lodret position fra vandret position.
- 2 Tag fat i håndtaget på rampen, og vip rampen op.
- 3 Sæt låsestiften ind i åbningen på rammesiden.



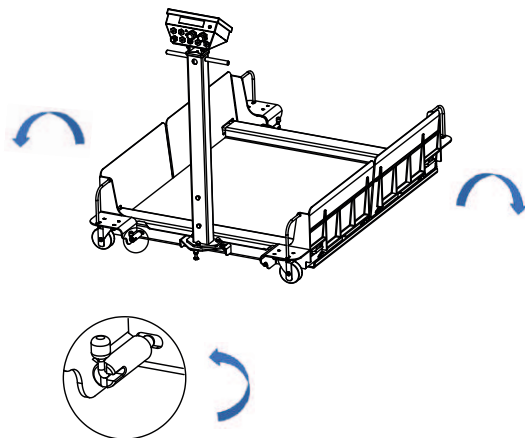
3.4.2 Skift til vejetilstand

i Bemærk

Før skift til vejetilstand:

- Sørg for, at gulvet er i vater inden for $\pm 2,5$ mm.
- Kontrollér, at vejeplatformen er placeret korrekt.
- Sørg for, at vejeplatformen er i vater, og juster om nødvendigt.
- Ved anvendelse i farligt miljø skal jordforbindelseskablet tilsluttes før nivellering af vejeplatformen.

- 1 Flyt vejeplatformen til det valgte sted.
- 2 Træk låsestiften ud. Drej låsestiften til lodret position.
- 3 Tag fat i håndtaget, og vip rampen forsigtigt ned, indtil den ligger fladt.



3.5 Betjening af PHD779 Lift



⚠ ADVARSEL

Fare for knusning

- 1 Kun personer, der har modtaget instruktioner, må betjene PHD779 Lift. Det anbefales at bære sikkerhedshjelm og sikkerhedssko.
- 2 Gå ikke hen over løfterammen, da der er risiko for at falde, hvilket ville kunne beskadige gasfjedrene.
- 3 Løft og sænk kun platformen fra siden. Sørg for, at der ikke er nogen personer i fareområdet foran eller under den åbnede vejeplatform.



⚠ ADVARSEL

Svigt af gasfjedrene

Selv mindre skader, korrosion eller pletter af maling på stempelstangen medfører, at gasfjedrene svigter.

Temperaturer uden for det angivne temperaturområde kan medføre svigt af gasfjedrene.

- 1 Brug kun PHD779 Lift inden for temperaturområdet -10 °C til $+40\text{ °C}$.
- 2 Beskyt gasfjedrene mod tilsmudsning og skader.
- 3 Hvis der konstateres skader eller tilsmudsning, skal løfterammen låses i sikker position, og METTLER TOLEDO Service skal kontaktes for at kontrollere eller udskifte gasfjedrene.



⚠ FORSIGTIG

Tung vejeplatform

- Af hensyn til en sikker og ergonomisk løfteproces skal du få en ekstra person til at hjælpe dig med at løfte PHD779 Lift, især for platformstørrelsen 1500 x 1500 mm.

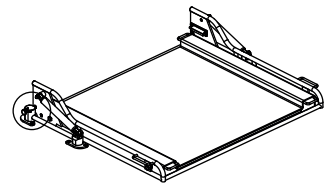
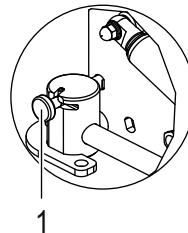
Typiske løftekræfter

De typiske løftekræfter til at åbne PHD779 Lift afhænger af platformstørrelsen og den omgivende temperatur. Jo lavere temperaturen er, jo flere løftekræfter kræves der.

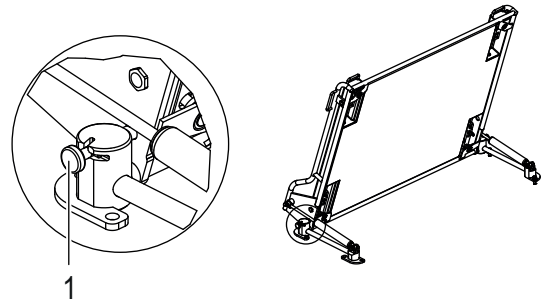
PHD779 Lift Platformstørrelse	Typiske løftekræfter	
	Omgivende temp. $>5\text{ °C}$	Omgivende temp. $\leq 5\text{ °C}$
650 x 650 mm ... 1250 x 1000 mm	$<15\text{ kg}$	$<20\text{ kg}$
1250 x 1250 mm ... 1500 x 1250 mm	$<20\text{ kg}$	$<25\text{ kg}$
1500 x 1500 mm	$<25\text{ kg}$	$<30\text{ kg}$

Fremgangsmåde

- 1 Fjern de forreste og bageste ramper. Løsn låsestifterne (1). For store platforme er der også to låse på forsiden af fødderne.
- 2 Stå ved siden af rammen, og løft platformen opad.
→ De to stifter låser automatisk.
- 3 Kontrollér, at de to låsestifter er sat effektivt i låseåbningerne.



- 4 Løsn låsestifterne (1), og drej platformen ned i vandret stilling. For store platforme er der også to låse på forsiden af fødderne.
- 5 Kontrollér, at låsestifterne er sat effektivt i låseåbningerne.
- 6 Kontrollér, at løfterammen er presset mod underlaget.



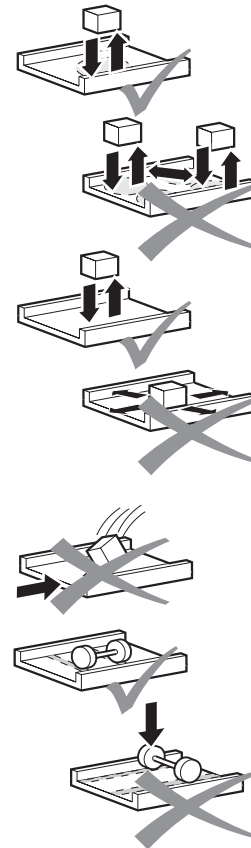
- 7 Nullstil ramperne.



3.6 Vigtige noter

For at opnå de bedst mulige vejeresultater skal følgende regler overholdes:

- Placer vejemnet midt på vejeplatformen.
- Undgå processer, der har en slibende effekt eller medfører slitage.
- Undgå faldende belastninger, stød og sideværts påvirkninger.
- Ved kørsel hen over forsænkede vejeplatforme med palleløfter skal det kontrolleres, at akselbelastningen ikke overskrider den maksimale sidevægt, se [Tilladt totalvægt ▶ side 14].



3.7 Installation, service og reparation

Kontakt METTLER TOLEDO service angående installation, konfiguration, service og reparation af vejeplatforme.

4 Vedligeholdelse

Vedligeholdelse af vejeplatformen er begrænset til regelmæssig rengøring og efterfølgende smøring med olie på udgaverne af rustfrit stål.

- Få en autoriseret METTLER TOLEDO-servicerepræsentant til at inspicere og kalibrere vejeplatformen med regelmæssige mellemrum.
- Hvis vejeplatformen anvendes til lovreguleret måling i handlen, skal du rådføre dig med de lokale myndigheder for vejning og måling for at få oplyst minimumkravene for inspektion.
- Kontakt den lokale autoriserede METTLER TOLEDO-servicerepræsentant for at få oplysninger om periodisk inspektion og kalibrering.

4.1 Regelmæssig kontrol

- Kontrollér vejeplatformen regelmæssigt før brug, se afsnittene nedenfor.

4.1.1 PHD779 Static / PHD779 Lift

- 1 Drej platformen frem og tilbage for at sikre, at vippestifterne sidder korrekt, og at de ikke går trægt.
- 2 Kontrollér, at alle rammens hjørner understøttes, og at platformen ikke vipper.
- 3 Kontrollér, at beskyttede hovedkabelforbindelser ikke er løse.
- 4 Kontrollér for materialerester mellem platformen og rammen.



BEMÆRK

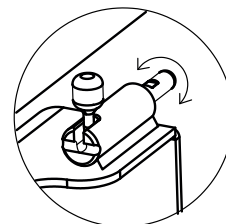
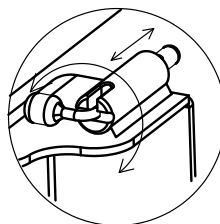
Service required

I tilfælde af tilbagevendende vibrationer ved åbning eller lukning af løfterammen eller hvis der konstateres ændrede løftekræfter:

- 1 Genoptag ikke arbejdet.
- 2 Kontakt METTLER TOLEDO Service.

4.1.2 PHD779 Mobile

- 1 Kontrollér, at låsestiften fungerer korrekt.
- 2 Kontrollér, at låsestiften ikke er løs, når den er blevet låst.
- 3 I tilfælde af hyppig rengøring skal de bevægelige rullers rullelejer smøres med langtidsfedt.
- 4 Kontrollér, at rullehjulene ikke er blokerede.



Bemærk

Under normale anvendelsesbetingelser er hjulene vedligeholdelsesfrie.

4.2 Bemærkninger vedrørende rengøring



BEMÆRK

Beskadigelse af vejeplatformen som følge af forkert brug af rengøringsmidler

- 1 Brug kun rengøringsmidler, som ikke påvirker den plast, der er brugt i vejeplatformen.
- 2 Brug kun desinficerende midler og rengøringsmidler i overensstemmelse med producentens anvisninger.
- 3 Brug ikke meget syreholdige, basiske eller klorholdige rengøringsmidler. Undgå midler med høj eller lav pH-værdi, da sådanne midler øger faren for korrosion.
- 4 Vær særlig omhyggelig ved rengøring af vejecellen.



BEMÆRK

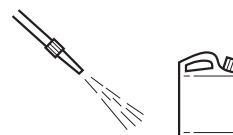
Særlige bemærkninger om rengøring af PHD779 Lift

- 1 Ved brug af en vandstråle med en temperatur over 60 °C, skal løfterammen have lov at køle af til en temperatur på mindst 40 °C før genoptagelse af arbejdet.
- 2 Brug sikkerhedshjelm ved rengøring af vejeplatformen i opret position.
- 3 Kontrollér, at rengøringsmidlet ikke medfører korrosion på gasfjedrene.
- 4 Rengøringsmidlet må ikke korrodere messingkomponenter på gasfjedrenes tætninger.
- 5 Beskyt gasfjedrene mod tilsmudsning og skader.

- Fjern snavs og aflejringer på vejeplatformens yderside og inderside med regelmæssige mellemrum. Fremgangsmåden afhænger både af overfladetypen og af de miljømæssige forhold på installationsstedet.

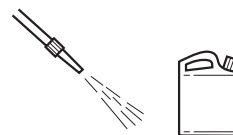
Rengøring i et vådt miljø

- Rengør med vandstråle op til 80 °C og maksimalt 8 bar, minimumafstand 40 cm.
- Brug milde rengøringsmidler.



Rengøring i et korrosionsfremmende miljø

- Rengør med vandstråle op til 80 °C og maksimalt 8 bar, minimumafstand 40 cm.
- Fjern regelmæssigt korrosionsfremmende stoffer.
- Brug kun desinficerende midler og rengøringsmidler i overensstemmelse med producentens specifikationer og anvisninger.



4.3 Efterbehandling

For at beskytte vejeplatformen skal følgende efterbehandling udføres:

- Skyl vejeplatformen med rent vand, og fjern rengøringsmidlet helt.
- Tør vejeplatformen af med en frugfri klud.
- På vejeplatforme i rustfrit stål skal ydersiden behandles med fødevarergodkendt olie.



4.4 Bortskaffelse

I overensstemmelse med EU-direktiv 2012/19/EU om affald af elektrisk og elektronisk udstyr (WEEE) må denne enhed ikke bortskaffes som husholdningsaffald. Dette gælder også for lande uden for EU, i henhold til deres specifikke krav.

Bortskaf venligst dette produkt i overensstemmelse med de lokale love og regler og på det indsamlingssted, der er beregnet til elektrisk og elektronisk udstyr. Hvis du har spørgsmål, bedes du kontakte de ansvarlige myndigheder eller den forhandler, hvor du har købt enheden. Hvis enheden overdrages til andre, skal der også relateres til indholdet i denne bestemmelse.



Bortskaffelse af gasfjedre

Beskadigede gasfjedre skal udskiftes.



ADVARSEL

Gasfjedre står under et meget højt tryk.

- Kontakt METTLER TOLEDO Service eller den lokale salgsrepræsentant for at få udskiftet og bortskaffet de beskadigede gasfjedre.

5 Tekniske data og driftsgrænser

5.1 Maksimalt verifikationsvægtinterval

Verifikationsvægtintervallet afhænger af vejecellen og vægtens konfiguration.

Det maksimale verifikationsvægtinterval er angivet nedenfor.

Kapacitet	Maks. verifikationsvægtinterval i [kg]				
	1 x 3.000e SR	1 x 6.000e SR	2 x 3.000e MR	2 x 6.000e MR	2 x 10.000e MR
300 kg	0,1	0,05	150 kg / 0,05 300 kg / 0,1	120 kg / 0,02 300 kg / 0,05	200 kg / 0,02 300 kg / 0,05
600 kg	0,2	0,1	300 kg / 0,1 600 kg / 0,2	300 kg / 0,05 600 kg / 0,1	500 kg / 0,05 600 kg / 0,1
1200 kg	–	0,2	–	600 kg / 0,1 1200 kg / 0,2	–
1500 kg	0,5	–	600 kg / 0,2 1500 kg / 0,5	–	1000 kg / 0,1 1500 kg / 0,2
2000 kg	1,0 (2.000 e)	0,5	1500 kg / 0,5 2000 kg / 1,0	1200 kg / 0,2 2000 kg / 0,5	1000 kg / 0,1 2000 kg / 0,2

SR: Single Range

MR: Multi Range

5.2 Tilladt totalvægt

Alle vejepalterne er udstyret med overbelastningsbeskyttelse. Hvis belastningen overskrider den tilladte totalvægt, kan de mekaniske dele dog blive beskadiget.

Den statiske bæreevne, dvs. den tilladte totalvægt, afhænger af vægttypen (position A – C).

Platform	Position			
	A	B	C	
PHD779 300	880 kg	440 kg	220 kg	
PHD779 600	2540 kg	1270 kg	635 kg	
PHD779 1200	2540 kg	1270 kg	635 kg	
PHD779 1500	5280 kg	2640 kg	1320 kg	
PHD779 2000	5280 kg	2640 kg	1320 kg	

5.3 Omgivelsesforhold

Vejepallem kan kun betjenes inden for temperaturområdet –10 °C til +40 °C.

5.4 Specifikationer for Kategori 3

Du finder specifikationerne for Kategori 3 i de tilhørende typegodkendelsesdokumenter, se tabellen i [Yderligere dokumenter ▶ side 5].

Innhold

1	Sikkerhetsanvisninger	4
1.1	Tiltenkt bruk.....	4
1.2	Misbruk.....	4
1.3	Generelle sikkerhetstiltak	4
1.4	Sikkerhetstiltak for drift i farlige områder	4
2	Innledning	5
2.1	PHD779 lavprofil-veieplattformer	5
2.2	Om denne brukerveiledningen.....	5
2.3	Ytterligere dokumenter.....	5
3	Drift	6
3.1	Sjekk plasseringen.....	6
3.2	Funksjonssjekk	6
3.3	Sjekk rampene	6
3.4	Drift av PHD779 Mobile.....	7
3.4.1	Omstilling til kjøremodus	8
3.4.2	Omstilling til veiemodus	8
3.5	Drift av PHD779 Liff	9
3.6	Viktige merknader.....	10
3.7	Installasjon, service og reparasjon	10
4	Vedlikehold	11
4.1	Regelmessig sjekk.....	11
4.1.1	PHD779 Static / PHD779 Liff	11
4.1.2	PHD779 Mobile.....	11
4.2	Merknader om rengjøring	12
4.3	Etterbehandling	13
4.4	Avfallshåndtering.....	13
5	Tekniske data og driftsgrenser	14
5.1	Maksimum verifiseringsvektintervall.....	14
5.2	Maksimum tillatt last	14
5.3	Omgivelsesbetingelser	14
5.4	Spesifikasjoner for kategori 3.....	14

METTLER TOLEDO Service

Gratulerer med valget av kvalitet og presisjon fra METTLER TOLEDO. Korrekt bruk av ditt nye utstyr i samsvar med denne veiledningen og regelmessig kalibrering og vedlikehold utført av vårt serviceteam som er lært opp ved fabrikken, sikrer pålitelig og nøyaktig drift, slik at investeringen din beskyttes. Kontakt oss om en serviceavtale skreddersydd dine behov og økonomi. Ytterligere informasjon er tilgjengelig på ► www.mt.com/service.

Det er flere viktige måter du kan sikre og optimere ytelsen av din investering på:

- 1 **Registrer ditt produkt:** Vi ber deg om å registrere ditt produkt på www.mt.com/productregistration slik at vi kan kontakte deg om forbedringer, oppdateringer og viktig informasjon vedrørende ditt produkt.
- 2 **Kontakt METTLER TOLEDO for service:** Verdien av en måling er proporsjonal med dens nøyaktighet – en vekt som er utenfor spesifikasjonene kan redusere kvaliteten, redusere profitten og øke ansvaret. Service i rett tid fra METTLER TOLEDO vil sikre nøyaktigheten og optimere driftstiden og utstyrets levetid.
 - ➔ **Installasjon, konfigurering, integrering og opplæring:** Våre servicerepresentanter er eksperter på veieutstyr, opplært ved fabrikken. Vi sikrer at ditt veieutstyr er klart for produksjon til rett tid på en kostnadseffektiv måte, og at personell blir opplært for gode resultater.
 - ➔ **Dokumentering av initiell kalibrering:** Installasjonsmiljøet og kravene til bruk er unike for enhver industriell vekt, slik at ytelsen må testes og sertifiseres. Våre kalibreringstjenester og sertifikater dokumenterer nøyaktigheten for å sikre produksjonskvalitet og gi en kvalitetssystem-ytelseslogging.
 - ➔ **Periodisk kalibreringsvedlikehold:** En kalibreringsserviceavtale gir vedvarende tiltro til din veieprosess og dokumenterer samsvar med kravene. Vi tilbyr et utvalg av serviceplaner som er tilpasset dine behov og ditt budsjett.

1 Sikkerhetsanvisninger

1.1 Tiltenkt bruk

PHD779 lavprofil-veieplattformer er en del av et modulært veiesystem som omfatter en METTLER TOLEDO veieindikator og minst én veieplattform.

- Bruk veieplattformen kun til veiing i samsvar med denne brukerveiledningen.
- Veieplattformen er kun ment for innendørs bruk.
- All annen bruk anses som ikke tiltenkt bruk.

Lovregulert måling

- Ved bruk til lovregulert måling må det bare benyttes godkjente veieplattformer.
- Ved bruk av veieplattformen til lovregulert måling er driftsselskapet ansvarlig for å overholde alle nasjonale krav til mål og vekt.
- Vennligst kontakt METTLER TOLEDO serviceorganisasjon når det gjelder spørsmål knyttet til bruk i lovlige handelsapplikasjoner.

1.2 Misbruk

- Ikke bruk veieplattformen til annet enn veieoperasjoner.
- Ikke utfør modifikasjoner på veieplattformen.
- Ikke bruk veieplattformen utover grensene i de tekniske spesifikasjonene.
- Ikke bruk veieplattformen til lagring av varer.
- Unngå å minste varer ned på veieplattformen.
- Ikke bruk veieplattformen i andre omgivelser eller kategorier enn det som er spesifisert i avsnitt [Tekniske data og driftsgrenser ▶ side 14].

1.3 Generelle sikkerhetstiltak

- Bruk bare ekte METTLER TOLEDO-tilbehør og -kabler sammen med dette produktet. Bruk av uautorisert eller forfalsket tilbehør eller kabler kan gjøre garantien ugyldig, føre til feil eller uegnet drift, forårsake materielle skader (inkludert skade på produktet) eller personskader.

1.4 Sikkerhetstiltak for drift i farlige områder

PHD779 lavprofil-veieplattformer er godkjent for farlige områder i kategori 3 (sone 2/22).

Driftsselskapet er ansvarlig for sikker drift av det eksplosjonssikrede veiesystemet.

- Følg sikkerhetsinstruksjonene fra driftsselskapet nøye.
- Følg alle nasjonale forskrifter for drift i farlige områder, og instruksjonene og informasjonen i denne brukerveiledningen.

2 Innledning

2.1 PHD779 lavprofil-veieplattformer

Denne brukerveiledningen omhandler produktene listet opp nedenfor. PHD779-produktfamilien består av ulike produktmodeller og en rekke produktalternativer.

Modeller:

- PHD779 Static
- PHD779 Lift
- PHD779 Mobile

Egenskaper:

- rustfritt stål
- glatt overflate
- egnet for våte omgivelser
- godkjent for kategori 3 (sone 2/22)

Tilgjengelige versjoner:

- ulike størrelser og med forskjellig kapasitet
- godkjent eller ikke-godkjent

2.2 Om denne brukerveiledningen

Denne brukerveiledningen inneholder all informasjon for **operatøren** av lavprofil-veieplattformene PHD779.

- Les denne brukerveiledningen grundig før bruk.
- Ta vare på denne brukerveiledningen for framtidig referanse.
- Legg ved denne brukerveiledningen til eventuelle framtidige eiere eller brukere av produktet.



2.3 Ytterligere dokumenter

I tillegg til denne trykte brukerveiledningen kan du laste ned følgende dokumenter fra ► <http://www.mt.com>:

- Brosjyre/datablad

Typegodkjenningsdokumenter for bruk i farlige områder

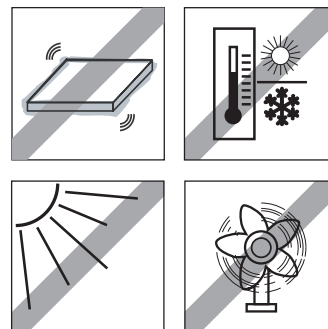
Mekanisk vurdering av veieplattformer i kategori 3	PHD779	BVS 23 ATEX H/B 018
Kategori 3 lastcelle	Lastcelle SLB615d	14ATEX0030X

3 Drift

3.1 Sjekke plasseringen

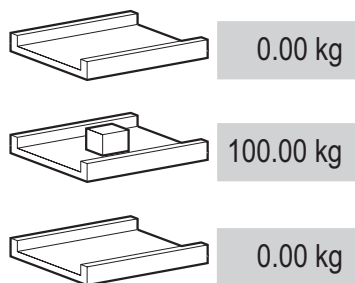
Riktig plassering er avgjørende for nøyaktigheten av veieresultatene.

- Sørg for at plasseringen av veieplattformen er stabil, vibrasjonsfri og horisontal.
- Overhold følgende krav til omgivelsene:
 - Ingen kraftige vibrasjoner
 - Ikke direkte solskinn
 - Ingen ekstreme temperatursvingninger
 - Ikke kraftig trekk



3.2 Funksjonssjekk

- 1 Forsikre deg om at veieplattformen er koblet til en veieterminal og at veieterminalen er slått på.
- 2 Forsikre deg om at veieplattformen er ubelastet og at displayet på veieterminalen viser 0.
- 3 Belast veieplattformen.
 - ➔ Indikatoren må vise en verdi forskjellig fra 0.
- 4 Avlast veieplattformen.
 - ➔ Indikatoren må gå tilbake til 0.

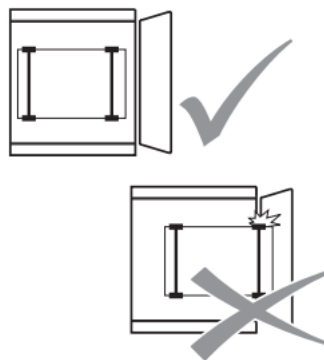


Godkjenningstest

For godkjenningstest, se brukerveiledningen for den tilkoblede veieterminalen. Hvis godkjenningsmerket er brutt, er godkjenningen ikke lenger gyldig.

3.3 Sjekke rampene

- 1 Kontroller at alle hjulene på transportkjøretøyet befinner seg på lastplaten under veiingen.
- 2 Forsikre deg om at åpningen mellom veieplattformen og rampen er uten smussavleiringer.



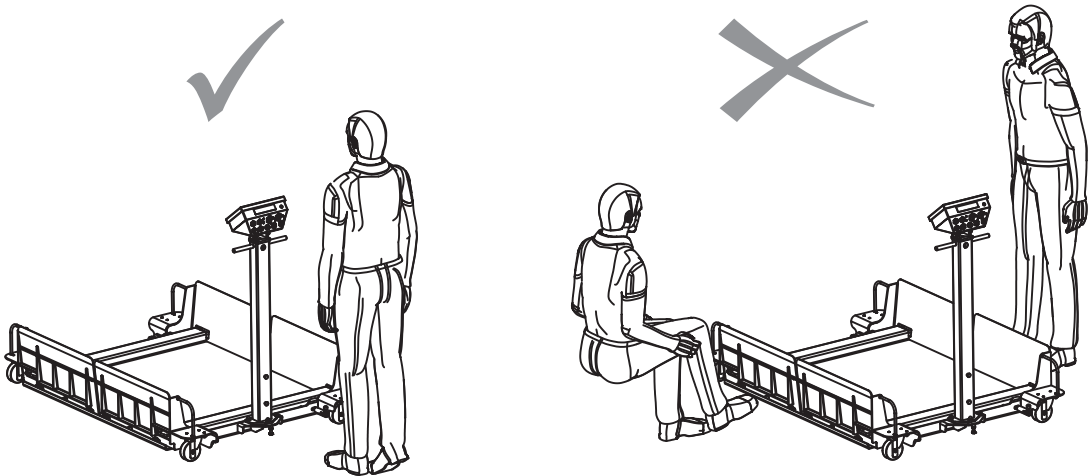
3.4 Drift av PHD779 Mobile



⚠ ADVARSEL

Klemfare

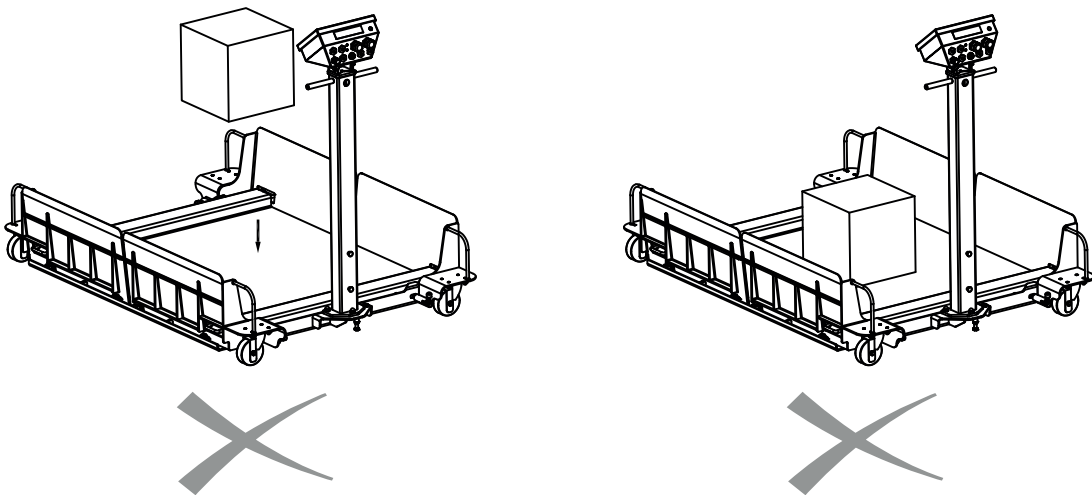
- 1 Kun kvalifisert personale skal betjene den mobile veieplattformen.
- 2 Betjen den mobile veieplattformen kun fra den ene siden.
- 3 Ikke stå på områder der rampene kan vippe ned.



⚠ FORSIKTIG

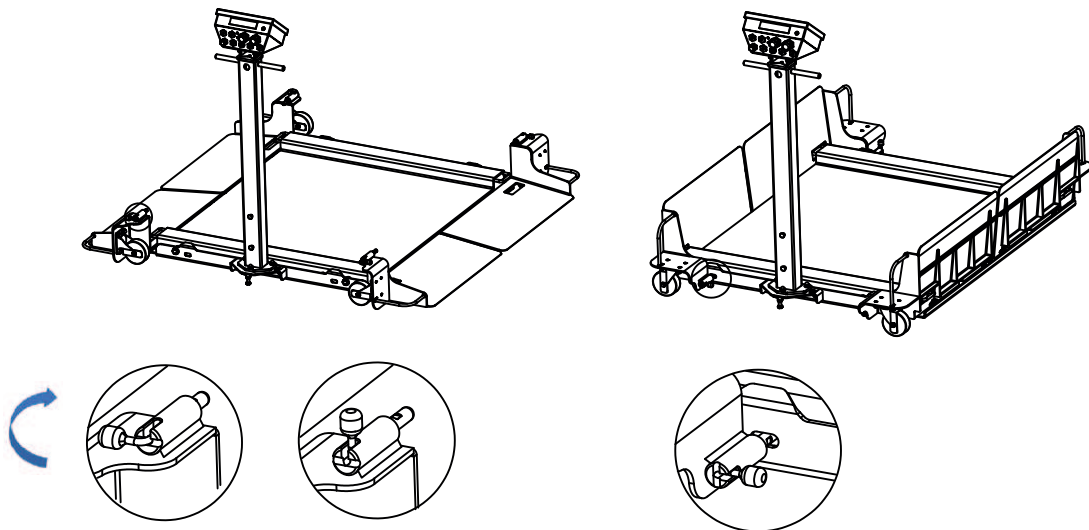
Skade på og/eller funksjonsfeil på veieplattformen

- 1 Veieprøver eller annen last er ikke tillatt på den mobile veieplattformen under kjøring.
- 2 Veieprøver eller annen last er ikke tillatt på den mobile veieplattformen når rampene er vippet opp.
- 3 Veieprøvene skal bare legges på i veiemodus.
- 4 Forsikre deg om at tilkoblingskabelen ikke berører gulvet.
- 5 Forsikre deg om at jordkabelen er koblet fra før du kjører veieplattformen i farlige omgivelser.
- 6 Bruk bare håndtaket på søylen til å kjøre veieplattformen.
- 7 Ikke kjør veieplattformen når det er personer på den.



3.4.1 Omstilling til kjøremodus

- 1 Drei låsebolten til vertikal retning fra horisontal retning.
- 2 Grip tak i håndtaket til rampen og vipp opp rampen.
- 3 Sett låsebolten inn i sporet på rammesiden.



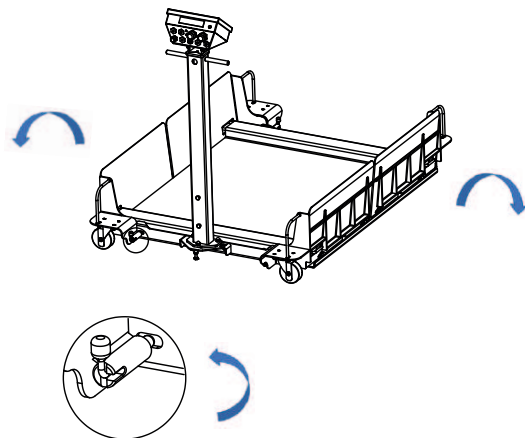
3.4.2 Omstilling til veiemodus

i Merknad

Før omstilling til veiemodus:

- Kontroller at gulvet er i vater $\pm 2,5$ mm.
- Kontroller at veieplattformen er i riktig posisjon.
- Kontroller at veieplattformen er i vater, og juster den ved behov.
- Ved bruk i farlige omgivelser må det kontrolleres at jordkabelen er tilkoblet før veieplattformen vates.

- 1 Flytt veieplattformen til det valgte stedet.
- 2 Trekk ut låsebolten. Drei låsebolten til vertikal retning.
- 3 Grip tak i håndtaket og vipp rampen forsiktig ned til den ligger flatt.



3.5 Drift av PHD779 Lift



⚠ ADVARSEL

Klemfare

- 1 Bare instruert personale skal betjene PHD779 Lift. Det anbefales å bruke vernehjelm og vernesko.
- 2 Ikke gå over løfterammen, for det kan være snublefare, og gassfjærene kan bli skadet.
- 3 Hev og senk plattformen kun fra den ene siden. Forsikre deg om at det ikke er noen personer i fareområdet foran eller under den åpne veiplattformen.



⚠ ADVARSEL

Svikt i gassfjærene

Selv små skader, korrosjon eller malingsflekker på stempelstangen kan føre til svikt i gassfjærene.

Temperaturer utenfor det spesifiserte temperaturområdet kan føre til svikt i gassfjærene.

- 1 Ikke bruk PHD779 Lift utenfor temperaturområdet på -10 °C til $+40\text{ °C}$.
- 2 Beskytt gassfjærene mot tilsmussing og skader.
- 3 Hvis skade eller tilsmussing oppdages, må løfterammen låses i sikker posisjon og METTLER TOLEDO Service må kontaktes for å kontrollere eller skifte ut gassfjærene.



⚠ FORSIKTIG

Tung veiplattform

- For sikker og ergonomisk løfting trengs det to personer til å løfte PHD779 Lift, særlig for plattformstørrelse 1500 x 1500 mm.

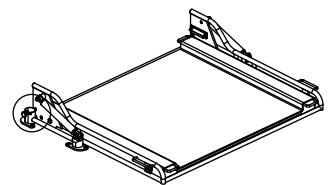
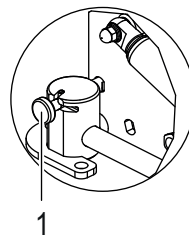
Normale løftekrefter

Normale løftekrefter for å åpne PHD779 Lift avhenger av plattformens størrelse og omgivelsestemperaturen. Jo lavere temperatur, desto større løftekrefter kreves det.

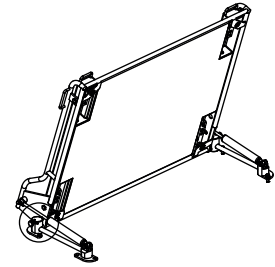
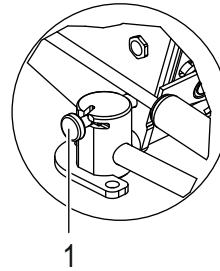
PHD779 Lift Plattformstørrelse	Normale løftekrefter	
	Omgivelsestemp. $>5\text{ °C}$	Omgivelsestemp. $\leq 5\text{ °C}$
650 x 650 mm ... 1250 x 1000 mm	$<15\text{ kg}$	$<20\text{ kg}$
1250 x 1250 mm ... 1500 x 1250 mm	$<20\text{ kg}$	$<25\text{ kg}$
1500 x 1500 mm	$<25\text{ kg}$	$<30\text{ kg}$

Prosedyre

- 1 Fjern fremre og bakke rampe. Lås opp låseboltene (1). For større plattformer er det i tillegg to låser foran føttene.
- 2 Stå på siden av rammen og løft plattformen oppover.
➔ De to boltene låses automatisk.
- 3 Kontroller at de to låseboltene faktisk går inn i låsehullene.



- 4 Lås opp låseboltene (1) og sving plattformen ned til den er horisontal. For større plattformer er det i tillegg to låser foran føttene.
- 5 Kontroller at låseboltene faktisk går inn i låsehullene.
- 6 Kontroller at løfterammen presses mot underlaget.



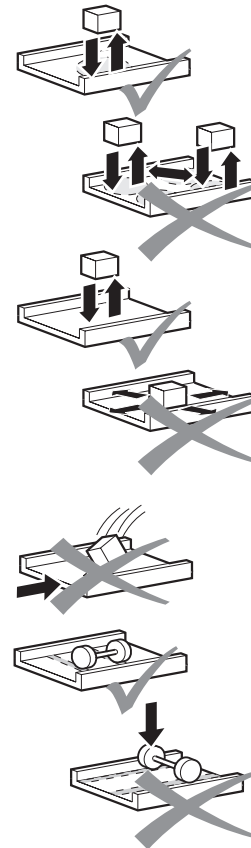
- 7 Tilbakestill rampene.



3.6 Viktige merknader

For å oppnå best mulige veieresultater, pass på følgende:

- Plasseres veieprøven midt på veieplattformen.
- Unngå prosesser som er abrasive og gir slitasje.
- Unngå fallende laster, støt og sideveis slag.
- Kontroller at akseltrykket ikke overskrider maksimal sidelast ved kjøring med palletrucker over forsenkede veieplattformer, se [Maksimum tillatt last ► side 14].



3.7 Installasjon, service og reparasjon

For installasjon, konfigurasjon, service og reparasjon av veieplattformene, kontakt METTLER TOLEDO service.

4 Vedlikehold

Vedlikehold av veieplattformen er begrenset til vanlig rengjøring og påfølgende smøring med olje for versjoner i rustfritt stål.

- Få en autorisert METTLER TOLEDO servicerepresentant til å inspisere og kalibrere veieplattformen med jevne mellomrom.
- Hvis veieplattformen brukes til kjøp og salg, må du kontakte tilsynsmyndighetene for mål og vekt angående minimum kontrollkrav.
- Kontakt nærmeste autoriserte METTLER TOLEDO servicerepresentant når det gjelder informasjon om periodisk kontroll og kalibreringsservice.

4.1 Regelmessig sjekk

- Kontroller veieplattformen jevnlig før bruk, se avsnittene under.

4.1.1 PHD779 Static / PHD779 Lift

- 1 Få plattformen til å svinge for å kontrollere at gyngeføttene sitter riktig og at ingenting stenger.
- 2 Forsikre deg om at alle hjørnene på rammen støttes opp og at plattformen ikke vipper.
- 3 Forsikre deg om at Home Run Cable-tilkoblingene ikke er løse.
- 4 Sjekk for avfall mellom plattform og ramme.



LES DETTE

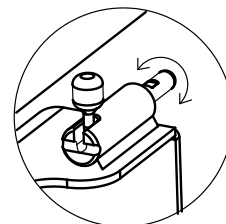
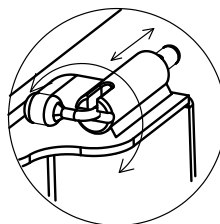
Service nødvendig

Ved gjentatte vibrasjoner ved åpning eller lukking av løfterammen eller hvis du merker avvik i løffekraften:

- 1 Ikke fortsett arbeidet.
- 2 Kontakt METTLER TOLEDO service.

4.1.2 PHD779 Mobile

- 1 Kontroller at låsebolten fungerer som den skal.
- 2 Forsikre deg om at låsebolten ikke er løs når den er låst.
- 3 Ved hyppig rengjøring må rullelagrene i de bevegelige hjulene smøres med langtidsfett.
- 4 Forsikre deg om at scrollehjulene ikke sitter fast.



i Merknad

Under normale bruksbetingelser er hjulene vedlikeholdsfrie.

4.2 Merknader om rengjøring



LES DETTE

Skader på veieplattformen på grunn av feil bruk av rengjøringsmidler

- 1 Bruk kun rengjøringsmidler som ikke påvirker plasten som brukes i veieplattformen.
- 2 Bruk kun desinfeksjonsmidler og rengjøringsmidler i samsvar med produsentens instruksjoner.
- 3 Bruk ikke svært sure, svært alkaliske eller svært klorholdige rengjøringsmidler. Unngå stoffer med høy eller lav pH-verdi, da de fører til økt fare for korrosjon.
- 4 Utvis spesiell forsiktighet ved rengjøring av lastcellen.



LES DETTE

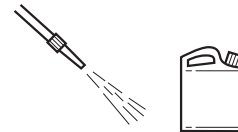
Spesielle merknader om rengjøring av PHD779 Lift

- 1 Ved bruk av vannstråle med en temperatur høyere enn 60 °C, må løfterammen minst avkjøles til en temperatur på 40 °C før arbeidet gjenopptas.
- 2 Bruk vernehjelm ved rengjøring av veieplattformen i loddrett stilling.
- 3 Forsikre deg om at rengjøringsmiddelet ikke forårsaker korrosjon på gassfjærene.
- 4 Rengjøringsmiddelet må ikke korrodere noen messingkomponenter på pakningene til gassfjærene.
- 5 Beskytt gassfjærene mot tilsmussing og skader.

- Fjern skitt og avleiringer på utsiden og innsiden av veieplattformen med jevne mellomrom. Fremgangsmåten avhenger både av type overflate og omgivelsesforholdene på installasjonsstedet.

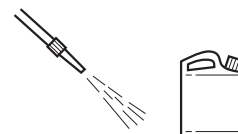
Rengjøring i våte omgivelser

- Bruk en vannstråle på opp til 80 °C og maksimum 8 bar, minimumsavstand 40 cm.
- Bruk milde rengjøringsmidler.



Rengjøring i korrosive omgivelser

- Bruk en vannstråle på opp til 80 °C og maksimum 8 bar, minimumsavstand 40 cm.
- Fjern korrosive stoffer regelmessig.
- Bruk kun desinfeksjonsmidler og rengjøringsmidler i samsvar med produsentens spesifikasjoner og instruksjoner.



4.3 Etterbehandling

For å beskytte veieplattformen, utfør følgende etterbehandling:

- Skyll veieplattformen med rent vann og fjern alt rengjøringsmiddel fullstendig.
- Tørk av veieplattformen med en lufri klut.
- Veieplattformer av rustfritt stål behandles utvendig med næringsmiddelolje.



4.4 Avfallshåndtering

In conformance with the European Directive 2012/19/EU on Waste Electrical and Electronic Equipment (WEEE) this device may not be disposed of in domestic waste. This also applies to countries outside the EU, per their specific requirements.

Please dispose of this product in accordance with local regulations at the collecting point specified for electrical and electronic equipment. If you have any questions, please contact the responsible authority or the distributor from which you purchased this device. Should this device be passed on to other parties, the content of this regulation must also be related.



Avhending av gassfjærer

Skadde gassfjærer må skiftes ut.



ADVARSEL

Gassfjærene er under svært høyt trykk.

- Kontakt METTLER TOLEDO Service eller din lokale salgsrepresentant for å få skiftet ut og avhendet skadde gassfjærer.

5 Tekniske data og driftsgrenser

5.1 Maksimum verifiseringsvektintervall

Verifiseringsvektintervallet avhenger av konfigurasjonen til lastcellen og vekten.

Maksimum verifiseringsvektintervall er angitt nedenfor.

Kapasitet	Maksimum verifiseringsvektintervall i [kg]				
	1 x 3.000e SR	1 x 6.000e SR	2 x 3.000e MR	2 x 6.000e MR	2 x 10.000e MR
300 kg	0,1	0,05	150 kg / 0,05 300 kg / 0,1	120 kg / 0,02 300 kg / 0,05	200 kg / 0,02 300 kg / 0,05
600 kg	0,2	0,1	300 kg / 0,1 600 kg / 0,2	300 kg / 0,05 600 kg / 0,1	500 kg / 0,05 600 kg / 0,1
1200 kg	–	0,2	–	600 kg / 0,1 1200 kg / 0,2	–
1500 kg	0,5	–	600 kg / 0,2 1500 kg / 0,5	–	1000 kg / 0,1 1500 kg / 0,2
2000 kg	1,0 (2,000 e)	0,5	1500 kg / 0,5 2000 kg / 1,0	1200 kg / 0,2 2000 kg / 0,5	1000 kg / 0,1 2000 kg / 0,2

SR: Single Range

MR: Multi Range

5.2 Maksimum tillatt last

Alle veieplattformer er utstyrt med en overbelastningsbeskyttelse. Hvis belastningen overskrider den maksimale tillatte lasten, kan det likevel oppstå skader på mekaniske deler.

Den statiske lasteevnen, dvs. maksimum tillatt last, er avhengig av type belastning (posisjonene A – C).

Plattform	Posisjon			
	A	B	C	
PHD779 300	880 kg	440 kg	220 kg	
PHD779 600	2540 kg	1270 kg	635 kg	
PHD779 1200	2540 kg	1270 kg	635 kg	
PHD779 1500	5280 kg	2640 kg	1320 kg	
PHD779 2000	5280 kg	2640 kg	1320 kg	

5.3 Omgivelsesbetingelser

Veieplattformen skal bare brukes i området –10 °C til +40 °C.

5.4 Spesifikasjoner for kategori 3

Du finner spesifikasjonen for kategori 3 i de tilhørende typegodkjenningsdokumentene, se tabell i [Ytterligere dokumenter ▶ side 5].

To protect your product's future:

METTLER TOLEDO Service assures the quality, measuring accuracy and preservation of value of this product for years to come.

Please request full details about our attractive terms of service.

► www.mt.com/service

www.mt.com

For more information

Mettler-Toledo (Albstadt) GmbH

Unter dem Malesfelsen 34
D-72458 Albstadt, Germany
Tel. +49 7431-14 0
Fax +49 7431-14 232
www.mt.com

Subject to technical changes.
© 05/2023 METTLER TOLEDO. All rights reserved.
30845759A NEU



30845759