

# Smart Paint Scales



## **RPA455 Refinish Scale**

- Intuitive User Interface
- Modular and Adaptable
- Flexible Connectivity
- Formula Management
- Proven Compliance



**Smart and Simple Weighing**  
For the Automotive Refinish Market

**METTLER TOLEDO**



## PaintPerfect – Smart Paint Scale For Consistent Paint Mix Quality

The RPA455 is a family of smart paint scales from METTLER TOLEDO designed for the automotive refinish market. This solution brings a new level of comfort and functionality into the automotive body shop.

Its intuitive and easy to use interface helps to increase productivity and reduce processing time, and offers USB and Ethernet compatibility for flexible and fast connectivity. The RPA455 features a modular design, allowing for flexible placement of components to optimize ergonomic positioning. The display can be mounted on a column, wall or placed on desk. You can also connect the display directly to a PC with your mix software, controlling the formula and process from the computer.



### 5 Reasons to Choose RPA455



#### 1. Intuitive User Interface

The user friendly interface offers a bigger display with TFT (Thin Film Transistor) color touchscreen for easy viewing of mix information and alerts. This allows customers to effortlessly manage formulas with guided processes, eliminating potential errors.



#### 2. Modular and Adaptable

The modular design provides complete flexibility to build your ideal configuration. Select your required components and benefit from flexible placement, resulting in reduced total cost to setup your solution.



#### 3. Flexible Connectivity

The standard USB communication port can easily be upgraded to Ethernet, enabling communication to the network or cloud server for painless data transfer.



#### 4. Formula Management

Formulas can be stored directly in the scale, enabling the management of the entire mix process from your workstation. This frees up your computer and reduces the risk of communication errors in the mixing process.



#### 5. Proven Compliance

Ensure consistent paint mix quality across operations with globally compliant hazardous solutions. Achieve high levels of accuracy even in hazardous zones without compromising safety.

# Integrated Formula Management

## 4 Simple Steps to Mix Your Paints



### Step 1



#### Select a Formula, Enter the Amount

Formulas or jobs can be written into the scale via USB or Network in advance. Start mixing by selecting the formula and entering your target amount. In addition, formula ingredients are also visible during the operation.

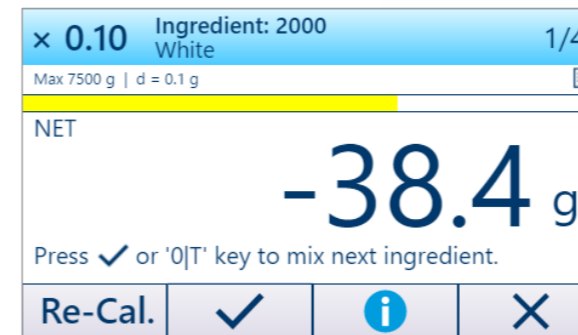
### Step 2



#### Start Mixing the Formula

The scale will prompt the operator to place the container onto the weighing platter and press OIT to tare, then the mixing process can be started.

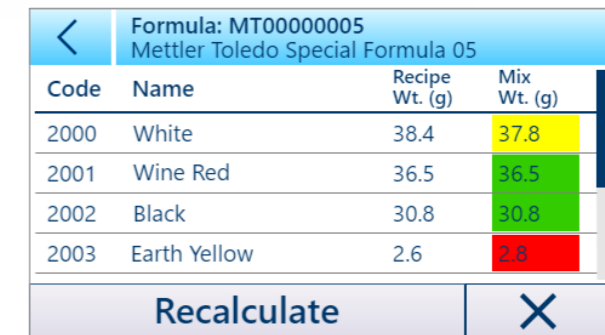
### Step 3



#### Mix in Each Ingredient

Each ingredient will appear on the screen along with the amount the operator should pour. A yellow bar graph indicates the required amount is not yet reached. A green bar graph indicates the required amount is within tolerance. A red bar graph indicates the amount required has been exceeded.

### Step 4



#### Finish Your Mix

The mixing result will be shown at the end of the formulation process. A recalculation functionality is available when any ingredient has been under or over poured. This protects the operation from the cost associated with bad batches and waste by enabling easy mix correction.



## More Internal Applications



#### Calculation by Factor

Function to help avoid calculation efforts when the required paint mixing amount is different than the standard. Select factor from 0.1 up to 7.0 times of the formula.



#### Mixing without Formula

Function which allows you to process a mix with detailed guidance when there is no locally saved formula in the scale.



#### Formula Management

The scale allows you to store up to 30 formulas that can be easily retrieved and processed. Formulas can be created, saved, or edited.

## Technical Data

### Metrological Data

Capacity	7500 g / 999.95 g
Readability	0.1 g / 0.05 g
Tare range	-7500 g
Ambient temperature range	0 ~ 40 / 32 ~ 104
Power-on zero range	± 750 g

### Dimensions / Weight

Weighing platter	234 mm
Housing (WxDxH)	234 × 309 × 365 mm
Scale net weight	Approx. 3.3 kg

### Display / Language

Display (Keyboard)	Colorful TFT LCD Capacitive Touch Screen
Language	English, Chinese, German, French, Spanish, Portuguese

### Power Supply

Power supply	USB 2.0 or higher, or AC adapter PSAI05R-050QL6
Input voltage / Power consumption	5 VDC / 5 W
USB power and data barrier	Energy limiting unit included

### Interface Connection

USB and Ethernet optional (USB power and data barrier) or USB (power and data cable)
--

### IP / Overvoltage / Pollution

IP protection	IP40 in accordance with EN 60529/IEC 60529
Overvoltage degree	II
Pollution degree	II

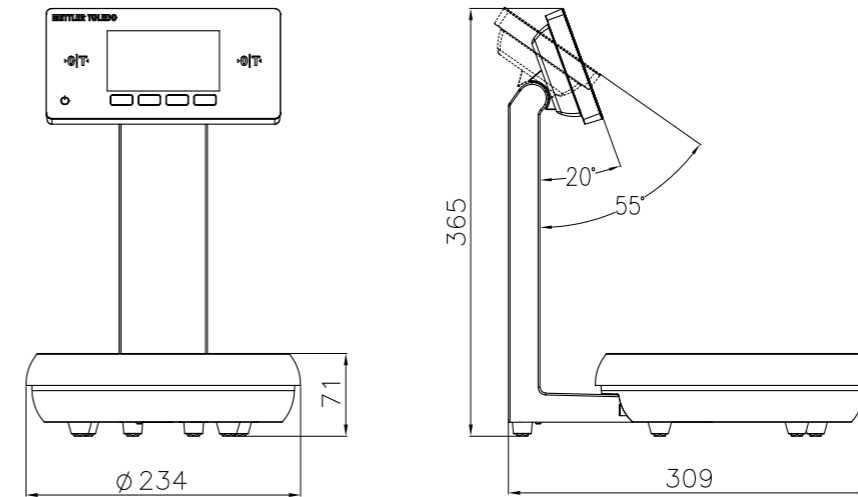
### Models / Application Area / Hazardous Area Approvals

Model	Application Area	Non-hazardous area	
RPA455		Non-hazardous area	
RPA455x	Ex zone 1 / Class I, Div. 1	IECEX	Ex ib IIB T4 Gb
		ATEX	II 2G Ex ib IIB T4 Gb
		FM (USA / CAN)	IS CL I, Div 1, GP C, D T4 CL I, Zone 1, AEx / Ex ib IIB T4 Gb
RPA455xx	Ex zone 2	IECEX	Ex ic IIB T4 Gc
		ATEX	II 3G Ex ic IIB T4 Gc

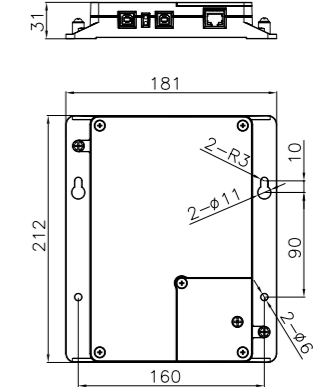


## Dimensional Drawings (mm)

### Scale



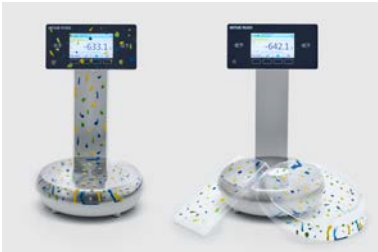
### USB Power and Data Barrier



## Accessories

Order Number	Description	
<b>Protective Covers</b>		
30470150	Protective cover for display (pack of 10)	
30470151	Protective cover for column (pack of 10)	
30470152	Protective cover for platter (pack of 10)	
<b>Power Supply</b>		
30098591	USB Power adapter PSAI05R-050QL6	
46001774	AC-adapter plug (EU, BR)	
46001775	AC-adapter plug (AU)	
46001776	AC-adapter plug (US, CN)	
46001777	AC-adapter plug (UK)	
<b>Cables</b>		
30570792	Cable Power w/o Data USB-A to RJ45, 3 m	
30570958	Cable Power and Data USB-A to RJ45, 3 m	
30570793	ACPS455xx Cable Power and Data, 10 m	
30570794	ACPS455xx Cable Power and Data, 3 m	
64057361	Cable USB-A to USB-B, 3m	
30570795	Cable Power w/o Data RJ45 to RJ45, 10 m	
30570796	Cable Power w/o Data RJ45 to RJ45, 20 m	
<b>Weighing Platter</b>		
30570797	Weighing platter RPA455	

# We Considered Every Detail To Make Your Job Easier



## Easy to Clean

Protective covers for the display, column and weighing platter, enable easy cleaning of the scale, protecting your investment.



## Easy Installation

The PaintPerfect is equipped with a uniquely hidden routed channel that protects the power and communication cable from damage. Making installation and daily use easy and safe.



## Dual Zero/Tare Buttons

Two strategically located Zero/Tare buttons enable easy operation for right or left-handed operators, reducing the possibility of blocking the screen during the mix process.

[www.mt.com/ind-paint-mixing-scale](http://www.mt.com/ind-paint-mixing-scale)

For more information

### METTLER TOLEDO Group

Industrial Division

Local contact: [www.mt.com/contacts](http://www.mt.com/contacts)



Subject to technical changes

©01/2020 METTLER TOLEDO. All rights reserved

Document No. 30467106 A

MarCom Industrial

