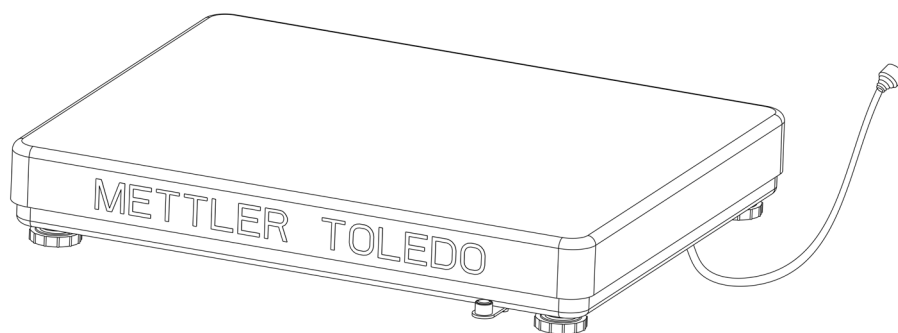


# PBA655 / PBA655x

## Weighing platforms



**METTLER TOLEDO**

# Contents

<b>English .....</b>	<b>3</b>
<b>Svenska .....</b>	<b>14</b>
<b>Dansk .....</b>	<b>25</b>
<b>Norsk .....</b>	<b>36</b>

## English (Original instructions)

# METTLER TOLEDO Service

Congratulations on choosing the quality and precision of METTLER TOLEDO. Proper use of your new equipment according to this User manual and regular calibration and maintenance by our factory-trained service team ensures dependable and accurate operation, protecting your investment. Contact us about a service agreement tailored to your needs and budget. Further information is available at [www.mt.com/service](http://www.mt.com/service).

There are several important ways to ensure you maximize the performance of your investment:

1. **Register your product:** We invite you to register your product at [www.mt.com/productregistration](http://www.mt.com/productregistration) so we can contact you about enhancements, updates and important notifications concerning your product.
2. **Contact METTLER TOLEDO for service:** The value of a measurement is proportional to its accuracy – an out of specification scale can diminish quality, reduce profits and increase liability. Timely service from METTLER TOLEDO will ensure accuracy and optimize uptime and equipment life.
  - **Installation, Configuration, Integration and Training:**  
Our service representatives are factory-trained weighing equipment experts. We make certain that your weighing equipment is ready for production in a cost effective and timely fashion and that personnel are trained for success.
  - **Initial Calibration Documentation:**  
The installation environment and application requirements are unique for every industrial scale so performance must be tested and certified. Our calibration services and certificates document accuracy to ensure production quality and provide a quality system record of performance.
  - **Periodic Calibration Maintenance:**  
A Calibration Service Agreement provides on-going confidence in your weighing process and documentation of compliance with requirements. We offer a variety of service plans that are scheduled to meet your needs and designed to fit your budget.

# PBA655 / PBA655x weighing platforms

<b>1</b>	<b>Safety instructions</b> .....	<b>5</b>
1.1	Intended use .....	5
1.2	Misuse.....	5
1.3	Safety precautions .....	5
<b>2</b>	<b>Introduction</b> .....	<b>6</b>
2.1	PBA655 / PBA655x weighing platforms .....	6
2.2	About this user manual.....	6
2.3	Further documents .....	6
<b>3</b>	<b>Installation and operation</b> .....	<b>7</b>
3.1	Checking the location .....	7
3.2	Connecting the PBA655(x) weighing platforms to the weighing terminal .....	7
3.3	Leveling .....	7
3.4	Equipotential bonding (PBA655x) .....	8
3.5	Checking the weighing platform.....	9
3.6	Important notes .....	9
3.7	Installation, configuration, service and repair .....	9
<b>4</b>	<b>Maintenance</b> .....	<b>10</b>
4.1	Notes on cleaning .....	10
4.2	Disposal .....	10
<b>5</b>	<b>Technical data and operating limits</b> .....	<b>11</b>
5.1	Verification scale intervals.....	11
5.2	Maximum permissible load.....	11
5.3	Technical data of the load cell .....	12
5.4	Dimensions.....	12
5.5	Accessories.....	13

# 1 Safety instructions

## 1.1 Intended use

PBA655 / PBA655x weighing platforms are part of a modular weighing system consisting of a METTLER TOLEDO weighing terminal as indicator and at least one weighing platform.

- Use the weighing platform only for weighing in accordance with this User manual.
- The weighing platform is intended for indoor use only.
- Only the PBA655x weighing platform is suitable for use in hazardous environment as specified below.
- Any other type of use is considered as not intended.

### Legal metrology

- For use in legal metrology only use approved weighing platforms.
- When using in legal metrology, the operating company is responsible for observing all the national weights & measurements requirements.
- Please contact the METTLER TOLEDO Service organization for questions related to the use in legal for trade applications.

## 1.2 Misuse

- ▲ Do not use the weighing platform other than for weighing operations.
- ▲ Do not use the weighing platform in another environment than specified in section 2.1.
- ▲ Do not modify the weighing platform.
- ▲ Do not use the weighing platform beyond the limits of technical specifications.
- ▲ Do not use the weighing platform for storing goods.
- ▲ Avoid falling goods on the weighing platform.
- ▲ Do not use the weighing platform in hazardous environments.

## 1.3 Safety precautions

- ▲ Only personnel trained and qualified by METTLER TOLEDO may install and maintain the weighing platform.
- ▲ Be careful when transporting or lifting heavy devices.
- ▲ Always disconnect the weighing platform from the power source before installing, servicing, cleaning or performing maintenance.
- ▲ The connection cable may not be disconnected from the weighing terminal while energized.
- ▲ The explosion-protected weighing platforms PBA655x are approved for operation in the following hazardous areas: FM IS / Class I, II, III Div. 1 / ABCDEFG / T4.
- ▲ There is an increased risk of injury and damage when the weighing platforms are used in hazardous areas! Special care must be taken when working in such areas.
- ▲ In case of the PBA655x weighing platform only use cable glands that are suitable and approved for hazardous areas for inserting the weighing cell cable into the service terminal.

- ▲ Explosion-protected weighing platforms may only be used in hazardous areas in conjunction with weighing terminals with the appropriate approval and interface specification.
- ▲ Make sure the weighing platform has reached room temperature before switching on the power supply.

## 2 Introduction

### 2.1 PBA655 / PBA655x weighing platforms

This user manual focuses on the products PBA655 / PBA655x.

These weighing platforms are available in various sizes and capacities to fit your requirements. The weighing platforms are approvable and offer the following design features:



Type	Load plate material	Scale frame material	Load cell design	Environment IP Protection	Hazardous approval
<b>PBA655</b>	Brushed stainless steel (AISI304)	Powder coated, carbon steel	Aluminum potted	Dry IP65	-
<b>PBA655x</b>	Brushed stainless steel (AISI304)	Powder coated, carbon steel	Aluminum potted	Dry IP65	Category 1/2 gas and dust

### 2.2 About this user manual

This user manual contains all information for the operator of the PBA655/PBA655x weighing platforms series.

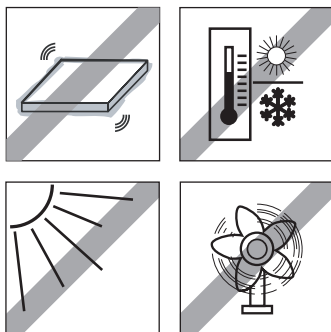
- Read this User manual carefully before use.
- Keep this User manual for future reference.
- Pass this User manual to any future owner or user of the product.

### 2.3 Further documents

- In addition to this printed User manual you can download the following documents from [www.mt.com](http://www.mt.com):
  - Brochure

## 3 Installation and operation

### 3.1 Checking the location



The correct location is crucial for the accuracy of the weighing results.

1. Ensure that the location of the weighing platform is stable, vibration-free and horizontal.
2. The surface must be able to bear the weighing platform under maximum load at the points of support.
3. Observe the following environmental conditions:
  - No wet and/or corrosive environments
  - No direct sunshine
  - No strong draught or vibration
  - No excessive temperature fluctuations
  - Temperature range  $-10\text{ °C}$  to  $+40\text{ °C}$  /  $14\text{ °F}$  to  $104\text{ °F}$

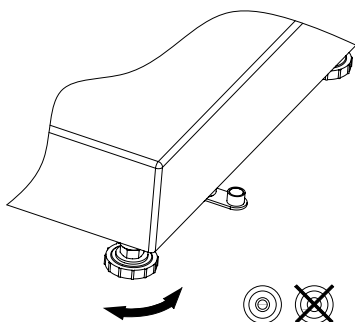
### 3.2 Connecting the PBA655(x) weighing platforms to the weighing terminal

The PBA655(x) weighing platforms are designed for use with digital METTLER TOLEDO weighing terminals.

1. Connect the digital weighing platform cable with the 6-pin M12 connector to the weighing terminal.
2. Connect the weighing platform cable to the 7-pin terminal strip of the weighing terminal according to the following table.

PBA655-.../PBA655x-...	
Terminal	Color
EXC+	green
EXC-	black
SIG+	white
SIG-	red
SEN+	blue
SEN-	brown

### 3.3 Leveling



Only a weighing platform which is aligned exactly horizontally supplies exact weighing results. The weighing platform has to be leveled during the initial installation and whenever its location is changed.

1. Turn the adjustable feet of the weighing platform until the air bubble of the spirit level is positioned in the inner circle.
2. Tighten the lock nuts of the adjustable feet.

### 3.4 Equipotential bonding (PBA655x)

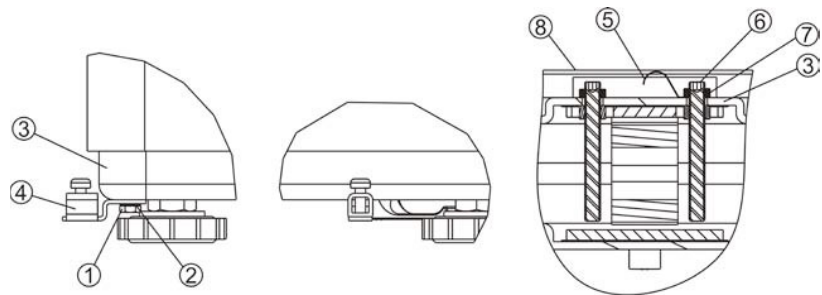
The equipotential bonding for the PBA655x weighing platforms is mounted in the factory. The wiring must be installed by a professional electrician on customer site. METTLER TOLEDO Service only has a monitoring and consulting function here.

Connect equipotential bonding (PA) of all devices (weighing platform and weighing terminal) in accordance with the country-specific regulations and standards. In the process, make sure that all device housings are connected to the same potential via the PA terminal.

#### Note:

The equipment is protected against electric shock acc. IEC60950, class II.

#### PBA655x-A/BB/B



- (1) Hexagonal bolt GB5783 M4X8-SS (2) WAS GB861.1 4
- (2) WAS GB861.1 4
- (3) Base frame
- (4) Equipotential bonding terminal
- (5) Ex Spring WS (6) Overload Screw (7) Overload Nut (8) Platter

#### PBA655x-BC/CC



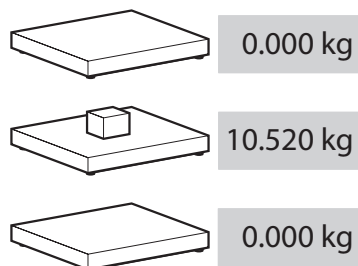
- (1) Hexagonal bolt GB5783 M4X8-SS (2) WAS GB861.1 4
- (3) Base frame
- (4) Equipotential bonding terminal
- (5) Ex Spring WS
- (6) Screw GB67 M6x8-Zn.D



### 3.5 Checking the weighing platform

#### Function check

Before starting a weighing series, perform a function check of the weighing platform and the connected weighing terminal.



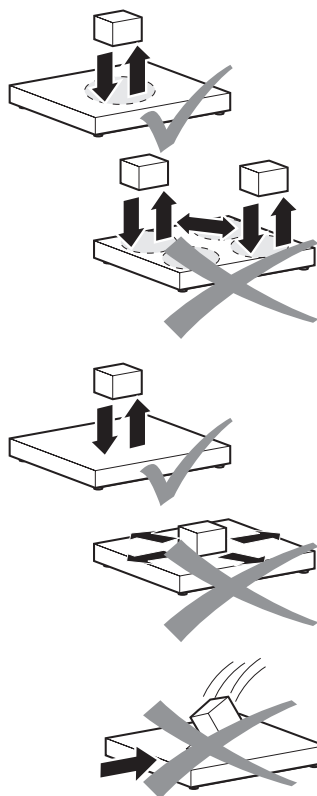
1. Make sure that the weighing platform is connected to a weighing terminal and that the weighing terminal is switched on.
2. Make sure that the weighing platform is unloaded and the display of the weighing terminal shows 0.
3. Load the weighing platform. The display must show a value different from 0.
4. Unload the weighing platform. The display must return to 0.

#### Verification test

For a verification test refer to the user manual of the connected weighing terminal. If the verification seal is broken, verification is no longer valid.

### 3.6 Important notes

For best weighing results observe the following:



- ▲ To achieve best weighing results, always place the weighing sample on the same position on the scale.

- ▲ Avoid abrasive and wear processes.

- ▲ Avoid falling loads, shocks and lateral impacts.

### 3.7 Installation, configuration, service and repair

- For installation, configuration, service and repair of the weighing platforms call the METTLER TOLEDO Service.

# 4 Maintenance

## 4.1 Notes on cleaning

---

### NOTICE

#### Damage to the weighing platform due to incorrect use of cleaning agents.

- ▲ Only use disinfectants and cleaning agents in accordance with the manufacturer's instructions.
  - ▲ Do not use highly acidic, highly alkaline or highly chlorinated cleaning agents. Avoid substances with a high or low pH value since increased danger of corrosion otherwise exists.
  - ▲ Do not use high-pressure cleaners
- 



### Cleaning procedure

- Take off the load plate and remove any dirt and foreign substances which may have collected underneath it.
- Do not use any hard objects to do so.
- Do not disassemble the weighing platform.
- Clean the weighing platform with a soft cloth soaked with a mild cleaning agent.

## 4.2 Disposal



In conformance with the European Directive 2002/96 EC on Waste Electrical and Electronic Equipment (WEEE), this device may not be disposed of with domestic waste. This also applies to countries outside the EU, according to their specific requirements.

- Please dispose of this product in accordance with local regulations at the collecting point specified for electrical and electronic equipment.

## 5 Technical data and operating limits

### 5.1 Verification scale intervals

The verification scale intervals according to OIML and NTEP of the weighing platforms of the PBA655- / PBA655x-series are given below.

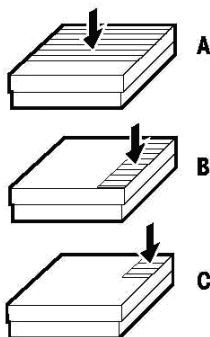
Verification scale interval [e] / OIML	Capacity						
	6 kg	12 kg	30 kg	60 kg	120 kg	300 kg	600 kg
1 x 6000 e Single Range	1 g	2 g	5 g	10 g	20 g	50 g	100 g / 200 g* NA*

Verification scale interval [d] / NTEP	Capacity						
	10 lb	20 lb	50 lb	100 lb	200 lb	500 lb	1'000 lb
1 x 10'000 d Single Range	0.001 lb	0.002 lb	0.005 lb	0.01 lb	0.02 lb	0.05 lb	NA*

\* not NTEP approved / OIML 2 x 3000 e MR

### 5.2 Maximum permissible load

All weighing platforms are equipped with an overload protection. With the robust scale design you can occasionally exceed the rated capacity of the platform without damage. The maximum static safe load must never be exceeded.



→ Observe the following operation limits.

Model	A – center load	B – side load	C – corner load
<b>PBA655(x)-A...</b>	40 kg / 80 lb	30 kg / 60 lb	15 kg / 30 lb
<b>PBA655(x)-BB...</b>	100 kg / 200 lb	70 kg / 140 lb	35 kg / 70 lb
<b>PBA655(x)-B...</b>	200 kg / 400 lb	140 kg / 280 lb	75 kg / 150 lb
<b>PBA655(x)-BC...</b>	400 kg / 800 lb	300 kg / 600 lb	150 kg / 300 lb
<b>PBA655(x)-CC...</b>	700 kg / 1500 lb	400 kg / 800 lb	200 kg / 400 lb

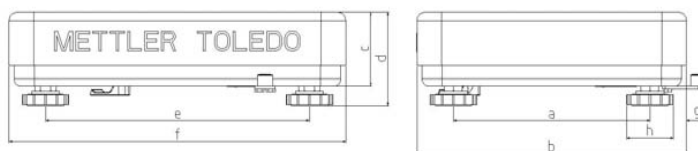
### 5.3 Technical data of the load cell

<b>Sensitivity</b>	2 mV/V +/- 0.2 mV/V
<b>Input resistance</b>	415 Ω +/- 15 Ω
<b>Output resistance</b>	350 Ω +/- 3 Ω
<b>Supply voltage</b>	Recommended: 10 V DC/AC Maximum: 15 V DC/AC
<b>Approval</b>	OIML / NTEP / FM
<b>Ignition protection type</b>	FM IS / I, II, III / 1 / ABCDEFG / T4 Ta=40°C
<b>IP protection type</b>	IP65

### 5.4 Dimensions

Front View

Side View



Dimension		PBA655(x)-							
		a	b	c	d	e	f	g	h
<b>A...</b>	mm	175	240	62	80	235	300	22	42
	"	6.89	9.45	2.44	3.15	9.25	7.87	0.83	1.65
<b>BB...</b>	mm	235	300	66	86	335	400	22	42
	"	9.25	11.81	2.60	3.39	13.18	15.74	0.83	1.65
<b>B...</b>	mm	335	400	66	86	436	500	22	42
	"	13.18	15.74	2.60	3.39	17.17	19.68	0.83	1.65
<b>BC...</b>	mm	435	500	85	110	587	650	22	42
	"	17.13	19.69	3.35	4.33	23.11	25.59	0.83	1.65
<b>CC...</b>	mm	503	600	97	120	724	800	22	42
	"	19.80	23.62	3.82	4.72	28.5	31.50	0.83	1.65

## 5.5 Accessories

Designation	Order No.
<b>Columns *</b>	
Column, carbon steel, 330 mm / 13" high	72 198 699
Column, carbon steel, 660 mm / 26" high	72 198 700
Column, carbon steel, 900 mm / 35.4" high	72 198 701
Column, stainless steel, 120 mm / 4.7" high	72 229 393
Column, stainless steel, 330 mm / 13" high	72 198 702
Column, stainless steel, 660 mm / 26" high	72 198 703
Column, stainless steel, 900 mm / 35.4" high	72 198 689
Floor stand, painted carbon steel, 1.000 mm / 40" high	22 023 451
Floor stand, stainless steel, 1.000 mm / 40" high	22 023 503
Free standing carbon steel base plate	00 503 700
Free standing stainless steel base plate	00 503 701
<b>Stands and carts</b>	
Wheeled bench stand, painted carbon steel, for B-size weighing platforms	00 503 631
Wheeled bench stand, painted carbon steel, for CC-size weighing platforms	00 504 853
Wheeled bench stand, stainless steel, for B-size weighing platforms	00 503 632
Wheeled bench stand, stainless steel, for CC-size weighing platforms	00 504 854
Support for wheeled bench stand, painted carbon steel	22 023 460
Cart, carbon steel, for BC-size weighing platforms	72 198 696
Cart, carbon steel, for CC-size weighing platforms	72 198 697
<b>Special tops, painted carbon steel frames</b>	
Roller top, galvanized rollers, for B-size weighing platforms	72 198 705
Roller top, galvanized rollers, for BC-size weighing platforms	72 198 707
Roller top, galvanized rollers, for CC-size weighing platforms	72 198 709
Ball top, for B-size weighing platforms	72 198 691
Ball top, for BC-size weighing platforms	72 198 692
Ball top, for CC-size weighing platforms	72 198 693
<b>Connectivity</b>	
Extension cable, 10 m	00 504 134
Connection set for ID terminal	00 504 133
Special cable on reel, 100 m	00 504 177

\* Terminal brackets are not included. Please see terminal brochure.

## Svenska (Översättning)

# METTLER TOLEDO service

Gratulerar till valet av kvaliteten och precisionen hos METTLER TOLEDO. Korrekt användning av din nya utrustning enligt denna Bruksanvisning och regelbunden kalibrering och underhåll av vårt fabriksutbildade serviceteam säkerställer tillförlitlig och exakt drift för att skydda din investering. Kontakta oss för ett serviceavtal skräddarsytt till dina behov och din budget. Mer information finns på [www.mt.com/service](http://www.mt.com/service).

Det finns flera viktiga sätt att säkerställa att du maximerar prestandan på din investering:

1. **Registrera din produkt:** Du kan registrera produkten på [www.mt.com/productregistration](http://www.mt.com/productregistration) så att vi kan kontakta dig om förbättringar, uppdateringar och viktiga aviseringar gällande din produkt.
2. **Kontakta METTLER TOLEDO för service:** Värdet på ett mått är proportionellt till dess exakthet – en våg som inte följer specifikationerna kan försämra kvaliteten, minska nyttan och öka bördan. Service i rätt tid från METTLER TOLEDO säkerställer exaktheten och optimerar klartid och utrustningens livslängd.
  - **Installation, konfiguration, integration och utbildning:**  
Våra servicerepresentanter är fabriksutbildade experter för vägningsutrustning. Vi säkerställer att din vägningsutrustning är produktionsklar på ett kostnadseffektivt och tidsenligt sätt och att vår personal är utbildad för framgång.
  - **Dokumentation för första kalibrering:**  
Installationsmiljön och applikationskraven är unika för varje industrivåg, så prestandan måste testas och certifieras. Våra kalibreringstjänster och certifikat dokumenterar exakthet för att säkerställa produktionskvalitet och tillhandahålla ett kvalitetssystem med topprestanda.
  - **Periodiskt kalibreringsunderhåll:**  
Ett serviceavtal för kalibrering ger ständig tillförsikt i vägningsprocessen och dokumentation för överensstämmelse med kraven. Vi erbjuder en mångfald av serviceplaner som är utformade för att uppfylla dina behov och passa med din budget.

# PBA655 / PBA655x-vägningsplattformar

<b>1</b>	<b>Säkerhetsinstruktioner</b> .....	<b>16</b>
1.1	Avsedd användning .....	16
1.2	Felaktig användning .....	16
1.3	Säkerhetsåtgärder .....	16
<b>2</b>	<b>Inledning</b> .....	<b>17</b>
2.1	PBA655 / PBA655x-vägningsplattformar .....	17
2.2	Om denna Bruksanvisning .....	17
2.3	Ytterligare dokument .....	17
<b>3</b>	<b>Installation och drift</b> .....	<b>18</b>
3.1	Kontroll av platsen .....	18
3.2	Ansluta PBA655(x)-vägningsplattformarna till vägningsterminalen .....	18
3.3	Nivellering .....	18
3.4	Potentialutjämnning (PBA655x) .....	19
3.5	Kontrollera vägningsplattformen .....	20
3.6	Viktiga anmärkningar .....	20
3.7	Installation, konfiguration, service och reparation .....	20
<b>4</b>	<b>Underhåll</b> .....	<b>21</b>
4.1	Noteringar om rengöring .....	21
4.2	Avfallshantering .....	21
<b>5</b>	<b>Tekniska data och driftgränser</b> .....	<b>22</b>
5.1	Verifieringsvågintervall .....	22
5.2	Maximalt tillåten belastning .....	22
5.3	Tekniska data för lastcellen .....	23
5.4	Dimensioner .....	23
5.5	Tillbehör .....	24

# 1 Säkerhetsinstruktioner

## 1.1 Avsedd användning

PBA655 / PBA655x-vägningplattformar är en del av ett modulärt vägningssystem bestående av en METTLER TOLEDO-vägningsterminal som indikator och minst en vägningplattform.

- Använd vägningplattformen endast för vägning i enlighet med denna Bruksanvisning.
- Vägningplattformen är avsedd endast för användning inomhus.
- Endast PBA655x-vägningplattformen är lämplig för användning i farlig miljö enligt specifikationen nedan.
- All annan användning betraktas som ej avsedd.

### Legal metrologi

- Använd endast godkända vägningplattformar för användning i legal metrologi.
- Vid användning i legal metrologi ansvarar driftbolaget för att observera alla nationella vikt- och måttkrav.
- Kontakta METTLER TOLEDO:s serviceorganisation för frågor rörande användning i lagliga handelsapplikationer.

## 1.2 Felaktig användning

- ▲ Använd inte vägningplattformen för annat än vägningssarbeten.
- ▲ Använd inte vägningplattformen i en annan miljö än vad som anges i avsnitt 2.1.
- ▲ Modifiera inte vägningplattformen.
- ▲ Använd inte vägningplattformen bortom gränserna för tekniska specifikationer.
- ▲ Använd inte vägningplattformen för förvaring av varor.
- ▲ Undvik fallande gods på vägningplattformen.
- ▲ Använd inte vägningplattformen i farliga miljöer.

## 1.3 Säkerhetsåtgärder

- ▲ Endast personal som utbildats och kvalificerats av METTLER TOLEDO får installera och underhålla vägningplattformen.
- ▲ Var försiktig när du transporterar eller lyfter tunga enheter.
- ▲ Koppla alltid bort vägningplattformen från strömkällan innan du installerar, utför service, rengöring eller underhåll.
- ▲ Anslutningskabeln får inte kopplas bort från vägningsterminalen när den är strömsatt.
- ▲ De explosionsskyddade vägningplattformarna PBA655x är godkända för användning i följande farliga områden: FM IS / klass I, II, III div. 1 / ABCDEFG / T4.
- ▲ Det föreligger en ökad risk för personskador och materiella skador när vägningplattformarna används i farliga områden! Särskild försiktighet måste vidtas vid arbete i sådana områden.
- ▲ Gällande PBA655x-vägningplattformen, använd endast packboxar som är lämpliga och godkända för farliga områden för att föra in vägningscellkabeln i serviceterminalen.



- ▲ Explosionsskyddade vägningsplattformar får endast användas i farliga områden i samband med vägningsterminaler med lämplig godkännande- och gränssnittsspecifikation.
- ▲ Se till att vägningsplattformen har nått rumstemperatur innan då slår på ström-försörjningen.

## 2 Inledning

### 2.1 PBA655 / PBA655x-vägningsplattformar

Denna Bruksanvisning fokuserar på produkterna PBA655 / PBA655x.

Dessa vägningsplattformar är tillgängliga i olika storlekar och kapacitet för att uppfylla dina behov. Vägningsplattformarna är möjliga att godkänna och erbjuder följande konstruktionsegenskaper:



Typ	Lastplattans material	Vågramens material	Lastcellens design	Miljö IP-skydd	Farogodkännande
<b>PBA655</b>	Borstat rostfritt stål (AISI304)	Pulverlackerat, kolstål	Aluminium, ingjuten	Torr IP65	-
<b>PBA655x</b>	Borstat rostfritt stål (AISI304)	Pulverlackerat, kolstål	Aluminium, ingjuten	Torr IP65	Kategori 1/2 gas och damm

### 2.2 Om denna Bruksanvisning

Denna Bruksanvisning innehåller all information för operatören av vägningsplattformarna i PBA655/PBA655x-serien.

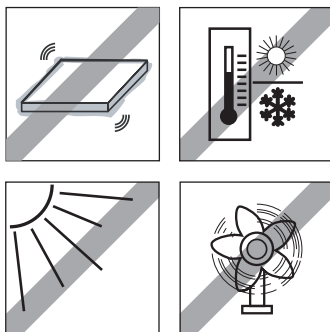
- Läs denna Bruksanvisning noga före användning.
- Bevara denna Bruksanvisning för framtida referens.
- Vidarebefordra denna Bruksanvisning till eventuell framtida ägare eller användare av produkten.

### 2.3 Ytterligare dokument

- Utöver denna utskrivna Bruksanvisning kan du ladda ner följande dokument från [www.mt.com](http://www.mt.com):
  - Broschyr

## 3 Installation och drift

### 3.1 Kontroll av platsen



Korrekt plats är avgörande för noggrannheten på vägningsresultaten.

1. Se till att platsen för vägningsplattformen är stabil, vibrationsfri och horisontell.
2. Underlaget måste kunna bära vägningsplattformen under maximal belastning vid stödpunkterna.
3. Observera följande miljöförhållanden:
  - Inga våta och/eller korrosiva miljöer
  - Inget direkt solljus
  - Inga kraftiga luftdrag eller vibrationer
  - Inga stora temperatursvängningar
  - Temperaturområde  $-10\text{ °C}$  till  $+40\text{ °C}$  /  $14\text{ °F}$  till  $104\text{ °F}$

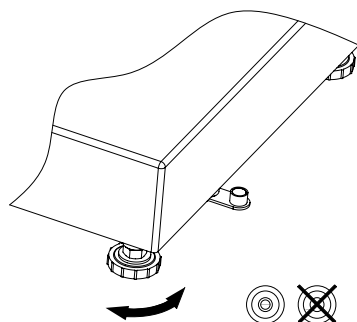
### 3.2 Ansluta PBA655(x)-vägningsplattformarna till vägningsterminalen

PBA655(x)-vägningsplattformarna är utformade för användning med digitala METTLER TOLEDO-vägningsterminaler.

1. Anslut den digitala vägningsplattformens kabel med M12-kontaktdonet (6 stift) till vägningsterminalen.
2. Anslut vägningsplattformens kabel till anslutningsplinten (7 stift) för vägningsterminalen i enlighet med följande tabell.

PBA655-.../PBA655x-...	
Terminal	Färg
EXC+	grön
EXC-	svarf
SIG+	vit
SIG-	röd
SEN+	blå
SEN-	brun

### 3.3 Nivellering



För att leverera korrekta vägningsresultat måste vägningsplattformen stå helt horisontell. Vägningsplattformen måste nivelleras under den inledande installation och när dess plats byts.

1. Skruva på vägningsplattformens justerbara fötter tills luftbubblan i vattenpasset befinner sig i den inre cirkeln.
2. Dra åt de justerbara fötternas låsmutterar.

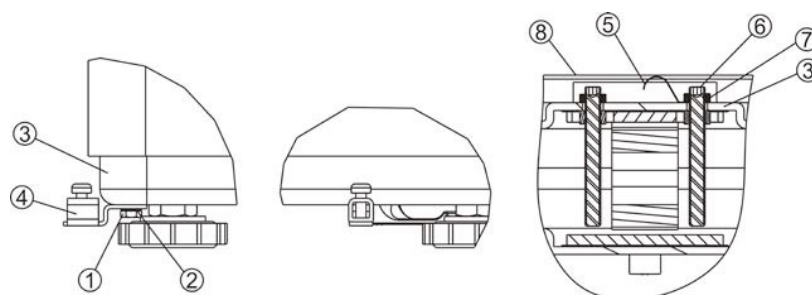
### 3.4 Potentialutjämning (PBA655x)

Potentialutjämningen för PBA655x-vägningsskåp monterar på fabriken. Ledningarna måste installeras av en professionell elektriker på kundplatsen. METTLER TOLEDO service har här endast en övervakande och konsulterande funktion. Anslut potentialutjämningen (PA) för alla enheter (vågningsskåp och vägningsterminal) i enlighet med de landsspecifika föreskrifterna och standarderna. Se i denna process till att alla enhetshus ansluts till samma potential via PA-terminalen.

#### Notera:

Utrustningen är skyddad mot elstötar enligt IEC60950, klass II.

#### PBA655x-A/BB/B



- (1) Sexkantbult GB5783 M4X8-SS (2) WAS GB861.1 4
- (2) WAS GB861.1 4
- (3) Fundament
- (4) Potentialutjämningsterminal
- (5) Ex-fjäder WS (6) Överbelastningsskruv (7) Överbelastningsmutter (8) Platta

#### PBA655x-BC/CC

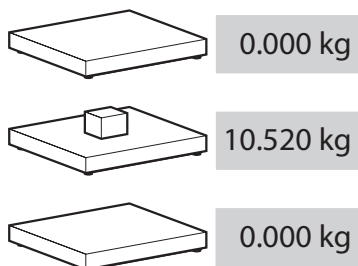


- (1) Sexkantbult GB5783 M4X8-SS (2) WAS GB861.1 4
- (3) Fundament
- (4) Potentialutjämningsterminal
- (5) Ex-fjäder WS
- (6) Skruv GB67 M6x8-Zn.D

### 3.5 Kontrollera vägningsplattformen

#### Funktionskontroll

Innan en vägningsserie inleds, utför en funktionskontroll av vägningsplattformen och den ansluta vägningsterminalen.



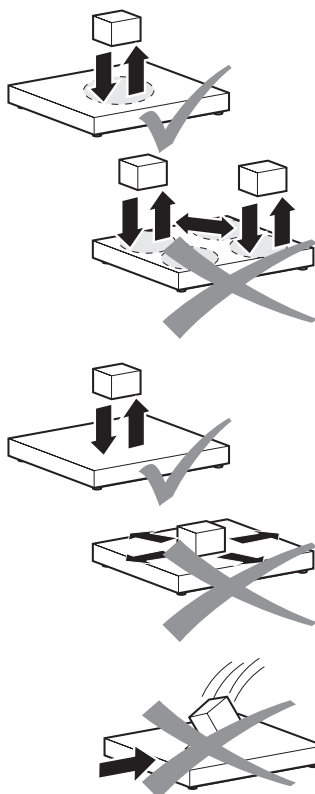
1. Se till att vägningsplattformen är ansluten till en vägningsterminal och att vägningsterminalen är påslagen.
2. Se till att inga föremål befinner sig på vägningsplattformen och att vägningsterminalens display visar 0.
3. Lägg ett föremål på vägningsplattformen. Displayen måste visa ett annat värde än 0.
4. Ta bort föremålet från vägningsplattformen. Displayen måste återgå till 0.

#### Verifikationstest

Se Bruksanvisningen till den anslutna vägningsterminalen för ett verifikationstest. Om verifikationsplomberingen är bruten är inte längre verifikationen giltig.

### 3.6 Viktiga anmärkningar

Observera följande för bästa vägningsresultat:



- ▲ Placera alltid vägningsprovet på samma position på vågen för att uppnå bästa vägningsresultat.

- ▲ Undvik slipande och nötande procedurer.

- ▲ Undvik fallande laster, stötar och sidokollisioner.

### 3.7 Installation, konfiguration, service och reparation

- För installation, konfiguration, service och reparation av vägningsplattformarna, ring METTLER TOLEDO service.

## 4 Underhåll

### 4.1 Noteringar om rengöring

---

#### OBSERVERA

##### Skada på vägningsplattformen på grund av felaktig användning av rengöringsmedel.

- ▲ Använd endast desinfektionsmedel och rengöringsmedel i enlighet med tillverkarens instruktioner.
  - ▲ Använd inte mycket syrahaltiga, alkaliska eller klorhaltiga rengöringsmedel. Undvik ämnen med ett högt eller lågt pH-värde, eftersom ökad korrosionsrisk annars föreligger.
  - ▲ Använd inte högtrycksrengöringsmedel
- 



#### Rengöringsprocedur

- Ta av lastplattan och avlägsna smuts och främmande ämnen som kan ha samlats under den.
- Använd inga hårda föremål när du gör så.
- Montera inte isär vägningsplattformen.
- Rengör vägningsplattformen med en mjuk trasa som dränkts in med ett mildt rengöringsmedel.

### 4.2 Avfallshantering



I överensstämmelse med EG-direktivet 2002/96 EG om avfallshantering av elektrisk och elektronisk utrustning (WEEE) får inte denna enhet kasseras ihop med hushållsavfall. Detta gäller även för länder utanför EU, i enlighet med deras specifika krav.

- Kassera denna produkt i enlighet med lokala föreskrifter på insamlingsstället, specificerade för elektrisk och elektronisk utrustning.

## 5 Tekniska data och driftgränser

### 5.1 Verifieringsvågintervall

Verifieringsvågintervallen enligt OIML och NTEP för vägningsplattformarna i PBA655- / PBA655x-serien anges nedan.

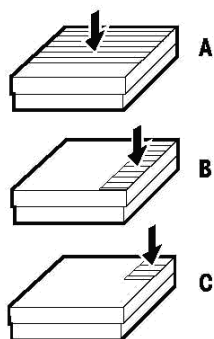
Verifieringsvågintervall [e] / OIML	Kapacitet						
	6 kg	12 kg	30 kg	60 kg	120 kg	300 kg	600 kg
1 x 6000 e Single Range	1 g	2 g	5 g	10 g	20 g	50 g	100 g / 200 g* EG*

Verifieringsvågintervall [d] / NTEP	Kapacitet						
	10 lb	20 lb	50 lb	100 lb	200 lb	500 lb	1'000 lb
1 x 10.000 d Single Range	0.001 lb	0.002 lb	0.005 lb	0.01 lb	0.02 lb	0.05 lb	EG*

\* ej NTEP-godkänd / OIML 2 x 3000 e MR

### 5.2 Maximalt tillåten belastning

Alla vägningsplattformar är utrustade med ett överbelastningskydd. Med den robusta vågkonstruktionen kan du emellanåt överskrida plattformens nominella kapacitet utan skada. Den maximala statistiska, säkra belastningen får aldrig överskridas.



→ Observera följande driftgränser.

Modell	A – mittbelastning	B – sidoblastning	C – hörnbelastning
<b>PBA655(x)-A...</b>	40 kg / 80 lb	30 kg / 60 lb	15 kg / 30 lb
<b>PBA655(x)-BB...</b>	100 kg / 200 lb	70 kg / 140 lb	35 kg / 70 lb
<b>PBA655(x)-B...</b>	200 kg / 400 lb	140 kg / 280 lb	75 kg / 150 lb
<b>PBA655(x)-BC...</b>	400 kg / 800 lb	300 kg / 600 lb	150 kg / 300 lb
<b>PBA655(x)-CC...</b>	700 kg / 1500 lb	400 kg / 800 lb	200 kg / 400 lb

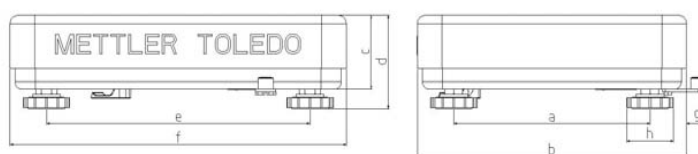
### 5.3 Tekniska data för lastcellen

<b>Känslighet</b>	2 mV/V +/- 0,2 mV/V
<b>Ingångsresistans</b>	415 $\Omega$ +/- 15 $\Omega$
<b>Utgångsresistans</b>	350 $\Omega$ +/- 3 $\Omega$
<b>Matningsspänning</b>	Rekommenderad: 10 V DC/AC Max.: 15 V DC/AC
<b>Godkännande</b>	OIML / NTEP / FM
<b>Tändningsskyddstyp</b>	FM IS / I, II, III / 1 / ABCDEFG / T4 Ta=40°C
<b>IP-skyddstyp</b>	IP65

### 5.4 Dimensioner

Vy framifrån

Vy från sidan



Dimension		PBA655(x)-							
		a	b	c	d	e	f	g	h
<b>A...</b>	mm	175	240	62	80	235	300	22	42
	"	6.89	9.45	2.44	3.15	9.25	7.87	0.83	1.65
<b>BB...</b>	mm	235	300	66	86	335	400	22	42
	"	9.25	11.81	2.60	3.39	13.18	15.74	0.83	1.65
<b>B...</b>	mm	335	400	66	86	436	500	22	42
	"	13.18	15.74	2.60	3.39	17.17	19.68	0.83	1.65
<b>BC...</b>	mm	435	500	85	110	587	650	22	42
	"	17.13	19.69	3.35	4.33	23.11	25.59	0.83	1.65
<b>CC...</b>	mm	503	600	97	120	724	800	22	42
	"	19.80	23.62	3.82	4.72	28.5	31.50	0.83	1.65

## 5.5 Tillbehör

Beteckning	Beställningsnr.
<b>Pelare *</b>	
Pelare, kolstål, 330 mm / 13" hög	72 198 699
Pelare, kolstål, 660 mm / 26" hög	72 198 700
Pelare, kolstål, 900 mm / 35.4" hög	72 198 701
Pelare, rostfritt stål, 120 mm / 4.7" hög	72 229 393
Pelare, rostfritt stål, 330 mm / 13" hög	72 198 702
Pelare, rostfritt stål, 660 mm / 26" hög	72 198 703
Pelare, rostfritt stål, 900 mm / 35,4" hög	72 198 689
Golvstativ, målat kolstål, 1000 mm / 40" högt	22 023 451
Golvstativ, rostfritt stål, 1000 mm / 40" högt	22 023 503
Fristående fundament i kolstål	00 503 700
Fristående fundament i rostfritt stål	00 503 701
<b>Stativ och vagnar</b>	
Bänkstativ med hjul, målat kolstål, för vägningsplattformar i B-storlek	00 503 631
Bänkstativ med hjul, målat kolstål, för vägningsplattformar i CC-storlek	00 504 853
Bänkstativ med hjul, rostfritt stål, för vägningsplattformar i B-storlek	00 503 632
Bänkstativ med hjul, rostfritt stål, för vägningsplattformar i CC-storlek	00 504 854
Stöd för bänkstativ med hjul, målat kolstål	22 023 460
Vagn, kolstål, för vägningsplattformar i BC-storlek	72 198 696
Vagn, kolstål, för vägningsplattformar i CC-storlek	72 198 697
<b>Särskilda skivor, ramar i målat kolstål</b>	
Rullskiva, galvaniserade rullar, för vägningsplattformar i B-storlek	72 198 705
Rullskiva, galvaniserade rullar, för vägningsplattformar i BC-storlek	72 198 707
Rullskiva, galvaniserade rullar, för vägningsplattformar i CC-storlek	72 198 709
Kulskiva, för vägningsplattformar i B-storlek	72 198 691
Kulskiva, för vägningsplattformar i BC-storlek	72 198 692
Kulskiva, för vägningsplattformar i CC-storlek	72 198 693
<b>Anslutningsbarhet</b>	
Förlängningskabel, 10 m	00 504 134
Anslutningsset för ID-terminal	00 504 133
Specialkabel på trumma, 100 m	00 504 177

\* Terminalfästen medföljer inte. Se terminalbroschyren.



## Dansk (Oversættelse)

# METTLER TOLEDO service

Tillykke med dit nye præcise kvalitetsprodukt fra METTLER TOLEDO. Korrekt brug af dit nye udstyr i overensstemmelse med denne Brugervejledning samt regelmæssig kalibrering og vedligeholdelse udført af vores uddannede servicemedarbejdere beskytter din investering og sikrer, at udstyret er pålideligt og nøjagtigt. Kontakt os for at høre mere om mulighederne for en skræddersyet serviceaftale, der passer til dit behov og budget. Du kan finde yderligere oplysninger på [www.mt.com/service](http://www.mt.com/service).

Du kan sikre, at din investering udnyttes maksimalt, på flere vigtige måder:

1. **Registrer dit produkt:** Vi opfordrer dig til at registrere dit produkt på [www.mt.com/productregistration](http://www.mt.com/productregistration) så vi kan kontakte dig om forbedringer, opdateringer og vigtige oplysninger vedrørende dit produkt.
2. **Kontakt METTLER TOLEDO for at få udført service:** Værdien af en måling er proportional med dens nøjagtighed – en vægt, der er uden for specifikationerne, kan medføre forringet kvalitet, reduceret indtjening og øget ansvar. Rettidig service fra METTLER TOLEDO sikrer nøjagtighed og optimerer opetiden og udstyrets levetid.
  - **Installation, konfiguration, integration og uddannelse:**  
Vores serviceteknikere er uddannet på fabrikken og er eksperter i vejeudstyr. Vi sikrer, at dit vejeudstyr er klar til produktion omkostningseffektivt og rettidigt, og at personalet er uddannet til at sikre succesfulde resultater.
  - **Dokumentation for indledende kalibrering:**  
Installationsmiljøet og kravene til anvendelsesområdet er unikke for hver enkelt industrivægt, så ydeevnen skal testes og certificeres. Vores kalibreringsydelser og certifikater dokumenterer nøjagtighed med det formål at sikre produktionskvalitet og levere et kvalitetssystem med dokumenteret ydeevne.
  - **Periodisk kalibreringsvedligeholdelse:**  
En serviceaftale om kalibrering sikrer, at du altid kan have tillid til din vejeprocess, og at du har dokumentation for overholdelse af kravene. Vi tilbyder mange forskellige typer af serviceordninger, der er tilrettelagt, så de opfylder dine behov og tager højde for dit budget.

# Vejeplatforme PBA655 / PBA655x

<b>1</b>	<b>Sikkerhedsanvisninger</b> .....	<b>27</b>
1.1	Tilsigtet brug.....	27
1.2	Forkert brug.....	27
1.3	Sikkerhedsforanstaltninger .....	27
<b>2</b>	<b>Introduktion</b> .....	<b>28</b>
2.1	Vejeplatforme PBA655 / PBA655x.....	28
2.2	Om denne Brugervejledning .....	28
2.3	Yderligere dokumenter .....	28
<b>3</b>	<b>Installation og betjening</b> .....	<b>29</b>
3.1	Kontrol af placering .....	29
3.2	Tilslutning af vejeplatformene PBA655(x) til vejeterminalen .....	29
3.3	Nivellering .....	29
3.4	Ækvipotentiel tilslutning (PBA655x) .....	30
3.5	Kontrol af vejeplatformene .....	31
3.6	Vigtige noter .....	31
3.7	Installation, konfiguration, service og reparation.....	31
<b>4</b>	<b>Vedligeholdelse</b> .....	<b>32</b>
4.1	Bemærkninger vedrørende rengøring .....	32
4.2	Bortskaffelse .....	32
<b>5</b>	<b>Tekniske data og driftsgrænser</b> .....	<b>33</b>
5.1	Verifikationsvægtintervaller.....	33
5.2	Tilladt totalvægt .....	33
5.3	Tekniske data for vejecellen.....	34
5.4	Mål .....	34
5.5	Tilbehør .....	35

# 1 Sikkerhedsanvisninger

## 1.1 Tilsigtet brug

Vejepplatformene PBA655 / PBA655x er en del af et modulopbygget vejesystem, der består af en METTLER TOLEDO-vejeterminal som indikator og mindst én vejepplatform.

- Brug kun vejepplatformen til vejning i overensstemmelse med denne Brugervejledning.
- Vejepplatformen er udelukkende beregnet til indendørs brug.
- Kun vejepplatformen PBA655x er velegnet til brug i farlige miljøer som angivet nedenfor.
- Enhver anden brug betragtes som utilsigtet.

### Lovreguleret måling

- Brug kun godkendte vejepplatforme til lovreguleret måling.
- Ved brug til lovreguleret måling er driftsselskabet ansvarligt for at overholde alle nationale krav til vejning og måling.
- Kontakt METTLER TOLEDOs serviceorganisation i tilfælde af spørgsmål vedrørende brug i lovlige handelsapplikationer.

## 1.2 Forkert brug

- ▲ Brug ikke vejepplatformen til andet end vejning.
- ▲ Vejepplatformen må ikke anvendes i andre miljøer end dem, der er angivet i afsnit 2.1.
- ▲ Undlad at foretage ændringer på vejepplatformen.
- ▲ Brug ikke vejepplatformen uden for grænserne i de tekniske specifikationer.
- ▲ Brug ikke vejepplatformen til opbevaring af varer.
- ▲ Undgå, at der falder varer ned på vejepplatformen.
- ▲ Brug ikke vejepplatformen i farlige miljøer.

## 1.3 Sikkerhedsforanstaltninger

- ▲ Vejepplatformen skal installeres og vedligeholdes af teknikere, der er uddannet og godkendt af METTLER TOLEDO.
- ▲ Vær forsigtig ved transport og løft af tunge enheder.
- ▲ Vejepplatformen skal altid kobles fra strømkilden, før installation, service, rengøring eller vedligeholdelse foretages.
- ▲ Tilslutningskablet kan muligvis ikke kobles fra vejeterminalen, mens strømmen er tilsluttet.
- ▲ De eksplosionsbeskyttede vejepplatforme PBA655x er godkendt til brug i følgende farlige områder: FM IS / klasse I, II, III div. 1 / ABCDEFG / T4.
- ▲ Der er øget risiko for skade på personer og ejendom, når vejepplatformene bruges i farlige områder! Der skal udvises særlig stor forsigtighed under arbejde i sådanne områder.
- ▲ Til vejepplatform PBA655x skal der altid anvendes kabelforskrninger, som er velegnede og godkendt til farlige områder, når vejecellens kabel føres ind i serviceterminalen.
- ▲ Eksplosionsbeskyttede vejepplatforme må kun bruges i farlige områder sammen med vejeterminaler med de relevante godkendelser og grænsefladespecifikationer.
- ▲ Kontrollér, at vejepplatformen har rumtemperatur, før strømforsyningen tilsluttes.

## 2 Introduktion

### 2.1 Vejplatforme PBA655 / PBA655x

Denne Brugervejledning fokuserer på produkterne PBA655 / PBA655x.

Disse vejplatforme fås i forskellige størrelser og kapaciteter, så du kan let finde en, der passer til dit behov. Vejplatformene kan godkendes og har følgende indbyggede egenskaber:

Type	Vejpladens materiale	Vægtrammens materiale	Vejecellens opbygning	Miljø IP-beskyttelse	Faregodkendelse
PBA655	Børstet rustfrit stål (AISI304)	Pulverlakeret, kulstofstål	Aluminum, indkapslet	Tørt IP65	-
PBA655x	Børstet rustfrit stål (AISI304)	Pulverlakeret, kulstofstål	Aluminum, indkapslet	Tørt IP65	Kategori 1/2 gas og støv



### 2.2 Om denne Brugervejledning

Denne Brugervejledning indeholder alle oplysninger til operatøren af vejplatformene i PBA655/PBA655x-serien.

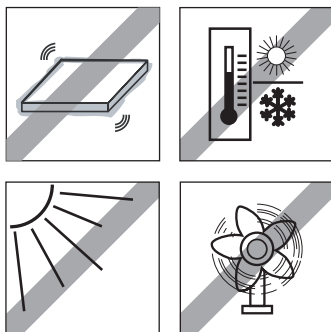
- Læs denne Brugervejledning omhyggeligt før brug.
- Opbevar denne Brugervejledning, så du har den til fremtidig reference.
- Giv denne Brugervejledning videre til en eventuel fremtidig ejer eller bruger af produktet.

### 2.3 Yderligere dokumenter

- Ud over denne trykte Brugervejledning kan du også downloade følgende dokumenter fra [www.mt.com](http://www.mt.com):
  - Brochure

## 3 Installation og betjening

### 3.1 Kontrol af placering



Den korrekte placering er afgørende for vejeresultatets nøjagtighed.

1. Sørg for, at vejeplattformens placering er stabil, uden vibrationer og vandret.
2. Underlaget skal kunne bære vejeplattformen på støttepunkterne, når den er under maksimal belastning.
3. Sørg for, at følgende omgivende forhold er til stede:
  - Ingen våde og/eller korrosive miljøer
  - Intet direkte sollys
  - Ingen kraftig træk eller kraftige vibrationer
  - Ingen store temperaturudsving
  - Temperaturområde  $-10\text{ °C}$  til  $+40\text{ °C}$  /  $14\text{ °F}$  til  $104\text{ °F}$

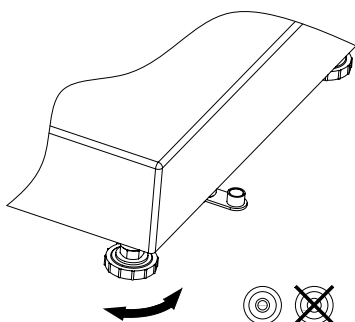
### 3.2 Tilslutning af vejeplattformene PBA655(x) til vejeterminalen

Vetjeplattformene PBA655(x) er designet til brug med digitale METTLER TOLEDO vejeterminaler.

1. Kobl vejeplattformens kabel med det 6-benede M12-stik til vejeterminalen.
2. Tilslut vejeplattformens kabel til den 7-benede klemmerække på vejeterminalen som vist i tabellen nedenfor.

PBA655-.../PBA655x-...	
Terminal	Farve
EXC+	grøn
EXC-	sort
SIG+	hvid
SIG-	rød
SEN+	blå
SEN-	brun

### 3.3 Nivellering



For at vejeplattformene skal kunne levere et præcist vandret vejeresultat, skal de være nivelleret nøjagtigt. Vejeplattformen skal nivelleres under den første installation og hver gang, den flyttes.

1. Drej på vejeplattformens justerbare fødder, til luftboblen i vaterpasset befinder sig i den inderste cirkel.
2. Spænd låsemøtrikkerne på de justerbare fødder.

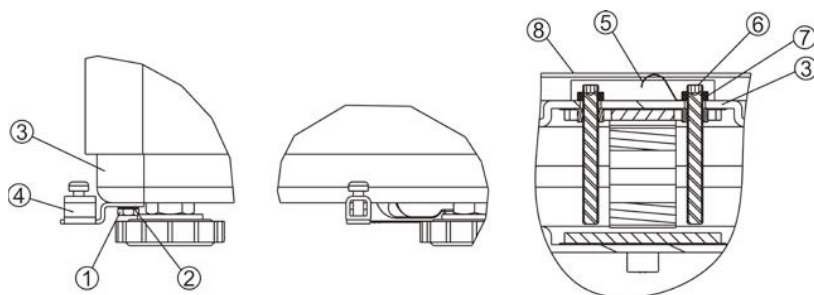
### 3.4 Ækvipotentiel tilslutning (PBA655x)

Den ækvipotentielle tilslutning til vejeplattormene PBA655x er monteret fra fabrikken. Kablerne skal monteres hos kunden af en autoriseret elektriker. METTLER TOLEDO service har udelukkende en tilsynsførende og rådgivende funktion i denne forbindelse. Forbind den ækvipotentielle tilslutning (PA) på alle enheder (vejeplattorm og vejeterminal) i henhold til de regler og standarder, der er gældende i det pågældende land. Kontroller desuden, at alle enheders kabinetter kobles til det samme potentiale via PA-terminalen.

#### Bemærk:

Udstyret er beskyttet mod elektrisk stød iht. IEC60950, klasse II.

#### PBA655x-A/BB/B



- (1) Sekskantet bolt GB5783 M4X8-SS (2) WAS GB861.1 4
- (2) WAS GB861.1 4
- (3) Bundramme
- (4) Ækvipotentiel tilslutningsklemme
- (5) Ex-fjeder WS (6) Overbelastningsskrue (7) Overbelastningsmøtrik (8) Tallerken

#### PBA655x-BC/CC

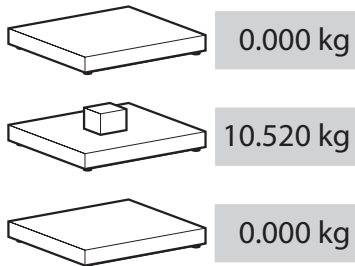


- (1) Sekskantet bolt GB5783 M4X8-SS (2) WAS GB861.1 4
- (3) Bundramme
- (4) Ækvipotentiel tilslutningsklemme
- (5) Ex-fjeder WS
- (6) Skrue GB67 M6x8-Zn.D

### 3.5 Kontrol af vejeplatformene

#### Funktionskontrol

Før du starter en vejeseerie, skal du foretage en funktionskontrol af vejeplatformen og den tilsluttede vejeterminal.



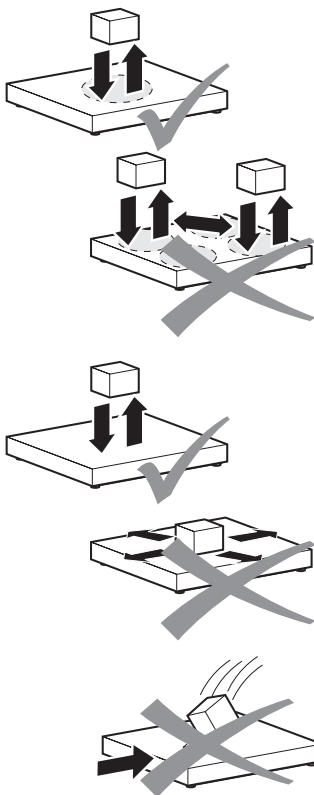
1. Sørg for, at vejeplatformen er tilsluttet til en vejeterminal, og at vejeterminalen er tændt.
2. Sørg for, at vejeplatformen er uden vægt, og at displayet på vejeterminalen viser 0.
3. Fyld vægt på vejeplatformen. Displayet skal vise en værdi forskellig fra 0.
4. Fjern vægten fra vejeplatformen. Displayet skal returnere til 0.

#### Verifikationstest

Oplysninger om verifikationstest findes i Brugervejledningen til den tilsluttede vejeterminal. Hvis verifikationsseglet er brudt, er verifikationen ikke længere gyldig.

### 3.6 Vigtige noter

For at opnå de bedst mulige vejeresultater skal følgende regler overholdes:



- ▲ For at opnå de bedst mulige vejeresultater skal det emne, der skal vejes, altid placeres det samme sted på vægten.

- ▲ Undgå processer, der har en slibende eller slidende effekt.

- ▲ Undgå faldende belastninger, stød og sideværts påvirkninger.

### 3.7 Installation, konfiguration, service og reparation

- Ring til METTLER TOLEDO service angående installation, konfiguration, service og reparation af vejeplatformene.

## 4 Vedligeholdelse

### 4.1 Bemærkninger vedrørende rengøring

---

#### BEMÆRK

##### Forkert brug af rengøringsmidler kan beskadige vejeplatformen.

- ▲ Brug kun desinficerende midler og rengøringsmidler i overensstemmelse med producentens anvisninger.
  - ▲ Brug ikke meget syreholdige, basiske eller klorholdige rengøringsmidler. Undgå midler med høj eller lav pH-værdi, da disse skaber øget risiko for korrosion.
  - ▲ Brug ikke højtryksrensere.
- 



#### Rengøring

- Løft vejepladen af, og fjern eventuelt snavs og fremmedlegemer, der kan være ophobet under den.
- Brug aldrig hårde redskaber til dette.
- Undlad at demontere vejeplatformen.
- Rengør vejeplatformen med en blød klud med et mildt rengøringsmiddel.

### 4.2 Bortskaffelse



Denne enhed må ikke bortskaffes som almindeligt husholdningsaffald i henhold til EUROPA-PARLAMENTETS OG RÅDETS DIREKTIV 2002/96/EF om affald af elektrisk og elektronisk udstyr (WEEE). Dette gælder også for lande uden for EU i henhold til det enkelte lands gældende bestemmelser.

- Bortskaf produktet ved at indlevere det på en særlig genbrugsstation for elektrisk og elektronisk udstyr i overensstemmelse med gældende lokale bestemmelser.



## 5 Tekniske data og driftsgrænser

### 5.1 Verifikationsvægtintervaller

Verifikationsvægtintervallerne i henhold til OIML og NTEP for vejeplattormene i PBA655- / PBA655x-serien er angivet nedenfor.

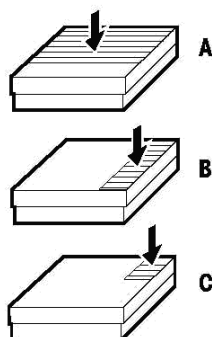
Verifikations- vægtinterval [e] / OIML	Kapacitet						
	6 kg	12 kg	30 kg	60 kg	120 kg	300 kg	600 kg
1 x 6000 e Single Range	1 g	2 g	5 g	10 g	20 g	50 g	100 g / 200 g* NA*

Verifikations- vægtinterval [d] / NTEP	Kapacitet						
	10 lb	20 lb	50 lb	100 lb	200 lb	500 lb	1'000 lb
1 x 10.000 d Single Range	0.001 lb	0.002 lb	0.005 lb	0.01 lb	0.02 lb	0.05 lb	NA*

\* ikke NTEP-godkendt / OIML 2 x 3000 e MR

### 5.2 Tilladt totalvægt

Alle vejeplattormer er udstyret med overbelastningsbeskyttelse. Det robuste vægtdesign betyder, at plattformens mærkekapacitet af og til kan overskrides, uden at der sker skader på enheden. Den maksimale sikre statiske belastning må aldrig overskrides.



→ Følgende driftsgrænser skal overholdes.

Model	A – belastning i midten	B – belastning i siden	C – belastning i hjørner
PBA655(x)-A...	40 kg / 80 lb	30 kg / 60 lb	15 kg / 30 lb
PBA655(x)-BB...	100 kg / 200 lb	70 kg / 140 lb	35 kg / 70 lb
PBA655(x)-B...	200 kg / 400 lb	140 kg / 280 lb	75 kg / 150 lb
PBA655(x)-BC...	400 kg / 800 lb	300 kg / 600 lb	150 kg / 300 lb
PBA655(x)-CC...	700 kg / 1500 lb	400 kg / 800 lb	200 kg / 400 lb

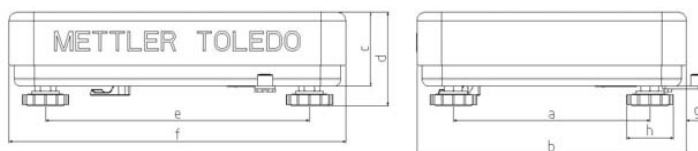
### 5.3 Tekniske data for vejecellen

<b>Følsomhed</b>	2 mV/V +/- 0,2 mV/V
<b>Indgangsresistans</b>	415 Ω +/- 15 Ω
<b>Udgangsresistans</b>	350 Ω +/- 3 Ω
<b>Forsyningsspænding</b>	Anbefalet: 10 V DC/AC Maksimum: 15 V DC/AC
<b>Godkendelse</b>	OIML / NTEP / FM
<b>Antændelsesbeskyttelsesklasse</b>	FM IS / I, II, III / 1 / ABCDEFG / T4 Ta=40°C
<b>IP-beskyttelsesklasse</b>	IP65

### 5.4 Mål

Set forfra

Set fra siden



PBA655(x)-	Mål	a	b	c	d	e	f	g	h
	<b>A...</b>	mm	175	240	62	80	235	300	22
"		6.89	9.45	2.44	3.15	9.25	7.87	0.83	1.65
<b>BB...</b>	mm	235	300	66	86	335	400	22	42
	"	9.25	11.81	2.60	3.39	13.18	15.74	0.83	1.65
<b>B...</b>	mm	335	400	66	86	436	500	22	42
	"	13.18	15.74	2.60	3.39	17.17	19.68	0.83	1.65
<b>BC...</b>	mm	435	500	85	110	587	650	22	42
	"	17.13	19.69	3.35	4.33	23.11	25.59	0.83	1.65
<b>CC...</b>	mm	503	600	97	120	724	800	22	42
	"	19.80	23.62	3.82	4.72	28.5	31.50	0.83	1.65

## 5.5 Tilbehør

Betegnelsen	Bestillingsnr.
<b>Standere *</b>	
Stander, kulstofstål, højde 330 mm / 13"	72 198 699
Stander, kulstofstål, højde 660 mm / 26"	72 198 700
Stander, kulstofstål, højde 900 mm / 35.4"	72 198 701
Stander, rustfrit stål, højde 120 mm / 4.7"	72 229 393
Stander, rustfrit stål, højde 330 mm / 13"	72 198 702
Stander, rustfrit stål, højde 660 mm / 26"	72 198 703
Stander, rustfrit stål, højde 900 mm / 35.4"	72 198 689
Gulvstander, lakeret kulstofstål, højde 1000 mm / 40"	22 023 451
Gulvstander, rustfrit stål, højde 1000 mm / 40"	22 023 503
Fritstående bundplade i kulstofstål	00 503 700
Fritstående bundplade i rustfrit stål	00 503 701
<b>Stativer og vogne</b>	
Bordstativ med hjul, lakeret kulstofstål, til vejeplatforme i størrelse B	00 503 631
Bordstativ med hjul, lakeret kulstofstål, til vejeplatforme i størrelse CC	00 504 853
Bordstativ med hjul, rustfrit stål, til vejeplatforme i størrelse B	00 503 632
Bordstativ med hjul, rustfrit stål, til vejeplatforme i størrelse CC	00 504 854
Støtteben til ordstativ med hjul, lakeret kulstofstål	22 023 460
Vogn, kulstofstål, til vejeplatforme i størrelse BC	72 198 696
Vogn, kulstofstål, til vejeplatforme i størrelse CC	72 198 697
<b>Specialtop, ramme i lakeret kulstofstål</b>	
Rulletop, galvaniserede ruller, til vejeplatforme i størrelse B	72 198 705
Rulletop, galvaniserede ruller, til vejeplatforme i størrelse BC	72 198 707
Rulletop, galvaniserede ruller, til vejeplatforme i størrelse CC	72 198 709
Kugletop, til vejeplatforme i størrelse B	72 198 691
Kugletop, til vejeplatforme i størrelse BC	72 198 692
Kugletop, til vejeplatforme i størrelse CC	72 198 693
<b>Tilslutning</b>	
Forlængerkabel, 10 m	00 504 134
Tilslutningssæt til ID-terminal	00 504 133
Specialkabel på hjul, 100 m	00 504 177

\* Terminalbeslag medfølger ikke. Se brochure vedrørende terminaler.

## Norsk (Oversettelse)

# METTLER TOLEDO service

Gratulerer med valget av kvalitet og presisjon fra METTLER TOLEDO. Korrekt bruk av ditt nye utstyr i samsvar med denne Brukerveiledningen og regelmessig kalibrering og vedlikehold utført av vårt serviceteam som er lært opp ved fabrikken, sikrer pålitelig og nøyaktig drift, slik at investeringen din beskyttes. Kontakt oss om en serviceavtale skreddersydd dine behov og økonomi. Ytterligere informasjon er tilgjengelig på [www.mt.com/service](http://www.mt.com/service).

Det er flere viktige måter du kan sikre og optimere ytelsen av din investering på:

1. **Registrer ditt produkt:** Vi ber deg registrere produktet ditt på [www.mt.com/productregistration](http://www.mt.com/productregistration) slik at vi kan kontakte deg om forbedringer, oppdateringer og viktige meldinger vedrørende produktet ditt.
2. **Kontakt METTLER TOLEDO for service:** Verdien av en måling er proporsjonal med dens nøyaktighet – en vekt som er utenfor spesifikasjonene kan redusere kvaliteten, redusere profitten og øke ansvaret. Service i rett tid fra METTLER TOLEDO vil sikre nøyaktigheten og optimere driftstiden og utstyrets levetid.
  - **Installasjon, konfigurering, integrering og opplæring:**  
Våre servicerepresentanter er eksperter på veieutstyr, opplært ved fabrikken. Vi sikrer at ditt veieutstyr er klart for produksjon til rett tid på en kostnadseffektiv måte, og at personell blir opplært for gode resultater.
  - **Dokumentering av initiell kalibrering:**  
Installasjonsmiljøet og kravene til bruk er unike for enhver industriell vekt, slik at ytelsen må testes og sertifiseres. Våre kalibreringstjenester og sertifikater dokumenterer nøyaktigheten for å sikre produksjonskvalitet og gi en kvalitetssystem- ytelseslogging.
  - **Periodisk kalibreringsvedlikehold:**  
En kalibreringserviceavtale gir vedvarende tillit til din veieprosess og dokumenterer samsvar med kravene. Vi tilbyr et utvalg av serviceplaner som er tilpasset dine behov og ditt budsjett.

# PBA655 / PBA655x veieplattformer

<b>1</b>	<b>Sikkerhetsanvisninger</b> .....	<b>38</b>
1.1	Tiltenkt bruk .....	38
1.2	Misbruk .....	38
1.3	Sikkerhetstiltak.....	38
<b>2</b>	<b>Introduksjon</b> .....	<b>39</b>
2.1	PBA655 / PBA655x veieplattformer.....	39
2.2	Om denne Brukerveiledningen.....	39
2.3	Ytterligere dokumenter .....	39
<b>3</b>	<b>Installasjon og drift</b> .....	<b>40</b>
3.1	Sjekk plasseringen .....	40
3.2	Koble PBA655(x)-veieplattformene til veieterminalen .....	40
3.3	Vatring.....	40
3.4	Ekvipotensialutjevning (PBA655x) .....	41
3.5	Sjekk veieplattformen.....	42
3.6	Viktige merknader .....	42
3.7	Installasjon, konfigurasjon, service og reparasjon .....	42
<b>4</b>	<b>Vedlikehold</b> .....	<b>43</b>
4.1	Merknader om rengjøring.....	43
4.2	Avfallshåndtering .....	43
<b>5</b>	<b>Tekniske data og driftsgrenser</b> .....	<b>44</b>
5.1	Verifiseringsvektintervaller .....	44
5.2	Maksimum tillatt last .....	44
5.3	Tekniske data for lastcellen .....	45
5.4	Mål .....	45
5.5	Tilbehør .....	46

# 1 Sikkerhetsanvisninger

## 1.1 Tiltenkt bruk

PBA655 / PBA655x veieplattformer er en del av et modulært veiesystem som omfatter en METTLER TOLEDO veieterminal som indikator og minst én veieplattform.

- Bruk veieplattformen kun til veiing i samsvar med denne Brukerveiledningen.
- Veieplattformen er kun ment for innendørs bruk.
- Bare PBA655x-veieplattformen er egnet for bruk i farlige omgivelser, som spesifisert nedenfor.
- All annen bruk anses som ikke tiltenkt bruk.

### Lovregulert måling

- Ved bruk til lovregulert måling må det bare benyttes godkjente veieplattformer.
- Ved bruk til lovregulert måling er driftsselskapet ansvarlig for å overholde alle nasjonale krav til mål og vekt.
- Vennligst kontakt METTLER TOLEDO serviceorganisasjon når det gjelder spørsmål knyttet til bruk i lovlige handelsapplikasjoner.

## 1.2 Misbruk

- ▲ Ikke bruk veieplattformen til annet enn veieoperasjoner.
- ▲ Ikke bruk veieplattformen i andre omgivelser enn det som er spesifisert i avsnitt 2.1.
- ▲ Ikke utfør modifikasjoner på veieplattformen.
- ▲ Ikke bruk veieplattformen utover grensene i de tekniske spesifikasjonene.
- ▲ Bruk ikke veieplattformen for lagring av varer.
- ▲ Unngå at det faller varer ned på veieplattformen.
- ▲ Ikke bruk veieplattformen i farlige omgivelser.

## 1.3 Sikkerhetstiltak

- ▲ Bare personale som er opplært og kvalifisert av METTLER TOLEDO, skal installere og vedlikeholde veieplattformen.
- ▲ Vær forsiktig ved transport og løfting av tunge enheter.
- ▲ Koble alltid veieplattformen fra strømkilden før installasjon, service, rengjøring eller vedlikehold.
- ▲ Tilkoblingskabelen må ikke kobles fra veieterminalen når den er aktivert.
- ▲ De eksplosjonsbeskyttede veieplattformene PBA655x er godkjent for drift i følgende farlige områder: FM IS / klasse I, II, III div. 1 / ABCDEFG / T4.
- ▲ Det er økt fare for personskader og materielle skader når veieplattformene brukes i farlige områder! Man må være ekstra forsiktig under arbeid i slike områder.
- ▲ Når det gjelder PBA655x-veieplattformen, må det bare brukes kabelmuffer som egner seg og er godkjent for bruk i farlige områder ved tilkobling av veicellekabelen til serviceterminalen.
- ▲ Eksplosjonsbeskyttede veieplattformer kan bare brukes i farlige områder sammen med veieterminaler med egnet godkjennelse og grensesnittspesifikasjon.
- ▲ Vent til veieplattformen har nådd romtemperatur før du slår på strømforsyningen.

## 2 Introduksjon

### 2.1 PBA655 / PBA655x veieplattformer

Denne Brukerveiledningen omhandler produktene PBA655 / PBA655x.

Disse veieplattformene er tilgjengelige i ulike størrelser og med forskjellig kapasitet for å oppfylle dine behov. Veieplattformene er godkjennbare og har følgende karakteristikker:

Type	Lastplate-materiale	Vektramme-materiale	Lastcelle-konstruksjon	Omgivelser IP-beskyttelse	Godkjenning for farlig bruk
PBA655	Børstet rustfritt stål (AISI304)	Pulverlakkert, karbonstål	Aluminium, innkapslet	Tørre IP65	-
PBA655x	Børstet rustfritt stål (AISI304)	Pulverlakkert, karbonstål	Aluminium, innkapslet	Tørre IP65	Kategori 1/2 gass og støv



### 2.2 Om denne Brukerveiledningen

Denne Brukerveiledningen inneholder all informasjon for operatøren av veieplattformene i PBA655/PBA655x-seriene.

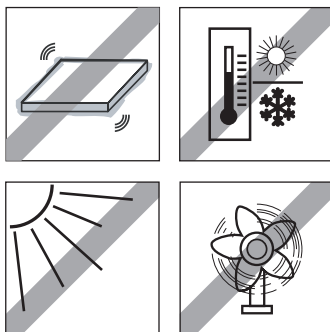
- Les denne Brukerveiledningen grundig før bruk.
- Ta vare på denne Brukerveiledningen for framtidig referanse.
- Legg ved denne Brukerveiledningen til eventuelle framtidige eiere eller brukere av produktet.

### 2.3 Ytterligere dokumenter

- I tillegg til denne trykte Brukerveiledningen kan du laste ned følgende dokumenter fra [www.mt.com](http://www.mt.com):
  - Brosjyre

## 3 Installasjon og drift

### 3.1 Sjekke plasseringen



Riktig plassering er avgjørende for nøyaktigheten av veieresultatene.

1. Sørg for at plasseringen av veieplattformen er stabil, vibrasjonsfri og horisontal.
2. Underlaget må tåle veieplattformen med maksimal belastning i støttestøttene.
3. Overhold følgende krav til omgivelsene:
  - Ikke våte og/eller korrosive omgivelser
  - Ikke direkte solskinn
  - Ikke kraftig trekk eller vibrasjoner
  - Ingen ekstreme temperatursvingninger
  - Temperaturområde  $-10\text{ }^{\circ}\text{C}$  til  $+40\text{ }^{\circ}\text{C}$  /  $14\text{ }^{\circ}\text{F}$  til  $104\text{ }^{\circ}\text{F}$

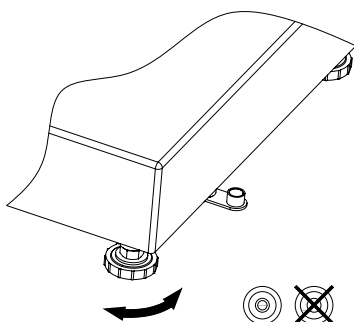
### 3.2 Koble PBA655(x)-veieplattformene til veieterminalen

PBA655(x)-veieplattformene er beregnet for bruk sammen med digitale METTLER TOLEDO-veieterminaler.

1. Koble kabelen til den digitale veieplattformen til den 6-pinnens M12-kontakten på veieterminalen.
2. Koble veieplattformkabelen til den 7-pinnens rekkleklemmen på veieterminalen i henhold til tabellen nedenfor.

PBA655-.../PBA655x-...	
Terminal	Farge
EXC+	grønn
EXC-	svart
SIG+	hvit
SIG-	rød
SEN+	blå
SEN-	brun

### 3.3 Vatring



Bare en veieplattform som er justert slik at den er helt horisontal, gir nøyaktige veieresultater. Veieplattformen må vatres under den opprinnelige installasjonen og hver gang den flyttes.

1. Skru de justerbare føttene på veieplattformen til luftboblen i libellen kommer innenfor den innerste sirkelen.
2. Stram låsemutrene på de justerbare bena.



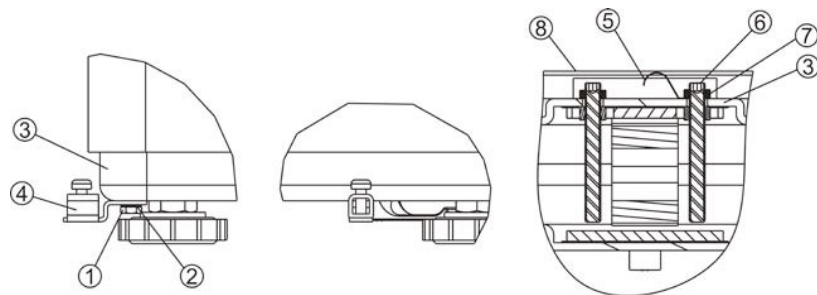
### 3.4 Ekvipotensialutjevning (PBA655x)

Ekvipotensialutjevningen for PBA655x-veieplattformene er montert fra fabrikk. Kablingen må installeres av en autorisert elektriker på anleggsstedet. METTLER TOLEDO service har bare en overvåkings- og rådgivningsfunksjon her. Koble ekvipotensialutjevningen (PA) for alle enhetene (veieplattform og veie-terminal) i samsvar med gjeldende nasjonale normer og forskrifter. Underveis må du kontrollere at alle enhetsrammene er koblet til det samme potensialet via PA-klemmen.

#### Merk:

Utstyret er beskyttet mot elektrisk støt iht. IEC60950, klasse II.

#### PBA655x-A/BB/B



- (1) Sekskantbolt GB5783 M4X8-SS (2) WAS GB861.1 4
- (2) WAS GB861.1 4
- (3) Bunnramme
- (4) Klemme for ekvipotensialutjevning
- (5) Ex-fjær WS (6) Overbelastningsskrue (7) Overbelastningsmutter (8) Plate

#### PBA655x-BC/CC

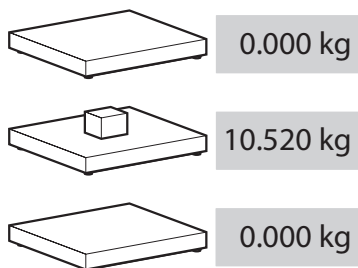


- (1) Sekskantbolt GB5783 M4X8-SS (2) WAS GB861.1 4
- (3) Bunnramme
- (4) Klemme for ekvipotensialutjevning
- (5) Ex-fjær WS
- (6) Skrue GB67 M6x8-Zn.D

### 3.5 Sjekke veieplattformen

#### Funksjonssjekk

Før man starter en veieserie, utfør en funksjonssjekk av veieplattformen og den tilkoblede veieterminalen.



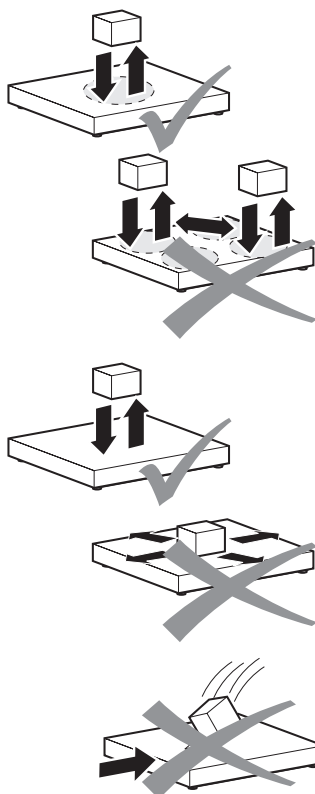
1. Forsikre deg om at veieplattformen er koblet til en veieterminal og at veieterminalen er slått på.
2. Forsikre deg om at veieplattformen er ubelastet og at displayet på veieterminalen viser 0.
3. Belast veieplattformen. Displayet må vise en verdi forskjellig fra 0.
4. Avlast veieplattformen. Displayet skal gå tilbake til 0.

#### Godkjenningstest

For godkjenningstest, se Brukerveiledningen for den tilkoblede veieterminalen. Hvis godkjenningsmerket er brutt, er godkjenningen ikke lenger gyldig.

### 3.6 Viktige merknader

For best mulige veieresultater, pass på følgende:



- ▲ For å oppnå de beste veieresultatene må veieprovnen alltid plasseres på samme sted på vekten.

- ▲ Unngå prosesser som er abrasive og gir slitasje.

- ▲ Unngå fallende laster, støt og sideveis slag.

### 3.7 Installasjon, konfigurasjon, service og reparasjon

- For vedlikehold, konfigurasjon, service og reparasjon av veieplattformene, ring METTLER TOLEDO Service.

## 4 Vedlikehold

### 4.1 Merknader om rengjøring

---

#### MERK

##### Skader på veieplattformen på grunn av feil bruk av rengjøringsmidler.

- ▲ Bruk kun desinfeksjonsmidler og rengjøringsmidler i samsvar med produsentens instruksjoner.
  - ▲ Bruk ikke svært sure, svært alkaliske eller svært klorholdige rengjøringsmidler. Unngå stoffer med høy eller lav pH-verdi, da de fører til økt fare for korrosjon.
  - ▲ Bruk ikke høytrykksvaskere
- 



#### Rengjøringsprosedyre

- Ta av lastplaten, og fjern smuss og fremmedlegemer som kan ha samlet seg under den.
- Ikke bruk harde gjenstander til dette.
- Ikke demonter veieplattformen.
- Rengjør veieplattformen med en myk klut dyppet i et mildt rengjøringsmiddel.

### 4.2 Avfallshåndtering



I henhold til EU-direktiv 2002/96 EF om avfall fra elektrisk og elektronisk utstyr (WEEE), skal ikke denne enheten kastes i vanlig husholdningsavfall. Dette gjelder også for land utenfor EU, iht. landsspesifikke krav.

- I samsvar med lokale bestemmelser må dette produktet leveres inn ved autoriserte innsamlingsbedrifter for elektrisk og elektronisk utstyr.

## 5 Tekniske data og driftsgrenser

### 5.1 Verifiseringsvektintervaller

Verifiseringsvektintervallene i henholdt til OIML og NTEP for veieplattformene i PBA655- / PBA655x-serien er angitt nedenfor.

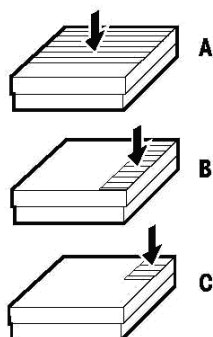
Verifiseringsvektintervall [e] / OIML	Kapasitet						
	6 kg	12 kg	30 kg	60 kg	120 kg	300 kg	600 kg
1 x 6000 e Single Range	1 g	2 g	5 g	10 g	20 g	50 g	100 g / 200 g* NA*

Verifiseringsvektintervall [d] / NTEP	Kapasitet						
	10 lb	20 lb	50 lb	100 lb	200 lb	500 lb	1'000 lb
1 x 10.000 d Single Range	0.001 lb	0.002 lb	0.005 lb	0.01 lb	0.02 lb	0.05 lb	NA*

\* ikke NTEP-godkjent / OIML 2 x 3000 e MR

### 5.2 Maksimum tillatt last

Alle veieplattformer er utstyrt med en overbelastningsbeskyttelse. Med den robuste vektkonstruksjonen kan du av og til overskride nominell kapasitet for plattformen uten at det oppstår skade. Den maksimale statiske bæreevnen må aldri overskrides.



→ Overhold driftsgrensene nedenfor.

Modell	A – sentral last	B – sidelast	C – hjørnelast
PBA655(x)-A...	40 kg / 80 lb	30 kg / 60 lb	15 kg / 30 lb
PBA655(x)-BB...	100 kg / 200 lb	70 kg / 140 lb	35 kg / 70 lb
PBA655(x)-B...	200 kg / 400 lb	140 kg / 280 lb	75 kg / 150 lb
PBA655(x)-BC...	400 kg / 800 lb	300 kg / 600 lb	150 kg / 300 lb
PBA655(x)-CC...	700 kg / 1500 lb	400 kg / 800 lb	200 kg / 400 lb

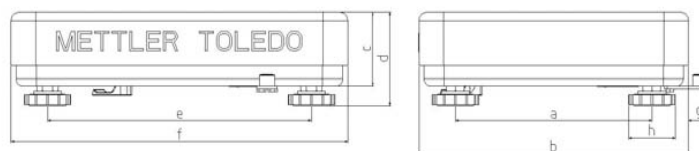
### 5.3 Tekniske data for lastcellen

<b>Følsomhet</b>	2 mV/V +/- 0,2 mV/V
<b>Inngangsmotstand</b>	415 Ω +/- 15 Ω
<b>Utgangsmotstand</b>	350 Ω +/- 3 Ω
<b>Tilførselsspenning</b>	Anbefalt: 10 V DC/AC Maksimum: 15 V DC/AC
<b>Godkjenning</b>	OIML / NTEP / FM
<b>Type antennesbeskyttelse</b>	FM IS / I, II, III / 1 / ABCDEFG / T4 Ta=40°C
<b>IP-beskyttelsestype</b>	IP65

### 5.4 Mål

Sett forfra

Sett fra siden



PBA655(x)-	Mål	a	b	c	d	e	f	g	h
	A...	mm	175	240	62	80	235	300	22
"		6.89	9.45	2.44	3.15	9.25	7.87	0.83	1.65
BB...	mm	235	300	66	86	335	400	22	42
	"	9.25	11.81	2.60	3.39	13.18	15.74	0.83	1.65
B...	mm	335	400	66	86	436	500	22	42
	"	13.18	15.74	2.60	3.39	17.17	19.68	0.83	1.65
BC...	mm	435	500	85	110	587	650	22	42
	"	17.13	19.69	3.35	4.33	23.11	25.59	0.83	1.65
CC...	mm	503	600	97	120	724	800	22	42
	"	19.80	23.62	3.82	4.72	28.5	31.50	0.83	1.65

## 5.5 Tilbehør

Betegnelse	Bestillingsnummer
<b>Søylar *</b>	
Søyle, karbonstål, høyde 330 mm / 13"	72 198 699
Søyle, karbonstål, høyde 660 mm / 26"	72 198 700
Søyle, karbonstål, høyde 900 mm / 35.4"	72 198 701
Søyle, rustfritt stål, høyde 120 mm / 4.7"	72 229 393
Søyle, rustfritt stål, høyde 330 mm / 13"	72 198 702
Søyle, rustfritt stål, høyde 660 mm / 26"	72 198 703
Søyle, rustfritt stål, høyde 900 mm / 35.4"	72 198 689
Gulvstativ, malt karbonstål, høyde 1000 mm / 40"	22 023 451
Gulvstativ, rustfritt stål, høyde 1000 mm / 40"	22 023 503
Frittstående bunnplate i karbonstål	00 503 700
Frittstående bunnplate i rustfritt stål	00 503 701
<b>Stativer og vogner</b>	
Benkestativ på hjul, malt karbonstål, til veieplattformer i B-størrelse	00 503 631
Benkestativ på hjul, malt karbonstål, til veieplattformer i CC-størrelse	00 504 853
Benkestativ på hjul, rustfritt stål, til veieplattformer i B-størrelse	00 503 632
Benkestativ på hjul, rustfritt stål, til veieplattformer i CC-størrelse	00 504 854
Støtte til benkestativ på hjul, malt karbonstål	22 023 460
Vogn, karbonstål, til veieplattformer i BC-størrelse	72 198 696
Vogn, karbonstål, til veieplattformer i CC-størrelse	72 198 697
<b>Spesialtopper, malte karbonstålrammer</b>	
Rulletopp, galvaniserte valser, til veieplattformer i B-størrelse	72 198 705
Rulletopp, galvaniserte valser, til veieplattformer i BC-størrelse	72 198 707
Rulletopp, galvaniserte valser, til veieplattformer i CC-størrelse	72 198 709
Kuletopp, til veieplattformer i B-størrelse	72 198 691
Kuletopp, til veieplattformer i BC-størrelse	72 198 692
Kuletopp, til veieplattformer i CC-størrelse	72 198 693
<b>Konnektivitet</b>	
Skjøteledning, 10 m	00 504 134
Tilkoblingssett til ID-terminal	00 504 133
Spesialkabel på trommel, 100 m	00 504 177

\* Terminalbraketter er ikke inkludert. Se terminalbrosjyren.



[www.mt.com/support](http://www.mt.com/support)

For more information

**Mettler-Toledo GmbH**

Im Langacher 44  
CH-8606 Greifensee, Switzerland  
Tel. +41 (0) 44-944 22 11  
Fax +41 (0) 44-944 45 10  
[www.mt.com](http://www.mt.com)

Subject to technical changes  
© Mettler-Toledo GmbH 01/2016  
Order number 30303763A NEU

