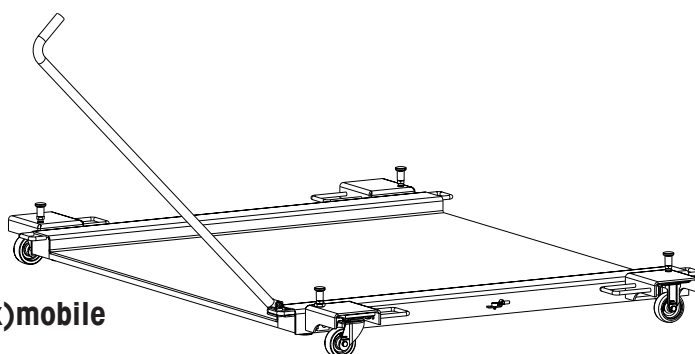


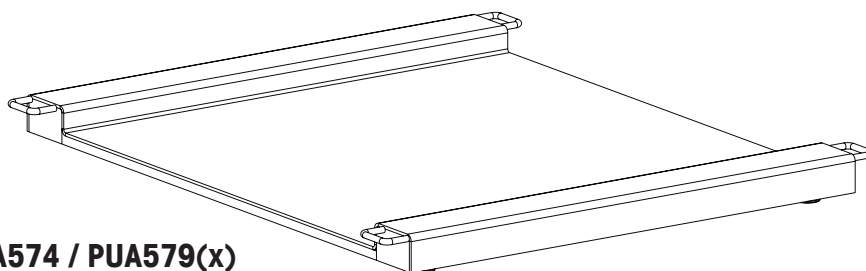
PUA-series

Low profile weighing platforms

PUA579(x)mobile



PUA574 / PUA579(x)



METTLER TOLEDO

Contents

English	3
Polski	16
Čeština	29
Magyar	41
Türkçe	53

English (Original instructions)

METTLER TOLEDO Service

Congratulations on choosing the quality and precision of METTLER TOLEDO. Proper use of your new equipment according to this User manual and regular calibration and maintenance by our factory-trained service team ensures dependable and accurate operation, protecting your investment. Contact us about a service agreement tailored to your needs and budget. Further information is available at www.mt.com/service.

There are several important ways to ensure you maximize the performance of your investment:

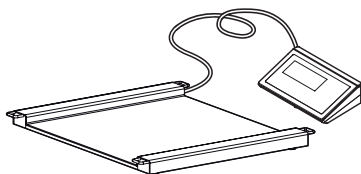
1. **Register your product:** We invite you to register your product at www.mt.com/productregistration so we can contact you about enhancements, updates and important notifications concerning your product.
2. **Contact METTLER TOLEDO for service:** The value of a measurement is proportional to its accuracy – an out of specification scale can diminish quality, reduce profits and increase liability. Timely service from METTLER TOLEDO will ensure accuracy and optimize uptime and equipment life.
 - **Installation, Configuration, Integration and Training:**
Our service representatives are factory-trained weighing equipment experts. We make certain that your weighing equipment is ready for production in a cost effective and timely fashion and that personnel are trained for success.
 - **Initial Calibration Documentation:**
The installation environment and application requirements are unique for every industrial scale so performance must be tested and certified. Our calibration services and certificates document accuracy to ensure production quality and provide a quality system record of performance.
 - **Periodic Calibration Maintenance:**
A Calibration Service Agreement provides on-going confidence in your weighing process and documentation of compliance with requirements. We offer a variety of service plans that are scheduled to meet your needs and designed to fit your budget.

PUA-series weighing platforms

1	Safety instructions	5
1.1	Intended use	5
1.2	Misuse	5
1.3	General safety precautions	5
1.4	Safety precautions for operation in hazardous areas	5
1.5	Safety precautions for mobile weighing platforms	5
2	Introduction	6
2.1	PUA-series low profile weighing platforms	6
2.2	About this user manual	6
2.3	Further documents	6
3	Operation	7
3.1	Checking the location	7
3.2	Checking the weighing platform	7
3.3	Important notes	8
3.4	Operation with access ramps	9
3.5	Instructions for PUA579(x) mobile	9
3.6	Installation, service and repair	11
4	Maintenance	12
4.1	Notes on cleaning	12
4.2	Cleaning from below (in conjunction with a lifting device)	13
4.3	Subsequent treatment	14
4.4	Disposal	14
5	Technical data and operating limits	14
5.1	Maximum verification scale interval	14
5.2	Maximum permissible load	15
5.3	Ambient conditions	15
5.4	Digital weighing interface specification (safe area only)	15
5.5	Connectivity to weighing terminals	15
5.6	Specifications for Category 2 / Category 3	15

1 Safety instructions

1.1 Intended use



PUA-series low profile weighing platforms are part of a modular weighing system consisting of a METTLER TOLEDO weighing terminal as indicator and at least one weighing platform.

- Use the weighing platform only for weighing in accordance with this user manual.
- The weighing platform is intended for indoor use only.
- Any other type of use is considered as not intended.
- For driving over the low profile weighing platform only use pallet trucks. For weight limits refer to page 15.

Legal metrology

- For use in legal metrology only use approved weighing platforms.
- When using in legal metrology, the operating company is responsible for observing all the national weights & measurements requirements.
- Please contact the METTLER TOLEDO Service organization for questions related to the use in legal for trade applications.

1.2 Misuse

- ▲ Do not use the weighing platform other than for weighing operations.
- ▲ Do not use the weighing platform in an other environment or category than specified in the table in section 2.1.
- ▲ Do not modify the weighing platform.
- ▲ Do not use the weighing platform beyond the limits of technical specifications.
- ▲ Do not use the weighing platform for storing goods.
- ▲ Avoid falling goods on the weighing platform.

1.3 General safety precautions

- ▲ Use only genuine METTLER TOLEDO accessories and cable assemblies with this product. Use of unauthorized or counterfeit accessories or cable assemblies may result in voided warranty, improper or erroneous operation, or damage to property (including the unit) and personal injury.

1.4 Safety precautions for operation in hazardous areas



Specific weighing platforms of the PUA-series are approved according to Category 2 or Category 3, see section 2.1.

The operating company is responsible for the safe operation of the explosion protected weighing system.

- ▲ Strictly observe the safety instructions of the operating company.
- ▲ Comply with all national regulations for operation in hazardous areas, as well as the instructions and information in this user manual.

1.5 Safety precautions for mobile weighing platforms

- ▲ Only instructed personnel may operate the mobile weighing platforms.

2 Introduction

2.1 PUA-series low profile weighing platforms

This user manual focuses on the products listed below.

The PUA-series offers a variety of weighing platforms to fit your requirements.

Each type is available

- in various sizes and capacities,
- as approved or non-approved version.

Type	Material	Environment	Ex approval
PUA574	Painted	Dry	–
PUA579	Stainless steel	Wet	analog versions only: Category 3
PUA579mobile			Category 2
PUA579x			
PUA579xmobile			

2.2 About this user manual

This user manual contains all information for the **operator** of the weighing platforms of the PUA-series.



- Read this user manual carefully before use.
- Keep this user manual for future reference.
- Pass this user manual to any future owner or user of the product.

2.3 Further documents

In addition to this printed user manual you can download the following documents from www.mt.com:

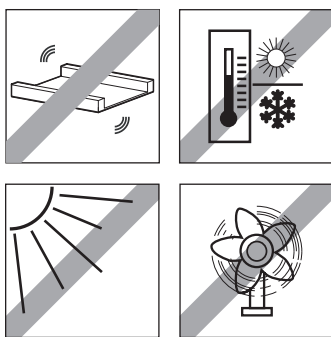
- Brochure
- Technical data sheet
- Installation information (for trained personnel under the control of the operating company)

Type approval documents for use in hazardous areas

Mechanic assessment of weighing platforms Category 2 / Category 3	PUA579(x) PUA579(x)mobile	BVS 05 ATEX H/B 116
Category 3 Load cells / scale interfaces	Load cell 0745A	KEMA 03ATEX1070
	Used until June 2019: System solution Analog Ex2 System component Analog Ex2	BVS 08 ATEX E 063
	Used as from March 2019: AJB579xx-a	BVS 18 ATEX E 008
Category 2 Load cells / scale interfaces	Load cell 0745A	KEMA 03ATEX1069
	Used until June 2019: System solution Analog Ex1	BVS 04 ATEX E 221
	Used as from March 2019: AJB579x-a	BVS 18 ATEX E 007

3 Operation

3.1 Checking the location



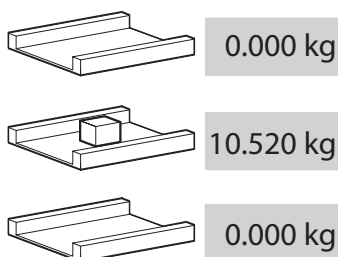
The correct location is crucial for the accuracy of the weighing results.

1. Ensure that the location of the weighing platform is stable, vibration-free and horizontal.
2. Observe the following environmental conditions:
 - No direct sunlight
 - No strong drafts
 - No excessive temperature fluctuations

3.2 Checking the weighing platform

Function check

Before starting a weighing series, perform a function check of the weighing platform and the connected weighing terminal.



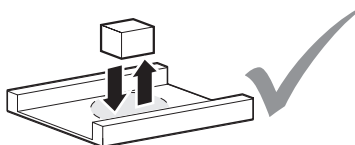
1. Make sure that the lifting device is closed and locked correctly.
2. Make sure that the weighing platform is connected to a weighing terminal and that the weighing terminal is switched on.
3. Make sure that the weighing platform is unloaded and the display of weighing terminal shows 0.
4. Load the weighing platform.
The display must show a value different from 0.
5. Unload the weighing platform.
The display must return to 0.

Verification test

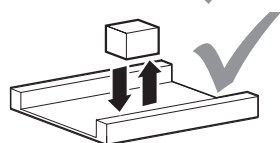
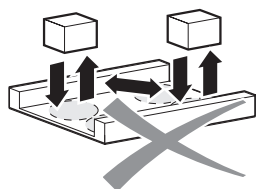
For a verification test refer to the user manual of the connected weighing terminal.
If the verification seal is broken, verification is no longer valid.

3.3 Important notes

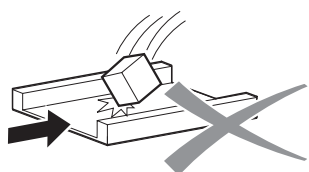
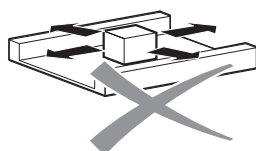
For best weighing results observe the following:



- ▲ To achieve best weighing results place the weighing sample always in the middle of the weighing platform.



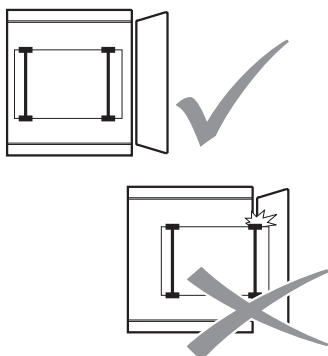
- ▲ Avoid abrasive and wear processes.



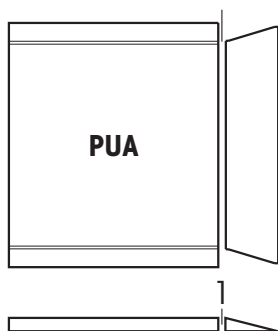
- ▲ Avoid falling loads, shocks and lateral impacts.

3.4 Operation with access ramps

The load plate of the weighing platform is an active weighing component. The access ramps are passive.



→ Make sure that during the weighing process all wheels of the transport vehicle are on the load plate.



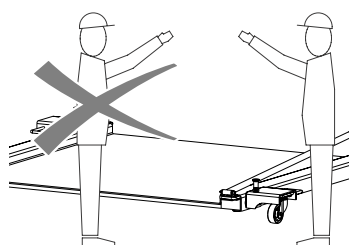
→ Make sure that the gap (1) between weighing platform and ramp is free from dirt deposits.

3.5 Instructions for PUA579(x) mobile

3.5.1 Safety notes



WARNING
Danger of crushing.

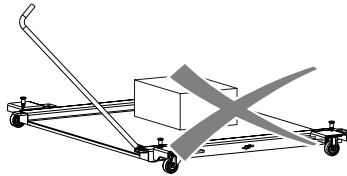


- ▲ Only instructed personnel may operate the mobile weighing platforms.
- ▲ Operate the mobile weighing platform only from the side.
- ▲ Operate the roller boxes only with both hands.



CAUTION

Damage to and/or malfunction of the mobile weighing platform.

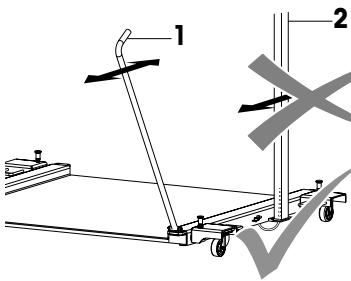


- ▲ Weighing samples or other loads are not permitted on the mobile weighing platform while moving it.
- ▲ Put on weighing samples only in weighing mode.



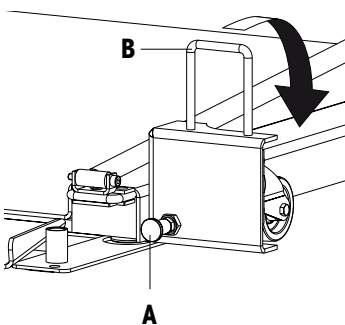
CAUTION

Damage to and/or malfunction of the mobile weighing platform.

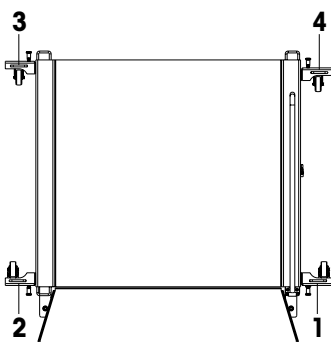


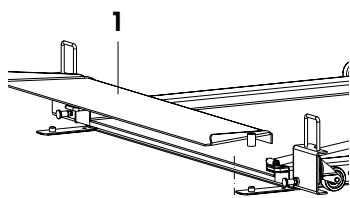
- ▲ Ensure that the connection cable does not touch the floor.
- ▲ Use only the drawbar (1) to pull or push the unit in moving mode. Under no circumstances pull or push at the stand (2).

3.5.2 Establishing the moving mode

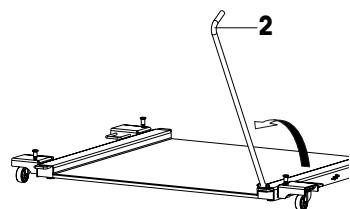


1. Start at roller box 1 (moving roller).
2. Unbolt the lock (A) with one hand and keep it pulled out.
3. Use the other hand to tilt the lever (B) downwards until the lock latches in again.
4. Proceed at roller boxes 2 to 4 as described under steps 2 and 3.



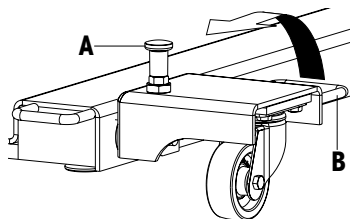


5. Hang out the access ramp (1) and put aside or respectively pull out the Rampfix under the weighing platform.

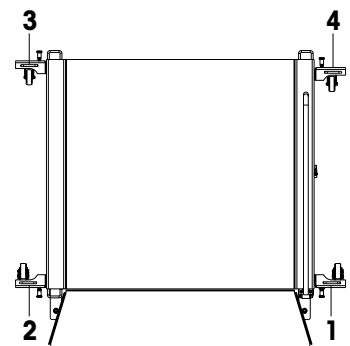


6. Tilt the drawbar (2) forwards and move the scale

3.5.3 Establishing the weighing mode



1. Tilt the drawbar downwards onto the weighing platform.
2. Start at roller box 4.
3. Unbolt the lock (A) with one hand and keep it pulled out.
4. Use the other hand to tilt the lever (B) upwards until the lock latches in again.
5. Proceed at roller boxes 3 to 1 as described in steps 2 and 3.
6. Check whether the weighing platform is positioned correctly.
7. Check the level of the weighing platform.



3.6 Installation, service and repair

- For installation, configuration, service and repair of the weighing platforms call the METTLER TOLEDO Service.

4 Maintenance

Maintenance of the weighing platform is limited to regular cleaning and subsequent oiling for stainless steel versions.

4.1 Notes on cleaning

NOTICE

Damage to the weighing platform due to incorrect use of cleaning agents.

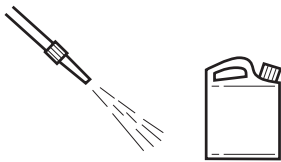
- ▲ Use only such cleaning agents that do not act on the plastics used in the weighing platform.
 - ▲ Only use disinfectants and cleaning agents in accordance with the manufacturer's instructions.
 - ▲ Do not use highly acidic, highly alkaline or highly chlorinated cleaning agents. Avoid substances with a high or low pH value, otherwise increased danger of corrosion exists.
 - ▲ Be particularly careful when cleaning from below (in conjunction with a lifting device).
-

- Remove dirt and deposits at regular intervals from above and below the weighing platform.
 - The procedure depends both on the type of surface and on the environmental conditions prevailing at the installation location.
 - Cleaning from below only in conjunction with a lifting device.



Cleaning in a dry environment (painted version)

- Wipe with a damp cloth.
- Use household cleaning agents.

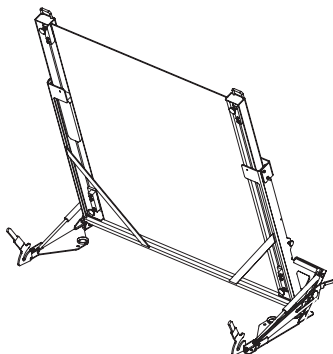


Cleaning in a corrosive environment (stainless steel version)

- Use a water jet up to 80 °C / 176 °F and max. 80 bars, minimum distance 40 cm.
- Remove corrosive substances at regular intervals.
- Only use disinfectants and cleaning agents in accordance with the manufacturer's specifications and instructions.
- Check the gap between the weighing platform and the access ramp/wheel set and remove any soiling.

4.2 Cleaning from below (in conjunction with a lifting device)

To tilt the low profile weighing platform, a lifting device is available from METTLER TOLEDO. For installing and operating the lifting device refer to the corresponding documentation (ME-22015711 and ME-22016758).



Safety precautions for operating the lifting device

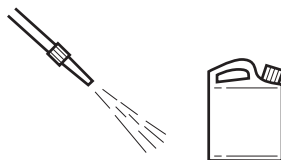
- ▲ Do not operate the lifting device outside the temperature range of $-10\text{ }^{\circ}\text{C}$ to $+40\text{ }^{\circ}\text{C}$ / 14°F to 104°F . Otherwise, the safety of the pneumatic springs is not guaranteed.
- ▲ Only instructed personnel may operate the lifting device.
- ▲ The lifting device must be checked to ensure compliance with the safety requirements before being put into service for the first time, following any service work and at least every 3 years.



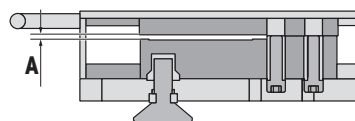
CAUTION

Even minor damage, corrosion or flecks of paint on the piston rod lead to failure of the pneumatic springs.

- ▲ Protect pneumatic springs against soiling and damage.

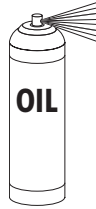


1. Tilt the weighing platform with a lifting device.
2. Remove corrosive substances, dirt and deposits regularly from the surface.
3. Use a water jet up to $60\text{ }^{\circ}\text{C}$ / $140\text{ }^{\circ}\text{F}$, max. 2 bars, minimum distance 40 cm.



4. Use compressed air to remove dirt particles from the gap (A) between the overload protection of the load sensor and the load frame of the weighing platform.

4.3 Subsequent treatment



- In order to protect the weighing platform, carry out the following subsequent treatment:
- Rinse the weighing platform with clear water and remove cleaning agent completely.
 - Dry off the weighing platform with a lint-free cloth.
 - Oil the stainless steel weighing platform regularly from above and below with an oil suitable for foodstuffs.

4.4 Disposal



In conformance with the European Directive 2002/96 EC on Waste Electrical and Electronic Equipment (WEEE), this device may not be disposed of with domestic waste. This also applies to countries outside the EU, according to their specific requirements.

- Please dispose of this product in accordance with local regulations at the collecting point specified for electrical and electronic equipment.

Disposal of pneumatic springs of the lifting device

- The pneumatic springs must not be opened or heated.
- The pneumatic springs may only be opened according to the manufacturer's instructions.
- The oil filling of the pneumatic springs must be disposed of according to the manufacturer's instructions.

5 Technical data and operating limits

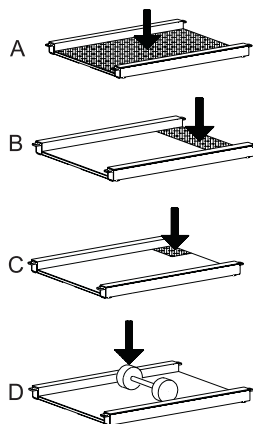
5.1 Maximum verification scale interval

The verification scale interval depends on the load cell and scale configuration. The maximum verification scale interval is given below.

Max. verification scale interval [e]	Capacity			
	300 kg	600 kg	1200 kg	1500 kg
3 x 3000 e Multi Range max / e [kg]	–	–	–	300 / 0.1 600 / 0.2 1500 / 0.5
1 x 6000 e Single Range [kg]	0.05	0.1	0.2	–

5.2 Maximum permissible load

All weighing platforms are equipped with an overload protection. However, if the load exceeds the maximum permissible load, damage of mechanical parts may occur.



The static load-bearing capacity, i.e. the maximum permissible load, is dependent on the type of loading (positions A – D).

Position	PUA57..CS PUA57..FL	PUA57..E PUA57..FM	PUA57..FH
A central load	800 kg	1850 kg	3000 kg
B side load	400 kg	900 kg	1800 kg
C one-sided corner load	300 kg	450 kg	900 kg
D individual wheel load min. wheel distance 500 mm	200 kg	400 kg	800 kg

5.3 Ambient conditions

The weighing platform and the gas pressure springs of the raisable weighing platforms may only be operated in the range of –10 °C to + 40 °C / 14° F to 104 °F.

5.4 Digital weighing interface specification (safe area only)

Interface type	RS422
Interface protocol	SICSpro
Max. cable length	20 m

5.5 Connectivity to weighing terminals

Weighing interface	Weighing terminal
SICSpro	Any METTLER TOLEDO weighing terminal with SICSpro RS422 interface may be connected.
ACC409xx SICSpro-IDNet adapter (option)	Only the following METTLER TOLEDO legacy IDNet weighing terminals may be connected: IND570, IND690, IND780, IND890, ID7, ICS__9, ICS__5.

5.6 Specifications for Category 2 / Category 3

You will find the specifications for Category 2 / Category 3 in the corresponding type approval documents, see table in section 2.3.

Polski (Tłumaczenie)

METTLER TOLEDO Service

Gratulujemy wyboru jakości i precyzji firmy METTLER TOLEDO. Stosowanie nowego urządzenia zgodne z informacjami podanymi w podręczniku użytkownika oraz regularna kalibracja i konserwacja wykonywana przez nasz przeszkolony w zakładzie zespół serwisowy zapewniają niezawodną i dokładną pracę, chroniąc Państwa inwestycję. Prosimy o kontakt w sprawie umowy serwisowej dostosowanej do indywidualnych potrzeb i budżetu. Więcej informacji dostępnych jest na stronie www.mt.com/service.

Istnieje kilka ważnych rozwiązań zapewniających zmaksymalizowanie wydajności poczynionej inwestycji:

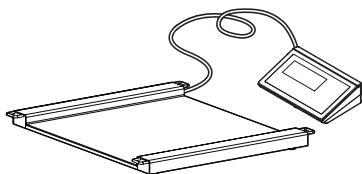
1. **Zarejestruj swój produkt:** Zapraszamy do rejestracji Państwa produktu pod adresem www.mt.com/productregistration
Dzięki temu będziemy posiadali możliwość skontaktowania się z Państwem w przypadku rozszerzeń, aktualizacji i ważnych wiadomości dot. produktu.
2. **W celu skorzystania z usług serwisowych należy skontaktować się z firmą METTLER TOLEDO:** Wartość pomiaru jest proporcjonalna do jego dokładności – stosowanie skali niezgodnej ze specyfikacją może prowadzić do spadku jakości, zmniejszenia zysków i zwiększenia odpowiedzialności. Terminowy przegląd serwisowy wykonany przez METTLER TOLEDO zagwarantuje precyzyjność, zoptymalizuje czas pracy bez przestoju oraz żywotność urządzenia.
 - **Montaż, konfiguracja, integracja i szkolenie:**
Nasi przedstawiciele serwisowi są przeszkolonymi w zakładzie ekspertami ds. urządzeń ważących. Gwarantujemy, że nasze urządzenie jest gotowe do produkcji w rozsądnej cenie i na czas, a personel jest w pełni przeszkolony w celu zapewnienia sukcesu biznesowego.
 - **Dokumentacja dotycząca kalibracji wstępnej:**
Ze względu na unikalność środowiska montażowego oraz wymagań w odniesieniu do zastosowań każdej wagi przemysłowej konieczne jest przeprowadzenie testów oraz certyfikacji sprawności. Nasze usługi kalibracji i certyfikaty dowodzą dokładności w celu zapewnienia wysokiej jakości produkcji oraz rejestru systemu jakości w odniesieniu do wydajności.
 - **Konserwacja okresowa kalibracji:**
Umowa na wykonanie usługi kalibracji zapewnia stałe zachowanie pewności dotyczącej procesu ważenia i zgodności dokumentacji z wymaganiami. Oferujemy różne plany usług opracowane zgodnie z wymaganiami klienta, a także w celu dopasowania do wielkości budżetu.

Platformy ważące serii PUA

1	Instrukcje bezpieczeństwa	18
1.1	Stosowanie zgodne z przeznaczeniem	18
1.2	Niewłaściwe użycie	18
1.3	Ogólne środki dotyczące bezpieczeństwa	18
1.4	Środki ostrożności w przypadku eksploatacji urządzenia w strefach zagrożonych wybuchem	19
1.5	Środki ostrożności dotyczące mobilnych platform ważących	19
2	Wstęp	19
2.1	Niskoprofilowe platformy ważące serii PUA	19
2.2	Informacje o niniejszym podręczniku użytkownika	19
2.3	Pozostała dokumentacja	20
3	Obsługa urządzenia	20
3.1	Sprawdzenie miejsca montażu	20
3.2	Kontrola platformy ważącej	21
3.3	Ważne informacje	21
3.4	Obsługa wraz rampami dostępowymi	22
3.5	Zalecenia dotyczące modelu PUA579(x) mobile	22
3.6	Montaż, serwis i naprawa	24
4	Konserwacja	25
4.1	Uwagi dot. czyszczenia	25
4.2	Czyszczenie od spodu urządzenia (przy wykorzystaniu urządzenia podnoszącego)	26
4.3	Dalsze kroki procedury czyszczenia	26
4.4	Utylizacja	27
5	Dane techniczne i parametry graniczne pracy urządzenia	27
5.1	Maksymalna podziałka legalizacji skali	27
5.2	Maksymalne dopuszczalne obciążenie	28
5.3	Warunki otoczenia	28
5.4	Specyfikacja cyfrowego interfejsu ważenia (opcja wyłącznie dla obszaru bezpiecznego)	28
5.5	Podłączenie do terminalów wagowych	28
5.6	Specyfikacja Kategorii 2 / Kategorii 3	28

1 Instrukcje bezpieczeństwa

1.1 Stosowanie zgodne z przeznaczeniem



Seria PUA niskoprofilowe platformy ważące stanowią część modułowego systemu ważenia składającego się z terminalu wagowego firmy METTLER TOLEDO pełniącego funkcję wskaźnika oraz z co najmniej jednej platformy ważącej.

- Platformę ważącą należy stosować wyłącznie do ważenia zgodnie z informacjami podanymi w niniejszym podręczniku użytkownika.
- Platforma ważąca jest przeznaczona wyłącznie do stosowania w pomieszczeniach.
- Każde inne stosowanie jest uznawane za niezgodne z przeznaczeniem.
- Po niskoprofilowej platformie ważącej można jeździć wyłącznie wózkami paletowymi. Wartości graniczne ciężaru patrz strona 28.

Metrologia prawna

- W przypadku zastosowań w zakresie metrologii prawnej należy stosować wyłącznie platformy ważące.
- W przypadku zastosowań w zakresie metrologii prawnej firma obsługująca jest odpowiedzialna za przestrzeganie wszystkich krajowych wymagań dotyczących miar i wag.
- W przypadku pytań związanych z dopuszczeniem do legalnego stosowania w handlu należy skontaktować się z organizacją usługową METTLER TOLEDO.

1.2 Niewłaściwe użycie

- ▲ Nie stosować platformy ważącej do innych celów niż operacje ważenia.
- ▲ Nie stosować platformy ważącej w innym środowisku ani kategorii niezgodnych ze specyfikacją podaną w tabeli w punkcie 2.1.
- ▲ Nie wolno modyfikować platformy ważącej.
- ▲ Nie stosować platformy ważącej poza wartościami granicznymi podanymi w specyfikacji technicznej.
- ▲ Nie korzystać z platformy ważącej do przechowywania towarów.
- ▲ Unikać upadku towarów na platformę ważącą.

1.3 Ogólne środki dotyczące bezpieczeństwa

- ▲ Z produktem tym należy stosować wyłącznie oryginalne akcesoria i systemy kablowe firmy METTLER TOLEDO. Zastosowanie niedozwolonych lub nieoryginalnych akcesoriów lub systemów kablowych może przyczynić się do utraty gwarancji, nieprawidłowego lub błędnego działania produktu bądź uszkodzenia mienia (włączając urządzenie) lub obrażeń ciała.

1.4 Środki ostrożności w przypadku eksploatacji urządzenia w strefach zagrożonych wybuchem



Specjalistyczne platformy ważące serii PUA są zatwierdzone do stosowania zgodnie z Kategorią 2 lub Kategorią 3, patrz tabela w punkcie 2.1.

Firma obsługująca urządzenia jest odpowiedzialna za bezpieczną obsługę przeciwwybuchowego systemu ważenia.

- ▲ Ścisłe przestrzegać zaleceń dotyczących bezpieczeństwa firmy obsługującej urządzenie.
- ▲ Zapewnić zgodność ze wszystkimi krajowymi przepisami odnoszącymi się do stref zagrożonych wybuchem, jak również z zaleceniami i informacjami podanymi w niniejszym podręczniku użytkownika.

1.5 Środki ostrożności dotyczące mobilnych platform ważących

- ▲ Wyłącznie odpowiednio poinstruowana osoba może obsługiwać mobilne platformy ważące.

2 Wstęp

2.1 Niskoprofilowe platformy ważące serii PUA

Niniejszy podręcznik użytkownika dotyczy produktów wymienionych poniżej.

Seria PUA obejmuje różne platformy ważące w celu dopasowania do wymagań.

Każdy typ jest dostępny

- w różnych rozmiarach i obciążeniach,
- zgodnie z zatwierdzoną lub niezatwierdzoną wersją.

Typ	Materiał	Środowisko	Dopuszczenie do stref zagrożonych wybuchem
PUA574	Malowany	Suche	–
PUA579	Stal nierdzewna	Mokre	tylko wersje analogowe: Kategoria 3
PUA579mobile			Kategoria 2
PUA579x			
PUA579xmobile			

2.2 Informacje o niniejszym podręczniku użytkownika

Niniejszy podręcznik użytkownika zawiera wszystkie informacje dotyczące **obsługi** platform ważących serii PUA.



- Przed użyciem należy przeczytać niniejszy podręcznik użytkownika.
- Zachować podręcznik użytkownika w celu przyszłego wykorzystania.
- Przekazać niniejszy podręcznik użytkownika przyszłemu właścicielowi lub użytkownikowi produktu.

2.3 Pozostała dokumentacja

W uzupełnieniu do niniejszego podręcznika użytkownika w formie papierowej zaleca się pobranie ze strony internetowej www.mt.com następujących dokumentów:

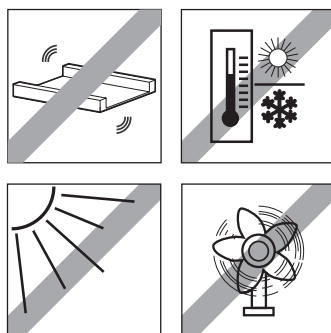
- Broszura
- Karta danych technicznych
- Informacje dotyczące montażu (przeznaczone dla przeszkolonego personelu pod kontrolą firmy obsługującej urządzenie)

Dokumentacja aprobaty typu dotycząca przeznaczenia do stosowania w strefach zagrożonych wybuchem

Ocena mechaniczna platform wążących Kategorii 2 / Kategorii 3	PUA579(x) PUA579(x)mobile	BVS 05 ATEX H/B 116
Kategoria 3 Ogniwa obciążnikowe / interfejsy wagi	Ogniwo obciążnikowe 0745A	KEMA 03ATEX1070
	Stosowana do czerwca 2019: Rozwiązanie systemowe Analog Ex2 Komponent systemu Analog Ex2	BVS 08 ATEX E 063
	Stosowana od marca 2019: AJB579xx-a	BVS 18 ATEX E 008
Kategoria 2 Ogniwa obciążnikowe / interfejsy wagi	Ogniwo obciążnikowe 0745A	KEMA 03ATEX1069
	Stosowana do czerwca 2019: Rozwiązanie systemowe Analog Ex1	BVS 04 ATEX E 221
	Stosowana od marca 2019: AJB579x-a	BVS 18 ATEX E 007

3 Obsługa urządzenia

3.1 Sprawdzenie miejsca montażu



Prawidłowe miejsce montażu jest kluczowe w celu zapewnienia precyzyjnych wyników ważenia.

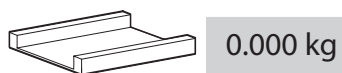
1. Upewnić się, że miejsce montażu platformy wążącej jest stabilne, wolne od drgań i wypoziomowane.
2. Przestrzegać następujących wytycznych dotyczących warunków pracy:
 - Brak bezpośredniego nasłonecznienia
 - Brak silnych podmuchów powietrza
 - Brak nadmiernego wahań się temperatury

3.2 Kontrola platformy ważącej

Kontrola działania

Przed uruchomieniem serii ważenia należy przeprowadzić kontrolę działania platformy ważącej oraz podłączonego terminalu wagowego.

1. Upewnić się, że urządzenie podnoszące jest prawidłowo zamknięte i zablokowane.
2. Upewnić się, że platforma ważąca jest podłączona do terminalu wagowego, a terminal wagowy jest włączony.
3. Upewnić się, że platforma ważąca jest pusta, a wyświetlacz terminalu wagowego wskazuje wartość 0.
4. Obciążyć platformę ważącą.
Wyświetlacz powinien wskazywać wartość różną od 0.
5. Odciążyć platformę ważącą.
Wyświetlacz powinien ponownie wskazać wartość 0.



0.000 kg



10.520 kg



0.000 kg

Kontrola legalizacji

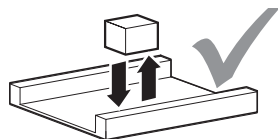
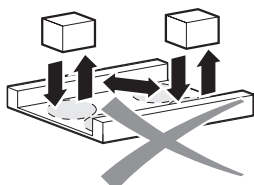
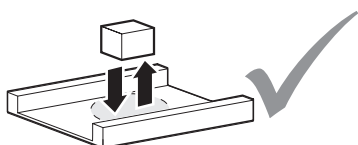
W celu przeprowadzenia kontroli legalizacji należy zapoznać się z informacjami podanymi w podręczniku użytkownika podłączonego terminalu wagowego.

Jeśli plomba legalizacyjna jest zerwana, legalizacja zostaje unieważniona.

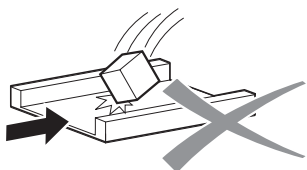
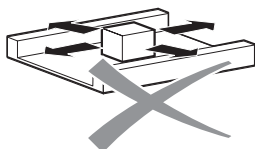
3.3 Ważne informacje

W celu uzyskania precyzyjnych wyników ważenia należy przestrzegać następujących zaleceń:

- ▲ W celu uzyskania precyzyjnych wyników ważenia próbkę należy zawsze umieszczać na środku platformy ważącej.



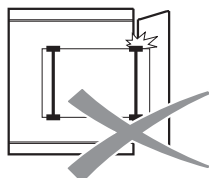
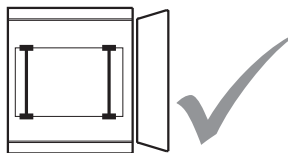
- ▲ Unikać procesów ściernych i powodujących zużycie.



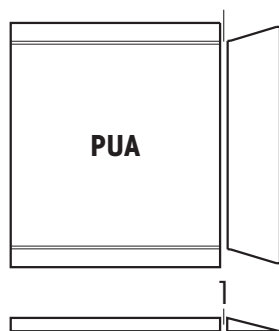
- ▲ Unikać upadania ładunków, wstrząsów i uderzeń bocznych.

3.4 Obsługa wraz rampami dostępowymi

Płyta obciążenia platformy ważącej jest aktywnym komponentem ważącym. Rampy dostępowe są elementami pasywnymi.



→ Upewnić się, że podczas operacji ważenia wszystkie koła pojazdu transportowego znajdują się na płycie obciążenia.



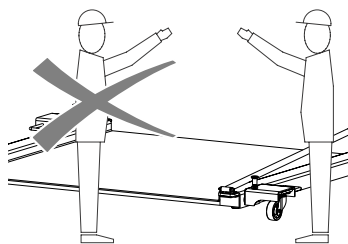
→ Upewnić się, że szczelina (1) pomiędzy platformą ważącą a rampą jest wolna od zabrudzeń.

3.5 Zalecenia dotyczące modelu PUA579(x) mobile

3.5.1 Uwagi dotyczące bezpieczeństwa



OSTRZEŻENIE
Niebezpieczeństwo zmiążdżenia.

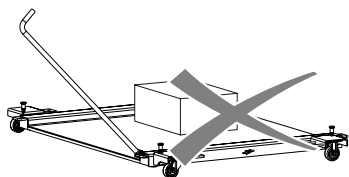


- ▲ Wyłącznie odpowiednio poinstruowana osoba może obsługiwać mobilne platformy ważące.
- ▲ Mobilną platformę ważącą można obsługiwać wyłącznie z boku.
- ▲ Obsługa kółek może odbywać wyłącznie dwoma rękami.



OSTROŻNIE

Uszkodzenie i/lub nieprawidłowe działanie mobilnej platformy ważącej.

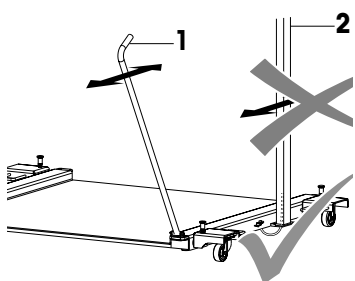


- ▲ Podczas przemieszczania mobilnej platformy ważącej zabrania się umieszczania na niej próbek lub innych ładunków.
- ▲ Próbkę można umieszczać na platformie ważącej wyłącznie po włączeniu trybu ważenia.



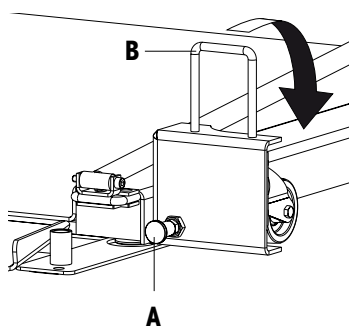
OSTROŻNIE

Uszkodzenie i/lub nieprawidłowe działanie mobilnej platformy ważącej.

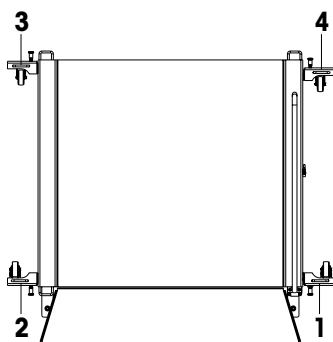


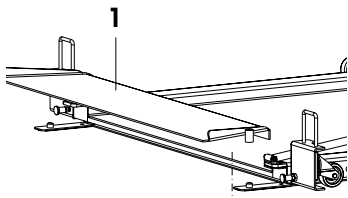
- ▲ Upewnić się, że przewód łączący nie dotyka podłoża.
- ▲ Do ciągnięcia lub pchania urządzenia w trybie transportowym należy używać wyłącznie drążka (1). W żadnym wypadku nie ciągnąć ani nie pchać platformy ważącej w położeniu spoczynkowym (2).

3.5.2 Ustawienie trybu transportowego

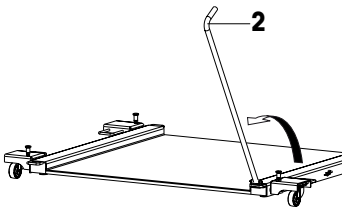


1. Rozpocząć do kółka 1 (kółko ruchome).
2. Odkręcić blokadę (A) jedną ręką, przytrzymując ją w położeniu wysuniętym.
3. Drugą ręką przechylić dźwignię (B) w kierunku do dołu do momentu ponownego zatrzaśnięcia blokady.
4. Powyższą czynność wykonać dla pozostałych kółek, od 2 do 4, zgodnie z opisem w krokach 2 i 3.



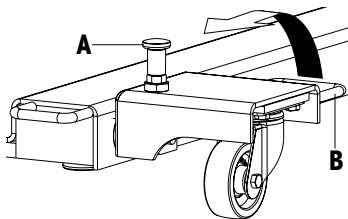


5. Zamocować rampę dostępową (1) i ułożyć ją z boku lub odpowiednio wysunąć Rampfix spod platformy ważącej.

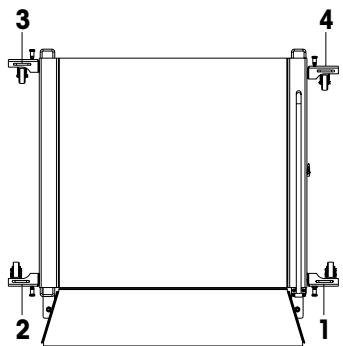


6. Przechylić drążek (2) w kierunku do przodu, a następnie przemieścić wagę.

3.5.3 Ustawienie trybu ważenia



1. Przechylić drążek do dołu w kierunku platformy ważącej.
2. Rozpocząć do kółka 4.
3. Odkręcić blokadę (A) jedną ręką, przytrzymując ją w położeniu wysuniętym.
4. Drugą ręką przechylić dźwignię (B) w kierunku do góry do momentu ponownego zatrzaśnięcia blokady.
5. Powyższą czynność wykonać dla pozostałych kółek, od 3 do 1, zgodnie z opisem w krokach 2 i 3.
6. Sprawdzić, czy platforma ważąca została prawidłowo ustawiona.
7. Sprawdzić poziom platformy ważącej.



3.6 Montaż, serwis i naprawa

- W celu przeprowadzenia montażu, konfiguracji, serwisu i napraw platform ważących należy skontaktować się z działem serwisowym METTLER TOLEDO.

4 Konserwacja

Konserwacja platformy ważącej jest ograniczona do regularnego przeprowadzania czyszczenia i następującego po nim smarowania w przypadku wersji ze stali nierdzewnej.

4.1 Uwagi dot. czyszczenia

UWAGA

Nieprawidłowe zastosowanie środków czyszczących spowoduje uszkodzenie platformy ważącej.

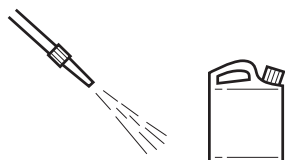
- ▲ Stosować wyłącznie środki czyszczące, które nie działają niszcząco na tworzywa sztuczne zastosowane w platformie ważącej.
- ▲ Stosować wyłącznie środki dezynfekcyjne i czyszczące zgodnie z zaleceniami producenta.
- ▲ Nie stosować środków czyszczących silnie kwasowych, zasadowym lub chlorowych. Unikać substancji o wysokim lub niskim pH, ponieważ w takim przypadku istnieje duże ryzyko wystąpienia korozji.
- ▲ Zachować szczególną ostrożność podczas czyszczenia od spodu urządzenia (przy wykorzystaniu urządzenia podnoszącego).

- Regularnie usuwać zanieczyszczenia i zabrudzenia z części spodniej i górnej platformy ważącej.
 - Procedura zależy zarówno od typu powierzchni, jak i warunków pracy panujących w miejscu montażu.
 - Czyszczenie od spodu urządzenia wyłącznie przy wykorzystaniu urządzenia podnoszącego.



Czyszczenie w środowisku suchym (wersja malowana)

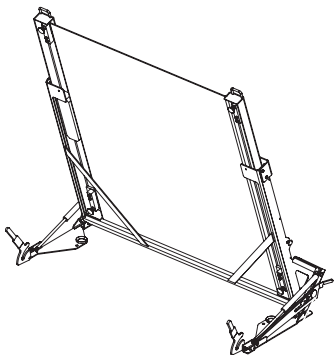
- Przetrzeć wilgotną szmatką.
- Stosować domowe środki czyszczące.



Czyszczenie w środowisku korozyjnym (wersja ze stali nierdzewnej)

- Stosować strumień wody o temperaturze do 80 °C i ciśnieniu maks. 80 barów przy minimalnej odległości 40 cm.
- Regularnie usuwać substancje żrące.
- Stosować wyłącznie środki dezynfekcyjne i czyszczące zgodnie ze specyfikacjami i zaleceniami producenta.
- Sprawdzić szczelinę pomiędzy platformą ważącą a rampą dostępową/zestawem kółek i usunąć wszelkie zabrudzenia.

4.2 Czyszczenie od spodu urządzenia (przy wykorzystaniu urządzenia podnoszącego)



Do przechylenia niskoprofilowej platformy ważącej należy użyć urządzenia podnoszącego od METTLER TOLEDO.

W celu zamontowania i obsługi urządzenia podnoszącego należy zapoznać się z odpowiednią dokumentacją (ME-22015711 i ME-22016758).

Środki ostrożności dotyczące obsługi urządzenia podnoszącego

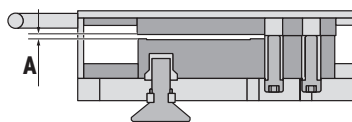
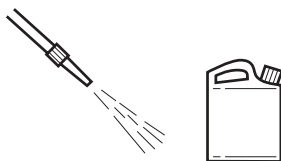
- ▲ Nie obsługiwać urządzenia podnoszącego w temperaturach poza zakresem od $-10\text{ }^{\circ}\text{C}$ do $+40\text{ }^{\circ}\text{C}$. W przeciwnym razie bezpieczeństwo sprężyn pneumatycznych nie może zostać zagwarantowane.
- ▲ Wyłącznie odpowiednio poinstruowana osoba może obsługiwać urządzenie podnoszące.
- ▲ Urządzenie podnoszące musi być kontrolowane pod względem spełniania wymogów bezpieczeństwa przed pierwszym uruchomieniem, po wszystkich pracach serwisowych i co najmniej co 3 lata.



OSTROŻNIE

Nawet niewielkie uszkodzenie, korozja lub plamki farby na tłoczysku mogą prowadzić do nieprawidłowego działania sprężyn pneumatycznych.

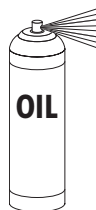
- ▲ Chronić sprężyny pneumatyczne przed zabrudzeniami i uszkodzeniami.



1. Przechylać platformę ważącą wyłącznie przy użyciu urządzenia podnoszącego.
2. Regularnie usuwać z powierzchni substancje korozyjne, zanieczyszczenia i zabrudzenia.
3. Stosować strumień wody o temperaturze do $60\text{ }^{\circ}\text{C}$ i ciśnieniu maks. 2 barów przy minimalnej odległości 40 cm.
4. W celu usunięcia zabrudzeń ze szczeliny (A) pomiędzy zabezpieczeniem przed przeciężeniem czujnika obciążenia a ramą obciążeniową platformy ważenia użyć sprężonego powietrza.

4.3 Dalsze kroki procedury czyszczenia

W celu zabezpieczenia platformy ważącej należy przeprowadzić następujące dalsze kroki procedury czyszczenia:



- Spłukać platformę ważącą czystą wodą i usunąć całkowicie środek czyszczący.
- Osuszyć platformę ważącą przy użyciu szmatki bezkłaczkowej.
- Regularnie smarować platformę ważącą ze stali nierdzewnej zarówno od góry, jak i od spodu olejem przeznaczonym do kontaktu z żywnością.

4.4 Utylizacja



Zgodnie z Dyrektywą Europejską 2002/96 WE w sprawie zużytego sprzętu elektrotechnicznego i elektronicznego (WEEE) niniejsze urządzenie nie może być utylizowane wraz z odpadami domowymi. Dotyczy to również krajów spoza UE, zgodnie z odpowiednimi przepisami krajowymi.

→ Zaleca się utylizację niniejszego produktu zgodnie z przepisami lokalnymi dotyczącymi osobnego składowania zużytego sprzętu elektrotechnicznego i elektronicznego.

Utylizacja sprężyn pneumatycznych urządzenia podnoszącego

- Nie otwierać ani nie nagrzewać sprężyn pneumatycznych.
- Sprężyny pneumatyczne można otworzyć wyłącznie zgodnie z zaleceniami producenta.
- Olej ze sprężyn pneumatycznych musi zostać zutylizowany zgodnie z zaleceniami producenta.

5 Dane techniczne i parametry graniczne pracy urządzenia

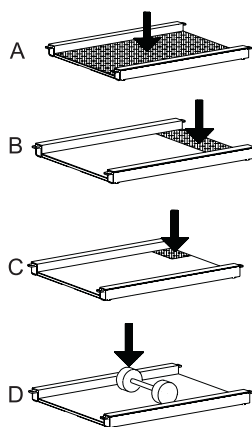
5.1 Maksymalna podziałka legalizacji skali

Podziałka legalizacji skali zależy od konfiguracji ogniwa obciążnikowego i skali. Poniżej znajduje się maksymalna podziałka legalizacji skali.

Maks. podziałka legalizacji skali [e]	Obciążalność			
	300 kg	600 kg	1200 kg	1500 kg
3 x 3000 e Multi Range max / e [kg]	–	–	–	300 / 0,1 600 / 0,2 1500 / 0,5
1 x 6000 e Single Range [kg]	0,05	0,1	0,2	–

5.2 Maksymalne dopuszczalne obciążenie

Wszystkie platformy ważące są wyposażone w zabezpieczenie przed przeciężeniem. Jednakże w przypadku przekroczenia maksymalnego dopuszczalnego obciążenia przez ładunek istnieje ryzyko uszkodzenia części mechanicznych.



Nośność statyczna, np. maksymalne dopuszczalne obciążenie, zależy od rodzaju obciążenia (położenia A – D).

Położenie	PUA57..CS PUA57..FL	PUA57..E PUA57..FM	PUA57..FH
A obciążenie centralne	800 kg	1850 kg	3000 kg
B obciążenie boczne	400 kg	900 kg	1800 kg
C jednostronne obciążenie narożnikowe	300 kg	450 kg	900 kg
D indywidualne obciążenie kółka min. odległość kółek 500 mm	200 kg	400 kg	800 kg

5.3 Warunki otoczenia

Platforma ważąca oraz sprężyny dociskowe gazowe podnoszonych platform ważących mogą pracować wyłącznie w zakresie temperatur otoczenia od $-10\text{ }^{\circ}\text{C}$ do $+40\text{ }^{\circ}\text{C}$

5.4 Specyfikacja cyfrowego interfejsu ważenia (opcja wyłącznie dla obszaru bezpiecznego)

Typ interfejsu RS422
 Protokół interfejsu SICSpro
 Długość maks. przewodu 20 m

5.5 Podłączenie do terminalów wagowych

Interfejs ważenia	Terminal wagowy
SICSpro	Podłączyć można wszystkie terminale wagowe METTLER TOLEDO z interfejsem SICSpro RS422.
Adapter ACC409xx SICSpro-IDNet (opcja)	Podłączyć można wyłącznie następujące wcześniejsze terminale wagowe IDNet METTLER TOLEDO: IND570, IND690, IND780, IND890, ID7, ICS__9, ICS__5.

5.6 Specyfikacja Kategorii 2 / Kategorii 3

Informacje dotyczące specyfikacji Kategorii 2 / Kategorii 3 można znaleźć w odpowiednich aprobaty typu, patrz tabela w punkcie 2.3.

Čeština (Překlad)

METTLER TOLEDO Service

Blahopřejeme k výběru kvality a přesnosti METTLER TOLEDO. Správné používání nového zařízení v souladu s touto příručkou uživatele a pravidelná kalibrace a údržba servisním týmem vyškoleným v našem podniku zajistí spolehlivou a přesnou činnost přístroje a ochrání vaši investici. Obraťte se na nás v záležitosti smlouvy o servisu přizpůsobené vašim potřebám a vašemu rozpočtu. Další informace jsou dostupné na www.mt.com/service.

Zde jsou některé důležité informace, které maximalizují výkon vaší investice:

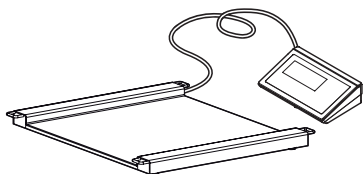
1. **Registrujte svůj produkt:** Zveme vás k registraci produktu na adrese www.mt.com/productregistration a budeme vám zasílat upozornění na zlepšení, aktualizace a důležitá sdělení týkající se vašeho produktu.
2. **Kontaktujte METTLER TOLEDO za účelem servisu:** Hodnota měření je úměrná jeho přesnosti – váha, která je mimo specifikaci může snížit kvalitu, snížit výnosy a zvýšit nutnou odpovědnost. Včasný servis prováděný firmou METTLER TOLEDO zajistí přesnost a optimalizuje dobu bezporuchového chodu a životnost zařízení.
 - **Instalace, konfigurace, integrace a školení:**
Naši servisní zástupci jsou odborníci na vážicí zařízení školení ve výrobě. Zajistíme, aby vaše vážicí zařízení bylo připraveno pro produkci, a to nákladově efektivním způsobem a v časově přijatelném termínu, a osoby byly vyškoleny k dosažení úspěchu.
 - **Dokumentace výchozí kalibrace:**
Prostředí instalace a požadavky aplikace jsou pro každou průmyslovou váhu jedinečné, a proto musí být její výkon testován a certifikován. Naše služby pro kalibraci a certifikaci dokumentují přesnost, aby byla zajištěna kvalita produkce, a poskytují záznam o kvalitě výkonu systému.
 - **Periodická údržba kalibrace:**
Smlouva o kalibračním servisu zajišťuje dodání průběžných informací o vážicím zařízení a dokumentaci o shodě s požadavky. Nabízíme různé varianty servisních schémat, které jsou naplánována tak, aby vyhovovaly vašim potřebám a byly přizpůsobeny vašemu rozpočtu.

Váhové plošiny série PUA

1	Bezpečnostní pokyny	31
1.1	Použití v souladu s určením	31
1.2	Použití v rozporu s určením	31
1.3	Všeobecná bezpečnostní opatření	31
1.4	Bezpečnostní opatření pro činnost v nebezpečných oblastech	31
1.5	Bezpečnostní opatření pro mobilní váhové plošiny	32
2	Úvod	32
2.1	Nízkoprofilové váhové plošiny série PUA	32
2.2	O této příručce uživatele	32
2.3	Další dokumenty	32
3	Obsluha	33
3.1	Kontrola umístění	33
3.2	Kontrola váhové plošiny	33
3.3	Důležité poznámky	34
3.4	Činnost s nájezdovými rampami	34
3.5	Pokyny pro PUA579(x) mobile	35
3.6	Instalace, servis a opravy	37
4	Údržba	37
4.1	Poznámky k čištění	37
4.2	Čištění zespodu (v souvislosti se zdvihacím zařízením)	38
4.3	Dodatečné ošetření	39
4.4	Likvidace	39
5	Technické údaje a hranice činnosti	39
5.1	Maximální interval verifikace váhy	39
5.2	Maximální povolená zátěž	40
5.3	Okolní prostředí	40
5.4	Specifikace digitálního váhového rozhraní (jen bezpečné prostředí)	40
5.5	Možnost připojení váhového terminálu	40
5.6	Specifikace pro Kategorii 2 / Kategorii 3	40

1 Bezpečnostní pokyny

1.1 Použití v souladu s určením



Nízkoprofilové váhové plošiny série PUA jsou součástí modulárního vážicího systému skládajícího se z METTLER TOLEDO váhového terminálu jako indikátoru a nejméně jedné váhové plošiny.

- Váhovou plošinu používejte výhradně k vážení v souladu s touto příručkou uživatele.
- Váhová plošina je určena výhradně pro použití v interiéru.
- Všechny ostatní způsoby použití jsou považovány za použití v rozporu s určením.
- Pro jízdu přes nízkoprofilovou váhovou plošinu používejte pouze paletové vozíky. Hranice hmotnosti najdete na straně 40.

Právní metrologie

- Pro použití v právní metrologii používejte jen schválené váhové platformy.
- Při použití v právní metrologii je provádějící firma odpovědná za dodržování všech národních předpisů vztahujících se na vážení a měření.
- S dotazy souvisejícími s použitím v obchodních aplikacích s povinným ověřením se laskavě obraťte na servisní organizaci firmy METTLER TOLEDO.

1.2 Použití v rozporu s určením

- ▲ Nepoužívejte váhovou plošinu pro jiné operace než pro operace vážení.
- ▲ Nepoužívejte váhovou plošinu v jiném prostředí nebo kategorii než je specifikováno v tabulce v části 2.1.
- ▲ Neprovádějte úpravy váhové plošiny.
- ▲ Nepoužívejte váhovou plošinu nad hranicemi jejích technických specifikací.
- ▲ Nepoužívejte váhovou plošinu ke skladování zboží.
- ▲ Vyvarujte se pádu zboží na váhovou plošinu.

1.3 Všeobecná bezpečnostní opatření

- ▲ U tohoto výrobku používejte jen originální příslušenství a sestavy kabelů METTLER TOLEDO. Použití neautorizovaných nebo padělaných příslušenství a sestavy kabelů může vést k vyloučení záruky, nesprávné nebo chybné činnosti nebo k škodám na majetku (včetně jednotky) a k zranění osob.

1.4 Bezpečnostní opatření pro činnost v nebezpečných oblastech



Specifické váhové plošiny řady PUA jsou schváleny podle Kategorie 2 nebo Kategorie 3, viz tabulka v části 2.1.

Provozující společnost je odpovědná za bezpečnou činnost vážicího systému chráněného proti výbušnému prostředí.

- ▲ Přísně dodržujte bezpečnostní předpisy provozující společnosti.
- ▲ Zajistěte shodu se všemi národními a regulačními předpisy pro činnost v nebezpečných oblastech, stejně jako s pokyny a informacemi v příručce uživatele.

1.5 Bezpečnostní opatření pro mobilní váhové plošiny

- ▲ S mobilními váhovými plošinami smí pracovat jen vyškolená osoba.

2 Úvod

2.1 Nízkoprofilové váhové plošiny série PUA

Tato příručka uživatele se zaměřuje na produkty uvedené níže.

Série PUA nabízí sortiment váhových plošin tak, aby vyhovovaly vašim požadavkům.

Každý typ se dodává

- v různých velikostech a únosnostech,
- v ověřené nebo neověřené verzi.

Typ	Materiál	Prostředí	Homologace nevybušného provedení
PUA574	Lakovaný	Suché	–
PUA579	Korozivzdorná ocel	Vlhké	jen analogová verze: Kategorie 3
PUA579mobile			Kategorie 2
PUA579x			
PUA579xmobile			

2.2 O této příručce uživatele

Příručka uživatele obsahuje všechny informace pro **obsahu** váhových plošin série PUA.

- Před použitím si příručku uživatele podrobně přečtěte.
- Příručku uživatele uchovejte pro budoucí použití.
- Příručku uživatele předejte budoucímu vlastníkovu nebo uživateli produktu.



2.3 Další dokumenty

Kromě tištěné příručky uživatele si můžete na www.mt.com stáhnout následující dokumenty:

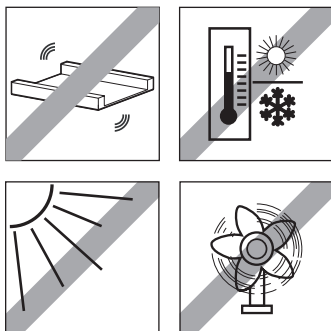
- Brožura
- Seznam technických údajů
- Informace o instalaci (pro vyškolený personál pod kontrolou provozující společnosti)

Typové schvalovací dokumenty pro použití v nebezpečných oblastech

Mechanické hodnocení váhových plošin Kategorie 2 / Kategorie 3	PUA579(x) PUA579(x)mobile	BVS 05 ATEX H/B 116
Kategorie 3 Tenzometrické snímače / rozhraní váhy	Tenzometrický snímač 0745A	KEMA 03ATEX1070
	Použití do června 2019: Systémové řešení Analog Ex2 Systémové komponenty Analog Ex2	BVS 08 ATEX E 063
	Použití od března 2019: AJB579xx-a	BVX 18 ATEX E 008
Kategorie 2 Tenzometrické snímače / rozhraní váhy	Tenzometrický snímač 0745A	KEMA 03ATEX1069
	Použití do června 2019: Systémové řešení Analog Ex1	BVS 04 ATEX E 221
	Použití od března 2019: AJB579x-a	BVX 18 ATEX E 007

3 Obsluha

3.1 Kontrola umístění



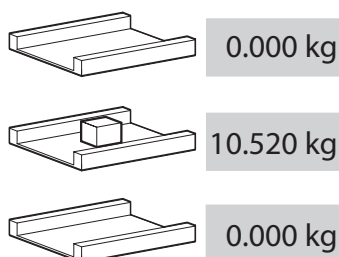
Správné umístění je má zásadní význam pro přesnost výsledků vážení.

1. Zajistěte, aby umístění váhové plošiny bylo na stabilní, vodorovné ploše nevystavené vibracím.
2. Zajistěte následující podmínky prostředí:
 - Bez přímého slunečního záření
 - Bez silného průvanu
 - Bez nadměrných výkyvů teploty

3.2 Kontrola váhové plošiny

Kontrola funkce

Před spuštěním série vážení proveďte kontrolu funkce váhové plošiny a připojeného váhového terminálu.

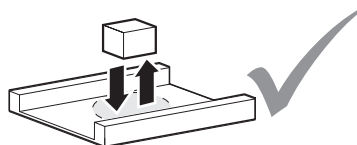


1. Přesvědčte se, že je zdvihací zařízení zavřeno a řádně zajištěno.
2. Přesvědčte se, že je váhová plošina připojena k váhovému terminálu a že je váhový terminál zapnutý.
3. Přesvědčte se, že je váhová plošina nezatížená a na displeji váhového terminálu se zobrazuje hodnota 0.
4. Uložte zátěž na váhovou plošinu.
Na displeji se musí zobrazit hodnota odlišná od 0.
5. Sejměte zátěž z váhové plošiny.
Zobrazení na displeji se musí vrátit na 0.

Schvalovací test

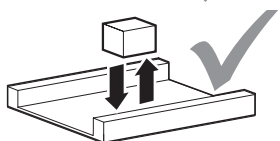
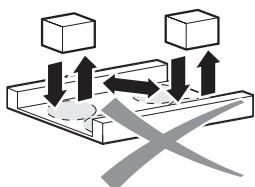
Informace o ověřovacím testu najdete v příručce uživatele pro připojený váhový terminál. Jestliže je ověřovací pečť porušena, není nadále ověření platné.

3.3 Důležité poznámky

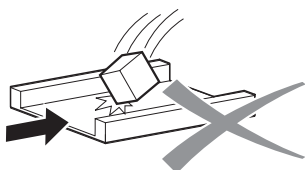
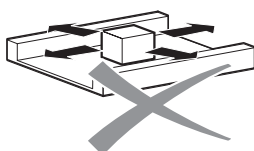


Nejllepších výsledků dosáhnete při dodržování následujících zásad:

▲ K dosažení nejlepších výsledků vážení umísťujte vážený vzorek vždy do středu váhové plošiny.



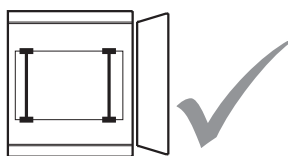
▲ Vyvarujte se abrazivních a opotřebujících procesů.



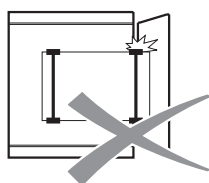
▲ Vyvarujte se spadnutí zátěže, úderů a bočních nárazů.

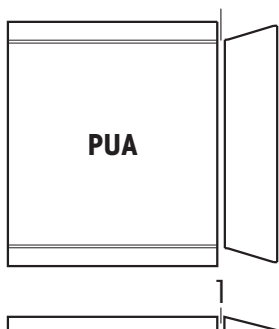
3.4 Činnost s nájezdovými rampami

Úložná deska váhové plošiny je aktivní komponenta vážení. Nájezdové rampy jsou pasivní prvky.



→ Přesvědčte se, že během procesu vážení jsou všechna kola přepravního vozidla na úložné desce.





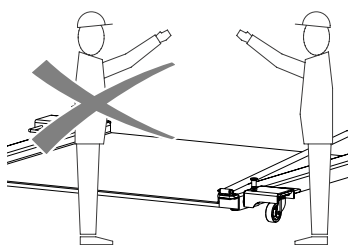
→ Zajistěte, aby mezera (1) mezi váhovou plošinou a rampou byla bez usazených nečistot.

3.5 Pokyny pro PUA579(x) mobile

3.5.1 Bezpečnostní poznámky



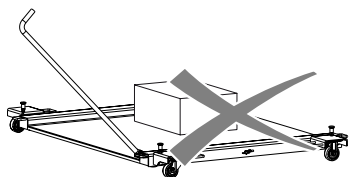
VÝSTRAHA
Nebezpečí rozdrčení.



- ▲ S mobilními váhovými plošinami smí pracovat jen vyškolená osoba.
- ▲ Mobilní váhovou plošinu obsluhujte jen ze strany.
- ▲ S pojzdovými jednotkami manipulujte vždy oběma rukama.



UPOZORNĚNÍ
Nebezpečí a/nebo nesprávná činnost mobilní váhové plošiny.

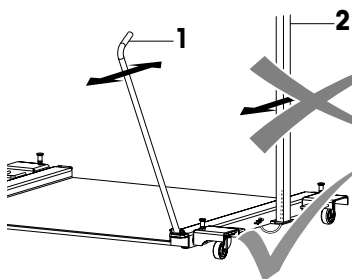


- ▲ Přítomnost vážených vzorků nebo jiných zátěží na mobilní váhové plošině není povolena, když se tato pohybuje.
- ▲ Vážené vzorky pokládejte jen v režimu vážení.



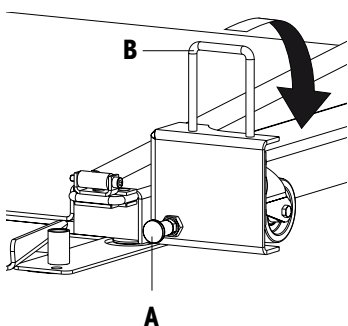
UPOZORNĚNÍ

Nebezpečí a/nebo nesprávná činnost mobilní váhové plošiny.

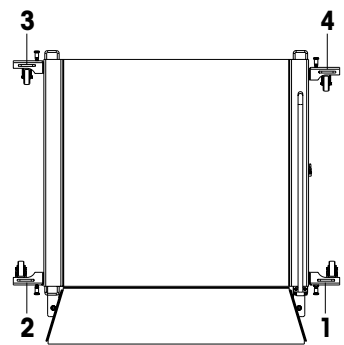


- ▲ Zajistěte, aby se připojovací kabel nedotýkal podlahy.
- ▲ K tlačení nebo tažení v pohybovém režimu používejte výhradně tažnou tyč (1). Za žádných okolností netlačte ani netáhněte na stojinu (2).

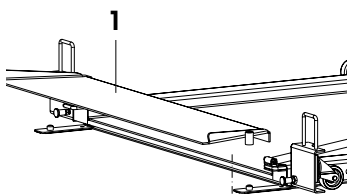
3.5.2 Uvedení do pohybového režimu



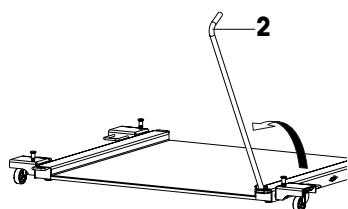
1. Začněte u pojezdové jednotky 1 (pojezdové kolo).
2. Jednou rukou vytáhněte pojistku (A) a držte ji vytaženou.
3. Druhou ruku použijte ke sklonění páky (B) směrem dolů tak daleko, až se západka opět zajistí.
4. U pojezdových jednotek 2 až 4 pokračujte způsobem popsaným v krocích 2 a 3.



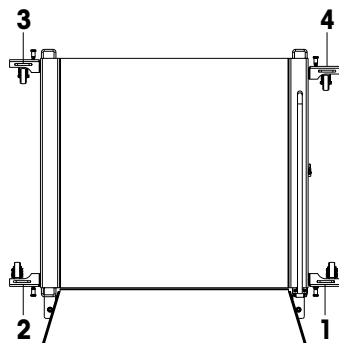
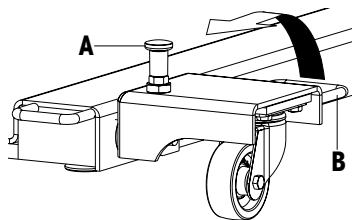
5. Vyvěste nájezdovou rampu (1) a odložte stranou případně vytáhněte upevnění rampy zpod váhové plošiny.



6. Tažnou tyč (2) skloňte dopředu a pohybujte váhou.



3.5.3 Uvedení do režimu vážení



1. Tažnou tyč skloňte dolů na váhovou plošinu.
2. Začněte u pojezdové jednotky 4.
3. Jednou rukou vytáhněte pojistku (A) a držte ji vytaženou.
4. Druhou rukou použijte ke sklonění páky (B) směrem nahoru tak daleko, až se západka opět zajistí.
5. U pojezdových jednotek 3 až 1 pokračujte způsobem popsaným v krocích 2 a 3.
6. Zkontrolujte, zda je váhová plošina správně umístěná.
7. Zkontrolujte vyrovnaní váhové plošiny.

3.6 Instalace, servis a opravy

- Za účelem instalace, konfigurace, servisu a oprav váhových plošin povolejte servis METTLER TOLEDO.

4 Údržba

Údržba váhové plošiny se omezuje na pravidelné čištění a následující olejování u verzí z korozivzdorné oceli.

4.1 Poznámky k čištění

POZOR

Hrozí poškození váhové plošiny v důsledku použití nesprávných čisticích prostředků.

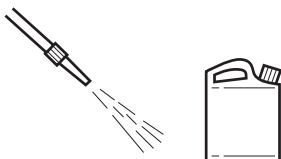
- ▲ Používejte jen čisticí prostředky, které nepůsobí na plasty používané u váhové plošiny.
- ▲ Používejte výhradně dezinfekční a čisticí prostředky, které jsou v souladu s pokyny výrobce.
- ▲ Nepoužívejte vysoce kyselé, vysoce alkalické nebo vysoce chlorované prostředky. Vyvarujte se použití substancí s vysokou nebo nízkou hodnotou pH, protože jinak existuje zvýšené nebezpečí koroze.
- ▲ Buďte opatrní při čištění zespodu (v souvislosti se zdvihacím zařízením).

- V pravidelných intervalech odstraňujte nečistoty a usazeniny nad a pod váhovou plošinou.
- Postup závisí na typu povrchu a na podmínkách prostředí obvyklých v místě instalace.
 - Čištění zespodu provádějte jen v souvislosti se zdvihacím zařízením.



Čištění v suchém prostředí (lakovaná verze)

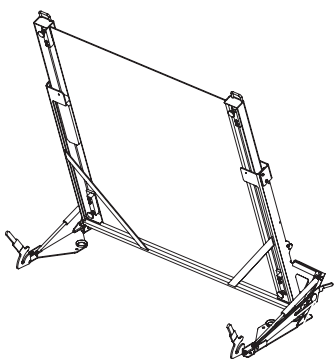
- Očistěte vlhkou utěrkou.
- Použijte čisticí prostředky pro domácnost.



Čištění v korozivním prostředí (verze z korozivzdorné oceli)

- Použijte proud vody do 80 °C a max. 80 barů, minimální vzdálenost 40 cm.
- V pravidelných intervalech odstraňujte produkty koroze.
- Používejte výhradně dezinfekční a čisticí prostředky, které jsou v souladu se specifikacemi a pokyny výrobce.
- Zkontrolujte mezeru mezi váhovou plošinou a nájezdovou rampou/soustavou kol a odstraňte jakékoli znečištění.

4.2 Čištění zespodu (v souvislosti se zdvihacím zařízením)



Ke sklonění nízkoprofilové váhové plošiny je k dispozici zdvihací zařízení firmy METTLER TOLEDO.

Instalace a činnost zdvihacího zařízení viz příslušná dokumentace (ME-22015711 a ME-22016758).

Bezpečnostní opatření pro činnost zdvihacího zařízení

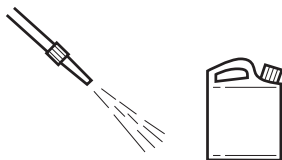
- ▲ Nepoužívejte zdvihací zařízení mimo rozsah teplot -10 °C až $+40\text{ °C}$. V opačném případě není zaručena bezpečnost pneumatických pružin.
- ▲ Se zdvihacím zařízením smí pracovat jen vyškolená osoba.
- ▲ Zdvihací zařízení musí být zkontrolováno z hlediska dodržení shody s požadavky na bezpečnost před jejím prvním uvedením do provozu, po každé servisní činnosti a nejméně každé 3 roky.



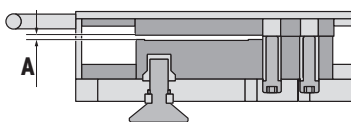
UPOZORNĚNÍ

I drobná poškození, koroze nebo skvrny nátěru na pístu vedou k selhání pneumatických pružin.

- ▲ Pneumatické pružiny chraňte před znečištěním a poškozením.

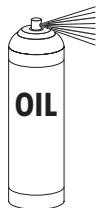


1. Skloňte váhovou plošinu pomocí zdvihacího zařízení.
2. Pravidelně odstraňujte žíraviny, nečistoty a usazeniny z povrchu.
3. Použijte proud vody do 60 °C a max. 2 barů, minimální vzdálenost 40 cm.



4. K odstranění částic nečistot z mezery (A) mezi ochranou proti přetížení tenzometrického snímače a úložným rámem váhové plošiny použijte tlakový vzduch.

4.3 Dodatečné ošetření



Aby byla váhová plošina chráněna, proveďte následující dodatečné ošetření:

- Opláchněte váhovou plošinu čistou vodou a zcela odstraňte čisticí prostředek.
- Osušte váhovou plošinu utěrkou neuvolňující vlákna.
- U váhových plošin z korozivzdorné oceli je ošetřete shora a zdola olejem vhodným pro potravinářství.

4.4 Likvidace



V souladu s požadavky evropské směrnice 2002/96 ES o odpadu pocházejícího z elektrických a elektronických zařízení (WEEE) nesmí být toto zařízení likvidováno spolu s domovním odpadem. Toto platí také pro státy mimo ES v souladu s jejich specifickými požadavky.

- Tento výrobek předejte v souladu s místními regulačními předpisy ve sběrném středisku pro sběr odpadu pocházejícího z elektrických a elektronických zařízení.

Likvidace pneumatických pružin zdvihacího zařízení

- Pneumatické pružiny se nesmí otvírat nebo zahřívat.
- Pneumatické pružiny mohou být otvírány jen v souladu s pokyny výrobce.
- Olejová náplň pneumatických pružin musí být likvidována v souladu s pokyny výrobce.

5 Technické údaje a hranice činnosti

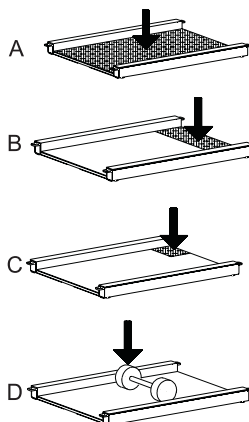
5.1 Maximální interval verifikace váhy

Interval verifikace váhy závisí na konfiguraci tenzometrického snímače a váhy. Maximální interval verifikace váhy je uveden níže.

Max. interval verifikace váhy [e]	Kapacita			
	300 kg	600 kg	1200 kg	1500 kg
3 x 3000 e Multi Range max / e [kg]	–	–	–	300 / 0,1 600 / 0,2 1500 / 0,5
1 x 6000 e Single Range [kg]	0,05	0,1	0,2	–

5.2 Maximální povolená zátěž

Všechny váhové plošiny jsou vybaveny ochranou proti přetížení. Přesto, když zátěž překročí maximální povolenou zátěž, může dojít k poškození mechanických částí.



Statická únosnost zátěže, tj. maximální povolená zátěž, je závislá na typu zatížení (polohy A – D).

Poloha	PUA57..CS PUA57..FL	PUA57..E PUA57..FM	PUA57..FH
A centrální zátěž	800 kg	1850 kg	3000 kg
B boční zátěž	400 kg	900 kg	1800 kg
C jednostranná zátěž v rohu	300 kg	450 kg	900 kg
D zatížení jednotlivého kola min. vzdálenost kol 500 mm	200 kg	400 kg	800 kg

5.3 Okolní prostředí

Váhová plošina a plynové pružiny zdvihací váhových plošin mohou pracovat jen v rozsahu teplot -10 °C až $+40\text{ °C}$.

5.4 Specifikace digitálního váhového rozhraní (jen bezpečné prostředí)

Typ rozhraní	RS422
Protokol rozhraní	SICSpro
Max. délka kabelu	20 m

5.5 Možnost připojení váhového terminálu

Váhové rozhraní	Váhový terminál
SICSpro	Pomocí rozhraní SICSpro RS422 může být připojen kterýkoli váhový terminál METTLER TOLEDO.
Adaptér ACC409xx SICSpro-IDNet (volitelně)	Připojeny mohou být pouze váhové terminály METTLER TOLEDO kompatibilní s protokolem IDNet: IND570, IND690, IND780, IND890, ID7, ICS__9, ICS__5.

5.6 Specifikace pro Kategorii 2 / Kategorii 3

Specifikace pro Kategorii 2 / Kategorii 3 najdete v příslušných schvalovacích dokumentech, viz tabulka v části 2.3.

Magyar (Fordítás)

METTLER TOLEDO Service

Gratulálunk, hogy a METTLER TOLEDO névvel fémjelzett minőséget és pontosságot választotta. Az új berendezés megfelelő, a felhasználói kézikönyv szerinti használata, valamint a gyártó általi képzésben részesült szerviz csapatunk által végzett rendszeres kalibrálás és karbantartás megbízható és pontos működést biztosít, megóvva ezzel az Ön beruházását. Személyre és költségvetésre szabott szervizelési megállapodáshoz vegye fel velünk a kapcsolatot. További információt itt talál:

www.mt.com/service.

Beruházásának értékét számos módon maximalizálhatja:

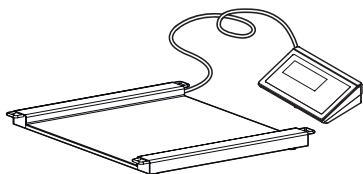
1. **Termékrejestráció:** Kérjük, regisztrálja termékét itt:
www.mt.com/productregistration
hogy tájékoztathassuk az Ön termékére vonatkozó fejlesztésekről, frissítésekről és fontos információkról.
2. **Szervizeléshez keresse a METTLER TOLEDO-t:** Egy mérés értéke egyenes arányban áll annak pontosságával: a specifikációtól eltérő mérleg a minőség és a nyereség rovására mehet, valamint a felelősséget is növeli. A METTLER TOLEDO által időben elvégzett szervizeléssel biztosítható a pontosság és optimalizálható a berendezés üzemideje és élettartama.
 - **Telepítés, konfigurálás, integrálás és képzés:**
Szervizképviselőink üzemi képzettséggel rendelkező mérlegszakértők. Biztos lehet benne, mérőberendezései a sikerre képzett személyzet segítségével mindenkor költséghatékony módon állnak majd az Ön rendelkezésére.
 - **Eredeti kalibrálási dokumentáció:**
A telepítési környezet és a felhasználási követelmények minden ipari mérleg esetében mások, ezért a működést ellenőrizni és tanúsítani kell. Kalibrálási szervizeink és tanúsítványaink a pontosság dokumentálásával biztosítják a termékminőséget és a kiváló minőségű működés-nyilvántartó rendszert.
 - **Időszakos kalibrálás karbantartása:**
Kalibrálási megállapodás biztosítja a mérési folyamatok és a követelményeknek való megfelelés dokumentálásának folyamatos megbízhatóságát. Többféle szervizcsomagunk közül biztosan megtalálja az igényeinek és költségvetésének megfelelő csomagot.

PUA-sorozatú mérőplatformok

1	Biztonsági utasítások.....	43
1.1	Rendeltetésszerű használat.....	43
1.2	Nem rendeltetésszerű használat.....	43
1.3	Általános biztonsági intézkedések.....	43
1.4	Biztonsági óvintézkedések veszélyes környezetben történő működéshez.....	43
1.5	Mobil mérőplatformokra vonatkozó biztonsági óvintézkedések.....	44
2	Bevezetés	44
2.1	PUA-sorozatú alacsony profilú mérőplatformok.....	44
2.2	A felhasználói kézikönyvről.....	44
2.3	További dokumentumok.....	44
3	Működés	45
3.1	A helyszín ellenőrzése.....	45
3.2	A mérőplatform ellenőrzése.....	45
3.3	Fontos megjegyzések.....	46
3.4	Működtetés felhajtórampákkal.....	46
3.5	PUA579(x) mobile-ra vonatkozó utasítások.....	47
3.6	Telepítés, szervizelés és javítás.....	49
4	Karbantartás	49
4.1	Tisztítással kapcsolatos megjegyzések.....	49
4.2	Alulról végzett tisztítás (emelőberendezéssel együtt).....	50
4.3	Kiegészítő gondozás.....	51
4.4	Ártalmatlanítás.....	51
5	Műszaki adatok és működési határértékek.....	51
5.1	Maximális hitelesítési osztásértékek.....	51
5.2	Legnagyobb megengedett terhelés.....	52
5.3	Környezeti feltételek.....	52
5.4	A digitális mérési interfész adatai (kizárólag biztonságos környezetben).....	52
5.5	Csatlakozás a mérőterminálra.....	52
5.6	2. / 3. kategóriára vonatkozó előírások.....	52

1 Biztonsági utasítások

1.1 Rendeltetésszerű használat



A PUA-sorozatú alacsony profilú mérőplatformok egy kijelzőként működő METTLER TOLEDO mérőterminálból és legalább egy mérőplatformból álló moduláris mérési rendszer részei.

- A mérőplatformot csak a felhasználói kézikönyvvel összhangban álló méréshez szabad használni.
- A mérőplatformot beltéri használatra tervezték.
- Bármilyen más használat nem rendeltetésszerű használatnak minősül.
- Az alacsony profilú mérőplatformra kizárólag békával hajtson fel. A tömeghatárokat lásd a 52. oldalon.

Törvényes metrológia

- Törvényes metrológiai alkalmazáshoz kizárólag jóváhagyott mérőplatformok használhatók.
- Törvényes metrológia keretében történő alkalmazáskor az üzemeltető felel a súlyokra és mérésekre vonatkozó nemzeti előírások betartásáért.
- A kereskedelemben történő használatnál kapcsolatos kérdéseivel kérjük, forduljon a METTLER TOLEDO szervizhálózatához.

1.2 Nem rendeltetésszerű használat

- ▲ A mérőplatformot mérésen kívül másra ne használja.
- ▲ A mérőplatformot ne használja a 2.1. fejezetben szereplő táblázatban meghatározottaktól eltérő környezetben vagy kategóriában.
- ▲ A mérőplatformon ne hajtson végre módosításokat.
- ▲ A mérőplatformot ne használja a műszaki leírásban megadott határértékeken túl.
- ▲ Ne használja a mérőplatformot tárolásra.
- ▲ Kerülje az áruknak a mérőplatformra való ráesését.

1.3 Általános biztonsági intézkedések

- ▲ Csak eredeti METTLER TOLEDO tartozékokat és kábelszerelvényeket használjon ehhez a termékhez. Engedély nélküli vagy hamisított tartozékok ill. kábelszerelvények használata a garancia megszűnését, helytelen vagy hibás működést, vagy anyagi kárt (beleértve az egységet is) és személyi sérülést eredményezhet.

1.4 Biztonsági óvintézkedések veszélyes környezetben történő működéshez



A PUA sorozat specifikus mérőplatformjai a 2. vagy 3. kategóriának megfelelő jóváhagyással rendelkeznek a 2.1. fejezetben található táblázatban.

A működtető cég felelős a robbanásbiztos mérési rendszer biztonságos üzemeltetéséért.

- ▲ A működtető cég biztonsági utasításait szigorúan be kell tartani.
- ▲ A veszélyes területen történő üzemeltetésre vonatkozó törvényi előírásokat, valamint a felhasználói kézikönyv utasításait és információit be kell tartani.

1.5 Mobil mérőplatformokra vonatkozó biztonsági óvintézkedések

- ▲ A mobil mérőplatformokat kizárólag képzett személyzet működtetheti.

2 Bevezetés

2.1 PUA-sorozatú alacsony profilú mérőplatformok

A felhasználói kézikönyv az alábbiakban felsorolt termékeket öleli fel.
A PUA-sorozat számos, az Ön igényeinek megfelelő mérőplatformot kínál.
Valamennyi típus

- különböző méretekben és teherbírásban áll rendelkezésre,
- jóváhagyott és jóváhagyás nélküli változatban egyaránt.

Típus	Anyag	Környezet	Ex jóváhagyás
PUA574	Festett	Száraz	–
PUA579	Rozsdamentes acél	Nedves	kizárólag analóg verziók: 3. kategória
PUA579mobile			2. kategória
PUA579x			
PUA579xmobile			

2.2 A felhasználói kézikönyvről



A felhasználói kézikönyv a PUA-sorozat mérőplatformjainak **kezelője** számára szükséges valamennyi információt tartalmazza.

- Használat előtt figyelmesen olvassa el a felhasználói kézikönyvet.
- Jövőbeli felhasználás céljából őrizze meg a felhasználói kézikönyvet.
- Adja tovább a felhasználói kézikönyvet a termék jövőbeli tulajdonosának vagy használójának.

2.3 További dokumentumok

A felhasználói kézikönyv mellett az alábbi dokumentumok tölthetők le a www.mt.com oldalról:

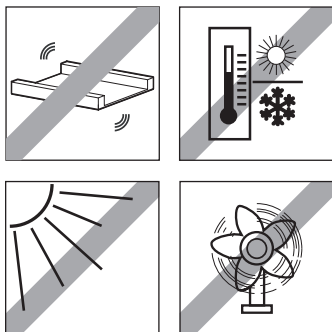
- Prospektus
- Műszaki adatlap
- Telepítési információk (szakképzett személyzet számára a felhasználó cég irányítása mellett)

Veszélyes környezetben való üzemeltetés típus-jóváhagyási dokumentumai

2. / 3. kategóriájú mérőplatformok mechanikai értékelése	PUA579(x) PUA579(x)mobile	BVS 05 ATEX H/B 116
3. kategória Erőmérő cellák / mérleginterfészek	0745A erőmérő cella	KEMA 03ATEX1070
	Használva 2019 júniusáig: Analog Ex2 rendszer megoldás Analog Ex2 rendszerkomponens	BVS 08 ATEX E 063
	Használva 2019 márciusától: AJB579xx-a	BVS 18 ATEX E 008
2. kategória Erőmérő cellák / mérleginterfészek	0745A erőmérő cella	KEMA 03ATEX1069
	Használva 2019 júniusáig: Analog Ex1 rendszer megoldás	BVS 04 ATEX E 221
	Használva 2019 márciusától: AJB579x-a	BVS 18 ATEX E 007

3 Működés

3.1 A helyszín ellenőrzése



A mérési eredmények pontossága szempontjából döntő jelentősége van a helyes elhelyezésnek.

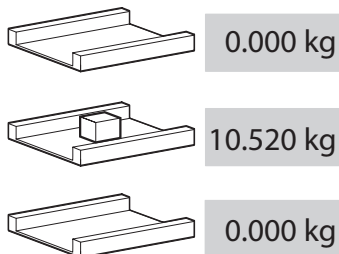
1. Győződjön meg arról, hogy a mérőplatform helye szilárd, rezgésmentes és vízszintes.
2. Tartsa be a következő környezeti feltételeket:
 - Nem éri közvetlen napfény
 - Nincs erős huzat
 - Nem tapasztalhatók túlzott hőingadozások

3.2 A mérőplatform ellenőrzése

Funkcionális ellenőrzés

Mérlegelési sorozat megkezdése előtt végezze el a mérőplatform és a csatlakoztatott mérőterminál funkcionális ellenőrzését.

1. Győződjön meg arról, hogy az emelőberendezés megfelelően lezárt és bezárt állapotban van.
2. Győződjön meg arról, hogy a mérőplatform csatlakoztatva van a mérőterminálhoz és a mérőterminál legyen bekapcsolt állapotban.
3. Győződjön meg róla, hogy a mérőplatformon nincs súly, és a mérőterminál kijelzője 0-t mutat.
4. A mérőplatform terhelése.
A kijelzőnek 0-tól eltérő értéket kell mutatnia.
5. A mérőplatform terhelésének megszüntetése.
A kijelzőnek vissza kell térnie 0 állásba.

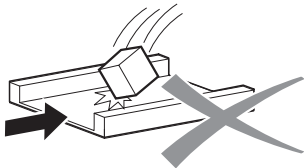
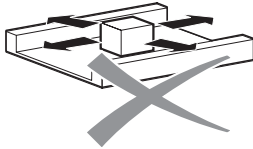
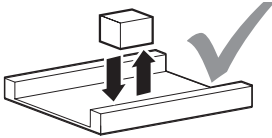
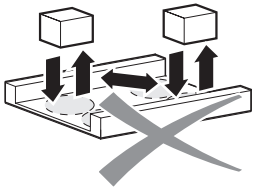
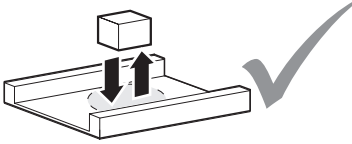


Ellenőrző teszt

Az ellenőrző tesztet lásd a csatlakoztatott mérőterminál felhasználói kézikönyvében.
Törött hitelesítési plomba esetén a hitelesítés többé nem érvényes.

3.3 Fontos megjegyzések

A legjobb mérési eredmények érdekében tartsa be az alábbiakat:



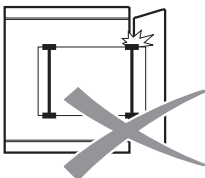
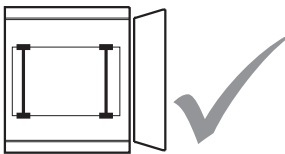
▲ A lehető legjobb mérési eredmények elérése érdekében a mért mintát mindig a mérőplatform közepére helyezze.

▲ Kerülje a kopást és elhasználódást okozó tevékenységeket.

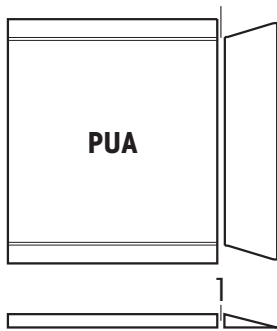
▲ Kerülje a terhek esését, az ütdéseket és az oldalirányú erőhatásokat.

3.4 Működtetés felhajtórámpákkal

A mérőplatform mérőtálcája aktív szerepet játszik a mérésben. A felhajtórámpák nem vesznek részt magában a mérésben.



→ Győződjön meg arról, hogy mérés közben a szállítóeszköz minden kereke a mérőtálcán áll.



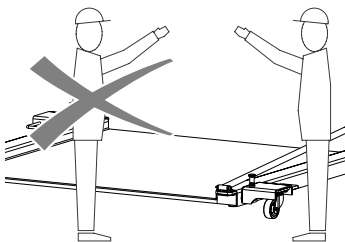
→ Győződjön meg arról, hogy a mérőplatform és a rámpa közötti résben (1) nem található lerakódott szennyeződés.

3.5 PUA579(x) mobile-ra vonatkozó utasítások

3.5.1 Biztonsági tudnivalók



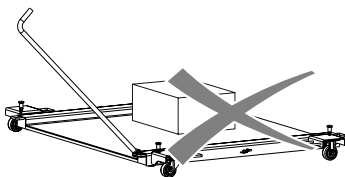
FIGYELEM
Zúzóásveszély.



- ▲ A mobil mérőplatformokat kizárólag képzett személyzet működtetheti.
- ▲ A mobil mérőplatform kizárólag oldalról működtethető.
- ▲ A görgősorok működtetését kizárólag két kézzel végezze.



VIGYÁZAT
A mobil mérőplatform sérülése és/vagy meghibásodása.

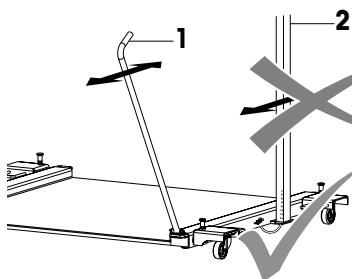


- ▲ A mobil mérőplatformon tilos annak mozgatása közben mért mintának vagy egyéb tehernek lennie.
- ▲ A mért mintát kizárólag mérési üzemmódban helyezze fel.



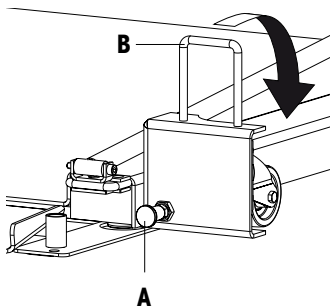
VIGYÁZAT

A mobil mérőplatform sérülése és/vagy meghibásodása.

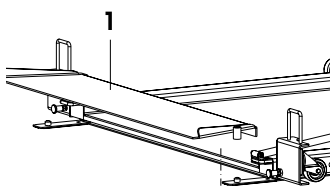
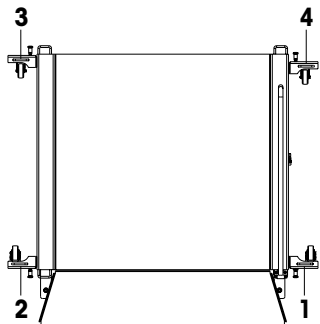


- ▲ Győződjön meg arról, hogy a csatlakozókábel nem ér le a földre.
- ▲ Mozgó üzemmódban az egység előretolását vagy vontatását vonórúddal (1) végezze. Az állványzaton (2) semmilyen körülmények között ne tolja vagy húzza.

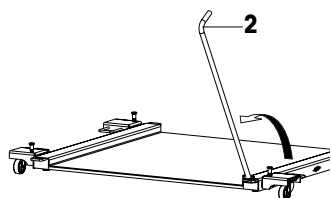
3.5.2 Mozgó üzemmód beállítása



1. A műveletet kezdje az 1. görgősornál (mozgó görgő).
2. Egyik kezével csavarozza ki a rögzítőreteszt (A) és tartsa kihúzva.
3. Másik kezével hajtja le a fogantyút (B) addig, amíg a retesz ismét be nem záródik.
4. A műveletet a 2. és 3. lépésekben leírtak szerint hajtja végre a 2–4. görgősorokon is.

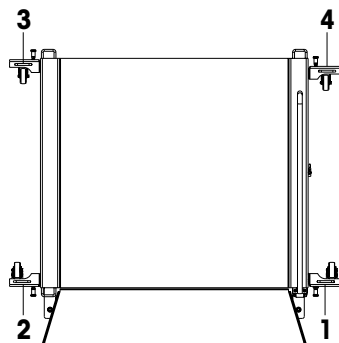
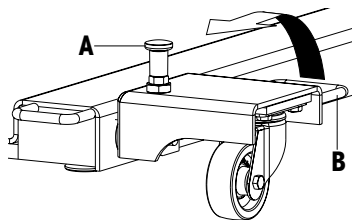


5. Akassza ki a felhajtórámpát (1), és tegye félre vagy húzza ki a mérőplatform alatti Rampfix rámparögzítőt.



6. A vonórúdat (2) döntse előre és mozgítsa meg a mérleget.

3.5.3 Mérő üzemmód beállítása



1. A vonórudat döntse rá a mérőplatformra.
2. A műveletet kezdje a 4. görgősornál.
3. Egyik kezével csavarozza ki a rögzítőreteszt (A) és tartsa kihúzva.
4. Másik kezével hajtsa fel a fogantyút (B) addig, amíg a retesz ismét be nem záródik.
5. A műveletet a 2. és 3. lépésekben leírtak szerint hajtsa végre az 3–1. görgősorokon is.
6. Ellenőrizze, hogy a mérőplatform pozíciója megfelelő-e.
7. Ellenőrizze, hogy a mérőplatform szintben van-e.

3.6 Telepítés, szervizelés és javítás

- A mérőplatformok telepítésével, konfigurálásával, szervizelésével és javításával kapcsolatban hívja a METTLER TOLEDO szervizt.

4 Karbantartás

A mérőplatform karbantartása rendszeres tisztításra és a rozsdamentes acélból készült változatok ezt követő olajozására korlátozódik.

4.1 Tisztítással kapcsolatos megjegyzések

FIGYELEM

A mérőplatform károsodása tisztítószeres helytelen használata miatt.

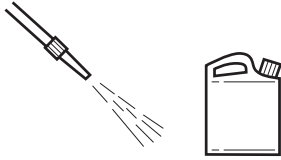
- ▲ Csak olyan tisztítószereket szabad használni, amelyek nem lépnek reakcióba a mérőplatformban használt műanyagokkal.
- ▲ Csak a gyártó utasításainak megfelelő tisztító- és fertőtlenítőszereket használjon.
- ▲ Ne használjon erősen savas, lúgos vagy klórozott szereket. Kerülje a magas vagy alacsony pH-értékű anyagokat, különben fennáll a korrózió veszélye.
- ▲ Alulról (emelőberendezés segítségével) végzett tisztításkor fokozott óvatossággal járjon el.

- A mérőplatform felett és alatt rendszeresen távolítsa el a szennyeződéseket és a visszamaradt anyagokat.
- Az eljárás a felület típusától és a telepítés helyén uralkodó környezeti feltételektől egyaránt függ.
 - Alulról végzett tisztítás kizárólag emelőberendezéssel végezhető.



Tisztítás száraz környezetben (festett változat)

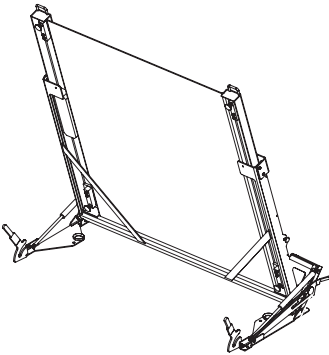
- Nedves kendővel törölje le.
- Háztartási tisztítószereket használjon.



Tisztítás korrozív környezetben (rozsdamentes acél változat)

- Legfeljebb 80 °C-os hőmérsékletű, 80 bar nyomású vízugarat használjon, és tartson legalább 40 cm távolságot.
- A maró anyagokat rendszeresen el kell távolítani.
- Csak a gyártó előírásainak és utasításainak megfelelő tisztító- és fertőtlenítőszerket használjon.
- Ellenőrizze a mérőplatform és a felhajtórámpa/kerékszett közötti hézagot, és távolítson el onnan minden piszkot.

4.2 Alulról végzett tisztítás (emelőberendezéssel együtt)



Az alacsony profilú mérőplatform megdöntéséhez a METTLER TOLEDO-nál külön emelőberendezés áll rendelkezésre.

Az emelőberendezés telepítéséhez és működtetéséhez lásd a megfelelő dokumentációt (ME-22015711 és ME-22016758).

Az emelőberendezés működtetésével kapcsolatos biztonsági óvintézkedések

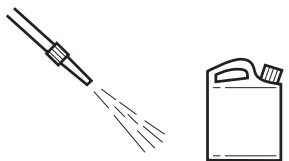
- ▲ Az emelőberendezést ne működtesse a -10 °C és +40 °C közti hőmérséklet-tartományon kívül, különben semmi sem garantálja a pneumatikus rugók biztonságát.
- ▲ Az emelőberendezést kizárólag képzett személyzet működtetheti.
- ▲ A biztonsági előírások érvényesülése érdekében az emelőberendezést az első használatbavétel előtt és minden szervizelést követően, valamint legalább 3 évente ellenőrizni kell.



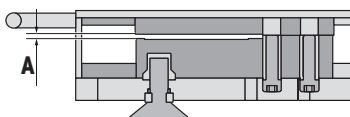
VIGYÁZAT

A pneumatikus rugók akár a dugattyúrudat érő kisebb sérülések, korrózió vagy festéknymok következtében is meghibásodhatnak.

- ▲ A pneumatikus rugókat sérüléstől és szennyeződéstől óvni kell.

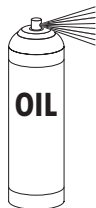


1. Az emelőberendezéssel döntse meg a mérőplatformot.
2. A felületről rendszeresen távolítsa el a korrodáló anyagokat, koszt és visszamaradt anyagokat.
3. Legfeljebb 60 °C hőmérsékletű, 2 bar nyomású vízugarat használjon, és tartson legalább 40 cm távolságot.



4. A terhelési érzékelő túlterhelés elleni védelme, valamint a mérőplatform teherhordó kerete közötti résből (A) sűrített levegő segítségével távolítsa el a koszdarabkákat.

4.3 Kiegészítő gondozás



A mérőplatform megóvása érdekében végezze el az alábbi kiegészítő gondozást:

- Tiszta vízzel öblítse le a mérőplatformot és maradéktalanul távolítsa el a tisztítószeret.
- Szálmentes kendővel törölje szárazra a mérőplatformot.
- A rozsdamentes acél kivitelű mérőplatform felső és alsó részeit élelmiszerekhez is alkalmas olajjal kezelje.

4.4 Ártalmatlanítás



Az elektromos és elektronikus berendezések hulladékaira vonatkozó 2002/96/EK irányelv (WEEE) értelmében a készülék nem dobható ki a hagyományos lakossági hulladék közé. Ez az EU-n kívüli országokra is vonatkozik saját előírásainak megfelelően.

- Kérjük, a terméket a vonatkozó helyi szabályozások szerint az elektromos és elektronikus berendezések hulladékainak gyűjtésére kijelölt helyen ártalmatlanítsa.

Az emelőberendezés pneumatikus rugóinak ártalmatlanítása

- A pneumatikus rugókat kinyitni vagy hevíteni tilos.
- A pneumatikus rugók kizárólag a gyártó utasításai szerint nyithatók ki.
- A pneumatikus rugókba betöltött olaj ártalmatlanításáról a gyártó utasításai szerint kell gondoskodni.

5 Műszaki adatok és működési határértékek

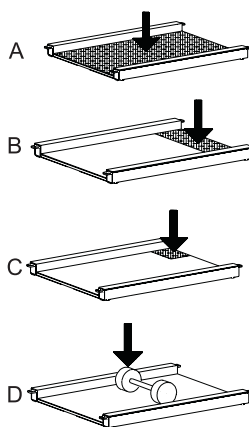
5.1 Maximális hitelesítési osztásértékek

A hitelesítési osztásértékek az erőmérő cellától és a léptékbeállítástól függ. A maximális hitelesítési osztásérték a következő.

Maximális hitelesítési osztásértékek [e]	Teherbírás			
	300 kg	600 kg	1200 kg	1500 kg
3 x 3000 e Multi Range max / e [kg]	–	–	–	300 / 0,1 600 / 0,2 1500 / 0,5
1 x 6000 e Single Range [kg]	0,05	0,1	0,2	–

5.2 Legnagyobb megengedett terhelés

Valamennyi mérőplatform rendelkezik túlterhelés elleni védelemmel. Ha azonban a terhelés meghaladja a legnagyobb megengedett terhelést, a mechanikai alkatrészek megsérülhetnek.



A statikus teherbíró képesség, azaz a megengedett legnagyobb terhelés a terhelés típusától függ (A – D pozíciók).

Pozíció	PUA57..CS PUA57..FL	PUA57..E PUA57..FM	PUA57..FH
A középső terhelés	800 kg	1850 kg	3000 kg
B oldalsó terhelés	400 kg	900 kg	1800 kg
C egyoldalú sarokterhelés	300 kg	450 kg	900 kg
D kerékterhelés min. keréktávolság 500 mm	200 kg	400 kg	800 kg

5.3 Környezeti feltételek

A raklapméretek, valamint az emelhető mérőtálca gáznyomásos rugói -10 °C és $+40\text{ °C}$ közötti tartományban működtethetők.

5.4 A digitális mérési interfész adatai (kizárólag biztonságos környezetben)

Interfész típusa	RS422
Interfész protokoll	SICSpro
Max. vezetékhoossz:	20 m

5.5 Csatlakozás a mérőterminálra

Mérési interfész	Mérőterminál
SICSpro	Valamennyi METTLER TOLEDO mérőterminál SICSpro RS422 interfészen keresztül csatlakoztatható.
ACC409xx SICSpro-IDNet adapter (opcionális)	Kizárólag a következő, METTLER TOLEDO előtti IDNet mérőterminálok csatlakoztathatók: IND570, IND690, IND780, IND890, ID7, ICS__9, ICS__5.

5.6 2. / 3. kategóriára vonatkozó előírások

A 2. / 3. kategóriára vonatkozó előírásokat a megfelelő típus-jóváhagyási dokumentumokban találja, ehhez lásd a 2.3. fejezet táblázatát.

Türkçe (Çeviri)

METTLER TOLEDO Service

METTLER TOLEDO'nun kalitesi ve hassasiyetini seçtiğiniz için sizi tebrik ederiz. Yeni ekipmanınızın bu kullanım kılavuzuna uygun olarak doğru bir şekilde kullanılması ve kalibrasyon ve bakım işlerinin fabrikada eğitilmiş servis ekibimiz tarafından düzenli bir şekilde yapılması ekipmanınızın güvenilir ve doğru bir şekilde çalışmasını sağlayarak yatırımınızı korur. İhtiyaçlarınıza ve bütçenize uygun bir servis anlaşması için bizimle irtibata geçin. Daha fazla bilgi şuradan bulunabilir www.mt.com/service.

Yatırımınızın performansını maksimize etmek için yapmanız gereken birkaç önemli şey bulunmaktadır:

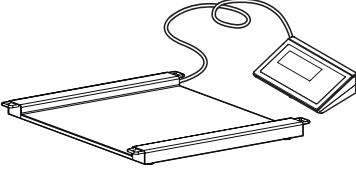
- Ürününüzü kaydedin:** Şu adrese giderek ürününüzü kaydedebilirsiniz www.mt.com/productregistration böylece ürününüzle ilgili geliştirmeler, güncellemeler ve önemli bildirimlerle ilgili olarak sizinle iletişime geçebiliriz.
- Servis için METTLER TOLEDO ile irtibata geçin:** Bir ölçümün değeri, doğruluğuna bağlıdır – ayarları bozulmuş bir tartı kaliteyi azaltabilir, karları düşürebilir ve yükümlülükleri artırabilir. Servis işlerinin METTLER TOLEDO tarafından zamanlı bir şekilde yapılması doğru sonuçlar alınmasını sağlar, arızasız çalışma süresini ve ekipmanınızın ömrünü artırır.
 - Kurulum, Kalibrasyon, Entegrasyon ve Eğitim:** Servis temsilcilerimiz fabrikamızda eğitilmiş tartım ekipmanı uzmanlarıdır. Tartım ekipmanınızın uygun maliyetli ve zamanlı bir şekilde üretime hazır hale getirildiğinden ve personelin bunda başarılı olmak için eğitim aldığından emin oluruz.
 - İlk Kalibrasyon Dokümantasyonu:** Kurulum ortamı ve uygulama gereksinimleri her endüstriyel ölçek için farklıdır, bu yüzden performansın test edilmesi ve onaylanması gerekmektedir. Kalibrasyon hizmetlerimiz ve sertifikalarımız, üretimde kaliteyi temin etmek ve kaliteli bir performans kaydı sistemi sağlamak için doğruluğu belgelerir.
 - Periyodik kalibrasyon bakımı:** Kalibrasyon Servis Anlaşması, tartım sürecinize olan güveninizin devamlılığını ve gerekliliklere uyulduğunun belgelenmesini sağlar. İhtiyaçlarınıza uyacak şekilde planlanmış ve bütçenize göre tasarlanmış çeşitli servis planları sunmaktayız.

PUA serisi tartım platformları

1	Güvenlik talimatları	55
1.1	Amaçlanılan kullanım	55
1.2	Hatalı kullanım	55
1.3	Genel güvenlik önlemleri	55
1.4	Tehlikeli alanlarda kullanımla ilgili emniyet tedbirleri	55
1.5	Mobil tartım platformları için güvenlik önlemleri	56
2	Tanıtım	56
2.1	PUA serisi alçak profilli tartım platformları	56
2.2	Bu kullanım kılavuzu hakkında	56
2.3	Diğer belgeler	56
3	Kullanım	57
3.1	Konumun kontrol edilmesi	57
3.2	Tartım platformunun kontrol edilmesi	57
3.3	Önemli notlar	58
3.4	Erişim rampalarıyla kullanım	58
3.5	PUA579(x) mobile için talimatlar	59
3.6	Kurulum, servis ve onarım	61
4	Bakım	61
4.1	Temizlikle ilgili notlar	61
4.2	Altın temizlik (bir kaldırma aleti kullanarak)	62
4.3	Daha sonra yapılması gereken işlemler	63
4.4	Cihazın atılması	63
5	Teknik veriler ve çalışma sınırları	63
5.1	Azami doğrulama ölçek aralığı	63
5.2	Azami izin verilen yük	64
5.3	Ortam koşulları	64
5.4	Dijital tartım arayüzü teknik özellikleri (yalnızca güvenli alan)	64
5.5	Tartım terminallerine bağlantı	64
5.6	Kategori 2 / Kategori 3 için teknik özellikler	64

1 Güvenlik talimatları

1.1 Amaçlanılan kullanım



PUA serisi alçak profilli tartım platformları, gösterge olarak bir METTLER TOLEDO tartım terminali ve en az bir tartım platformundan oluşan modüler bir tartım sisteminin parçasıdır.

- Tartım platformunu yalnızca bu kullanım kılavuzu doğrultusunda tartım yapmak için kullanın.
- Tartım platformu yalnızca kapalı mekanlarda kullanım içindir.
- Diğer her tür kullanım, amaçlanmayan kullanım olarak sayılmaktadır.
- Alçak profilli tartım platformunun üzerinde sürülebilecek tek araç palet taşıyıcıdır. Ağırlık sınırları için 64. sayfaya bakınız.

Yasal metroloji

- Yasal metrolojide kullanım amacıyla yalnızca onaylı tartım platformları kullanın.
- Yasal metrolojide kullanırken, tüm ulusal ağırlık ve ölçüm gereksinimlerine uyulmasından işletici şirket sorumludur.
- Ticari amaçlı kullanımın yasal yönlerini ilgilendiren sorularınız için lütfen METTLER TOLEDO Servis organizasyonu ile iletişim kurun.

1.2 Hatalı kullanım

- ▲ Tartım platformunu tartım işleri dışındaki işler için kullanmayın.
- ▲ Tartım platformunu bölüm 2.1'deki tabloda belirtilenler dışında ortamlarda ya da kategorilerde kullanmayın.
- ▲ Tartım platformunda değişiklik yapmayın.
- ▲ Tartım platformunu teknik özellik sınırlarını aşacak şekilde kullanmayın.
- ▲ Tartım platformunu mal depolamak için kullanmayın.
- ▲ Malların tartım platformunun üzerine düşmesine izin vermeyin.

1.3 Genel güvenlik önlemleri

- ▲ Bu ürünle birlikte yalnızca gerçek METTLER TOLEDO aksesuarlarını ve kablo takımlarını kullanın. Onaylanmamış veya sahte aksesuar veya kablo takımlarının kullanılması garantiyi geçersiz kılabilir, yanlış ya da hatalı kullanıma veya mala zarar gelmesine (ünitenin kendisi dahil) ve kişisel yaralanmalara yol açabilir.

1.4 Tehlikeli alanlarda kullanımla ilgili emniyet tedbirleri



PUA serilerindeki belirli tartım platformları Kategori 2 veya Kategori 3'e uygun olarak onaylanmıştır, bölüm 2.1'deki tabloya bakınız.

İşletici şirket, patlama korumalı tartım sisteminin güvenli bir şekilde kullanımından sorumludur.

- ▲ İşletici şirketin güvenlik talimatlarına tam olarak uyun.
- ▲ Tehlikeli alanlarda kullanıma dair tüm ulusal düzenlemelerin yanı sıra, bu kullanım kılavuzundaki talimatlar ve bilgilere uyun.

1.5 Mobil tartım platformları için güvenlik önlemleri

▲ Mobil tartım platformlarını yalnızca bu konuda eğitim almış personel kullanabilir.

2 Tanıtım

2.1 PUA serisi alçak profilli tartım platformları

Bu kullanım kılavuzu aşağıda listelenen ürünlere odaklanmaktadır.

PUA serisi gereksinimlerinizi karşılayacak çeşitli tartım platformları içermektedir.

Her bir türün,

- onaylı ya da onaysız versiyonu olmak üzere,
- değişik boyutları ve kapasiteleri mevcuttur.

Tür	Materyal	Çevre	Patlama Geçirmez Alan Onayı
PUA574	Boyalı	Kuru	–
PUA579	Paslanmaz çelik	Islak	yalnızca analog versiyonlar: Kategori 3
PUA579mobile			Kategori 2
PUA579x			
PUA579xmobile			

2.2 Bu kullanım kılavuzu hakkında

Bu kullanım kılavuzu, PUA serisi tartım platformunun **operatörü** için tüm bilgileri içermektedir.



- Kullanmadan önce bu kullanım kılavuzunu dikkatle okuyun.
- Bu kullanım kılavuzunu gelecekte başvurmak üzere saklayın.
- Bu kullanım kılavuzunu ürünün sizden sonraki sahibine ya da kullanıcıya da aktarın.

2.3 Diğer belgeler

Bu basılı kullanım kılavuzuna ek olarak, www.mt.com adresinden aşağıda listelenen belgeleri indirebilirsiniz:

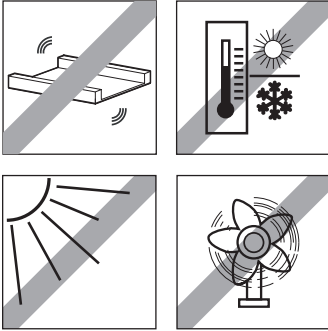
- Broşür
- Teknik veri sayfası
- Kurulum bilgileri (işletici şirketin kontrolündeki eğitimli personel için)

Tehlikeli alanlarda kullanım için tip onayı belgeleri

Kategori 2 / Kategori 3 tartım platformlarının mekanik değerlendirmesi	PUA579(x) PUA579(x)mobile	BVS 05 ATEX H/B 116
Kategori 3 Yük hücreleri / tartı arayüzleri	Yük hücresi 0745A	KEMA 03ATEX1070
	Haziran 2019'a kadar kullanılır: Sistem çözümü Analog Ex2 Sistem komponenti Analog Ex2	BVS 08 ATEX E 063
	Mart 2019'dan itibaren kullanılır: AJB579xx-a	BVS 18 ATEX E 008
Kategori 2 Yük hücreleri / tartı arayüzleri	Yük hücresi 0745A	KEMA 03ATEX1069
	Haziran 2019'a kadar kullanılır: Sistem çözümü Analog Ex1	BVS 04 ATEX E 221
	Mart 2019'dan itibaren kullanılır: AJB579x-a	BVS 18 ATEX E 007

3 Kullanım

3.1 Konumun kontrol edilmesi



Tartım sonuçlarının doğruluğu için doğru konum büyük önem arz etmektedir.

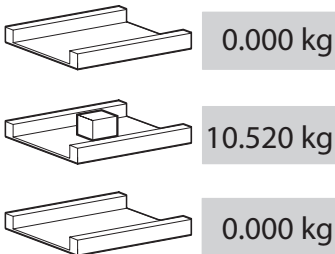
1. Tartım platformunun konumunun dengeli, titreşimsiz ve yatay olmasını sağlayın.
2. Şu çevre koşullarına dikkat edin:
 - Doğrudan güneş ışığı almaması
 - Kuvvetli hava akımı olmaması
 - Aşırı sıcaklık dalgalanmaları olmaması

3.2 Tartım platformunun kontrol edilmesi

Çalışma kontrolü

Bir tartım serisine başlamadan önce, tartım platformunun ve ona bağlı durumdaki tartım terminalinin çalışma kontrolünü yapın.

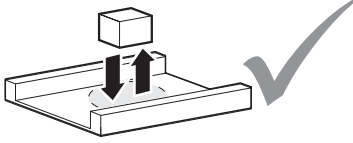
1. Kaldırma aletinin doğru şekilde kapatılmış ve kilitlemiş olduğundan emin olun.
2. Tartım platformunun bir tartım terminaline bağlı olduğundan ve tartım terminalinin açık duruma getirildiğinden emin olun.
3. Tartım platformunda yük olmadığından ve tartım terminalinin ekranının 0 gösterdiğinden emin olun.
4. Tartım platformunu yükleyin.
Ekran 0'dan farklı bir değer göstermelidir.
5. Tartım platformundaki yükü boşaltın.
Ekran 0'a geri dönmelidir.



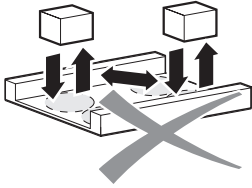
Doğrulama testi

Doğrulama testi için, bağlı durumdaki tartım terminalinin kullanım kılavuzuna başvurun. Doğrulama mührü kırıldığında, doğrulama geçerliliğini kaybeder.

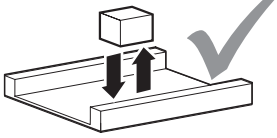
3.3 Önemli notlar



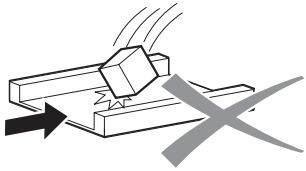
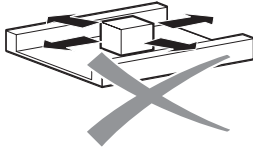
En iyi tartım sonuçlarını elde etmek için aşağıdakilere uyun:



▲ En iyi tartım sonuçlarına ulaşmak için, tartım numunesini daima tartım platformunun ortasına yerleştirin.

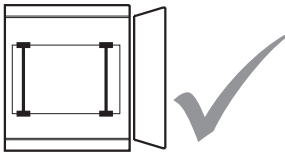


▲ Aşındırıcı ve yıpratıcı işlemlerden kaçının.

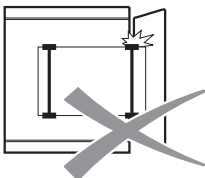


▲ Yüklerin düşmesi, sarsılmalar ve yanıl darbelerden koruyun.

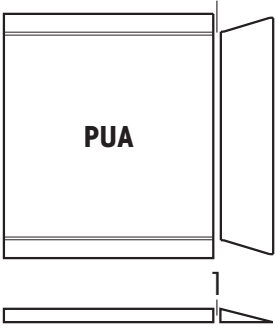
3.4 Erişim rampalarıyla kullanım



Tartım platformunun yük plakası aktif bir tartım parçasıdır. Erişim rampaları pasiftir.



→ Tartım işlemi esnasında nakil vasıtasının bütün tekerleklerinin yük levhasının üzerinde olduğundan emin olun.



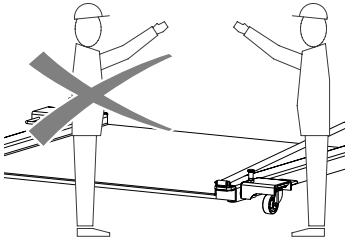
→ Tartım platformu ve rampa arasındaki boşlukta (1) kir birikmediğinden emin olun.

3.5 PUA579(x) mobile için talimatlar

3.5.1 Güvenlik notları



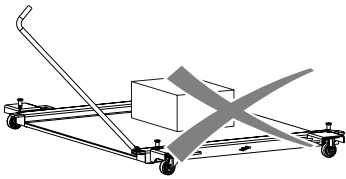
UYARI
Eziyme tehlikesi.



- ▲ Mobil tartım platformlarını yalnızca bu konuda eğitim almış personel kullanabilir.
- ▲ Mobil tartım platformunu yalnızca yan tarafından kullanın.
- ▲ Rulman kutularını yalnızca iki elinizle birden kullanın.



DİKKAT
Mobil tartım platformunun zarar görmesi ve/veya çalışmaması.

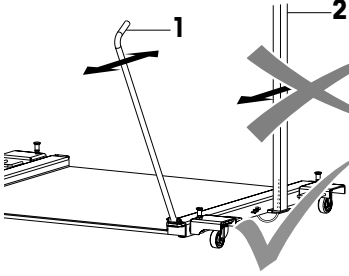


- ▲ Mobil tartım platformu hareket halindeyken üzerinde numunelerin ya da başka yüklerin tartılması yasaktır.
- ▲ Tartım numunelerini yalnızca tartım modundayken koyun.



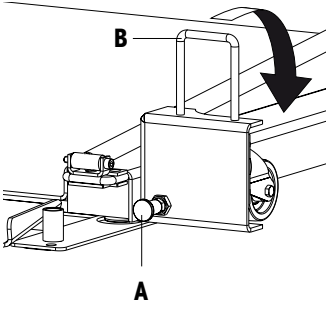
DİKKAT

Mobil tartım platformunun zarar görmesi ve/veya çalışmaması.

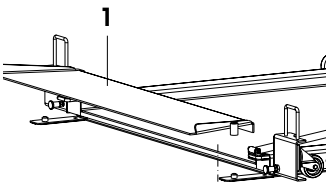
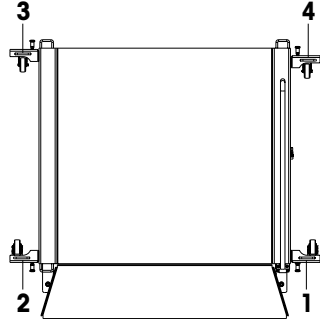


- ▲ Bağlantı kablolarının yere değmemesini sağlayın.
- ▲ Hareket modundayken üniteyi çekmek ya da itmek için yalnızca çekme çubuğunu (1) kullanın. Hiçbir şartta stanttan (2) itmeyin ya da çekmeyin.

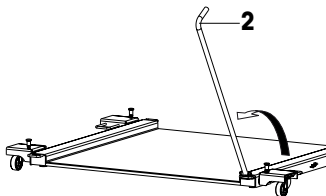
3.5.2 Hareket moduna geçilmesi



1. Rulman kutusu 1'den (hareketli rulman) başlayın.
2. Bir elinizle kilidi (A) açın ve dışarı çekilmiş vaziyette tutun.
3. Diğer elinizle, kilit yeniden yerine oturana kadar kolu (B) aşağı doğru indirin.
4. 2 ve 3'üncü adımlarda açıklandığı gibi 2'den 4'e kadar olan rulman kutularında da aynı işlemleri yapın.

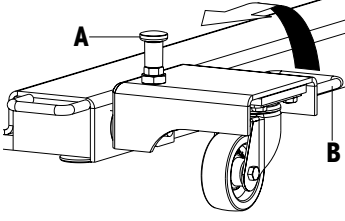


5. Erişim rampasını (1) dışarı sarkıtın ve kenara koyun ya da Rampa Sabitleme parçasını tartım platformunun altından çekip çıkarın.

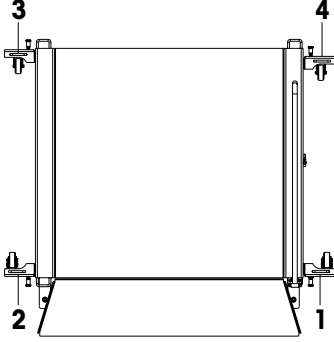


6. Çekme çubuğunu (2) ileri doğru eğin ve tartıyı hareket ettirin

3.5.3 Tartım moduna geçilmesi



1. Çekme çubuğunu tartım platformunun üzerine doğru aşağı yönde eğin.
2. Rulman kutusu 4'den başlayın.
3. Bir elinizle kilidi (A) açın ve dışarı çekilmiş vaziyette tutun.
4. Diğer elinizle, kilit yeniden yerine oturana kadar kolu (B) yukarı doğru kaldırın.
5. 2 ve 3'üncü adımlarda açıklandığı gibi 3'den 1'e kadar olan rulman kutularında da aynı işlemleri yapın.
6. Tartım platformunun doğru pozisyonda olup olmadığını kontrol edin.
7. Tartım platformunun seviyesini kontrol edin.



3.6 Kurulum, servis ve onarım

- Tartım platformlarının kurulum, yapılandırma, servis ve onarımları için METTLER TOLEDO Servisini arayın.

4 Bakım

Tartım platformunun bakımı, düzenli olarak temizlenmesi ve bunun ardından paslanmaz çelik versiyonlarda yağlanmasından ibarettir.

4.1 Temizlikle ilgili notlar

UYARI

Temizlik maddelerinin yanlış kullanılmasından ötürü tartım platformuna zarar verilmesi.

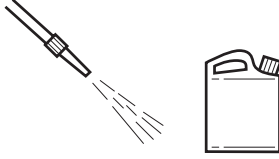
- ▲ Yalnızca tartım platformunda kullanılan plastik malzemeler üzerinde etkisi olmayan temizlik maddeleri kullanın.
- ▲ Dezenfektanlar ve temizlik maddelerini yalnızca üreticilerinin talimatlarına uygun olarak kullanın.
- ▲ Yüksek derecede asitli, yüksek derecede alkali ya da yüksek derecede klorlu temizlik maddeleri kullanmayın. Yüksek ya da düşük pH değerine sahip maddeler kullanmayın, çünkü bunu yapmanız aşınma tehlikesini artırır.
- ▲ Özellikle (bir kaldırma aleti kullanarak) alttan temizlerken dikkatli olun.

- Tartım platformunun üstündeki ve altındaki kir ve artıkları düzenli aralıklarla temizleyin.
 - Bu prosedür yüzey türüne ve kurulumun yapıldığı ortamda hakim olan şartlara göre değişir.
 - Alttan yalnızca bir kaldırma aleti kullanarak temizleyin.



Kuru bir ortamda temizlik (boyalı versiyon)

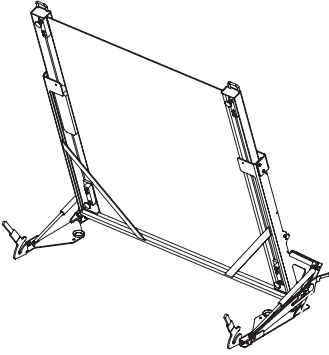
- Nemli bir bezle silin.
- Ev temizlik maddeleri kullanın.



Aşındırıcı bir ortamda temizlik (paslanmaz çelik versiyon)

- 80 °C ve azami 80 bara kadar, minimum 40 cm'den su jeti kullanın.
- Aşındırıcı maddeleri düzenli aralıklarla temizleyin.
- Dezenfektanlar ve temizlik maddelerini yalnızca üreticilerinin şartnameleri ve talimatlarına uygun olarak kullanın.
- Tartım platformu ve erişim rampası/tekerlek seti arasındaki boşluğu kontrol edin ve kirlenme varsa temizleyin.

4.2 Alttan temizlik (bir kaldırma aleti kullanarak)



Alçak profilli tartım platformunu eğmek için METTLER TOLEDO'dan temin edebileceğiniz kaldırma aletini kullanabilirsiniz.

Kaldırma aletinin kurulumu ve kullanımını için ilgili dokümantasyona başvurun (ME-22015711 ve ME-22016758).

Kaldırma aletinin kullanılmasına dair güvenlik önlemleri

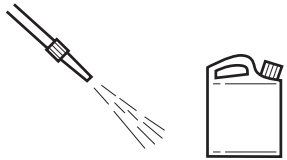
- ▲ Kaldırma aletini -10 °C ila +40 °C sıcaklık aralığının dışında kalan sıcaklıklarda kullanmayın. Aksi takdirde, pnömatik yayların güvenliği konusunda garanti verilmemektedir.
- ▲ Kaldırma aletini yalnızca bu konuda eğitim almış personel kullanabilir.
- ▲ Kaldırma aleti ilk kez hizmete sokulmadan önce, servis çalışmalarından sonra ve en az 3 yılda bir olmak üzere güvenlik gerekliliklerine uygun olup olmadığı konusunda kontrol edilmelidir.



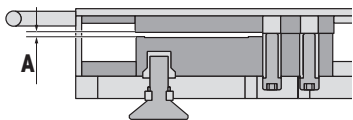
DİKKAT

Küçük hasarlar, korozyon ya da piston kollarının üzerindeki boya parçacıkları bile pnömatik yaylarda arızaya yol açabilir.

- ▲ Pnömatik yayı kirlenme ve hasara karşı koruyun.

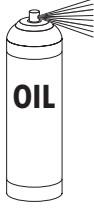


1. Tartım platformunu bir kaldırma aletiyle yana eğin.
2. Aşındırıcı maddeler, kir ve kalıntıları yüzeyinden düzenli olarak temizleyin.
3. 60 °C ve azami 2 bara kadar, minimum 40 cm'den su jeti kullanın.



4. Yük sensörünün aşırı yük koruması ve tartım platformunun yük kasası arasındaki boşluktan (A) kirleri temizlemek için basınçlı hava kullanın.

4.3 Daha sonra yapılması gereken işlemler



Tartım platformunu korumak için daha sonra aşağıdaki işlemleri yapın:

- Tartım platformunu temiz suyla durulayın ve üzerindeki temizlik maddesini tamamen temizleyin.
- Tartım platformunu tüy bırakmayan bir bezle kurutun.
- Paslanmaz çelik tartım platformlarını düzenli olarak üst ve alt tarafından gıdalar için uygun bir yağla yağlayın.

4.4 Cihazın atılması



Atık Elektrikli ve Elektronik Ekipmanlarla (WEEE) ilgili 2002/96 EC sayılı Avrupa Direktifi doğrultusunda, bu cihaz evsel atıklarla birlikte atılamaz. Bu durum AB dışındaki ülkelerde de, bu ülkelere özel gereklilikler doğrultusunda geçerlidir.

- Lütfen yerel düzenlemeler doğrultusunda bu ürünü elektrikli ve elektronik ekipmanlar için belirlenmiş toplama noktasına teslim edin.

Kaldırma aletinin pnömomatik yağlarının atılması

- Pnömomatik yağlar açılmamalı ya da ısıtılmamalıdır.
- Pnömomatik yağlar yalnızca imalatçının talimatlarına göre açılabilir.
- Pnömomatik yağların yağ dolgusu imalatçının talimatlarına göre atılmalıdır.

5 Teknik veriler ve çalışma sınırları

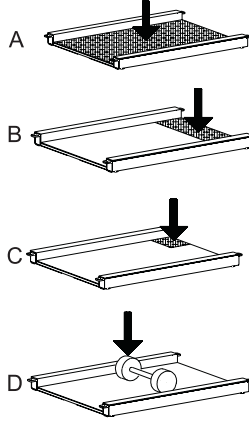
5.1 Azami doğrulama ölçek aralığı

Doğrulama ölçek aralığı yük hücresi ve ölçek yapılandırmasına bağlıdır. Azami doğrulama ölçek aralığı aşağıda verilmiştir.

Azami doğrulama ölçek aralığı [e]	Kapasite			
	300 kg	600 kg	1200 kg	1500 kg
3 x 3000 e Multi Range max / e [kg]	–	–	–	300 / 0,1 600 / 0,2 1500 / 0,5
1 x 6000 e Single Range [kg]	0,05	0,1	0,2	–

5.2 Azami izin verilen yük

Tüm tartım platformlarında aşırı yük koruması bulunur. Ancak yük azami izin verilen yükü aşarsa mekanik parçalarda hasar meydana gelebilir.



Statik yük taşıma kapasitesi, yani azami izin verilen yük, yükleme türüne bağlıdır (pozisyonlar A – D).

Pozisyon	PUA57..CS PUA57..FL	PUA57..E PUA57..FM	PUA57..FH
A merkezi yük	800 kg	1850 kg	3000 kg
B yan yük	400 kg	900 kg	1800 kg
C tek taraflı köşe yük	300 kg	450 kg	900 kg
D bağımsız tekerlek yükü min. tekerlek mesafesi 500 mm	200 kg	400 kg	800 kg

5.3 Ortam koşulları

Tartım platformu ve yükseltilebilir tartım platformlarının gaz basınçlı yayları yalnızca -10 °C ila +40 °C aralığında kullanılabilir.

5.4 Dijital tartım arayüzü teknik özellikleri (yalnızca güvenli alan)

Arayüz türü	RS422
Arayüz protokolü	SICSpro
Azami kablo uzunluğu	20 m

5.5 Tartım terminallerine bağlantı

Tartım arayüzü	Tartım terminali
SICSpro	SICSpro RS422 arayüzüne sahip tüm METTLER TOLEDO tartım terminalleri bağlanabilir.
ACC409xx SICSpro-IDNet adaptörü (opsiyon)	Yalnızca aşağıdaki METTLER TOLEDO eski IDNet tartım terminalleri bağlanabilir: IND570, IND690, IND780, IND890, ID7, ICS__9, ICS__5.

5.6 Kategori 2 / Kategori 3 için teknik özellikler

Kategori 2 / Kategori 3 teknik özelliklerini ilgili tip onay belgelerinde bulabilirsiniz, bölüm 2.3'deki tabloya bakınız.

www.mt.com/support

For more information

Mettler-Toledo AG

Im Langacher 44
CH-8606 Greifensee, Switzerland
Tel. +41 (0) 44-944 22 11
Fax +41 (0) 44-944 45 10
www.mt.com

Subject to technical changes
© Mettler-Toledo AG 01/2019
30290732C CEU

