

Versatile Wireless Solution

Fast and Flexible Peripheral Connectivity



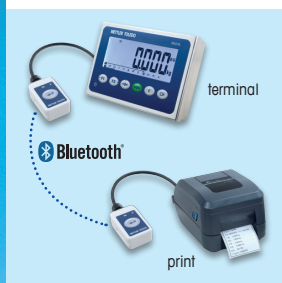
Low Power Consumption

- These industrial Bluetooth adaptors (Version 4.1) feature very low power consumption and are powered directly via the terminal's RS232 interface. The user is independent of any additional power supply.
- Arrange your working space however you wish via a stable data transmission distance of up to 10 meters.



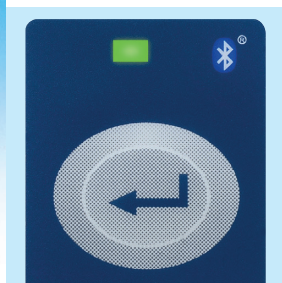
Easy Installation and Pairing

- The ACM360 Bluetooth adaptor allows for simple installation – just press the adaptor's multifunction key sequentially and you are ready to go.
- The additional available bracket allows mounting the adaptor at any convenient position. This makes the ACM360 a truly versatile wireless solution.



Flexible Label Printing

- The adaptor stores up to 10 different label templates. This is a perfect enhancement especially for our economic weighing terminals.
- The "multi to one" mode connects several terminals to one printer, reducing the amount of cabling and total number of printers needed.



Intelligent LED Interfacing

- The LED indicator changes colors depending on the status of the device.
- Get current status immediately by pressing the multi-function key.



ACM360 Bluetooth Adaptor Fast and Convenient Wireless Connection

The ACM360 is an industrial solution to connect peripherals such as printers or other Bluetooth 4.x Android smart devices to any METTLER TOLEDO terminal in a fast and convenient way. In addition to establishing terminal-to-terminal communication, the ACM360 is designed to provide an undisturbed wireless connection in rough environments.

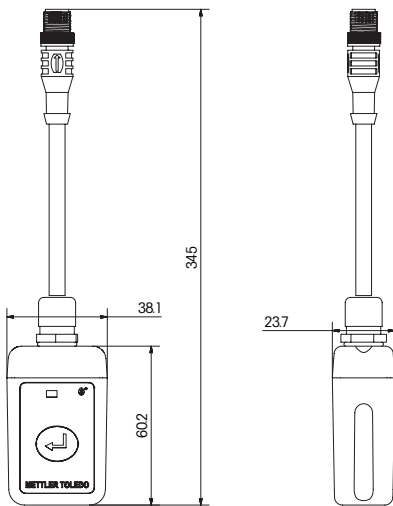
Thanks to its low power consumption, the ACM360 can be directly powered over the terminal's RS232 interface, which makes an additional power supply obsolete. It also offers several multi-function features:

- Adaptor grants stable Bluetooth communication, but also handles your print templates
- Fast cable-free communication between METTLER TOLEDO terminals and a broad range of peripherals
- Suitable for harsh industrial environments (IP65)

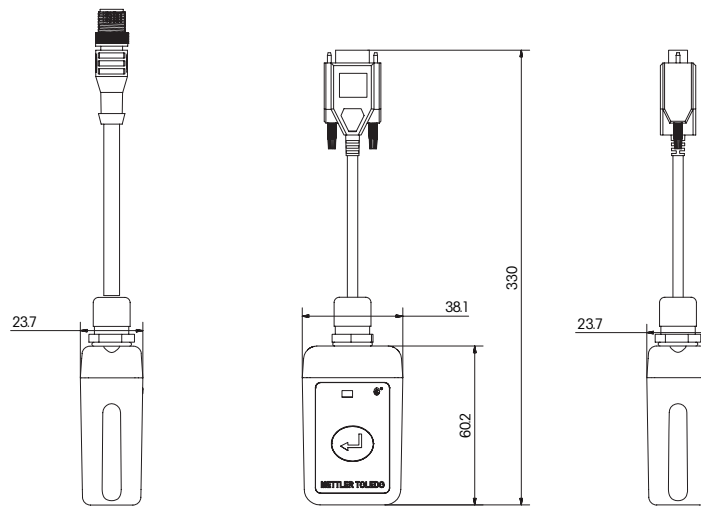
ACM360 Bluetooth Adaptor

Technical Data

Item	Parameter	
Bluetooth Version	Bluetooth version 4.1 (only compatible with Bluetooth version 4.x device)	
Average power consumption	10mA; ~50mW	
Standard communication distance	~10m (powered via RS232 signal)	
Baud rate	4800, 9600, 19200, 38400, 57600, 115200bps	
Work mode	SSP or Label print	
Housing	ABS	
Ingress Protection	IP54 (DB9 version)	
	IP65 (M12 version)	
Inner antenna	Output power	0 dBm
	Sensitivity	-96 dBm
Power supply	RS232 signal or 5 ~ 9 VDC from RS232 Pin 9	
Key	One multi-function key	
Indicator	Three color LED indicator (red, yellow, green)	
Accessory	Bracket (ABS)	



ACM360-M1
M12 version (for ICS4&6 Series)



ACM360-D1
9 D-Sub female version (general application)

www.mt.com

For more information



Mettler-Toledo (Changzhou)
111 West Taihu Road Changzhou
Jiangsu 213125 China
Tel. +86-519-8664-2040
Fax +86-519-8664-1991

Subject to technical changes.
© 2017 Mettler-Toledo (Changzhou)
Printed in P. R. China 2017/03