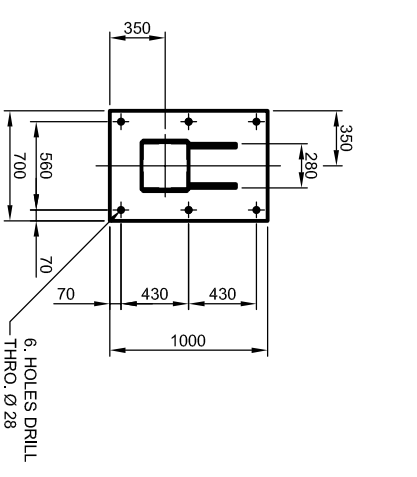
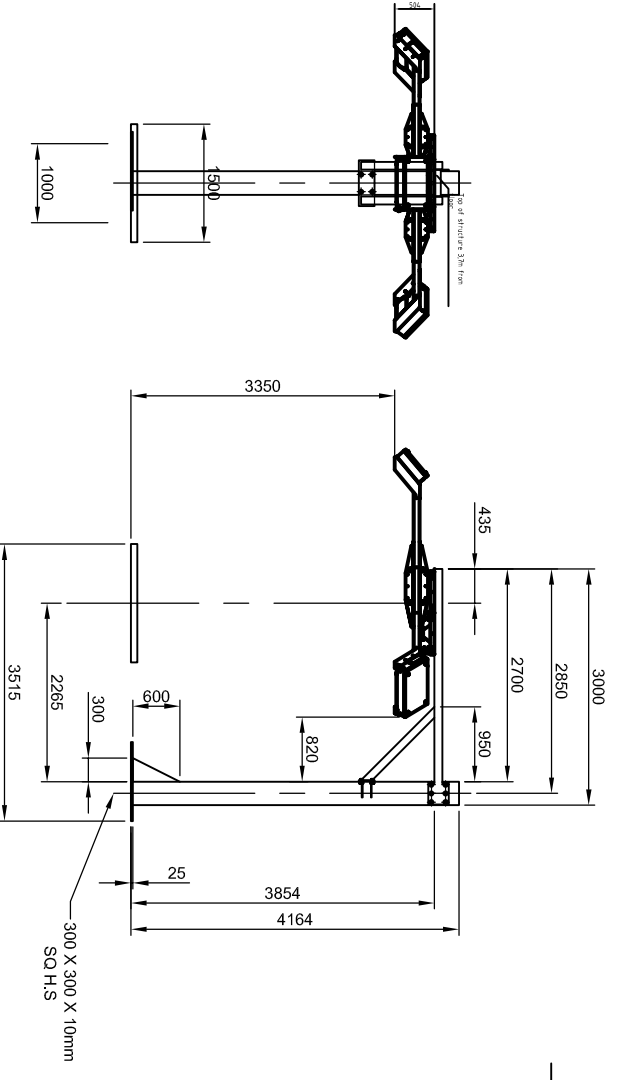
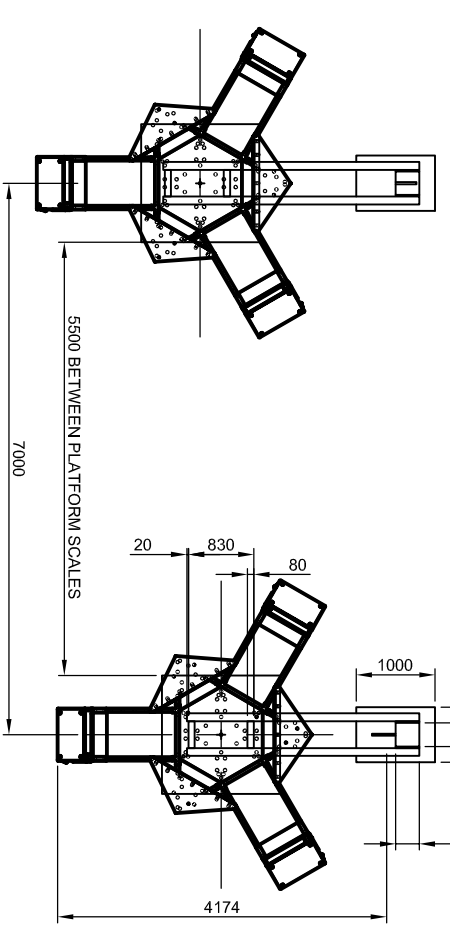
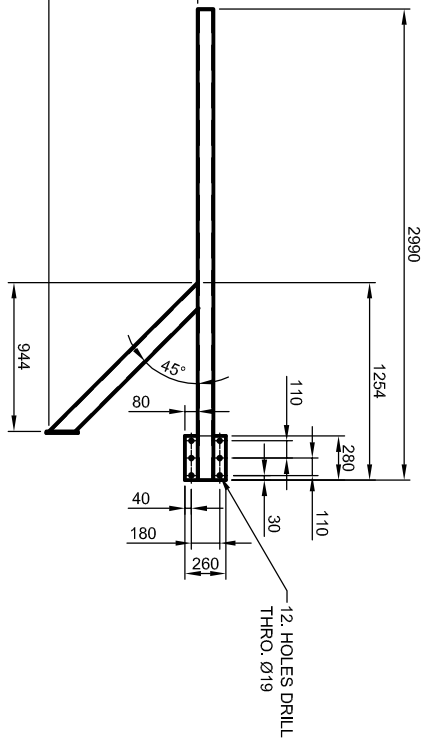
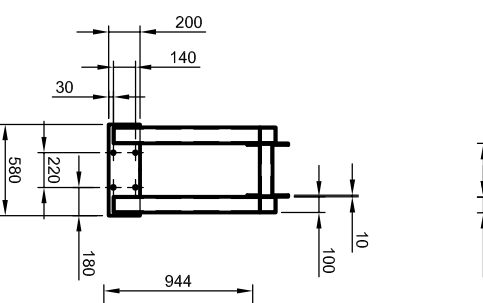
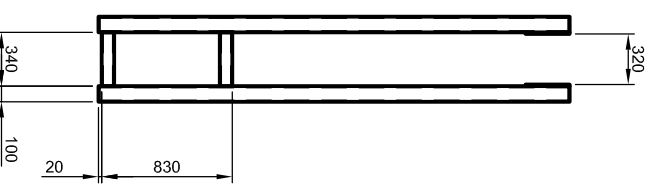
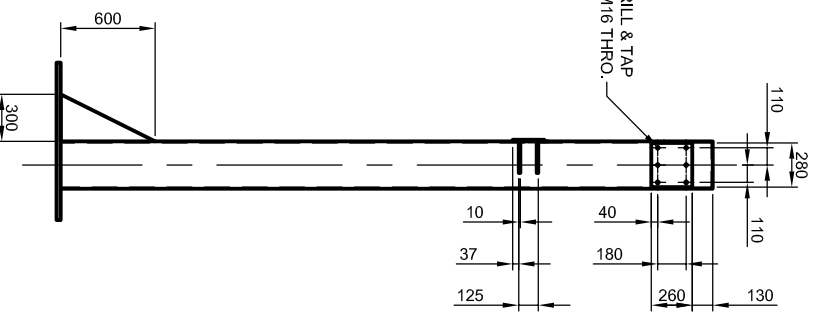
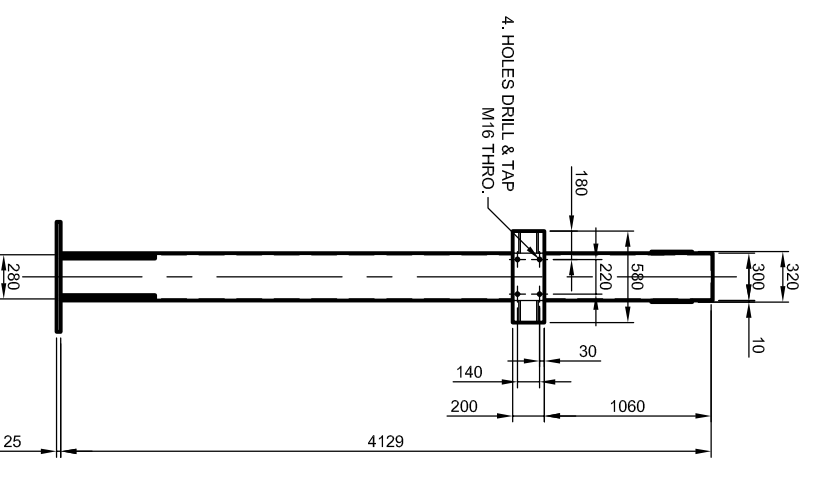
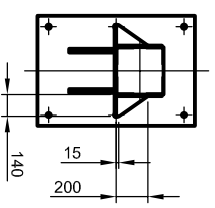


ISSUE	Revision note	Date	Signature/Checked
B	GANTRY ARM LENGTH INCREASED TO 2990 WAS 2725mm.	10/08/07	SJM SJM



**MATERIAL:-**  
MILD STEEL  
300 X 300 X 10mm HOLLOW SECTION  
100 X 100 X 6mm HOLLOW SECTION  
10mm PLATE  
25mm PLATE

**ALL WELDS TO BE CONTINUOUS, CRACK AND UNDERCUT FREE. REMOVE ALL SHARPE EDGES, BURRS AND WELD SPLATTER.**

**ALL OPEN ENDS TO BE BLANKED OFF.**

**FINISH:-** POWDER COAT  
**COLOUR:-** MATT BLACK

**MANUFACTURE TO SUPPLY THE FOLLOWING HT FASTENERS.**

16 OFF M16 X 40 HEX HD HT BOLTS  
16 OFF M16 FLAT WASHERS  
16 OFF M16 SPRING WASHERS  
6 OFF M24 CHEMICAL ANCHORS

**TOLERANCES U.O.S.**  
FABRICATION MACHINING  
0.10 TO 1000 ± 1  
1000 & ABOVE ± 2  
DECIMAL 0.025 ± 0.025  
LE 4.1AW  
ALL DIMENSIONS IN MILLIMETRES U.O.S.  
REMOVE ALL DIMENSIONAL SURFACES  
SPECIFIC DIMENSIONS IN U.S.

**Mentelink- Toledo Limited**  
64 Boston Road  
Beaumont Leys  
Leibership  
LE4 1AW  
Tel: - 0116 2567070  
Fax: - 0116 2565500

**MENTELINK**  
TOLEDO

**DRAWING TITLE**  
CSN 840 SUPPORT GANTRY  
MILD STEEL SECTION, POWDER COAT

DRAWN	DATE	DESIGN ENG	DATE	CHECKED BY	DATE
SJM	04/08/07	SJM	04/08/07	SJM	

**DRAWING No.** M208418

**SCALE** 1:30

**DO NOT SCALE**

**ISSUE** B

THIS PRINT IS NOT AUTHORIZED UNLESS IT IS STAMPED AND SIGNED

1 2 3 4 5 6 7 8 9 10 11 12 13 14 15 16

A B C D E F G H