

EasyClean 100/150

Automatic Sensor Cleaning System



METTLER TOLEDO

English: page **3**

Deutsch: Seite **37**

Français: page **71**

EasyClean 100 **EasyClean 150**

Instruction Manual

© It is forbidden to reprint this instruction manual in whole or part.

No part of this manual may be reproduced in any form, or modified, copied or distributed using electronic systems, in particular in the form of photocopies, photographs, magnetic or other recordings, without written consent of Mettler-Toledo GmbH, Process Analytics, CH-8902 Urdorf, Switzerland.

All rights reserved, in particular reproduction, translation and patenting/registration.

InTrac and InDip are trademarks of the METTLER TOLEDO Group.

All other trademarks are the property of their respective owners.

How to use this instruction manual

This instruction manual is an integral part of the EasyClean 100 and EasyClean 150 and contains notes and instructions that are important for safety and operation.

All persons working on or with the EasyClean 100 and/or EasyClean 150 must have first read and understood the sections appropriate to the work in hand.

Please read this instruction manual carefully before using the EasyClean system. Keep this document close to the unit, so operating personnel may be easily refer to it at any time.



First read Chapter 2 «Safety»!

Contents

1	Product description	7
1.1	Introduction	7
1.2	Fittings and deliverables	7
1.3	Data and key characteristics EasyClean 100/150	8
2	Safety	10
2.1	Introduction	10
2.2	Intended use	10
2.3	Inappropriate use	10
2.4	Basic principles	11
2.5	Warning notices and symbols	11
2.6	Responsibility, organizational measures	12
2.7	Product-specific hazards	13
2.8	Residual hazards	13
2.9	Emergency measures	13
2.10	Safety measures	14
2.11	Modifications	14
3	Your device	15
3.1	Layout	15
3.2	Functions	16
3.3	Integration into a measurement system	17
4	Commissioning	18
4.1	Fitting	18
4.2	Connections	20
4.3	Installation and commissioning	24
5	Operation	26
5.1	Checks by the operator	26
5.2	Operating the EasyClean 100	26
5.3	Operating the EasyClean 150	26
5.4	Procedure in the event of a failure in the power supply	27
6	Maintenance and fault elimination	28
6.1	Maintenance	28
6.2	Fault elimination and repairs	29
7	Decommissioning, storage, disposal	31
7.1	Decommissioning	31
7.2	Storage	31
7.3	Environmental protection	31
8	Spare parts and accessories	32
8.1	List of spare parts and accessories EasyClean 100	32
8.2	List of spare parts and accessories EasyClean 150	34

1 Product description

1.1 Introduction

Conformity

EasyClean 100 and EasyClean 150 correspond to the following guidelines:

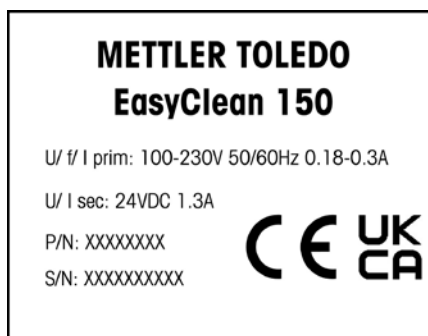
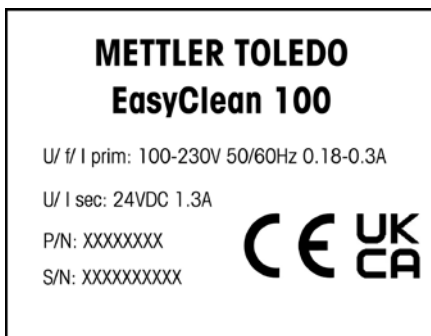
- Low voltage guideline:
 - EU guidelines 73/23/EU
 - Swiss guidelines SR734.26NEV
 - safety guidelines EN61010-1
 - IP-rating EN60529 IP65
- Guidelines EMC:
 - emission EN61326-1, Class B
 - harmonics EN61000-3-2
 - voltage deviations EN61000-3-3
 - immunity EN61326-1

Certificates

CE, GS

Identification

The type plate is located on the left-hand exterior of the housing.



1.2 Fittings and deliverables

Deliverables

EasyClean 100 and 150 are shipped without connecting cables. At the installation site, cables are connected to the appropriate terminals in the unit (please refer to **section 4.2 «Connections»**).

Packaging

The unit is packed in plain and padded cardboard.

We recommend that you retain the packing materials for subsequent storage or transportation of the unit. Should you choose to discard the packing materials, observe local regulations and **section 7.3 «Environmental protection»**.

Good inspection

Check the goods for damage while unpacking. Should you notice signs of damage, inform the shipper and your supplier without delay.

Check the delivery against your order and the delivery note.

1.3 Data and key characteristics EasyClean 100/150

Housing	steel housing, powder-coated with polyester resin material: mild steel DIN 1.1203 Ck55 attention: housing may not be cleaned with solvents containing acetone
Weight of control unit	approx. 3 kg (6.6 lb)
Protection rating	IP 65
Ambient conditions	temp. in operation: 0 – +45 °C (+32 – +113 °F) temp. storage/transportation: –10 – +70 °C (+14 – +158 °F) degree of pollution: 2 overvoltage category: III
Power supply	100 – 230 V AC, 50/60 Hz, 0.18 – 0.3 A (± 15 %)
System control	process initiation: – via a wash contact in the associated transmitter sequence: – can not be set on unit
Control input	1 control input for wash contact in transmitter 24 V
Transmitter	METTLER TOLEDO transmitters: – pH 2050e, O2 4050e, Cond 7050e – pH 2100e, O2 4100e, Cond 7100e, Trb8300 – alternatively via any standard transmitter with wash contact and «hold» function
Electrical connections	Terminal strip 0.08 – 2.5 mm ²
Connection transmitter	4-wire control cable, 4 x 1.5 mm ² length: 5 m (optional 10 m)
Cable ducts	∅ 3.5 to 10 mm => M 16
Compressed air supply	4 – 8 bar (400 – 800 kPa, 58 – 116 psi) – air quality according to ISO 8573-1 – moisture class 4 (water dew point +3 °C) – particles class 5 (filter 40 µm) – max. oil content class 2 (0.1 mg/m ³) connection: thread G $\frac{1}{8}$ "

Connection to InDip housing	LDPE hose \varnothing 6/4 mm ($\frac{1}{8}$ " / $\frac{1}{4}$ " optional: PTFE hose \varnothing 6/4 mm ($\frac{1}{8}$ " / $\frac{1}{4}$ "
Connection to InTrac housing	LDPE hose \varnothing 6/4 mm ($\frac{1}{8}$ " / $\frac{1}{4}$ " optional: PTFE hose \varnothing 6/4 mm ($\frac{1}{8}$ " / $\frac{1}{4}$ "
Flushing water supply	pressure: 2 – 6 bar (200 – 600 kPa, 29 – 87 psi) connection: thread G $\frac{1}{4}$ " female adapter: $\frac{1}{4}$ " NPT male (PP)
Spray head material	PVC or PVDF
Materials in contact with flushing water, compressed air or	PP, LDPE, Viton™, brass, stainless steel DIN 1.4105, 1.4303, 1.4310
Medias in connection with the LDPE hose	water 0 – 60 °C (32 °F – 140 °F)
Medias in connection with the PTFE hose	water 0 – 90 °C (32 °F – 194 °F)

Subject to technical changes

2 Safety

2.1 Introduction

This instruction manual lists the main points of how to use the EasyClean 100/150 efficiently, in the intended manner. For safe, trouble-free operation, operators must be aware of these safety instructions and comply with further warning notices in the instruction manual.

This instruction manual, and the safety requirements in particular, must be observed by the operator and all other persons working with the EasyClean 100/150. Compliance with local regulations and statutory requirements is also essential.

The instruction manual must always be stored close at hand, in a place accessible to all people working with the EasyClean 100/150.

2.2 Intended use

EasyClean 100 and EasyClean 150 are intended solely for automatically controlled or manually flushing of sensors, as described in this instruction manual.

Other prerequisites for appropriate use include:

- observing the instructions, notes and requirements set out in this instruction manual
- observing the prescribed inspection and maintenance intervals
- correct care and maintenance of the unit, according to the instruction manual
- observing the prescribed environmental and operational conditions, and permitted installation positions.
- compliance with local statutes

2.3 Inappropriate use

Any other use, or use not mentioned here, that is incompatible with the technical specifications is deemed inappropriate. The operator is solely responsible for any damage arising from such use.

The following are deemed particularly inappropriate:

- use of hydraulic fluid in place of compressed air
- use of suspensions as cleaning media

2.4 Basic principles

EasyClean 100/150 and the spray head are state-of-the-art constructions and comply with engineering safety guidelines.

All the same, there are certain risks and hazards:

- if the unit is operated by inadequately trained personnel.
- if the unit is not used in the intended manner.

EasyClean 100/150 and the spray head must only be used while in perfect working order, for its intended purpose, with due awareness of associated safety and hazard issues and in compliance with the instruction manual.

Defects or damage that impact the unit's safety and functionality must be immediately repaired by the operator or a suitably qualified person, and reported in writing to the manufacturer.

2.5 Warning notices and symbols

This instruction manual identifies safety instructions by means of the following symbols:



DANGER!

Warns of a hazard that could lead to extensive material damage, death or grievous bodily injuries.



CAUTION!

Warns of a potentially hazardous situation that could lead to minor bodily injury and/or material damage.



NOTE!

Information relating to technical requirements. Non-observance could lead to defects, inefficient operation and possible loss of production.

2.6 Responsibility, organizational measures

Operator's responsibilities

- The operator must only permit personnel to work with the EasyClean if they are acquainted with basic regulations concerning workplace safety and accident prevention, and familiar with operating the unit. This instruction manual serves as a basis.
- In addition to the instruction manual, the operator must provide instruction in general statutory and other binding regulations concerning workplace safety and accident prevention, as well as environmental protection.
- Personnel safety and hazard awareness must be monitored regularly.
- Steps must be taken to ensure that the EasyClean is operated only while in a safe, properly functional state.

Personnel responsibilities

- All persons working with the EasyClean must have read the section on safety and responsibilities the warning notices contained in this instruction manual.
- In addition to the instruction manual, generally applicable statutory and other binding regulations concerning workplace safety and accident protection must also be observed.
- Avoid any hazardous working practices that exceed the unit's intended purpose.

Personnel selection and qualification – basic responsibilities

- Only dependable, trained or supervised personnel may work with the EasyClean. Operators must read this instruction manual beforehand.
- Responsibilities for operating, maintaining, installing, etc. the unit must be clearly defined.
- Appropriate steps must be taken to ensure that the unit is used by authorized personnel only.
- Personnel under instruction, supervision or general training may only work with the unit under constant supervision by an experienced person.
- Work on electrical parts of the unit may only be performed by a qualified electrician in compliance with electrical engineering regulations.

Constructional modifications on the unit

- The unit may not be modified, extended or rebuilt in a way that impacts its safety without written permission from Mettler-Toledo GmbH, Process Analytics.
- Any parts that are not in perfect working order must be replaced without delay.

2.7 Product-specific hazards



Electrical hazards!

Opening the unit for installation or repair work exposes live electrical parts.

Close the unit immediately after work is completed!



Compressed air/water hazards!

Pressurized pipes (compressed air, water) must be isolated and depressurized before commencing repair work!

2.8 Residual hazards



Despite all precautionary measures, there remain residual hazards such as:

- a pipe bursting
- hazards arising from a defect in a supervisory controller.

2.9 Emergency measures



Should fluid come into contact with the eyes, rinse thoroughly under running water for at least 15 minutes. A doctor must be consulted for subsequent diagnosis.

Fluid coming into contact with the skin must be immediately washed away with water.

Medical assistance is mandatory for symptoms that clearly arise from skin or eye contact with a medium. Inform the doctor about the type and specific identity of all materials used.

2.10 Safety measures

Always observe local statutes and regulations. They are not incorporated in this instruction manual.

Personal safety equipment like protective goggles and clothing must be worn.

The unit must only be operated while closed.

The operator is responsible for personnel instruction. By way of assistance, the instruction manual can also be ordered in other languages. Being an integral part of the unit, this instruction manual must always be available at the unit's location.

The operator should immediately inform the manufacturer about all safety-related events occurring during use of the unit.

2.11 Modifications

Modifications are permitted only after prior consultation and written approval from the manufacturer.

Only those parts of the unit essential to fulfilling its function may be removed and refitted.

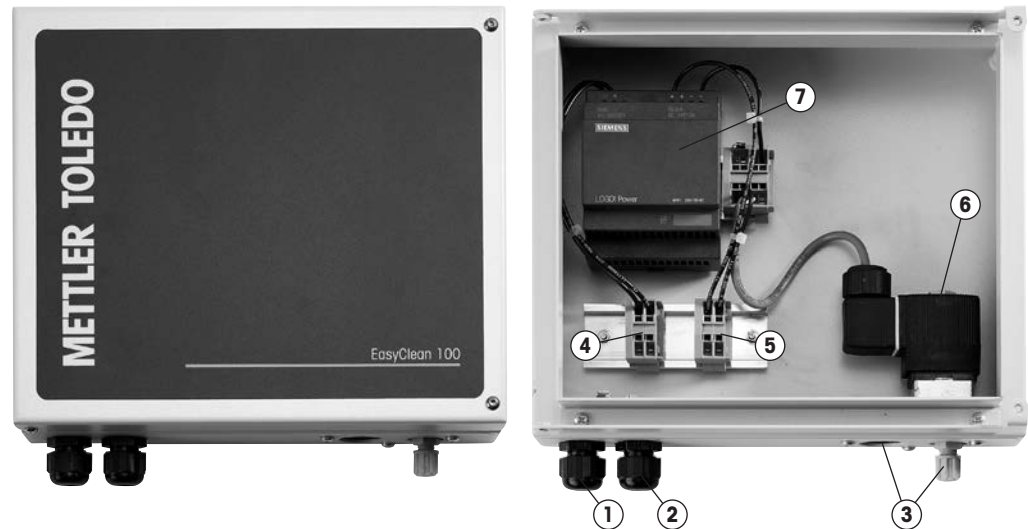
This may be accomplished by hand, or with the supplied tools. Except for authorized service personnel, it is forbidden to remove protective guards and covers using a regular tool.

Touching live electrical parts represents a lethal hazard.

3 Your device

3.1 Layout

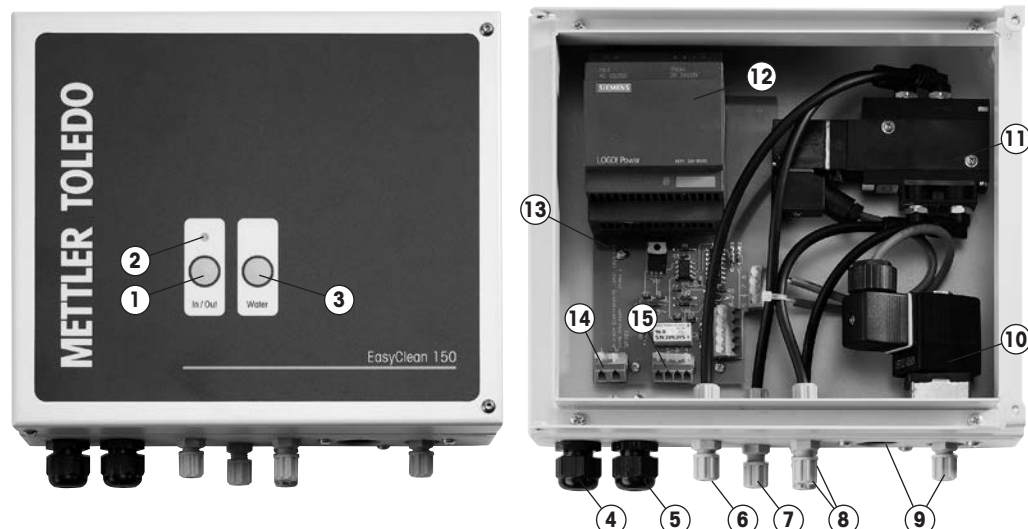
EasyClean 100



- 1 Main connection
- 2 Control cable connection
- 3 Compressed air or water connection
- 4 Connection terminal main cable

- 5 Connection terminal control cable
- 6 Compressed air / water valve
- 7 Power supply unit

EasyClean 150



- 1 «In/Out» push button (position selector switch)
- 2 Pilot light LED
- 3 «Water» push button
- 4 Main connection
- 5 Control cable connection
- 6 Compressed air connection
- 7 Air discharge
- 8 Compressed air outlet housing

- 9 Water connection
- 10 Water valve
- 11 Compressed air valve
- 12 Power supply unit
- 13 Control print
- 14 Connection terminal main cable
- 15 Connection terminal control cable

3.2 Functions

General

The EasyClean 100/150 controls the supply of compressed air or water to an electrode tip, which is integrated into an InDip housing (EasyClean 100) or into a retractable housing (EasyClean 150). The flow is released and stopped via the transmitter's washing contact.

Types of operation

The transmitter assumes overall control of the device.

Basic setting

The valves are de-energized when closed.

In the event of a loss of pressure the InTrac housing remains in its last position. In the event of a power failure in the EasyClean 150, the sensor moves out of the process and the transmitter changes to «hold mode» (reading is frozen).

In the event of a power failure, all functions of the EasyClean 100 cut out, with no impact on the reading.

Hold function

For the exact function and settings of the Hold relay, please refer to the instruction manual for the transmitter in question.

Pilot lights

The EasyClean 100 has no pilot lights.

The EasyClean 150 has a pilot light (LED) built into the front. The light is connected to the control valve that controls the housing movement. It does not therefore indicate any fault in the operation of the housing, but only indicates the key status (automatic operation or in retracted «service mode»).

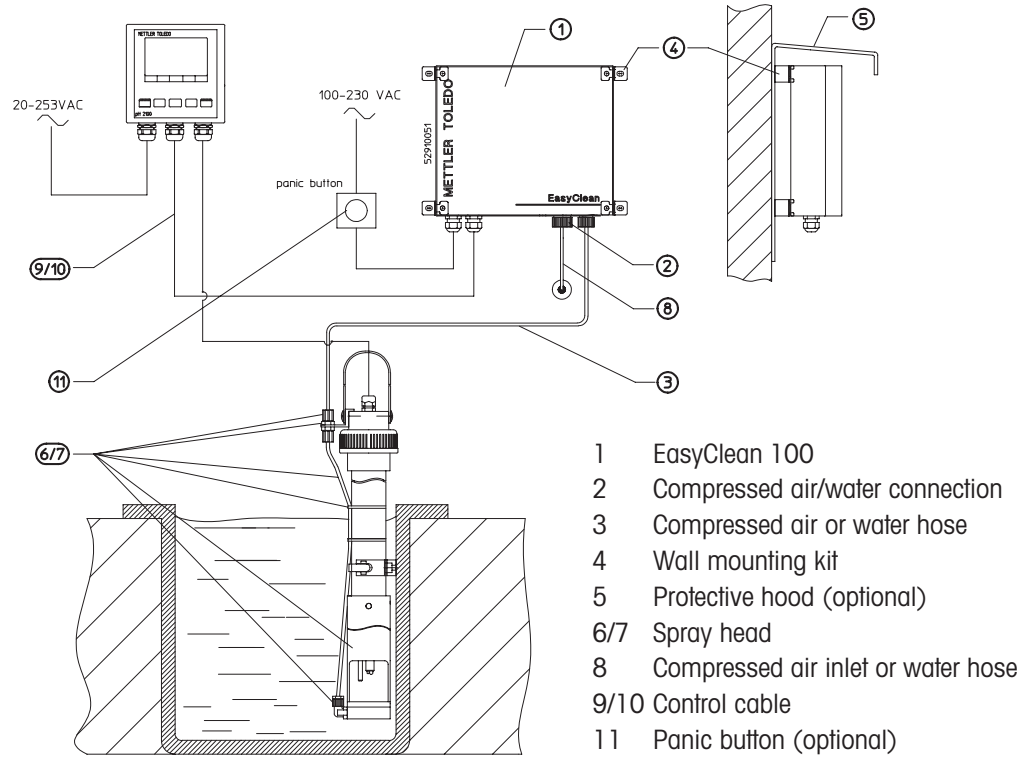
Program sequence

The rinse and wash time is indicated by the control signal (wash contact) of the transmitter, (see transmitter's instruction manual).

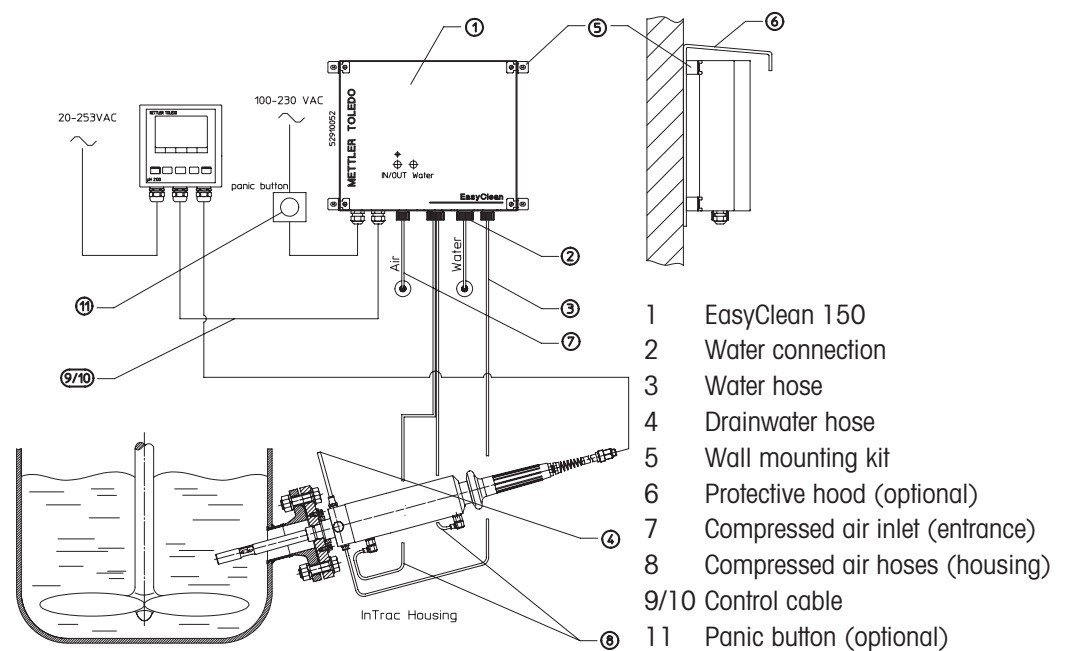
3.3 Integration into a measurement system

The following diagrams show typical examples of the integration of the EasyClean 100 or the EasyClean 150 respectively into a measurement system.

EasyClean 100



EasyClean 150



4 Commissioning



DANGER

Please refer to chapter 2 «Safety».

All work on the system's electrical components may only be performed by authorized, specialist staff.



NOTE

During commissioning, please proceed according to section 4.3 «Installation and commissioning». Note the references to more detailed information.

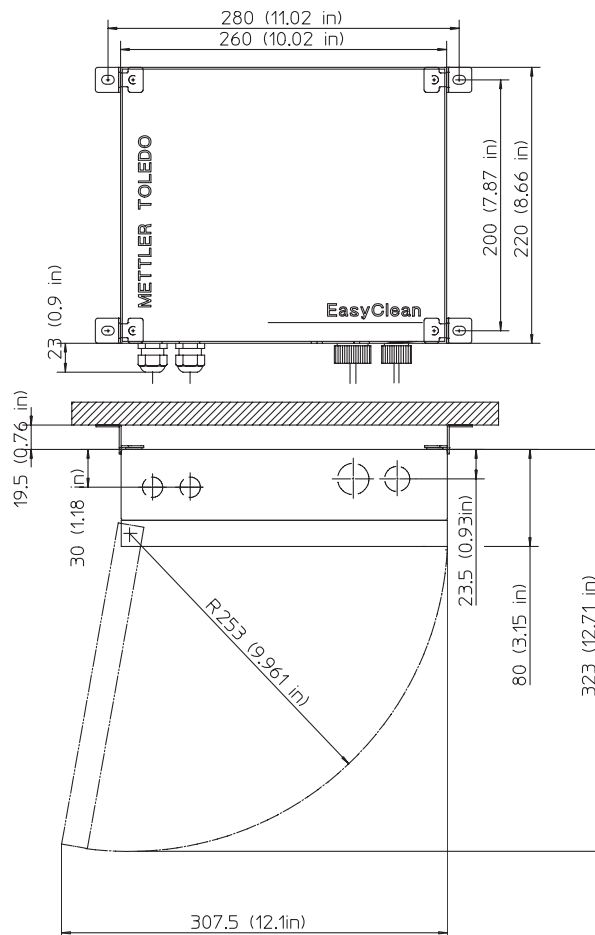
4.1 Fitting

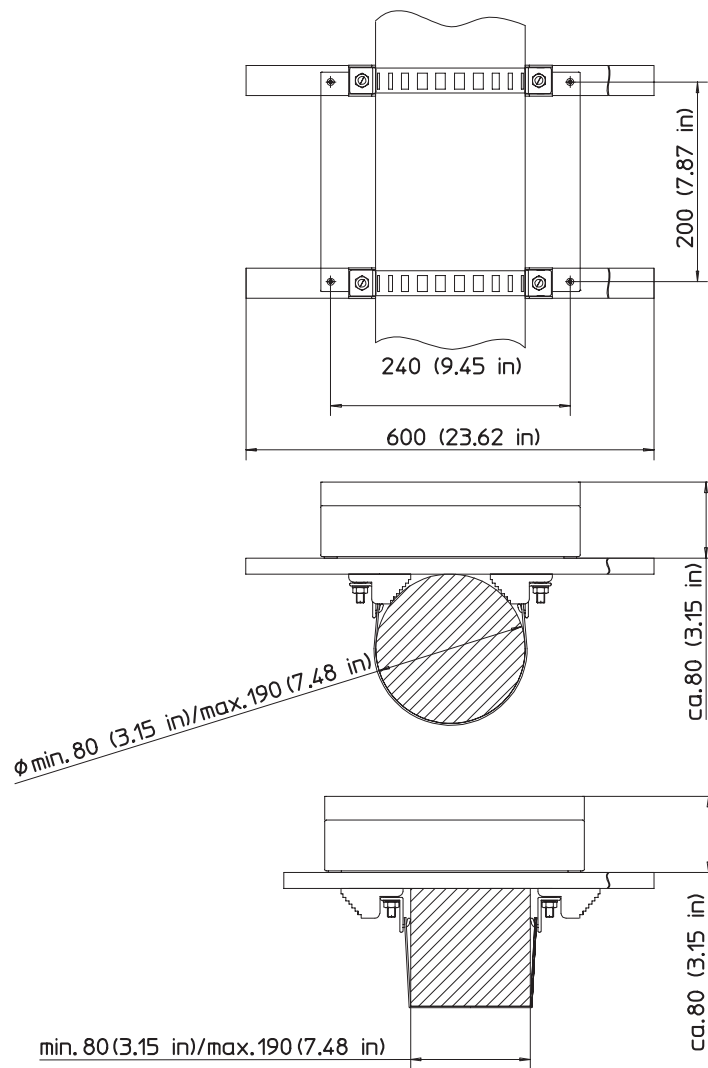
The EasyClean 100 and 150 are designed to be fitted directly (c-rails), on to walls or posts/ pipes. The EasyClean 100 and 150 are built into the same type of housing and therefore have the same dimensions.

The fitting location must have sufficient stability and must as far as possible be free of vibration.

Please make sure that the lengths of the leads are as short as possible.

Wall mounting



Pipe/post mounting

For the detailed procedure when fitting the suspended item, please refer to the installation manual supplied separately.

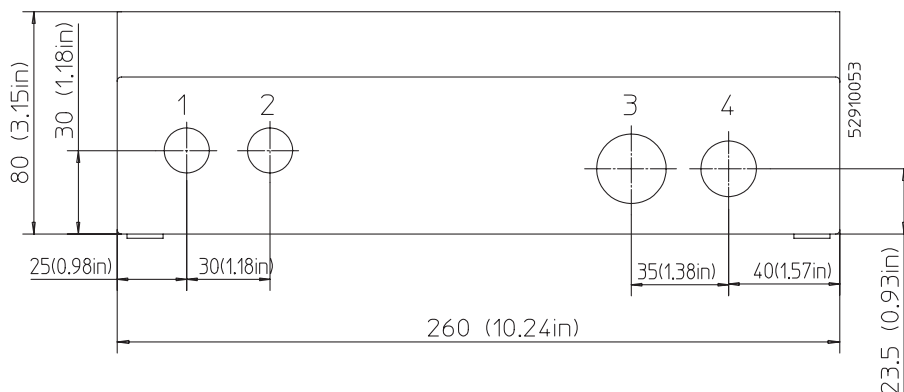
4.2 Connections



CAUTION

Before making connections, check that the connection values as described in section 1.3 «Data and key characteristics» are observed.

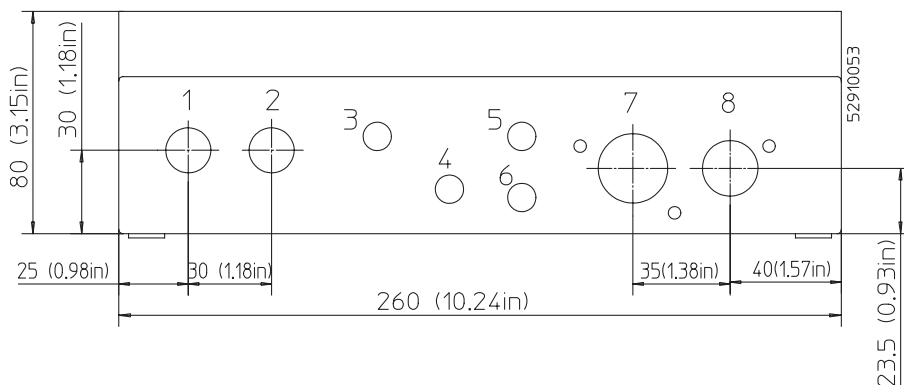
Connections to the housing floor



EasyClean 100

- | | |
|---------------------------------|--|
| 1 Main cable sleeve M16 | 3 Air/water input G $\frac{1}{4}$ " NPT, female |
| 2 Transmitter cable sleeve, M16 | 4 Output to InDip housing (\varnothing 6/4 mm hose) |

Connections to the housing floor



EasyClean 150

- | | |
|--|---|
| 1 Main cable sleeve, M16 | 5 Compressed air output for InTrac housing
—> function: «Back» |
| 2 Transmitter cable sleeve, M16 | 6 Compressed air output for InTrac housing
—> function: «Forwards» |
| 3 Air input (\varnothing 6/4 mm hose) | 7 Water input G $\frac{1}{4}$ ", female, |
| 4 Air discharge | 8 Output to housing (\varnothing 6/4 mm hose) |

**NOTE**

For purposes of efficiency, a valve is installed for water and compressed air from the building close to the EasyClean 100/150. This facilitates maintenance work and increases working safety during fitting and dismantling of the device.

Please observe the local regulations for pneumatic and water installations.

Connections to the immersion housing

The spray head is designed for the METTLER TOLEDO InDip 550. If the spray head is used with a different housing, installation and operation of the spray head is at the operator's own risk.

For the installation of the retractable housing, please refer to the corresponding instruction manual for the housing.

Electrical connections

The EasyClean 100 and 150 are designed for the METTLER TOLEDO transmitter as described in section 1.3. For the correct installation to other transmitters, please refer to the relevant manual.

**DANGER**

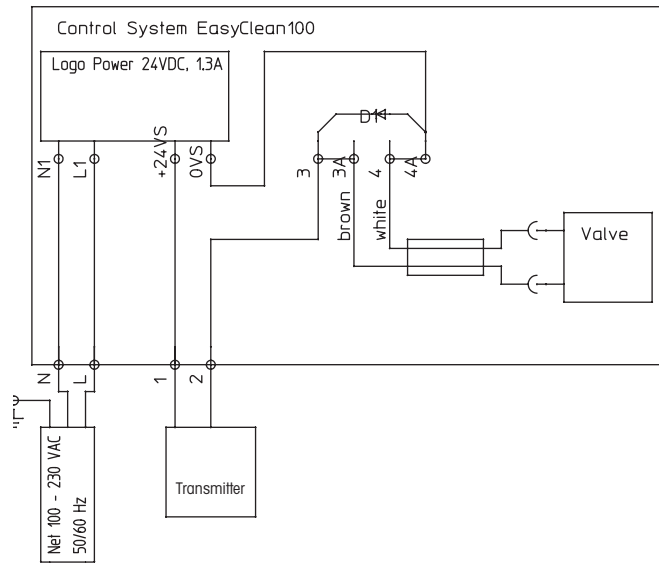
The mains connection may only be performed by authorized specialist staff in accordance with electrical engineering rules.

Please also observe local regulations for the mains connection to the building.

**NOTE**

The protective power switch has to be installed from the building installation and must be placed near the EasyClean system.

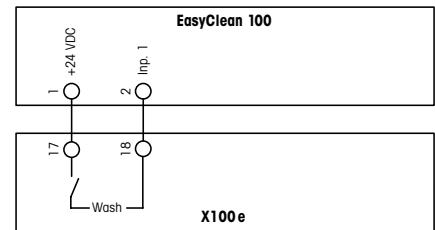
Electrical connections EasyClean 100 with METTLER TOLEDO transmitters



Electrical connections

Transmitter X100 e

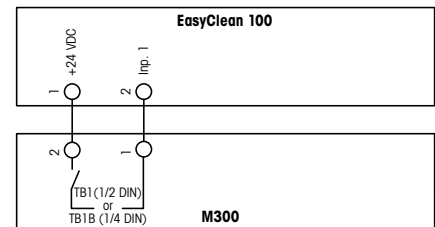
Define rinse interval and rinse time according to the process requirements on the transmitter X100 e.



Transmitter M300

Set relay #1 (default) or #2, #3, #4 on the transmitter to rinse contact.

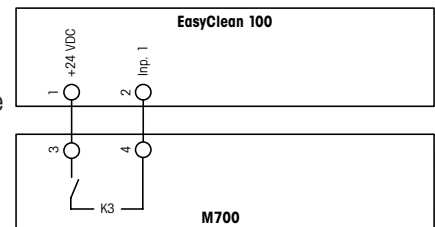
Define rinse interval and rinse time according to the process requirements on the transmitter M300.



Transmitter M700

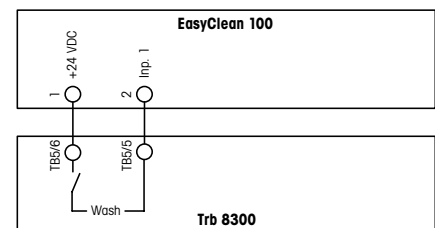
Set relays K3 (or K1 or K2) to rinse contact. Set it on NO (normally open).

Define the rinse interval and rinse time according to the process requirements.

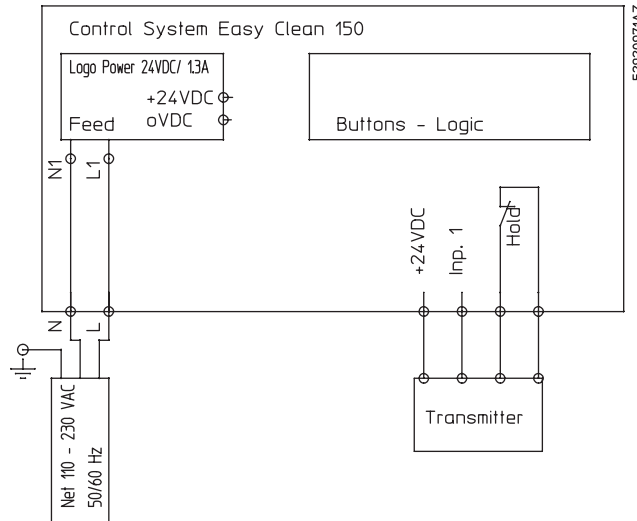


Transmitter Trb 8300

Define rinse interval and rinse time according to the process requirements on the transmitter Trb 8300.



Electrical connections EasyClean 150 with METTLER TOLEDO transmitters



Electrical connections

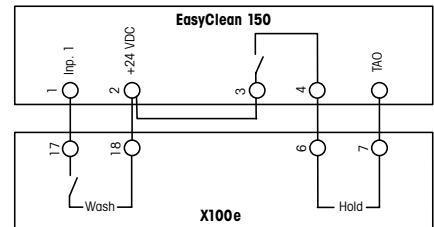
Transmitter X100 e



NOTE

Bridge terminal 2 and 3 in the EasyClean 150.

Define rinse interval and rinse time according to the process requirements on the transmitter X100 e.



Transmitter M300

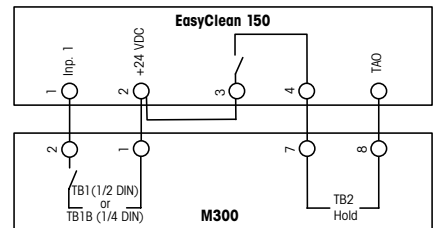


NOTE

Bridge terminal 2 and 3 in the EasyClean 150.

Set relay #1 (default) or #2, #3, #4 on the transmitter to rinse contact.

Define rinse interval and rinse time according to the process requirements on the transmitter M300.



Transmitter M700

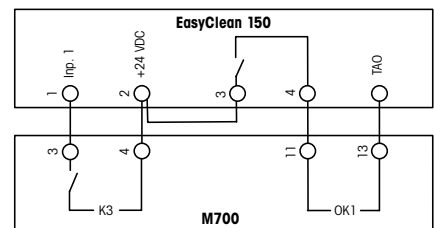


NOTE

Bridge terminal 2 and 3 in the EasyClean 150.

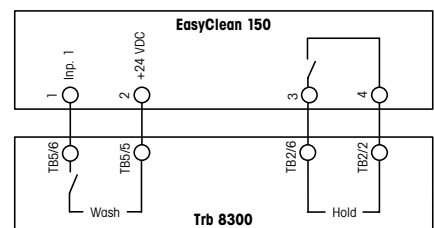
Set relays K3 (or K1 or K2) to rinse contact and NO (normally open). Define the rinse interval and rinse time according to the process requirements.

Set input OK1 to HOLD (active 10–30 V) for the external hold signal.



Transmitter Trb 8300

Define rinse interval and rinse time according to the process requirements on the transmitter Trb 8300.

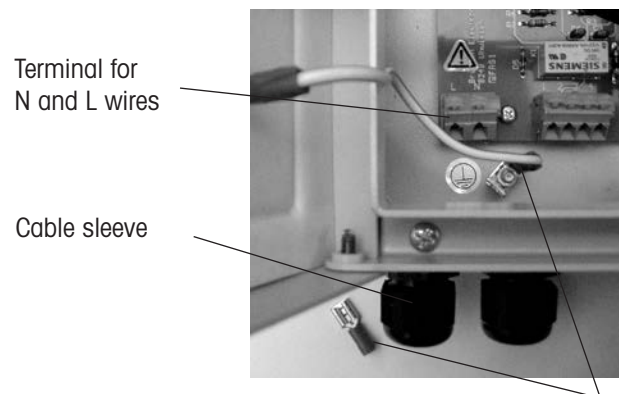


EasyClean 100 and 150 are designed to work together with METTLER TOLEDO transmitters. Please consult relevant instruction manuals of third party transmitters for proper installation.

4.3 Installation and commissioning

EasyClean 100

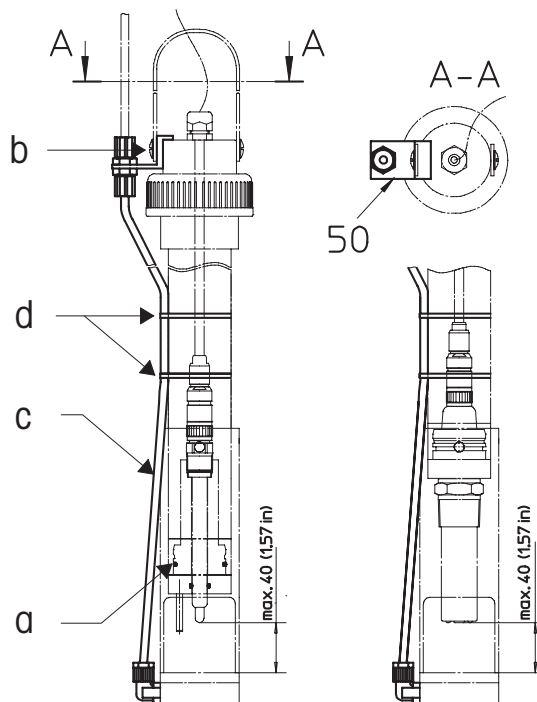
1. Fit the EasyClean to a wall or a pipe/post, so that the connections are facing downwards.
2. Connect the transmitter to the EasyClean device (see section 4.2 «Connections»).
3. Connect compressed air and water from the building, taking care to ensure that the media pressure does not exceed the specified device pressure. (see section 1.3 «Data and key characteristics»)
4. Connect hoses to the compressed air/water output and install the corresponding housing connections.
5. Connect the main cable.



When connecting the grounding wire use the supplied blade terminals.

Crimp the terminals from both sides.

6. Fitting the spray head for the EasyClean 100:



- a Push the spray head over the end of the InDip housing that is to be immersed. The distance between the air outlet opening and the electrode should be approx. 1 cm.
- b Install the hose system as follows: Place a screw in the holding band on the InDip housing, and use this screw to secure the bracket to the upper end of the housing.
- c Insert the hose between the spray head and the bracket as follows: First of all, loosen the hose screw. Push the hose by hand, without the use of any tools, into the screw housing, tighten the screw.
- d Secure the loose hose to the tube of the InDip housing using a cable binder.

7. Check before commissioning:
 - Are compressed air and rinsing water correctly connected?
 - Are all hose connections carefully (not bent!) secured?
8. First commissioning of the EasyClean 100
 - Connect the EasyClean to the power supply.
 - Open the main tap (if available) for compressed air and/or water.
9. Control via transmitter
 - Check whether the valves are activated by the transmitter signal.
—> Compressed air discharge by the spray head.
 - Submerge the spray head under water and set the air volume to the required flow rate.
The air throughput can be regulated using a reducing valve.

EasyClean 150

1. Connect the hoses to the EasyClean as described in section 3.3 «Integration into a measurement system».
2. For the correct way to connect to the retractable housing, please refer to the corresponding manual. Please note that no position indicator can be connected to the EasyClean 150. However, to monitor its function it is possible to use pneumatic check-back position indicators, which indicate the position of the sensor.
3. Check before commissioning:
 - Are compressed air and rinsing water correctly connected?
 - Are all hose connections carefully (not bent!) secured?
4. First commissioning of the EasyClean 150
 - Connect the EasyClean to the power supply.
 - Open the main tap (if available) for compressed air and water.
 - Extend/retract the housing using the «**IN/OUT**» push button.
 - In extended position (maintenance) the LED must not lit and the transmitter must be in «HOLD» mode.
 - Press the «**Water**» push button —> water valve opens.
 - Release the «**Water**» push button —> water flow stops.
 - Activate «**IN/OUT**» push button —> housing changes the position.
5. Control via transmitter
 - Activate the transmitter's washing contact (see transmitter manual).
 - Check whether the valves are activated by the transmitter signal.
—> The housing must move and the water valve must be opened at the same time.
 - The time interval for the washing contact is set on the transmitter (see transmitter manual).
 - When the time interval has expired, the water valve closes and the housing returns to the measurement position.

5 Operation

5.1 Checks by the operator

When switching the device on, every day and when a new shift starts, check whether a sufficient supply of: **compressed air, rinsing water** and **electrical power** is guaranteed, and that the **housing is functioning smoothly**. For any kind of maintenance work on the housing, please refer to the relevant manual.

5.2 Operating the EasyClean 100

The EasyClean 100 has no actuators. Its function can only be tested via the transmitter's wash contact.

If its function can no longer be guaranteed, please refer to section 6.2 «Fault elimination for the EasyClean 100».

5.3 Operating the EasyClean 150



1. **«IN/OUT» push button**
housing movement (retract, extend)
2. **«Water» push button**
opens the water valve (only active as long as the button is pressed).
3. **Operational status indicator (LED)**
LED is lit when the housing is in the measuring position.

Operating the EasyClean 150

1. The housing can be moved using the «IN/OUT» button.
2. If the housing is in maintenance position (out of process), the LED indicator is not lit. The LED indicator only shows the position of the push button for the housing position. No direct testing of the housing position or function is possible. If the LED indicator is not lit, the transmitter is in «HOLD» mode.
3. Rinsing with water can only be activated manually in the maintenance position. This cycle runs for as long as the button is pressed down. No timer is activated.

5.4 Procedure in the event of a failure in the power supply

EasyClean 100

Failure in the power supply

In the event of a power failure, all functions of the EasyClean 100 cut out, with no impact on the reading. The EasyClean 100 is inactive. This means:

- The electrode continues to measure. If the transmitter is still being powered, the measurement results can be used.
- The rinse function is closed. It is no longer possible to rinse the electrode.



NOTE

When the power supply is reconnected the system is automatically returned to the state specified by the transmitter.

EasyClean 150

Failure in the power supply

EasyClean valves are de-energized in the following positions.

- Water valve: closed
- Air valve: the housing or sensor moves out of the process and the transmitter goes into «HOLD» mode.



NOTE

If the EasyClean 150 is provided with power once more, the housing always moves into the measuring position.

Failure in the compressed air supply

In the event of a loss of compressed air the sensor remains in its last position.



NOTE

If the housing is in the process, it can be pushed into the maintenance position by means of back pressure. In this case the transmitter continues to measure. As there is no indication of the position of the housing, the EasyClean 150 does not recognize the position of the housing. A loss of compressed air does not, however, have any effect on the measurement.

6 Maintenance and fault elimination

If you have any questions about faults or repairs, please contact your local METTLER TOLEDO customer service. The addresses may be found at the end of this instruction manual.

6.1 Maintenance

The EasyClean 100/150 is very service reduced.

To remove dust, dirt and stains, the external surfaces of the device can be wiped with a soft, damp cloth. If necessary a mild detergent can also be used.



CAUTION

The housing may **not be cleaned with any solvent containing acetone.**

For further cleaning (e.g. blowing out the housing), you may use filtered compressed air that is free of oil and water (pressure < 6 bar / 87 psi).



CAUTION

The inside of the housing may **not be cleaned using a liquid or a damp cloth.**

The spray head is made of PVC or PVDF. You may use diluted acids or alkalis to remove dirt.

6.2 Fault elimination and repairs



DANGER

Please refer to Chapter 2 «Safety»!

Repair work may only be performed by specialists. Before the device is opened, it must be disconnected from the power supply!

EasyClean 100

Failure	Cause	Remedy
No air generated in the InDip housing	Compressed air not switched on. Air pressure too low. Compressed air valve not opening. Air hoses incorrectly fitted (crimped) or defective. Spray head blocked.	Switch on compressed air. Increase pressure. Clean valve. Check hoses for leaks, bends or any kinks. Clean the spray head.
Insufficient cleaning by the electrode	Insufficient air flow. Rinse interval too long and/or rinse times too short. Openings on the spray head are blocked. Air does not reach the electrode.	Increase the flow or clean the hoses and spray head. Shorten the interval on the transmitter, increase rinse times. Remove and clean the spray head. Decrease the distance between the spray head and the electrode tip. Place the InDip housing somewhere with less flow. Increase pressure.
Rinsing does not start (auto and/or manual)	The rinse interval from the transmitter is not recognized by the device. The valve is not receiving any power.	Check the cabling with reference to the circuit diagram. Check the power supply.

EasyClean 150

Failure	Cause	Remedy
The InTrac housing does not move. The sensor does not move out of or into the process	Compressed air not switched on. Air pressure too low. Compressed air valve not opening. Air hoses incorrectly fitted or defective.	Switch on compressed air. Increase pressure (see specifications). Clean valve. Check hoses for leaks, bends or any kinks.
The InTrac housing moves out of the process independently	Compressed air pressure < process pressure. Sudden loss of pressure.	Increase air pressure (see specifications). Check connections and hoses for leaks.
Insufficient rinsing of the electrode	Water flow insufficient. Rinse interval too long. Rinse times too short. Rinsing chamber blocked.	Increase the flow. Shorten the interval on the transmitter. Increase rinse times. Remove and clean the housing.
LED does not light	LED defective / device working normally.	No effect on functionality.
Transmitter does not go into HOLD mode	Hold relay defective. Connections for the transmitter are loose or incorrectly connected.	Contact specialist. Check connections and if necessary re-install.
Rinsing cannot be activated	Housing is in measuring position. Rinse button defective. Water valve defective. No water flow.	Rinsing in measuring position not possible. Check cable. Contact supplier. Clean water valve or replace if necessary. Check the lead to the EasyClean 150.
Rinsing does not start (auto and/or manual)	The rinse interval from the transmitter is not recognized by the device. The valve is not receiving any power.	Check the cabling with reference to the circuit diagram. Check the power supply.

7 **Decommissioning, storage, disposal**



DANGER

Please refer to chapter 2 «Safety».

Decommissioning may only be performed by trained staff or specialists.

7.1 **Decommissioning**

Procedure

1. Switch off the power supply, the compressed air supply and the water supply to the device.
2. Disconnect the device from the main unit.
3. Disconnect any signal leads used.
4. Disconnect leads for compressed air.
5. Remove the EasyClean from its mounting.
6. Rinse the hoses and valves with fresh water.
7. Clean the device with a damp cloth.
8. Allow the device to dry.

7.2 **Storage**

Store the EasyClean in a dry place, as described in section 1.3.

7.3 **Environmental protection**



Waste electrical products should not be disposed of with household waste. Please recycle where facilities exist. Check with your Local Authority or retailer for recycling advice.

8 Spare parts and accessories

When ordering spare parts, please state the following details:

- article number of the device
- serial number of the device
- ordering number from the following list of spare parts
- quantity required.

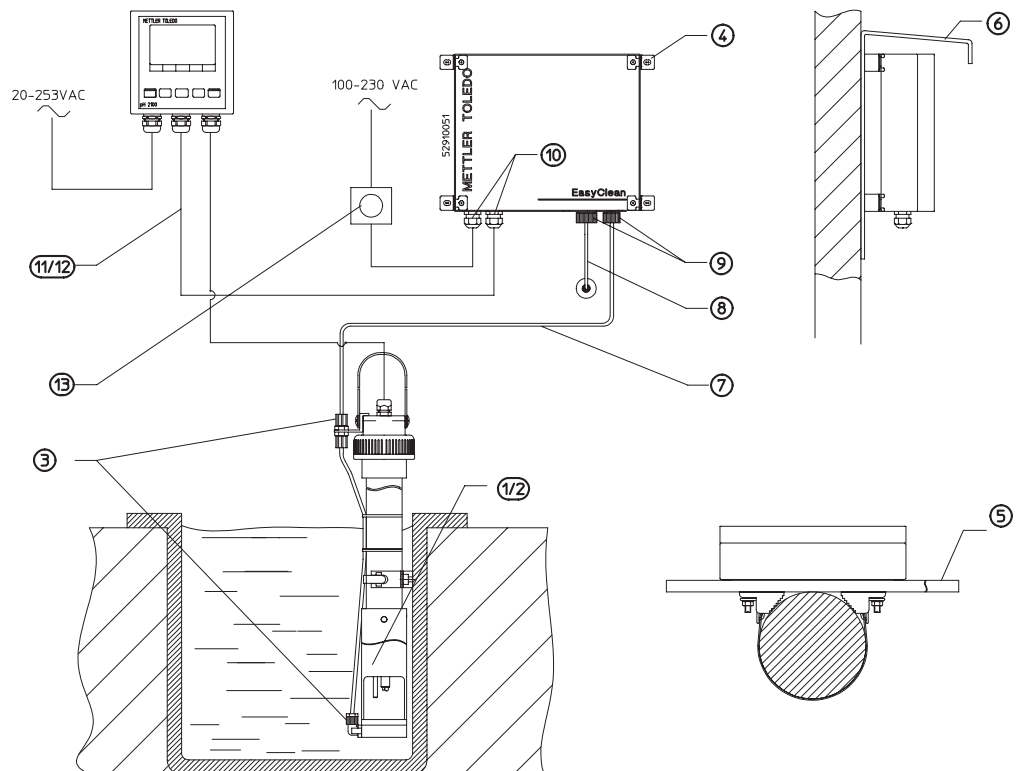
The addresses of manufacturers and customer services may be found at the end of this instruction manual.

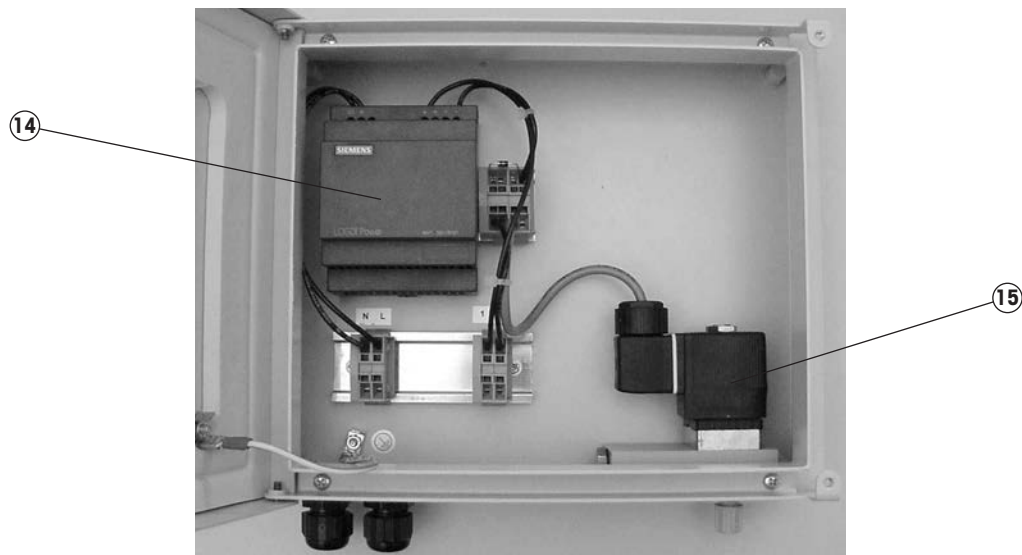


NOTE

Spare parts must correspond to the technical requirements of the manufacturer of the device!
Only use original spare parts.

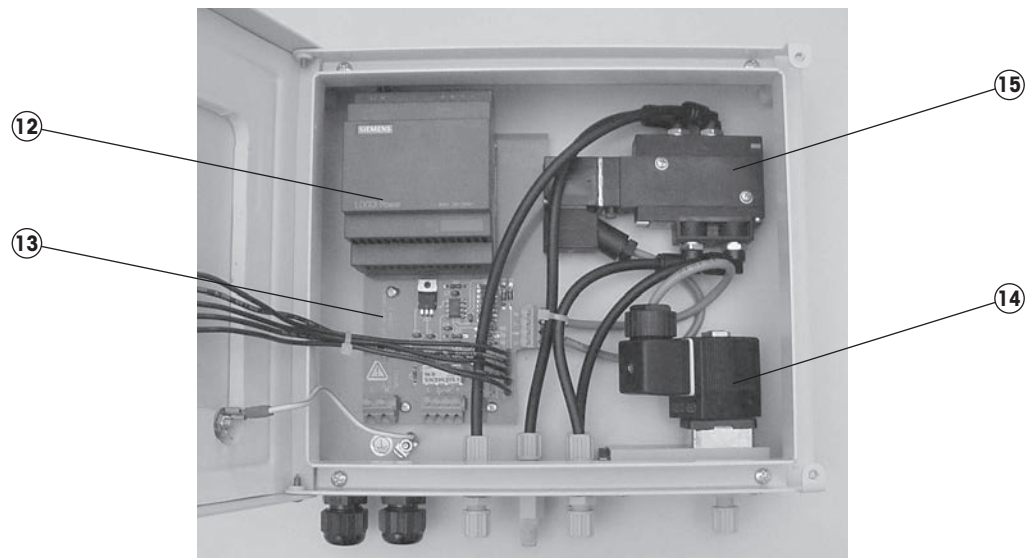
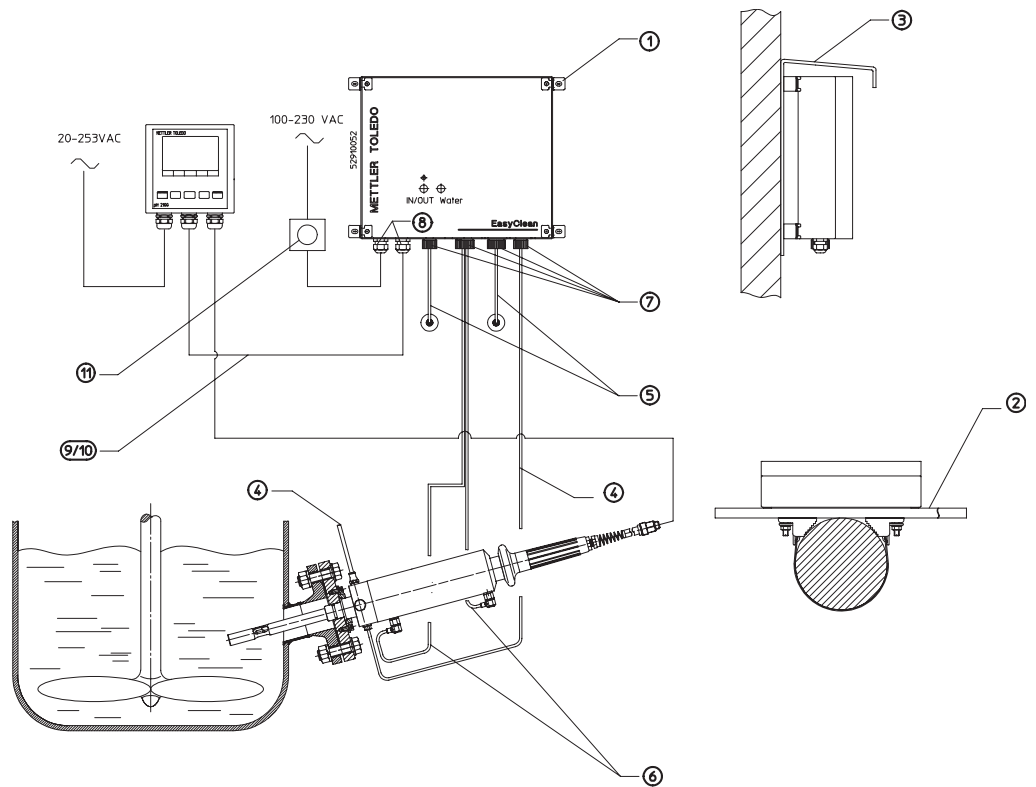
8.1 List of spare parts and accessories EasyClean 100





Pos.	Art. no.	Description
1	52 402 291	Spray head for InDip 550 / PVC
2	52 402 290	Spray head for InDip 550 / PVDF
3	52 402 370	Fitting set for spray head
4	52 402 306	Wall mounting kit, complete
5	52 402 308	Mast mounting kit, complete
6	52 402316	Weatherproof hood
7	52 402 283	Tubing PTFE Ø 6/4 mm, 5 m / 15 ft.
8	52 402 314	Hose LDPE Ø 6/4 mm / 20 m, for compressed air connection
9	52 402 337	Fittingset pneum./hydr.
10	52 402 336	Grommet set for cable
11	52 300 265	Connecting cable: control unit > transmitter (5 m)
12	52 300 266	Connecting cable: control unit > transmitter (10 m)
13	52 402 317	Panic button (emergency shutdown)
14	52 402 305	Power unit
15	52 402 309	Water valve
	52 500 178	Instruction manual EasyClean 100/150

8.2 List of spare parts and accessories EasyClean 150



Pos.	Art. no.	Description
1	52 402 306	Wall mounting kit, complete
2	52 402 308	Mast mounting kit, complete
3	52 402316	Weatherproof hood
4	52 402 283	Tubing PTFE Ø 6/4 mm, 5 m / 15 ft.
5	52 402 314	Hose LDPE Ø 6/4 mm / 20 m, for compressed air connection
6	52 401 322	Pneumatics hose PU Ø 6/4 mm, 10 m
7	52 402 337	Fittingset pneum./hydr.
8	52 402 336	Grommet set for cable
9	52 300 265	Connecting cable: control unit > transmitter (5 m)
10	52 300 266	Connecting cable: control unit > transmitter (10 m)
11	52 402 317	Panic button (emergency shutdown)
12	52 402 305	Power unit
13	52 402 338	Print EasyClean 150
14	52 402 309	Water valve
15	52 402 320	Compressed air valve
	52 500 178	Instruction manual EasyClean 100/150 (de/en/fr)

EasyClean 100

EasyClean 150

Bedienungsanleitung

© Die Vervielfältigung dieser Bedienungsanleitung als Ganzes oder teilweise ist strengstens untersagt. Ohne ausdrückliche schriftliche Genehmigung von Mettler-Toledo GmbH, Process Analytics, CH-8902 Urdorf, Schweiz, dürfen Teile dieses Handbuchs unter Verwendung elektronischer Systeme weder verändert, vervielfältigt noch verbreitet werden. Dies gilt vor allem für Fotokopien, Fotografien, Magnetträger oder andere Aufzeichnungen.

Alle Rechte vorbehalten, insbesondere Reproduktion, Übersetzung und Patentanmeldung/Registrierung.

InTrac and InDip sind Markenzeichen des METTLER TOLEDO Konzerns.
Alle anderen Markenzeichen sind Eigentum ihrer jeweiligen Inhaber.

Verwendung dieser Betriebsanleitung

Diese Betriebsanleitung ist integrierender Bestandteil von EasyClean 100 und EasyClean 150 und enthält wichtige Hinweise und Instruktionen für Sicherheit und Betrieb.

Alle Personen, die an und mit EasyClean 100 und/oder EasyClean 150 Arbeiten ausführen, müssen vorgängig die für ihre Tätigkeit relevanten Kapitel gelesen und verstanden haben.

Lesen Sie diese Betriebsanleitung vor Gebrauch des EasyClean-Systems sorgfältig durch. Bewahren Sie dieses Dokument in unmittelbarer Umgebung des Gerätes auf, um ein späteres Nachschlagen durch das Bedienungspersonal jederzeit zu ermöglichen.



Lesen Sie zuerst das Kapitel 2 «Sicherheit»!

Inhaltsverzeichnis

1	Produktbeschreibung	41
1.1	Einleitung	41
1.2	Ausstattung und Lieferumfang	41
1.3	Daten und Kenngrößen EasyClean 100/150	42
2	Sicherheit	44
2.1	Einleitung	44
2.2	Bestimmungsgemässe Verwendung	44
2.3	Nicht bestimmungsgemässe Verwendung	44
2.4	Grundsätze	45
2.5	Warnhinweise und Symbole	45
2.6	Verantwortlichkeiten, Organisatorische Massnahmen	46
2.7	Produktspezifische Gefahren	47
2.8	Restgefahren	47
2.9	Massnahmen im Notfall	47
2.10	Sicherheitsmassnahmen	48
2.11	Modifikationen	48
3	Ihr Gerät	49
3.1	Aufbau	49
3.2	Funktionen	50
3.3	Integration in ein Messsystem	51
4	Inbetriebnahme	52
4.1	Montage	52
4.2	Anschlüsse	54
4.3	Installation und Inbetriebnahme	58
5	Bedienung	60
5.1	Kontrollen durch den Bediener	60
5.2	Bedienung EasyClean 100	60
5.3	Bedienung EasyClean 150	60
5.4	Verhalten bei Ausfall der Energieversorgung	61
6	Wartung und Störungsbehebung	62
6.1	Wartung	62
6.2	Störungsbehebung und Instandsetzung	63
7	Ausserbetriebsetzung, Lagerung, Entsorgung	65
7.1	Ausserbetriebsetzung	65
7.2	Lagerung	65
7.3	Umweltschutz	65
8	Ersatzteile und Zubehör	66
8.1	Ersatzteilliste und Zubehör für EasyClean 100	66
8.2	Ersatzteilliste und Zubehör für EasyClean 150	68

1 Produktbeschreibung

1.1 Einleitung

Konformität

EasyClean 100 und EasyClean 150 entsprechen folgenden Bestimmungen:

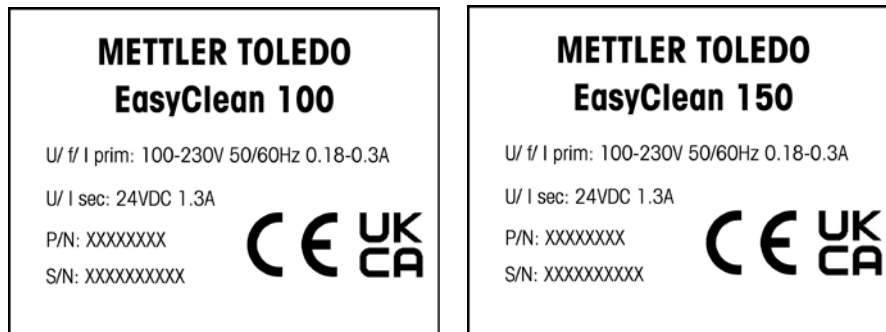
- Niederspannungsrichtlinien:
 - EU Richtlinien 73/23/EG
 - Schweizer Richtlinie SR734.26NEV
 - Sicherheitsbestimmungen EN61010-1
 - IP-Schutzgrad EN60529 IP65
- EMV-Richtlinien:
 - Emission EN61326-1, Klasse B
 - Oberschwingungen EN61000-3-2
 - Spannungsschwankungen EN61000-3-3
 - Immunität EN61326-1

Zertifikate

CE, GS

Kennzeichnung

Das Typenschild befindet sich auf der linken Aussenseite der Geräte.



1.2 Ausstattung und Lieferumfang

Lieferumfang

EasyClean-Geräte werden ohne Anschlusskabel geliefert. Die bauseitigen Anschlusskabel werden an den dafür bestimmten Klemmen im Gerät angeschlossen (beachten Sie dazu **Abschnitt 4.2 «Anschlüsse»**).

Verpackung

Die Verpackung besteht aus Karton und Kartonpolsterung.

Bewahren Sie die Verpackung, für eine spätere Lagerung oder einen Transport des Geräts, auf. Falls Sie die Verpackung jedoch entsorgen wollen, beachten Sie die lokalen Vorschriften sowie **Abschnitt 7.3 «Umweltschutz»**.

Kontrolle der Lieferung

Achten Sie beim Auspacken auf Beschädigungen. Falls Sie solche feststellen, melden Sie dies umgehend dem Transporteur und ihrem Lieferanten.

Überprüfen Sie die Lieferung anhand Ihrer Bestellung und der Lieferpapiere.

1.3 Daten und Kenngrößen EasyClean 100/150

Gehäuse	mit Polyesterharz pulverbeschichtetes Stahlgehäuse Material: Vergütungsstahl DIN 1.1203 Ck55 Achtung: darf nicht mit azetonhaltigen Lösungsmitteln gereinigt werden
Gewicht Steuergerät	ca. 3 kg (6.6 lb)
Schutzart	IP 65
Umgebungsbedingungen	Temp. Betrieb: 0 – 45 °C (+32 – +113 °F) Temp. Transport/Lagerung: –10 – +70 °C (+14 – +158 °F) Verschmutzungsgrad: 2 Überspannungskategorie: III
Spannungsversorgung	100 – 230 V AC, 50/60 Hz, 0.18 – 0.3 A (± 15%)
Systemsteuerung	Prozessauslösung: durch einen Waschkontakt des angeschlossenen Transmitters Ablauf: nicht im Gerät einstellbar
Steuereingänge	1 Steuereingang für Waschkontakt vom Transmitter, 24V
Transmitter	METTLER TOLEDO Transmitter: – pH 2050e, O ₂ 4050e, Cond 7050e – pH 2100e, O ₂ 4100e, CondI 7100e, Trb8300 – alternativ durch Transmitter mit Waschkontakt und «Hold»-Funktion
Anschlüsse	Anschlussklemmen 0.08 ... 2.5 mm ²
Verbindung zum Transmitter	4-adriges Steuerkabel, 1.5 mm ² Länge: 5 m (optional 10 m)
Kabeldurchführungen	∅ 3.5 – 10 mm => M 16
Druckluftversorgung	4 – 8 bar (400 – 800 kPa, 58 – 116 psi) – Luftqualität gemäss ISO 8573-1 – Luftfeuchte Klasse 4 (Wassertaupunkt +3° C) – Feststoffe Klasse 5 (Filter 40 µm) – max. Ölgehalt Klasse 2 (0.1 mg/m ³) Anschluss: Gewinde G ¹ / ₈ "

Verbindung zu InDip-Armatur	Schlauch LDPE Ø 6/4 mm (1/8" / 1/4") optional: Schlauch PTFE Ø 6/4 mm (1/8" / 1/4")
Verbindung zu Wechselarmatur	Schlauch LDPE Ø 6/4 mm (1/8" / 1/4") optional: Schlauch PTFE Ø 6/4 mm (1/8" / 1/4")
Versorgung Spülwasser	Druck: 2 – 6 bar (200 – 600 kPa, 29 – 87 psi) Anschluss: Innengewinde G1/4" Adapter: 1/4" NPT Aussengewinde (PP)
Sprühkopfmaterial	PVC, PVDF
Materialien in Berührung mit Spülwasser oder Druckluft	PP, LDPE, Viton™, Messing, rostfreier Stahl DIN 1.4105, 1.4303, 1.4310
Medien in Verbindung mit LDPE-Schlauch	Wasser 0 – 60 °C (32 °F – 140 °F)
Medien in Verbindung mit PTFE-Schlauch	Wasser 0 – 90 °C (32 °F – 194 °F)

Technische Änderungen vorbehalten

2 Sicherheit

2.1 Einleitung

Die Betriebsanleitung enthält die wichtigsten Angaben, um EasyClean 100/150 und den Sprühkopf effizient und bestimmungsgemäss zu nutzen. Grundvoraussetzung für den sicherheitsgerechten Umgang und den störungsfreien Betrieb ist die Kenntnis dieser Sicherheitsvorschriften und die Beachtung der weiteren Warnhinweise in der Betriebsanleitung.

Diese Betriebsanleitung, insbesondere die Sicherheitsvorschriften, sind vom Betreiber und allen Personen zu beachten, die mit EasyClean 100/150 oder dem Sprühkopf arbeiten. Darüber hinaus sind die für den Einsatzort geltenden Regeln und gesetzlichen Vorschriften zu beachten.

Die Betriebsanleitung muss ständig griffbereit aufbewahrt werden und für jede Person, die mit EasyClean 100/150 oder dem Sprühkopf arbeitet, zugänglich sein.

2.2 Bestimmungsgemässe Verwendung

EasyClean 100/150 und der Sprühkopf sind ausschliesslich für Spülen und Reinigen von Sensoren bestimmt und wie in dieser Betriebsanleitung beschrieben einsetzbar.

Zur bestimmungsgemässen Verwendung gehören zudem:

- Die Beachtung der Anweisungen, Vorschriften und Hinweise in der vorliegenden Betriebsanleitung.
- Die korrekte Instandhaltung und Pflege des Gerätes gemäss dieser Betriebsanleitung.
- Der Betrieb unter der Beachtung der vorgeschriebenen Umwelt- und Betriebsbedingungen und den zulässigen Einbaulagen.
- Die Einhaltung der örtlichen Gesetzgebung

2.3 Nicht bestimmungsgemässe Verwendung

Jede andere als die oben erwähnte Verwendung sowie jede Anwendung, die nicht den technischen Daten entspricht, gilt als nicht bestimmungsgemäss. Für allfällige Schäden, die auf eine solche Verwendung zurückzuführen sind, trägt der Betreiber das alleinige Risiko.

Insbesondere folgende Anwendungen sind unzulässig:

- Verwendung von Hydraulikflüssigkeiten anstelle von Druckluft
- Verwendung von Suspensionen und Lösungsmittel als Reinigungsmittel

2.4 Grundsätze

EasyClean 100/150 und der Sprühkopf sind nach dem Stand der Technik und den anerkannten sicherheitstechnischen Regeln gebaut.

Dennoch können von dem Gerät Risiken und Gefahren ausgehen:

- wenn das Gerät von ungenügend ausgebildeten Personen bedient wird.
- wenn das Gerät nicht bestimmungsgemäss verwendet wird.

EasyClean 100/150 und der Sprühkopf dürfen nur in technisch einwandfreiem Zustand sowie bestimmungsgemäss, sicherheits- und gefahrenbewusst unter Beachtung der Betriebsanleitung benutzt werden.

Störungen oder Beschädigungen, die die Sicherheit und Funktion beeinträchtigen, sind umgehend durch den Betreiber oder einer Fachperson zu beseitigen und dem Hersteller schriftlich zu melden!

2.5 Warnhinweise und Symbole

In dieser Betriebsanleitung werden folgende Symbole zur Kennzeichnung von Sicherheitshinweisen benutzt:



GEFAHR!

Warnung vor einer Gefahr, die zu hohem Sachschaden, zum Tode oder zu schweren Körperverletzungen führen kann.



VORSICHT!

Warnung vor einer möglicherweise gefährlichen Situation, welche zu leichten Körperverletzungen und/oder Sachschäden führen kann.



HINWEIS!

Information, die auf technische Erfordernisse hinweist. Nichtbefolgung kann zu Störungen, Unwirtschaftlichkeit und evtl. zu Produktionsverlusten führen.

2.6 Verantwortlichkeiten, Organisatorische Massnahmen

Verpflichtung des Betreibers

- Der Betreiber verpflichtet sich, nur Personen an EasyClean arbeiten zu lassen, die mit den grundlegenden Vorschriften über Arbeitssicherheit und Unfallverhütung vertraut und in die Handhabung des Geräts eingewiesen sind. Die vorliegende Bedienungsanleitung gilt hierfür als Grundlage.
- Ergänzend zur Betriebsanleitung sind allgemeingültige gesetzliche und sonstige verbindliche Regelungen zur Arbeitssicherheit und Unfallverhütung sowie zum Umweltschutz durch den Betreiber bereitzustellen und zu instruieren.
- Sicherheits- und gefahrenbewusstes Arbeiten des Personals ist in regelmässigen Abständen zu überprüfen.
- Massnahmen sind zu treffen, damit EasyClean nur in sicherem, funktionsfähigem Zustand betrieben wird.

Verpflichtung des Personals

- Alle Personen, die mit Arbeiten an EasyClean beauftragt sind, verpflichten sich, das Kapitel Sicherheitsvorschriften und die Warnhinweise in dieser Betriebsanleitung zu lesen.
- Ergänzend zur Betriebsanleitung sind allgemeingültige gesetzliche und sonstige verbindliche Regelungen zur Arbeitssicherheit und Unfallverhütung zu beachten.
- Jede sicherheitsbedenkliche Arbeitsweise welche die bestimmungsgemässe Verwendung des Gerätes überschreitet, ist zu unterlassen.

Personalauswahl und -qualifikation– grundsätzliche Pflichten

- Arbeiten an EasyClean dürfen nur von zuverlässigem, geschultem oder unterwiesenem Personal durchgeführt werden. Das Bedienungspersonal muss das diese Betriebsanleitung vorgängig gelesen haben.
- Zuständigkeiten des Personals für das Bedienen, Warten, Instandsetzen etc. sind klar festzulegen.
- Es ist sicherzustellen, dass nur dazu beauftragtes Personal am Gerät tätig wird.
- Zu schulendes, anzuweisendes oder im Rahmen einer allgemeinen Ausbildung befindliches Personal darf nur unter ständiger Aufsicht einer erfahrenen Person am Gerät tätig werden.
- Arbeiten an der elektrischen Ausrüstung des Geräts dürfen nur von einer Elektrofachkraft gemäss den elektrotechnischen Regeln vorgenommen werden.

Bauliche Veränderungen am Gerät

- Es dürfen keine Veränderungen, An- und Umbauten am Gerät, die die Sicherheit beeinträchtigen, ohne schriftliche Genehmigung von Mettler-Toledo GmbH, Prozess Analytik vorgenommen werden.
- Teile in nicht einwandfreiem Zustand sind sofort auszutauschen.

2.7 Produktspezifische Gefahren

Gefährdung durch elektrische Energie!



Wenn das Gerät für die Durchführung von Installations- und Reparaturarbeiten geöffnet wird, werden spannungsführende Teile freigelegt.

Schliessen Sie das Gerät nach Durchführung der Arbeiten sofort wieder!

Gefährdung durch Druckluft/Wasser!



Zu öffnende Druckleitungen (Druckluft, Spülwasser) vor Beginn von Reparaturarbeiten absperren und drucklos machen!

2.8 Restgefahren



Trotz aller getroffenen Vorkehrungen bestehen Restgefahren wie z.B.:

- Bersten einer Leitung.
- Gefährdung durch Störung an einer übergeordneten Steuerung.

2.9 Massnahmen im Notfall



Falls Flüssigkeit in die Augen gelangt, sofort unter fliessendem Wasser mindestens 15 Minuten abspülen. Anschliessend muss ein Arzt zur Kontrolle aufgesucht werden.

Flüssigkeit auf der Haut sofort mit Wasser abwaschen.

Ärztliche Hilfe ist immer erforderlich bei Symptomen, die offensichtlich durch die Einwirkung eines Kontaktes mit einem Medium auf Haut oder Augen zurückzuführen sind. Informieren Sie den Arzt über Art und Kennzeichnung aller verwendeten Stoffe.

2.10 Sicherheitsmassnahmen

Die lokalen Gesetze und Vorschriften müssen immer beachtet werden. Sie sind nicht Bestandteil dieser Betriebsanleitung.

Das Tragen von persönlicher Schutzausrüstung wie Schutzbrille und Schutzkleidung ist grundsätzlich erforderlich.

Das Gerät darf nur in geschlossenem Zustand betrieben werden.

Der Betreiber ist für die Instruktion des Personals verantwortlich. Dazu kann diese Betriebsanleitung auch in weiteren Sprachen nachbestellt werden. Diese Betriebsanleitung muss als Bestandteil des Gerätes jederzeit dem Bedienungspersonal am Einsatzort des Gerätes zur Verfügung stehen.

Der Betreiber informiert den Hersteller umgehend über alle sicherheitsrelevanten Vorkommnisse, die sich bei der Verwendung des Gerätes ereignen.

2.11 Modifikationen

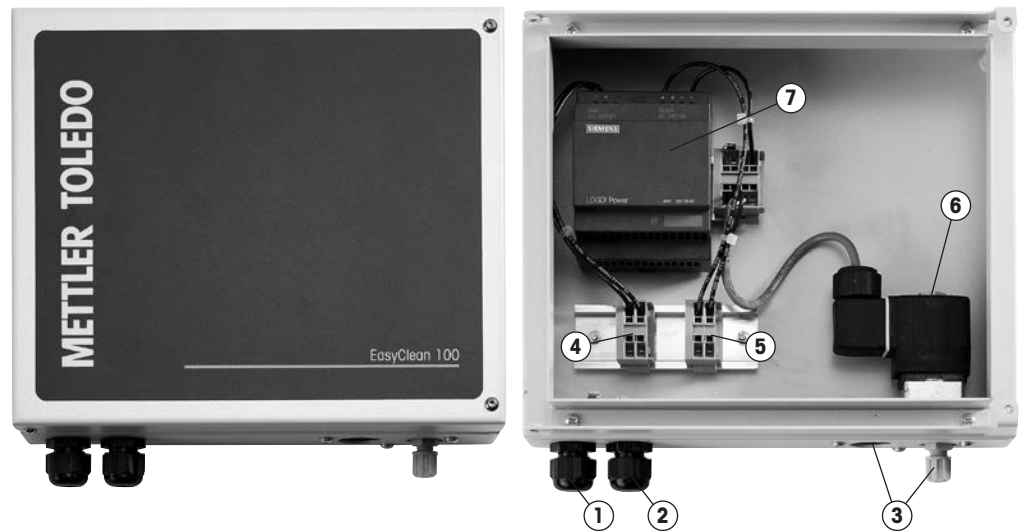
Modifikationen sind nur nach Rücksprache und schriftlicher Genehmigung des Herstellers gestattet.

Es dürfen nur die zur Erfüllung der Funktion bestimmten Teile des Gerätes ein- und ausgebaut werden. Dies ist von Hand oder mit den mitgelieferten Werkzeugen möglich. Entfernen von Schutzvorrichtungen und Abdeckungen unter Zuhilfenahme von handelsüblichen Werkzeugen ist – ausser von autorisiertem Instandsetzungspersonal – verboten. Bei Berührung spannungsführender Teilen besteht Lebensgefahr.

3 Ihr Gerät

3.1 Aufbau

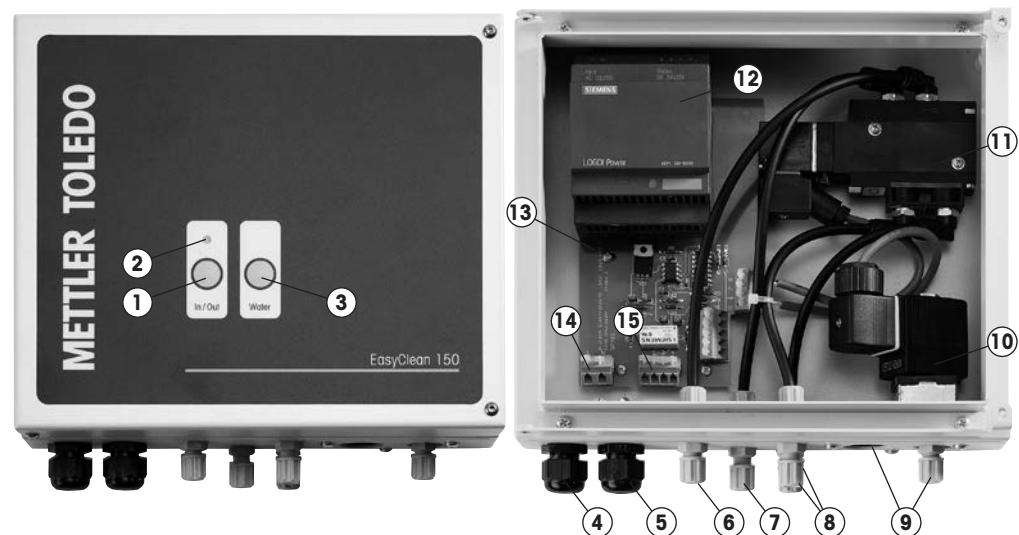
EasyClean 100



- 1 Netzanschluss
- 2 Steuerkabelanschluss
- 3 Druckluft- / Wasseranschluss
- 4 Klemme Netzanschluss

- 5 Klemme Steuerkabelanschluss
- 6 Druckluft- / Wasserventil
- 7 Netzteil

EasyClean 150



- 1 Drucktaste «In/Out» (Armatursteuerung)
- 2 Meldeleuchte
- 3 Drucktaste «Water» (Wasser)
- 4 Netzanschluss
- 5 Steuerkabelanschluss
- 6 Druckluftanschluss
- 7 Abluftanschluss
- 8 Druckluftausgänge Armatur

- 9 Wasseranschluss
- 10 Wasserventil
- 11 Druckluftventil
- 12 Netzteil
- 13 Steuerprint
- 14 Klemme Netzanschluss
- 15 Klemme Steuerkabelanschluss

3.2 Funktionen

Allgemeines

Das EasyClean 100/150 steuert die Zufuhr von Druckluft resp. Wasser zu einer Elektrodenspitze, welche in einer InDip-Armatur (EasyClean 100) oder in einer Wechselarmatur (EasyClean 150) eingebaut ist. Der Ablauf wird durch den Waschkontakt des Transmitters ausgelöst und wieder gestoppt

Betriebsarten

Der Transmitter übernimmt die gesamte Steuerung des Gerätes.

Grundstellung

Die Ventile sind stromlos geschlossen.

Die InTrac-Armatur bleibt bei Druckausfall in der letzten Position stehen. Bei Stromausfall im EasyClean 150 fährt der Sensor aus dem Prozess aus und der Transmitter geht in den «Hold-Modus» (Messwert wird eingefroren).

Bei Stromausfall entfallen alle Funktionen des EasyClean 100 ohne Einfluss auf die Messung.

Hold-Funktion

Für die genaue Funktion und Einstellungen des Hold-Relais konsultieren Sie die Betriebsanleitung des jeweiligen Transmitters.

Meldeleuchten

EasyClean 100 ist mit keinen Meldeleuchten ausgestattet.

EasyClean 150 verfügt über eine Meldeleuchte (LED) welche in der Front eingebaut ist. Die Leuchte ist mit dem Steuerungsventil welches die Armaturenbewegung auslöst gekoppelt. Es zeigt also keine Fehlfunktionen der Armatur, sondern nur den Tasterzustand an (Automatikbetrieb oder in der ausgefahrenen «Service»-Position).

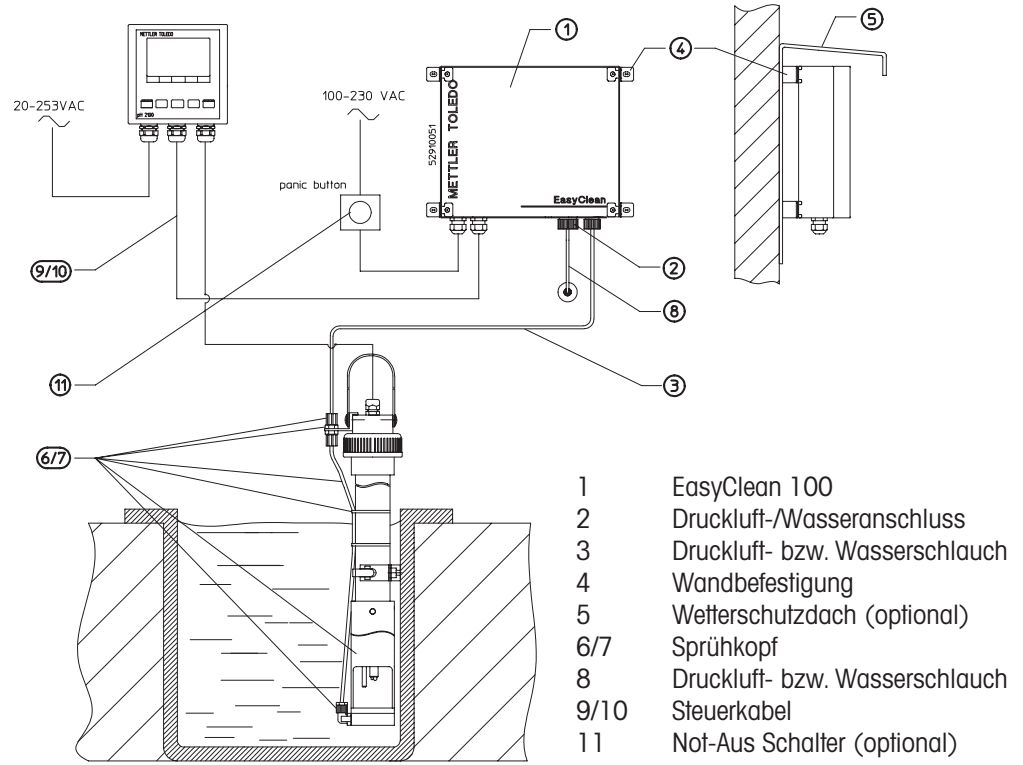
Programmablauf

Die Spül- resp. Waschzeit wird durch das Steuersignal (wash contact) des Transmitters vorgegeben. (siehe Betriebsanleitung des Transmitters).

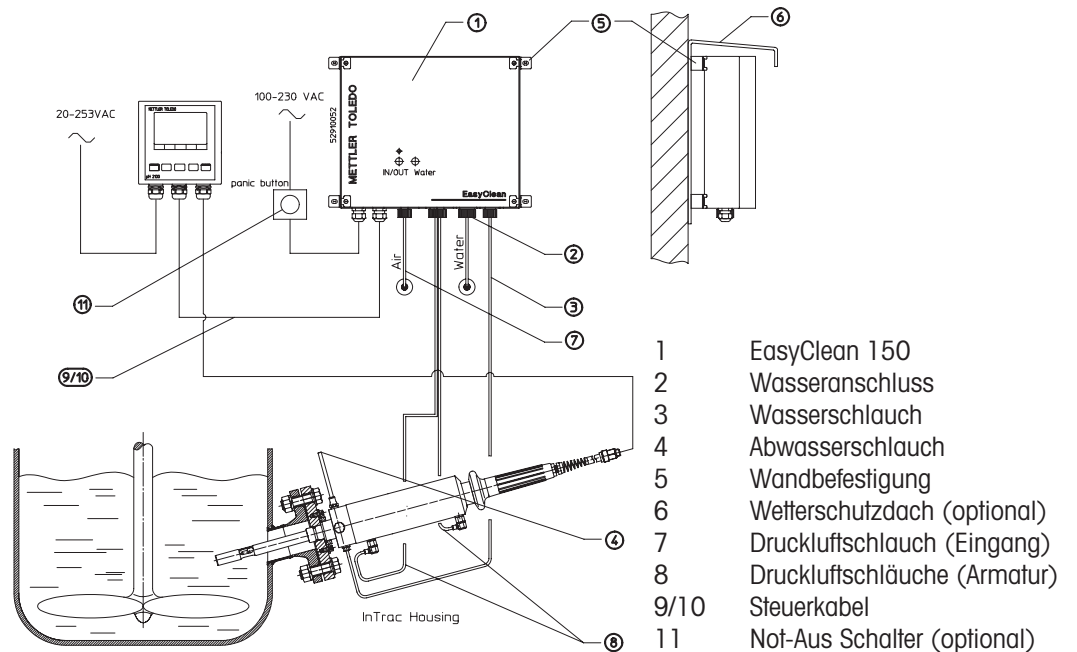
3.3 Integration in ein Messsystem

In den nachfolgenden Schemas ist ein typisches Beispiel für die Integration von EasyClean 100 bzw. EasyClean 150 in ein Messsystem dargestellt.

EasyClean 100



EasyClean 150



4 Inbetriebnahme



GEFAHR

Beachten Sie Kapitel 2 «Sicherheit».

Alle Arbeiten an elektrischen Komponenten des Systems dürfen nur durch autorisiertes Fachpersonal durchgeführt werden.



HINWEIS

Gehen Sie bei der Inbetriebnahme gemäss Abschnitt 4.3 «Checkliste für Installation und Inbetriebnahme» vor. Achten Sie auf die Verweise für weitergehende Informationen.

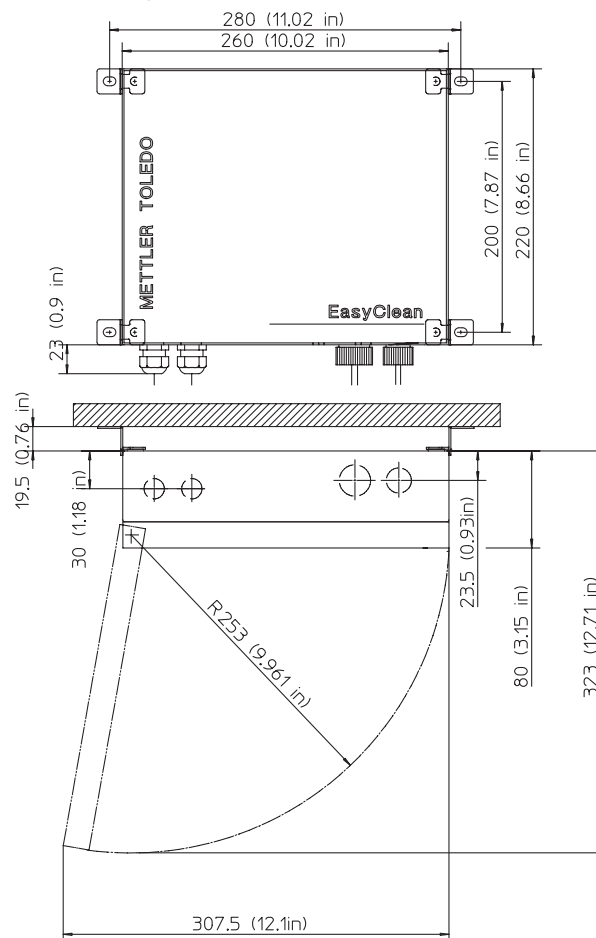
4.1 Montage

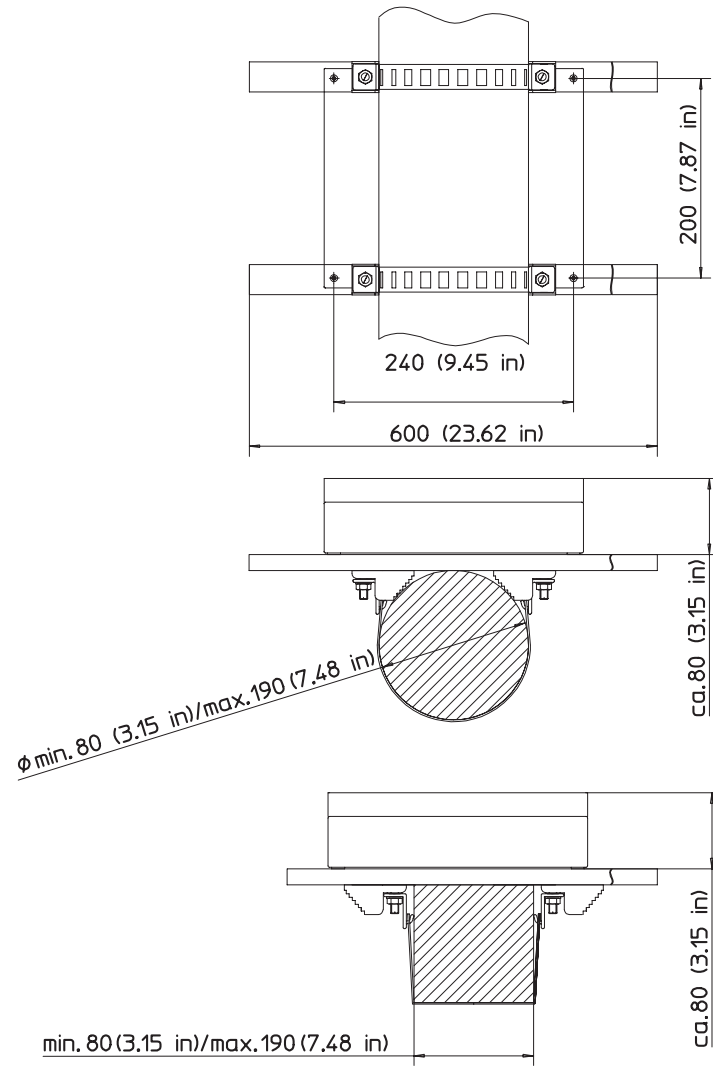
EasyClean 100 und 150 sind für direkte Montage (C-Schiene), Wand- oder Mastmontage vorgesehen. EasyClean 100 und EasyClean 150 sind im gleichen Gehäusetyp eingebaut und haben dem zu Folge die gleichen Abmessungen.

Der Montageplatz muss eine ausreichende Festigkeit haben und möglichst vibrationsfrei sein.

Achten Sie darauf, dass die Leitungslängen möglichst kurz sind.

Wandmontage



Mastmontage

Das genaue Vorgehen bei der Montage der Aufhängung entnehmen Sie der separat beigelegten Installationsanleitung.

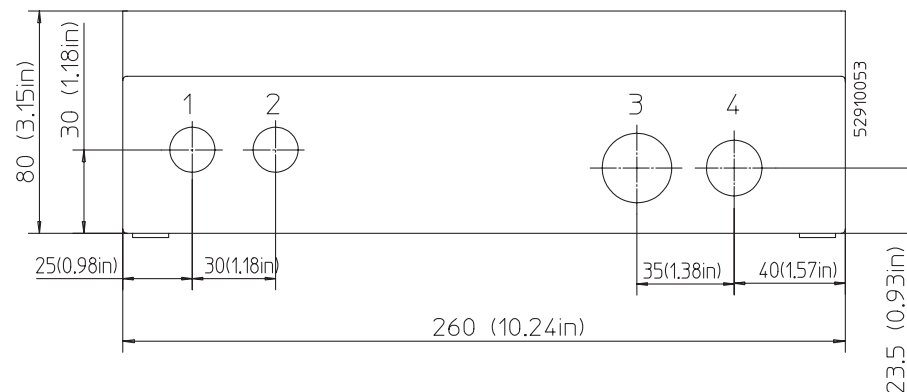
4.2 Anschlüsse



VORSICHT

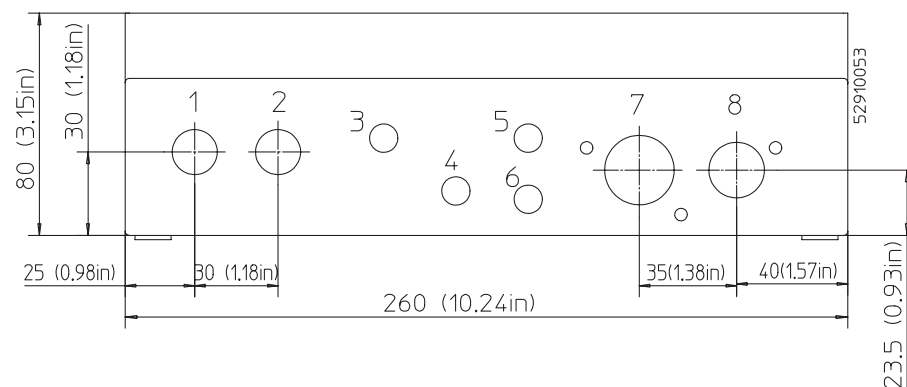
Kontrollieren Sie vor dem Anschliessen, dass die Anschlusswerte gemäss Abschnitt 1.3 «Daten und Kenngrössen» eingehalten sind.

Anschlüsse am Gehäuseboden EasyClean 100



1. Durchführung Netzkabel, M16
2. Durchführung Transmitterkabel, M16
3. Luft / Wasser Eingang G1/4" NPT, female
4. Ausgang zur InDip-Armatur (Schlauch \varnothing 6/4 mm)

Anschlüsse am Gehäuseboden EasyClean 150



1. Durchführung Netzkabel, M16
2. Durchführung Transmitterkabel, M16
3. Druckluffeingang (Schlauch \varnothing 6/4 mm)
4. Abluft
5. Druckluffausgang zur InTrac-Armatur \rightarrow Funktion: «Zurück»
6. Druckluffausgang zur InTrac-Armatur \rightarrow Funktion: «Vor»
7. Wassereingang G1/4", female,
8. Ausgang zur Armatur (Schlauch \varnothing 6/4 mm)

**HINWEIS**

Zweckmässigerweise wird für Wasser und Druckluft gebäudeseitig ein Absperrorgan in der Nähe des EasyClean 100 / 150 installiert. Dies erleichtert Wartungsarbeiten und erhöht die Arbeitssicherheit bei der Montage und Demontage des Gerätes.

Beachten Sie die örtlichen Vorschriften für Pneumatik- und Wasserinstallationen.

Anschlüsse an die Eintaucharmatur

Der Sprühkopf ist für die METTLER TOLEDO InDip 550 ausgelegt. Wird der Sprühkopf mit einer anderen Armatur benutzt, erfolgt das Betreiben und die Montage des Sprühkopfes auf die Gefahr des Betreibers.

Für die Installation an der Wechselarmatur konsultieren Sie die entsprechende Betriebsanleitung der Armatur.

Elektrische Anschlüsse

Die EasyClean 100 und 150 sind für die METTLER TOLEDO Transmitter wie in Abschnitt 1.3 beschrieben ausgelegt. Für die korrekte Installation an anderen Transmittern konsultieren Sie die jeweilige Anleitung.

**GEFAHR**

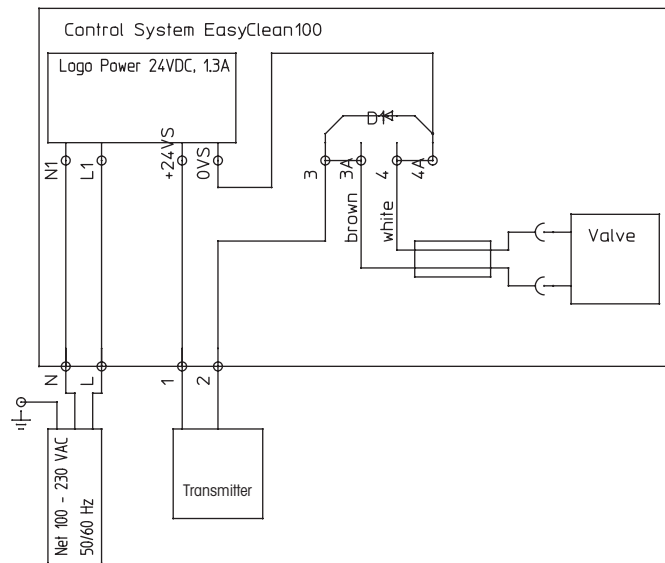
Der Netzanschluss darf nur durch autorisiertes Fachpersonal entsprechend den elektrotechnischen Regeln ausgeführt werden.

Für den gebäudeseitigen Netzanschluss beachten Sie auch die örtlichen Vorschriften.

**Hinweis**

Der Leitungsschutzschalter muss in der Gebäudeinstallation und in der Nähe des EasyClean-Gerätes montiert sein.

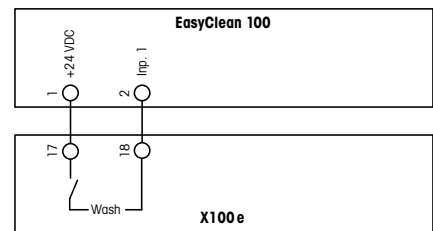
Elektrische Anschlüsse EasyClean 100 mit METTLER TOLEDO Transmittern



Elektrische Anschlüsse

Transmitter X100 e

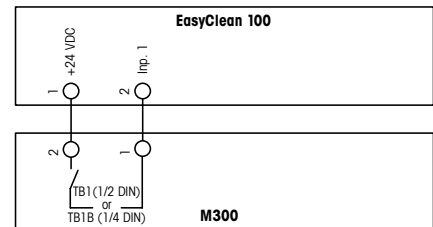
Spülintervall und Spülzeit gemäss Applikationsbedingungen am Transmitter X100 e einstellen.



Transmitter M300

Relais # 1 (Standardeinstellung) oder # 2, # 3, # 4 beim Transmitter auf Spülkontakt setzen.

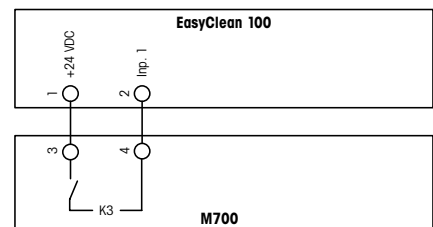
Spülintervall und Spülzeit gemäss Applikationsbedingungen am Transmitter M300 einstellen.



Transmitter M700

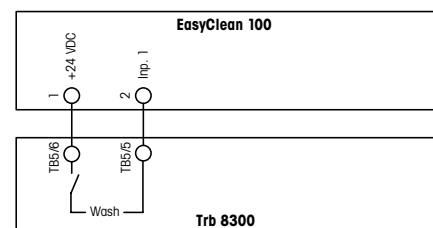
Relais K3 (K1 oder K2) auf Spülkontakt und NO (Arbeitskontakt) setzen.

Spülintervall und Spülzeit gemäss Applikationsbedingungen einstellen.

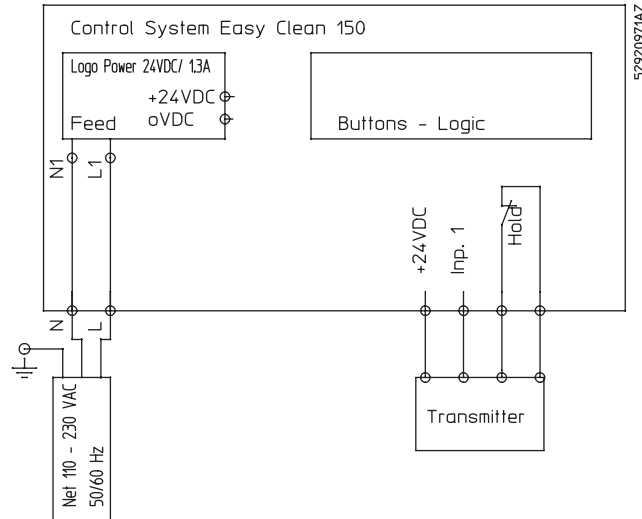


Transmitter Trb 8300

Spülintervall und Spülzeit gemäss Applikationsbedingungen am Transmitter Trb 8300 einstellen.



Elektrische Anschlüsse EasyClean 150 mit METTLER TOLEDO Transmittern



Elektrische Anschlüsse

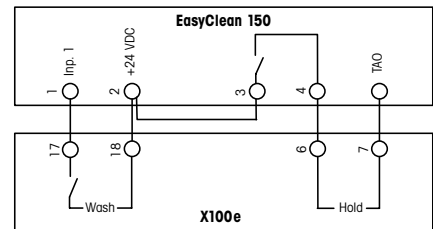
Transmitter X100 e



HINWEIS

Brücke setzen an Klemme 2 und 3 im EasyClean 150.

Spülintervall und Spülzeit gemäss Applikationsbedingungen am Transmitter X100 e einstellen.



Transmitter M300

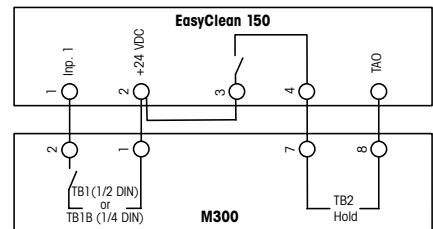


HINWEIS

Brücke setzen an Klemme 2 und 3 im EasyClean 150.

Relais # 1 (Standardeinstellung) oder # 2, # 3, # 4 beim Transmitter auf Spülkontakt setzen.

Spülintervall und Spülzeit gemäss Applikationsbedingungen am Transmitter M300 einstellen.



Transmitter M700

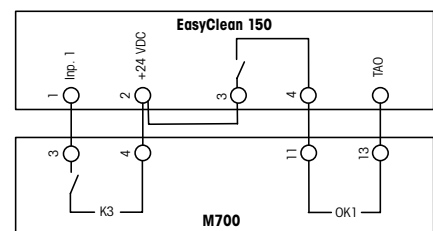


HINWEIS

Brücke setzen an Klemme 2 und 3 im EasyClean 150.

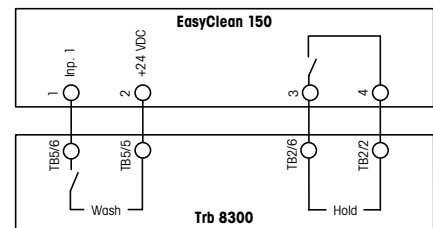
Relais K3 (K1 oder K2) auf Spülkontakt und NO (Arbeitskontakt) setzen. Spülintervall und Spülzeit gemäss Applikationsbedingungen einstellen.

Eingang OK1 auf HOLD setzen (aktiv 10...30 V).



Transmitter Trb 8300

Spülintervall und Spülzeit gemäss Applikationsbedingungen am Transmitter Trb 8300 einstellen.



EasyClean 100 und 150 sind für die METTLER TOLEDO Transmitter ausgelegt. Für die korrekte Installation an anderen Transmittern konsultieren Sie die jeweilige Anleitung.

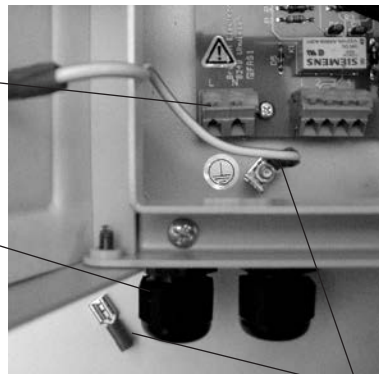
4.3 Installation und Inbetriebnahme

EasyClean 100

1. EasyClean an einer Wand oder an einem Mast montieren, so dass die Anschlüsse nach unten gerichtet sind.
2. Transmitter an das EasyClean-Gerät anschliessen (siehe Abschnitt 4.2 «Anschlüsse»).
3. Druckluft und Wasserversorgung gebäudeseitig anschliessen. Es ist dabei sicherzustellen, dass der Mediendruck den spezifizierten Gerätedruck nicht überschreitet (siehe Kapitel 1.3 «Daten und Kenngrössen»).
4. Schläuche an Ausgang Druckluft / Wasser anschliessen und entsprechend den Anleitungen der Armaturen installieren.
5. Netzkabel anschliessen.

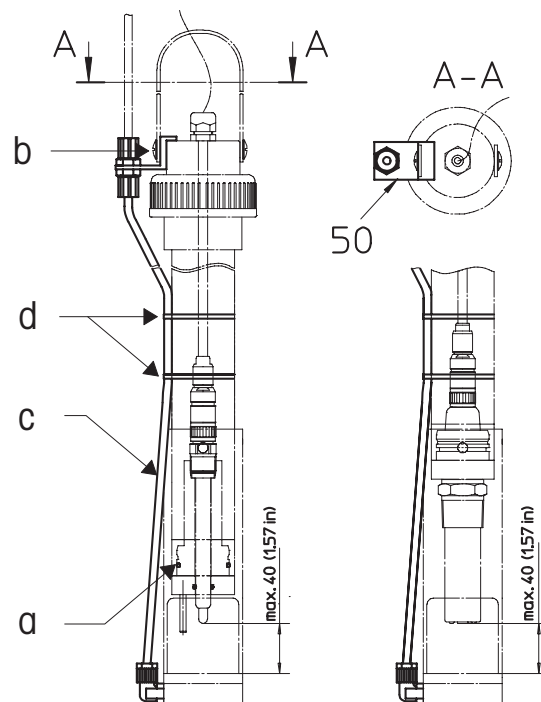
Kabelanschlüsse
N- und L-Leiter

Kabeldurchführung



Für Schutzleiteranschluss muss beigelegte Flachsteckhülse mit Doppelpressstelle verwendet werden.

6. Montage des Sprühkopfes für EasyClean 100:



- a Sprühkopf über das einzutauchende Ende der InDip-Armatur schieben. Die Distanz zwischen den Luftaustrittsöffnungen und der Elektrode sollte ca. 1 cm betragen.
- b Schlauchsystem wie folgt installieren: Eine Schraube an Halteband der InDip Armatur lösen, Winkelstück mit dieser Schraube am oberen Ende der Armatur festschrauben.
- c Schlauch zwischen Sprühkopf und Winkelstück wie folgt einsetzen:- Die Schlauchverschraubung zuerst lösen. Schlauch von Hand, ohne Zuhilfenahme von Werkzeugen in die Verschraubung schieben, Verschraubung festziehen.
- d Lösen Schlauch mit Kabelbinder am Rohr der InDip-Armatur befestigen.

7. Kontrollen vor Inbetriebsetzung:
 - Sind Druckluft und Spülwasser korrekt angeschlossen?
 - Sind alle Schlauchverbindungen sorgfältig (nicht geknickt!) verlegt?
8. Erstinbetriebsetzung EasyClean 100
 - EasyClean an Stromversorgung anschliessen.
 - Haupthahn (wenn vorhanden) für Druckluft und/oder Wasser öffnen.
9. Steuerung über Transmitter
 - Überprüfen, ob die Ventile durch das Signal des Transmitters aktiviert werden.
—> Druckluftaustritt am Sprühkopf.
 - Sprühkopf unter Wasser tauchen und die Luftmenge auf die gewünschte Flussrate einstellen. Der Luftdurchfluss kann mit einem Reduzierventil reguliert werden.

EasyClean 150

1. Schläuche am EasyClean gemäss Abschnitt 3.3 «Integration in ein Messsystem» anschliessen.
2. Für das Richtige Anschliessen an der Wechselarmatur konsultieren Sie die entsprechende Anleitung. Beachten Sie, dass am EasyClean 150 keine Positionsmelder angeschlossen werden können. Zur Funktionsüberwachung können jedoch pneumatische Rückmelder verwendet werden, welche die jeweilige Position des Sensors anzeigen.
3. Kontrolle vor Inbetriebsetzung:
 - Sind Druckluft und Spülwasser korrekt angeschlossen?
 - Sind alle Schlauchverbindungen sorgfältig (nicht geknickt!) verlegt?
4. Erstinbetriebsetzung EasyClean 150
 - EasyClean an Stromversorgung anschliessen.
 - Haupthahn (wenn vorhanden) für Druckluft und Wasser öffnen.
 - Armatur durch Betätigung des **«In/Out»**-Tasters ein- resp. ausfahren.
 - In ausgefahrener Position (Wartung) darf die LED nicht leuchten und der Transmitter muss im «HOLD»-Modus sein.
 - Drucktaster **«Water»** drücken —> Wasserventil öffnet.
 - Drucktaster **«Water»** loslassen —> Wasserzufluss stoppt.
 - Drucktaster **«In/Out»** betätigen —> Armatur wechselt die Position.
5. Steuerung über Transmitter
 - Waschkontakt des Transmitters aktivieren (siehe Anleitung Transmitter).
 - Überprüfen ob die Ventile durch das Signal des Transmitters aktiviert werden.
—> Armaturbewegung und Öffnen des Wasserventils müssen gleichzeitig erfolgen.
 - Der Zeitintervall des Waschkontaktes ist am Transmitter einzustellen (siehe Anleitung Transmitter).
 - Nach Ablauf des Zeitintervalles schliesst das Wasserventil und die Armatur fährt wieder in die Messposition zurück.

5 Bedienung

5.1 Kontrollen durch den Bediener

Prüfen Sie vor dem Einschalten sowie täglich bzw. bei Schichtwechsel ob eine **genügende Versorgung mit: Druckluft, Spülwasser** und **elektr. Energie** gewährleistet ist, und die **Armatur einwandfrei funktioniert**.

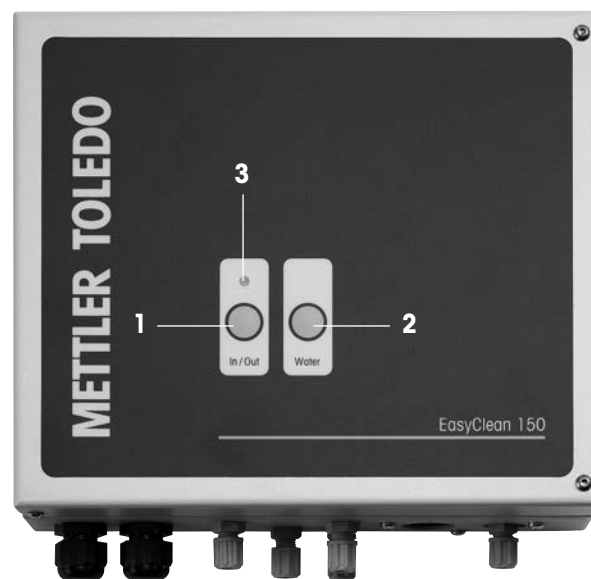
Für allfällige Unterhaltsarbeiten an der Armatur konsultieren Sie die entsprechende Anleitung.

5.2 Bedienung EasyClean 100

Das EasyClean 100 besitzt **keine Bedienelemente**. Die Funktionstüchtigkeit kann nur über den Wasch-Kontakt des Transmitters geprüft werden.

Falls die Funktion nicht mehr gewährleistet ist, konsultieren Sie das Kapitel 6.2 «Störungsbehebung EasyClean 100».

5.3 Bedienung EasyClean 150



1. **Drucktaster «IN/OUT»**
Armaturbewegung (Ein-, Ausfahren)
2. **Drucktaster «Water»**
öffnet das Wasserventil (nur aktiv, so lange der Taster gedrückt wird).
3. **Betriebszustandsanzeige (LED)**
Die LED leuchtet, wenn Armatur in Messposition ist.

Bedienung des EasyClean 150

1. Armaturbewegungen können mit dem Taster «IN/OUT» vorgenommen werden.
2. Ist die Armatur in Wartungsposition (aus dem Prozess) leuchtet die LED-Anzeige nicht.



Hinweis: Die LED- Anzeige zeigt nur die Stellung des Drucktasters für die Armaturposition. Es ist keine direkte Überprüfung der Armaturenstellung und Funktion möglich. Leuchte die LED-Anzeige nicht, ist der Transmitter im «HOLD»-Modus.

3. Das Spülen mit Wasser kann manuell nur in der Wartungsposition aktiviert werden. Dieser Zyklus läuft solange wie der Taster gedrückt wird. Es wird also kein Timer aktiviert.

5.4 Verhalten bei Ausfall der Energieversorgung

EasyClean 100

Ausfall der Stromversorgung

Bei Stromausfall entfallen alle Funktionen des EasyClean 100 ohne Einfluss auf die Messung. EasyClean 100 ist inaktiv. Das heisst:

- Die Elektrode misst weiter. Steht der Transmitter noch unter Spannung, können die Messresultate verwendet werden.
- Die Spülfunktion ist geschlossen. Es ist keine Spülung der Elektrode mehr möglich.



HINWEIS

Nach Wiederherstellung der Spannungsversorgung wird das System automatisch wieder in den Zustand versetzt, welcher vom Transmitter vorgegeben ist.

EasyClean 150

Ausfall der Stromversorgung

EasyClean Ventile sind stromlos in folgenden Positionen

- Wasserventil: geschlossen
- Luftventil: fährt die Armatur resp. der Sensor aus dem Prozess heraus und der Transmitter geht in den Hold-Modus



HINWEIS

Falls das EasyClean 150 wieder mit Strom versorgt wird, fährt die Armatur in jedem Fall immer in die Messposition.

Ausfall der Druckluftversorgung

Bei Verlust der Druckluft bleibt der Sensor in der letzten Position.



HINWEIS

Falls die Armatur im Prozess ist, kann sie durch den Gegendruck aus dem Prozess in die Wartungsposition gestossen werden. In diesem Fall misst der Transmitter weiter. Da keine Indikation auf die Position der Armatur vorhanden ist erkennt das EasyClean 150 die Position der Armatur nicht. Ein Ausfall der Druckluft hat jedoch keinen Einfluss auf die Messung.

6 Wartung und Störungsbehebung

Bei Fragen zu Störungen oder Reparaturen wenden Sie sich an ihren lokalen METTLER TOLEDO Kundendienst. Die Anschriften finden Sie am Ende dieser Betriebsanleitung.

6.1 Wartung

EasyClean 100/150 ist sehr wartungsarm.

Zum Entfernen von Staub, Schmutz und Flecken können die Aussenflächen des Geräts mit einem weichen, mit Wasser angefeuchtetem Tuch abgewischt werden. Wenn nötig kann auch ein mildes Reinigungsmittel verwendet werden.



VORSICHT

Gehäuse darf **nicht mit azetonhaltigem Lösungsmittel** gereinigt werden.

Für die weitere Reinigung (z.B. Ausblasen des Gehäuses) kann gefilterte, öl- und wasserfreie Druckluft verwendet werden (Druck < 6 bar).



VORSICHT

Die **Innenseite des Gehäuses darf nicht mit Flüssigkeit** oder mit einem feuchten Lappen gereinigt werden.

Der Sprühkopf besteht aus PVC oder PVDF. Zur Entfernung von Verschmutzungen dürfen verdünnte Säuren oder Laugen benutzt werden.

6.2 Störungsbehebung und Instandsetzung



GERFAHR

Beachten Sie Kapitel 2 «Sicherheit».

Instandsetzungsarbeiten dürfen nur durch Fachkräfte vorgenommen werden. Vor dem Öffnen des Gerätes muss dieses von der Stromquelle getrennt werden!

EasyClean 100

Störung	Mögliche Ursache	Behebung
Keine Blasenbildung an der InDip-Armatur	Druckluft nicht eingeschaltet. Druck der Luft ist zu niedrig. Druckluftventil öffnet nicht. Luftschläuche nicht richtig verlegt (gequetscht) oder defekt. Sprühkopf verstopft.	Druckluft einschalten. Erhöhung des Druckes. Ventil reinigen. Schläuche auf Undichtigkeit, Knick und eventuelle Quetschungen hin kontrollieren. Sprühkopf reinigen.
Ungenügende Reinigung der Elektrode	Zu wenig Luftfluss. Spülintervall zu lang und/oder Spülzeiten zu kurz. Öffnungen am Sprühkopf sind verstopft. Blasen erreichen die Elektrode nicht.	Erhöhung des Flusses oder Leitungen resp. Sprühkopf reinigen. Intervall am Transmitter verkürzen, Spülzeiten erhöhen. Sprühkopf ausbauen und reinigen. Distanz zwischen Sprühkopf und Elektrodenspitze verringern. Eintaucharmatur an einen Ort mit weniger Strömung plazieren. Druck erhöhen.
Das Spülen startet nicht (auto und/oder manuell)	Spülungsintervall vom Transmitter wird vom Gerät nicht erkannt. Ventil wird nicht mit Strom versorgt.	Verkabelung anhand des Schaltschemas überprüfen. Stromversorgung überprüfen.

EasyClean 150

Störung	Mögliche Ursache	Behebung
InTrac-Armatur bewegt sich nicht Sensor fährt nicht aus oder in den Prozess.	Druckluft nicht eingeschaltet. Druck der Luft ist zu niedrig. Druckluftventil öffnet nicht. Luftschläuche nicht richtig verlegt oder defekt.	Druckluft einschalten. Erhöhung des Druckes (siehe Spezifikationen). Ventil reinigen. Schläuche auf Undichtheit Knicke und eventuelle Quetschungen kontrollieren.
InTrac Armatur fährt selbständig aus dem Prozess.	Druck der Druckluft < Prozessdruck. Plötzlicher Druckverlust.	Druckluft erhöhen (siehe Spezifikationen). Verbindungen und Schläuche auf Lecks überprüfen.
Ungenügende Spülung der Elektrode.	Zu wenig Wasserfluss. Spülintervall zu lang. Spülzeiten zu kurz. Spülkammer verstopft.	Erhöhung des Flusses. Intervall am Transmitter verkürzen. Spülzeiten erhöhen. Armatur ausbauen und reinigen
LED leuchtet nicht.	LED defekt / normale Gerätefunktion.	Keinen Einfluss auf die Funktionstüchtigkeit.
Transmitter geht nicht in «HOLD»-Modus	Hold Relais defekt. Anschlüsse für den Transmitter sind lose oder falsch angeschlossen.	Fachperson beiziehen. Anschlüsse kontrollieren und eventuell neu installieren.
Spülung kann nicht aktiviert werden.	Armatur ist in Messposition. Taster «Water» (Spülen) defekt. Wasserventil defekt. Kein Wasserfluss.	In Messposition kann nicht gespült werden. Kabel überprüfen. Kontaktieren Sie Ihre Verkaufsstelle. Wasserventil reinigen, evtl. austauschen. Überprüfung der Zuleitung zum EasyClean 150.
Das Spülen startet nicht (auto und/oder manuell).	Spülungsintervall vom Transmitter wird vom Gerät nicht erkannt. Ventil wird nicht mit Strom versorgt.	Verkabelung anhand des Schaltschemas überprüfen. Stromversorgung überprüfen.

7 **Ausserbetriebsetzung, Lagerung, Entsorgung**



GEFAHR

Beachten Sie Kapitel 2 «Sicherheit».

Die Ausserbetriebsetzung darf nur durch ausgebildetes Personal oder Fachkräfte vorgenommen werden.

7.1 **Ausserbetriebsetzung**

Vorgehen

1. Gebäudeseitige Spannungs-, Druckluft- und Wasserversorgung abstellen.
2. Netzanschluss vom Gerät trennen.
3. Vorhandene Signalleitungen abhängen.
4. Leitungen für Druckluft abhängen.
5. EasyClean von der Befestigung demontieren.
6. Spülen der Schläuche und des Ventiles mit Frischwasser.
7. Reinigung des Gerätes mit einem feuchten Lappen.
8. Gerät trocknen lassen.

7.2 **Lagerung**

Lagern Sie EasyClean an einem trockenen Ort gemäss den Angaben in Kapitel 1.3.

7.3 **Umweltschutz**



Elektroaltgeräte dürfen nicht zusammen mit dem Hausmüll entsorgt werden. Bitte führen Sie diese möglichst Einrichtungen zur Wiederverwertung zu. Wenden Sie sich an Ihre zuständige Behörde oder Ihren Fachhändler, um Hinweise zur Wiederverwertung zu erhalten.

8 Ersatzteile und Zubehör

Bei Ersatzteilbestellungen fügen Sie bitte folgende Angaben an:

- Artikelnummer des Geräts
- Seriennummer des Geräts
- Bestellnummer aus der folgenden Ersatzteilliste
- gewünschte Stückzahl.

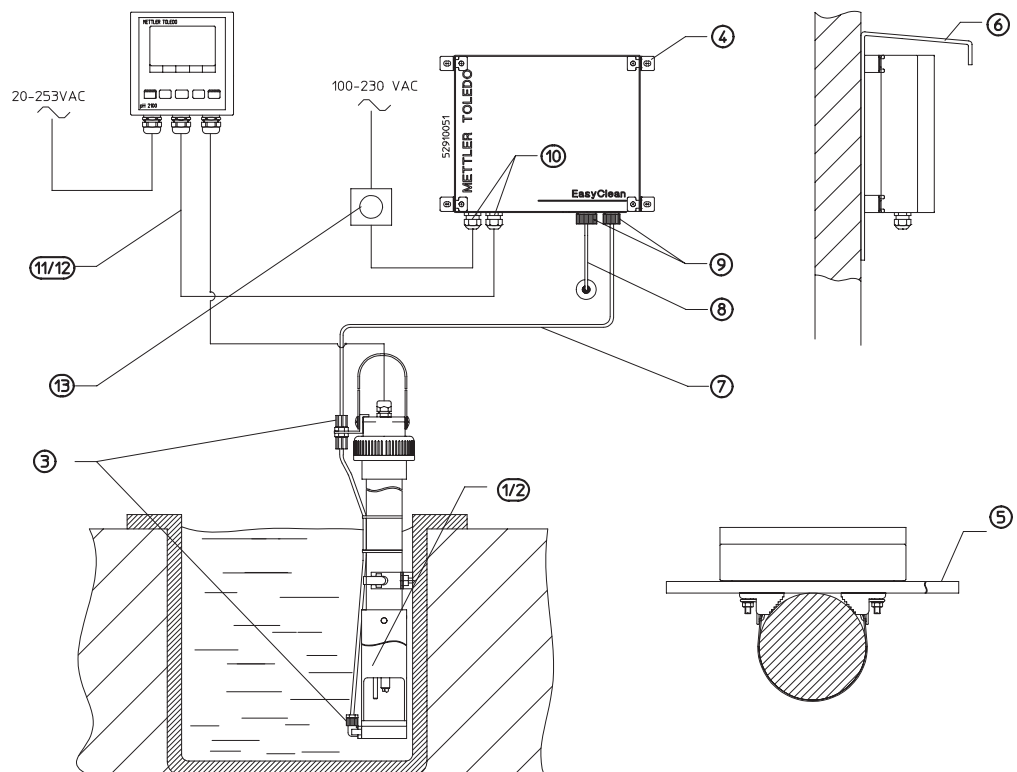
Die Hersteller- und Kundendienstanschriften finden Sie am Ende dieser Betriebsanleitung.

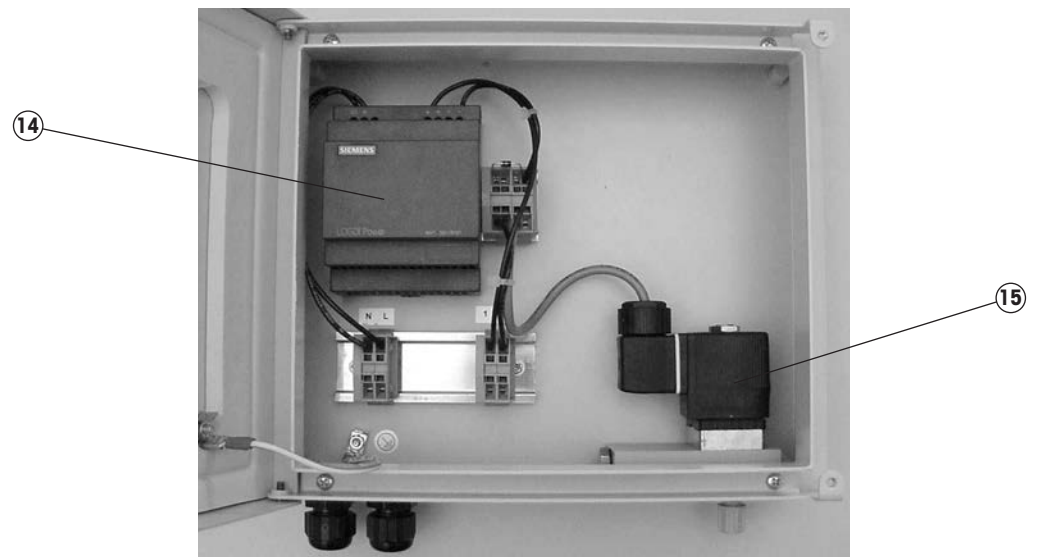


HINWEIS

Ersatzteile müssen den technischen Erfordernissen des Geräteherstellers entsprechen!
Verwenden Sie nur Originalersatzteile.

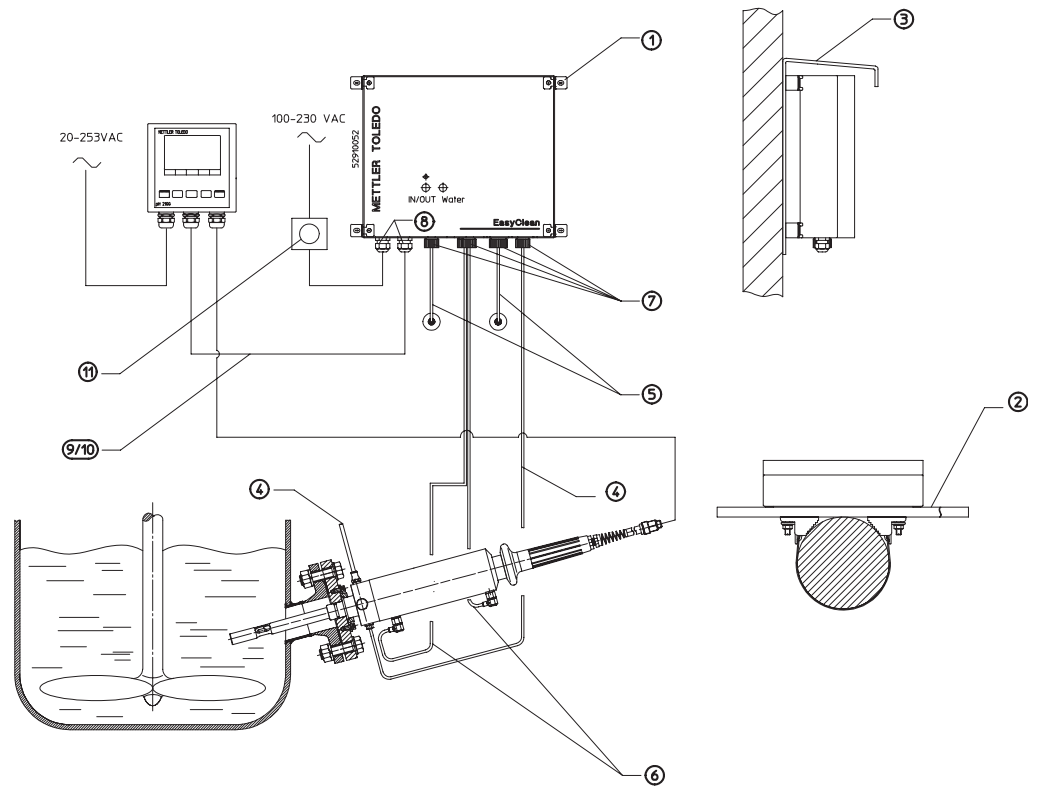
8.1 Ersatzteilliste und Zubehör für EasyClean 100





Pos.	Art.-Nr.	Beschreibung
1	52 402 291	Sprühkopf für InDip 550 / PVC
2	52 402 290	Sprühkopf für InDip 550 / PVDF
3	52 402 370	Fittingset für Sprühkopf
4	52 402 306	Wandbefestigung, komplett
5	52 402 308	Mastbefestigung, komplett
6	52 402316	Wetterschutzdach
7	52 402 283	PTFE-Schlauch, Ø 6/4 mm, 5 m
8	52 402 314	LDPE-Schlauch für Druckluftanschluss, Ø 6/4 mm, 20 m
9	52 402 337	Fittingset pneum./hydr.
10	52 402 336	Kabeldurchführungsset
11	52 300 265	Verbindungskabel Steuergerät > Transmitter (5 m)
12	52 300 266	Verbindungskabel Steuergerät > Transmitter (10 m)
13	52 402 317	«Not-Aus»-Schalter
14	52 402 305	Netzteil
15	52 402 309	Wasserventil
	52 500 178	Bedienungsanleitung EasyClean 100/150

8.2 Ersatzteilliste und Zubehör für EasyClean 150



Pos.	Art.-Nr.	Beschreibung
1	52 402 306	Wandbefestigung, komplett
2	52 402 308	Mastbefestigung, komplett
3	52 402316	Wetterschutzdach
4	52 402 283	PTFE-Schlauch, Ø 6/4 mm, 5 m
5	52 402 314	LDPE-Schlauch für Druckluftanschluss, Ø 6/4 mm, 20 m
6	52 401 322	Pneumatik-Schlauch, Ø 6/4 mm, 10 m
7	52 402 337	Fittingset pneum./hydr.
8	52 402 336	Kabeldurchführungsset
9	52 300 265	Verbindungskabel Steuergerät > Transmitter (5 m)
10	52 300 266	Verbindungskabel Steuergerät > Transmitter (10 m)
11	52 402 317	«Not-Aus»-Schalter
12	52 402 305	Netzteil
13	52 402 338	Steuerprint EasyClean 150
14	52 402 309	Wasserventil
15	52 402 320	Luftventil
	52 500 178	Bedienungsanleitung EasyClean 100/150 (de/en/fr)

EasyClean 100

EasyClean 150

Instructions d'utilisation

© La réimpression en totalité ou en partie de ce manuel d'instructions est interdite.

Aucune partie de ce manuel ne peut être reproduite sous quelque forme que ce soit, ni modifiée, copiée ou distribuée à l'aide de systèmes électroniques, en particulier sous la forme de photocopies, de photographies, sous forme magnétique ou tout autre type d'enregistrement, sans l'accord écrit de Mettler-Toledo GmbH, Process Analytics, CH-8902 Urdorf, Suisse.

Tous droits réservés, en particulier pour la reproduction, la traduction et l'obtention de brevets/l'enregistrement.

InTrac et InDip sont des marques du groupe METTLER TOLEDO.

Les autres marques déposées sont la propriété de leurs détenteurs respectifs.

Utilisation des présentes instructions d'utilisation

Les présentes instructions d'utilisation font partie intégrante de l'EasyClean 100 et l'EasyClean 150 et contient d'importantes directives et instructions relatives à la sécurité et à l'emploi.

Toutes les personnes qui devront travailler avec l'EasyClean 100 et/ou l'EasyClean 150 devront au préalable avoir lu et compris le chapitre relatif à leur activité.

Veillez lire attentivement les présentes instructions d'utilisation avant d'utiliser le système EasyClean. Conservez ce document à proximité immédiate de l'appareil, afin de faciliter une consultation ultérieure par le personnel concerné.



Veillez lire en premier lieu le chapitre 2 «Sécurité»!

Table des matières

1	Description du produit	75
1.1	Introduction	75
1.2	Équipement et fourniture	75
1.3	Caractéristiques de l'EasyClean 100/150	76
2	Sécurité	78
2.1	Introduction	78
2.2	Utilisation judicieuse	78
2.3	Utilisation non judicieuse	78
2.4	Principes de base	79
2.5	Avertissements et symboles	79
2.6	Responsabilités, mesures organisationnelles	80
2.7	Dangers spécifiques au produit	81
2.8	Dangers latents résiduels	81
2.9	Mesures en cas d'urgence	81
2.10	Mesures de sécurité	82
2.11	Modifications	82
3	Votre appareil	83
3.1	Vue d'ensemble	83
3.2	Fonctions	84
3.3	Intégration à un système de mesure	85
4	Mise en service	86
4.1	Montage	86
4.2	Raccordement	88
4.3	L'installation et la mise en service	92
5	Fonctionnement	94
5.1	Contrôles par l'opérateur	94
5.2	Fonctionnement de l'EasyClean 100	94
5.3	Fonctionnement de l'EasyClean 150	94
5.4	En cas de coupure de courant	95
6	Maintenance et dépannage	96
6.1	Maintenance	96
6.2	Dépannage et maintenance	97
7	Mise hors service, entreposage, rejet	99
7.1	Mise hors service	99
7.2	Entreposage	99
7.3	Protection de l'environnement	99
8	Pièces de rechange et accessoires	100
8.1	Liste des pièces de rechange et accessoires pour EasyClean 100	100
8.2	Liste des pièces de rechange et accessoires pour EasyClean 150	102

1 Description du produit

1.1 Introduction

Conformité

EasyClean 100 et EasyClean 150 sont conformes aux dispositions suivantes:

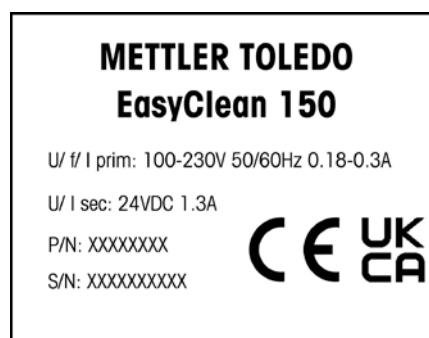
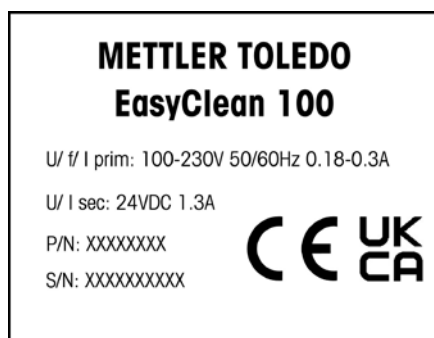
- Directives basse tension:
 - directives UE 73/23/EG
 - directives suisses SR734.26NEV
 - dispositions de sécurité EN61010-1
 - classe de protection IP EN60529 IP65
- Directives CEI (compatibilité électromagnétique):
 - émission EN61326-1, Classe B
 - harmoniques EN61000-3-2
 - fluctuations de tension EN61000-3-3
 - immunité EN61326-1

Certificats

Certificat CE, GS

Caractérisation

La plaque signalétique se trouve sur la face extérieure gauche de l'appareil.



1.2 Equipement et fourniture

Fourniture

Les appareils EasyClean sont fournis sans cordon de branchement. Les cordons de branchement à prévoir par le client seront raccordés aux prises prévues à cet effet sur l'appareil (voir à ce sujet la section **4.2 «Branchements»**).

Emballage

L'emballage est constitué de carton et de carton de rembourrage. Conservez l'emballage en vue d'un éventuel entreposage ou d'un éventuel transport de l'appareil. Si toutefois vous souhaitez vous débarrasser de l'emballage, conformez-vous aux prescriptions locales ainsi qu'à la **section 7.3 «Protection de l'environnement»**.

Contrôle de la fourniture

Lors du déballage, assurez-vous de l'absence de tous dégâts. Au cas où vous en constateriez, signalez-le sans délai au Transporteur et à votre Fournisseur.

Vérifiez la fourniture à l'aide de votre bon de commande et des documents de livraison.

1.3 Caractéristiques de l'EasyClean 100/150

Boîtier	boîtier en acier revêtu de résine polyester en poudre matériau: acier DIN 1.1203 Ck55 attention: ne pas nettoyer au moyen de solvants contenant de l'acétone
Poids de l'appareil	environ 3 kg (6.6 lbs)
Classe de protection	IP 65
Conditions ambiantes	temp. en service: 0 – +45 °C (+32 – +113 °F) temp. transport/entreposage: –10 – +70 °C (+14 – +158 °F) degré de pollution: 2 Surtension catégorie: III
Alimentation réseau	100 – 230 V AC, 50/60 Hz, 0.18 – 0.3 A (± 15%)
Commande système	activation processus: via un contact de lavage du transmetteur raccordé déroulement: non programmable sur l'appareil
Entrée de commande	1 entrée de commande pour contacts de lavage, venant du transmetteur, 24 V
Transmetteur	transmetteurs METTLER TOLEDO: – pH 2050e, O ₂ 4050e, Cond 7050e – pH 2100e, O ₂ 4100e, Cond 7100e, Trb8300 – alternativement via transmetteur avec contact de lavage et fonction «hold»
Branchements	bornes de branchement 0.08 – 2.5 mm ²
Liaison au transmetteur	câble de commande 4 fils, 1.5 mm ² longueur: 5 m (10 m en option)
Passages de câbles	∅ 3.5 – 10 mm => M 16
Amenée d'air comprimé	4 – 8 bar (400 – 800 kPa, 58 – 116 psi) – qualité d'air selon ISO 8573-1 – classe d'hygrométrie 4 (point de rosée d'eau +3 °C) – classe de solides 5 (filtre 40 µm) – capacité d'huile max. classe 2 (0.1 mg/m ³) raccord: filet G½"

Liaison au support InDip	flexible LDPE, Ø 6/4 mm (1/8" / 1/4") option: flexible PTFE, Ø 6/4 mm (1/8" / 1/4")
Liaison au support rétractable	flexible LDPE, Ø 6/4 mm (1/8" / 1/4") option: flexible PTFE, Ø 6/4 mm (1/8" / 1/4")
Alimentation d'eau de rinçage	pression: 2 – 6 bar (200 – 600 kPa, 29 – 87 psi) raccord: filet G1/4" féminin adaptateur: 1/4" NPT masculin (PP)
Matériau tête de pulvérisation	PVC, PVDF
Matériaux en contact avec l'eau de rinçage ou l'air comprimé	PP, LDPE, Viton™, laiton, acier inoxydable DIN 1.4105, 1.4303, 1.4310
Médias en connection avec le flexible LDPE	de l'eau 0 – 60 °C (32 °F – 140 °F)
Médias en connection avec le flexible PTFE	de l'eau 0 – 90 °C (32 °F – 194 °F)

Sous réserve de modifications techniques

2 Sécurité

2.1 Introduction

Les instructions d'utilisation contiennent les informations essentielles pour assurer une utilisation efficace et judicieuse de l'EasyClean 100/150 et de sa tête de pulvérisation. Un prérequis indispensable à une manipulation sûre et à un bon fonctionnement est la connaissance de ces consignes de sécurité et l'observance des autres mises en garde des présentes instructions d'utilisation.

Les présentes instructions d'utilisation, et en particulier les consignes de sécurité, doivent être scrupuleusement respectées par l'exploitant et par toutes les personnes susceptibles de travailler avec l'EasyClean 100/150 ou avec la tête de pulvérisation. Il y a lieu, en outre, de se conformer aux réglementations locales du site d'utilisation et aux prescriptions légales.

Les instructions d'utilisation doivent toujours être conservées à portée de main et être accessibles à toute personne travaillant avec l'EasyClean 100/150 ou avec la tête de pulvérisation.

2.2 Utilisation judicieuse

L'EasyClean 100/150 et la tête de pulvérisation ne doivent être utilisés que pour le rinçage et le nettoyage de capteurs, et ceci de la manière décrite dans les présentes Instructions.

Une utilisation judicieuse et responsable englobe les éléments suivants:

- Le respect des recommandations, prescriptions et directives des présentes instructions d'utilisation.
- L'entretien et le soin corrects de l'appareil conformément aux présentes instructions d'utilisation.
- L'utilisation conforme aux conditions d'environnement et d'emploi prescrites, ainsi qu'aux positions de montage.
- Le respect de la législation locale.

2.3 Utilisation non judicieuse

Toute autre utilisation autre que celles mentionnées ci-dessus, ainsi que toute application ne correspondant pas aux caractéristiques techniques, sont à considérer comme non judicieuses. L'utilisateur assume tous les risques quant à tous dégâts qui seraient imputables à une telle utilisation.

Les applications suivantes sont en particulier à prohiber:

- Utilisation de fluides hydrauliques au lieu d'air comprimé
- Utilisation de suspensions et de solvants comme produits de nettoyage

2.4 Principes de base

L'EasyClean 100/150 et la tête de pulvérisation sont construits conformément à l'état de la technique et aux règles de sécurité reconnues.

L'appareil peut toutefois poser certains risques et dangers:

- lorsqu'il est utilisé par des personnes insuffisamment formées.
- lorsqu'il n'est pas utilisé conformément aux prescriptions.

L'EasyClean 100/150 et la tête de pulvérisation ne peuvent être utilisés que s'ils sont en parfait état technique, conformément aux prescriptions, dans un souci de sécurité et en étant conscient des dangers, et selon les consignes des instructions d'utilisation.

Tous dérangements ou dégâts qui compromettraient la sécurité et le fonctionnement doivent être immédiatement réparés par l'utilisateur ou par un spécialiste, et signalés par écrit au constructeur!

2.5 Avertissements et symboles

Les présentes instructions d'utilisation utilisent les symboles suivants pour caractériser les consignes de sécurité:



DANGER!

Cet avertissement concerne un danger susceptible d'entraîner d'importants dégâts matériels, des lésions corporelles graves ou même mortelles.



ATTENTION!

Cet avertissement signale une situation potentiellement dangereuse pouvant entraîner des lésions corporelles et/ou des dégâts matériels légers.



REMARQUE!

Cette information attire l'attention sur des impératifs techniques. Sa non observance peut déboucher sur des pannes, un défaut d'économie et éventuellement des pertes de production.

2.6 Responsabilités, mesures organisationnelles

Obligations de l'utilisateur

- L'utilisateur s'engage à ne laisser utiliser l'EasyClean que par des personnes familiarisées avec les prescriptions de base sur la sécurité du travail et la prévention des accidents, et affectées à la manipulation de l'appareil. Les présentes instructions d'utilisation font à cet effet office de guide pratique.
- Outre les instructions d'utilisation, l'utilisateur assurera la mise à disposition et l'instruction des réglementations légales généralement en vigueur et des autres réglementations contraignantes en matière de sécurité du travail et de prévention des accidents, ainsi que de protection de l'environnement.
- La conscience du personnel quant à la sécurité et aux dangers doit être contrôlée à intervalles réguliers.
- Toutes les mesures nécessaires doivent être prises afin que l'EasyClean ne soit utilisé qu'en parfait état de marche et en toute sécurité.

Obligations du personnel

- Toutes les personnes chargées de travailler sur ou avec l'EasyClean doivent lire les prescriptions de sécurité et les avertissements des présentes instructions d'utilisation.
- Outre les présentes instructions d'utilisation, le personnel respectera les réglementations légales généralement en vigueur et les réglementations en matière de sécurité du travail et de prévention des accidents.
- Toute méthode de travail suspecte au niveau de la sécurité et ne correspondant pas à une utilisation judicieuse de l'appareil est à proscrire.

Sélection et qualification du personnel – obligations de base

- Toute opération sur l'EasyClean doit être exclusivement effectuée par un personnel fiable, disposant d'une formation ou d'une instruction adéquate. Le personnel d'opération devra au préalable avoir lu attentivement les présentes instructions d'utilisation.
- Les compétences du personnel en ce qui concerne la commande, l'entretien, la maintenance etc. doivent être clairement définies.
- Il y a lieu de s'assurer que seul le personnel mandaté à cet effet effectue des activités sur l'appareil.
- Le personnel en formation, à former ou relevant d'une formation générale ne peut travailler sur l'appareil que sous la surveillance constante d'une personne expérimentée.
- Tous travaux sur l'équipement électrique de l'appareil seront exclusivement effectués par un électricien spécialisé et conformément aux règles de l'art électrotechniques.

Modifications structurelles de l'appareil

- Aucune modification, addition ni transformation de nature à affecter la sécurité ne peut être entreprise sans l'accord écrit de Mettler-Toledo GmbH, Process Analytics.
- Tous les composants qui ne seraient pas en parfait état doivent être remplacés sans délai.

2.7 Dangers spécifiques au produit



Dangers dus à l'énergie électrique!

Si l'appareil doit être ouvert à des fins de travaux d'installation et/ou de réparation, les éléments sous tension doivent être déconnectés.

Refermer l'appareil dès que les travaux sont terminés!



Dangers dus à l'eau/air sous pression!

S'il y a lieu d'ouvrir des lignes sous pression (air comprimé, eau de lavage), elles doivent être isolées et dépressurisées avant le début des travaux!

2.8 Dangers latents résiduels

Même si toutes les précautions ont été prises, il subsiste des dangers latents tel que, par exemple:

- l'éclatement d'une canalisation.
- les dangers suscités par un dérangement d'une commande d'un niveau supérieur.

2.9 Mesures en cas d'urgence



En cas de projection de liquide dans les yeux, rincer abondamment à l'eau courante pendant au moins 15 minutes. Consulter un médecin aux fins de contrôle.

En cas de contact avec la peau, rincer immédiatement à l'eau.

Une assistance médicale est dans tous les cas nécessaire en cas de symptômes manifestement imputables au contact d'un fluide avec la peau ou les yeux. Indiquer au médecin la nature et les caractéristiques de toutes les substances utilisées.

2.10 Mesures de sécurité

Les législations et prescriptions locales doivent être strictement respectées à tout moment. Elles ne font pas partie intégrante des présentes instructions d'utilisation.

Le port d'un équipement de protection personnelle, tel que des lunettes de sécurité et un vêtement de protection, est impératif.

L'appareil ne peut être utilisé qu'à l'état fermé.

L'utilisateur est responsable de la formation de son personnel. A titre de guidance, les présentes instructions d'utilisation peuvent être commandées en différentes langues. Elle fait partie intégrante de l'appareil et doit en tous temps être disponible au site d'exploitation de ce dernier.

L'utilisateur informera immédiatement le constructeur de tous les événements qui se produiraient dans le contexte de la sécurité lors de l'utilisation de l'appareil.

2.11 Modifications

Aucune modification ne peut être effectuée sans consultation et accord écrit préalables du constructeur.

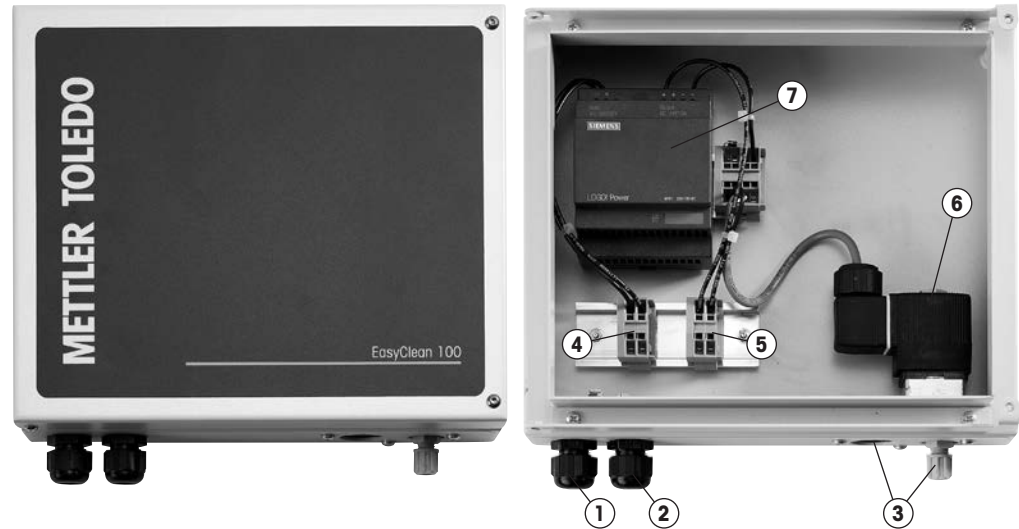
Seuls les composants indispensables pour assurer le fonctionnement de l'appareil peuvent être installés et démontés.

Ceci peut être réalisé manuellement ou à l'aide de l'outillage fourni. Ne jamais déposer de dispositifs de sécurité ni de couvercles en utilisant des outils du commerce, sauf moyennant l'autorisation du service technique autorisé. Tout contact avec des éléments sous tension constitue un danger mortel.

3 Votre appareil

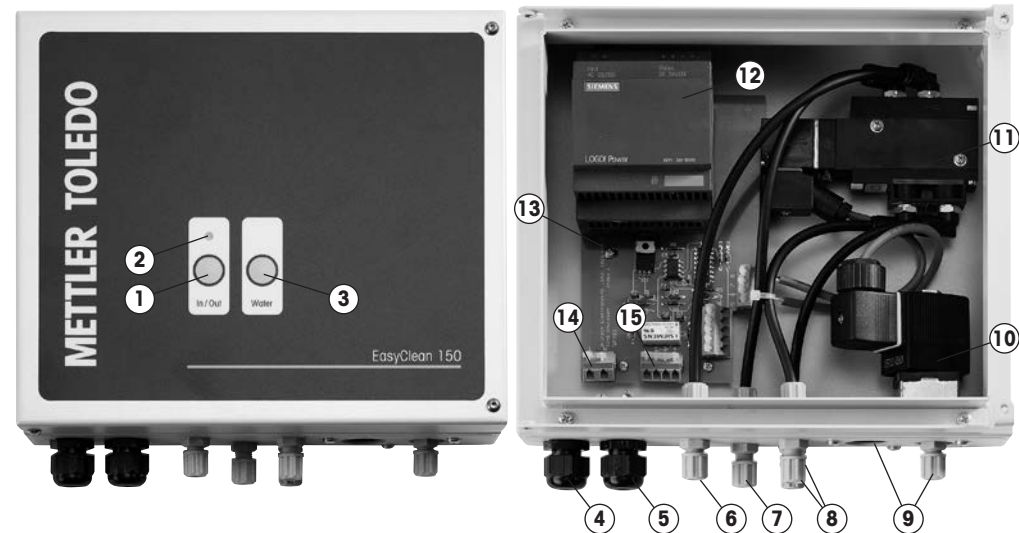
3.1 Vue d'ensemble

EasyClean 100



- | | |
|---|---|
| 1. Raccordement secteur | 5. Bornes de raccordement câble de commande |
| 2. Raccordement câble de commande | 6. Vanne d'air comprimé/vanne d'eau |
| 3. Raccordement d'air comprimé ou d'eau | 7. Bloc secteur |
| 4. Bornes de raccordement secteur | |

EasyClean 150



- | | |
|--|--|
| 1. Touche «in/out» (sélecteur de position) | 9. Raccordement d'eau |
| 2. Lampe témoins DEL | 10. Vanne d'eau |
| 3. Touche «water» (sélecteur de rinçage) | 11. Vanne d'air comprimé |
| 4. Raccordement secteur | 12. Bloc secteur |
| 5. Raccordement câble de commande | 13. Platine de commande |
| 6. Raccordement d'air comprimé | 14. Bornes de raccordement secteur |
| 7. Echappement d'air | 15. Bornes de raccordement câble de commande |
| 8. Sorties d'air comprimé (in/out) | |

3.2 Fonctions

Généralités

L'EasyClean 100/150 commande l'amenée d'air comprimé et/ou d'eau à une tête d'électrode placée dans un support InDip (EasyClean 100) ou dans un support rétractable (EasyClean 150). L'écoulement est libéré et arrêté via le contact de lavage du transmetteur.

Types d'opérations

Le transmetteur prend en charge toute la commande de l'appareil.

Position de base

Les vannes sont fermées et hors courant.

Le bloc InTrac demeure sur sa dernière position lors d'une chute de pression. En cas de coupure de courant sur l'EasyClean 150, le capteur quitte le processus et le transmetteur passe en mode de maintien (la lecture est «gelée»).

En cas de coupure de courant, toutes les fonctions de l'EasyClean 100 sont neutralisées, sans affecter la mesure.

Fonction de Maintien

En ce qui concerne la fonction exacte et les paramètres du relais de maintien, se reporter au mode d'emploi du transmetteur utilisé.

Lampes témoins

L'EasyClean 100 n'est pas équipé de lampes témoins.

L'EasyClean 150 dispose d'une lampe témoin (DEL) placée à l'avant. La lampe témoin est couplée à la vanne de commande déclenchant le mouvement du support. Elle n'indique dès lors pas un mauvais fonctionnement du bloc, mais simplement la position de la touche (mode automatique ou mode «service» à l'état rétracté).

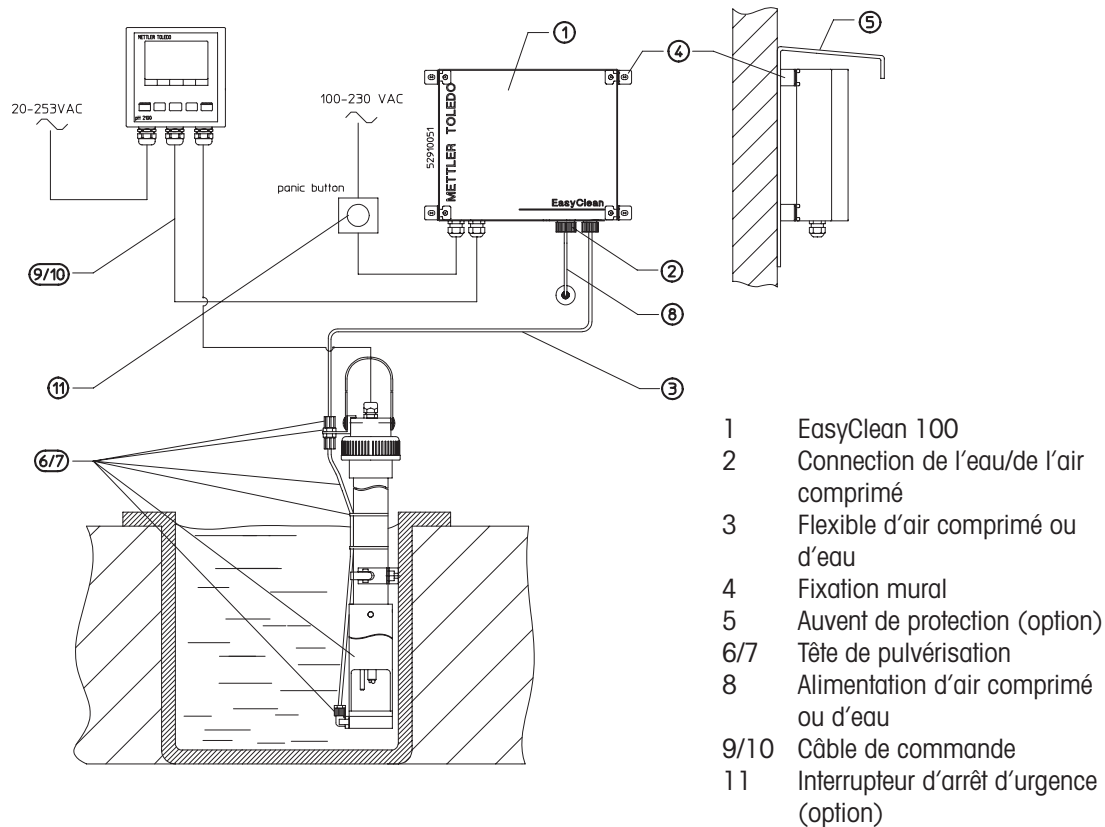
Déroulement du programme

Le temps de rinçage et/ou de lavage est déterminé par le signal de commande (contact de lavage) (voir le mode d'emploi du transmetteur).

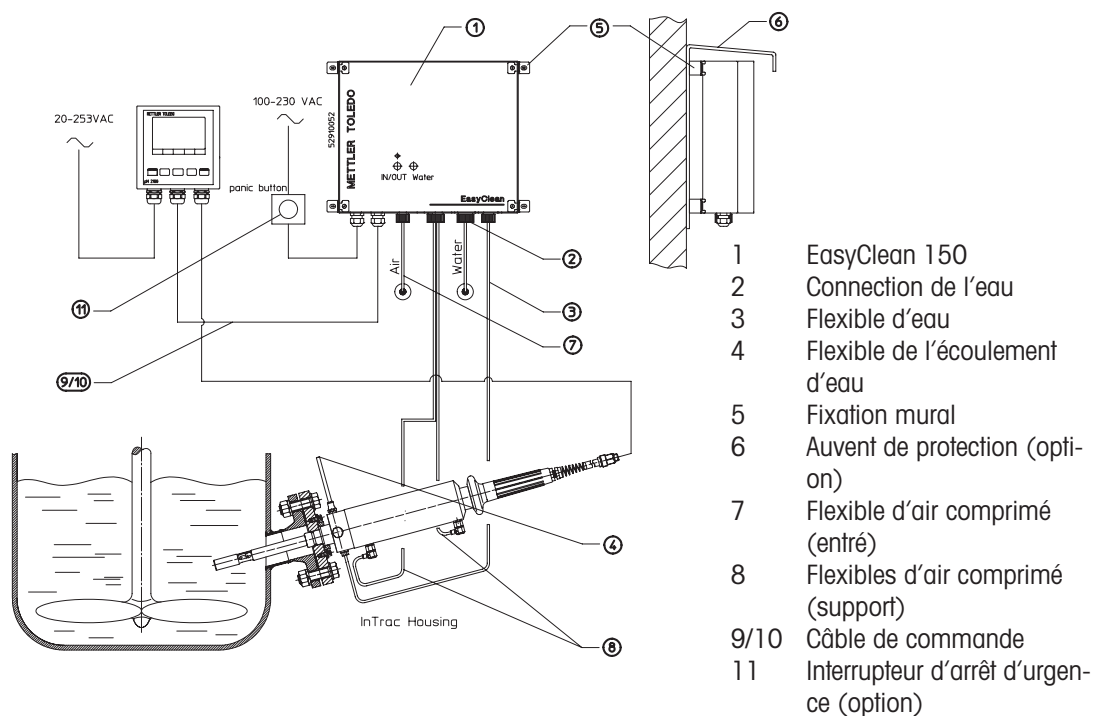
3.3 Intégration à un système de mesure

Les schémas ci-après sont des exemples type d'intégration de l'EasyClean 100 et de l'EasyClean 150 à un système de mesure.

EasyClean 100



EasyClean 150



4 Mise en service



DANGER

Voir le chapitre 2 «Sécurité».

Tous travaux aux composants électriques du système ne peuvent être effectués que par un personnel qualifié et autorisé.



REMARQUE

Pour la mise en service, procéder comme expliqué à la section 4.3 «L'installation et la mise en service». Voir les références pour de plus amples informations.

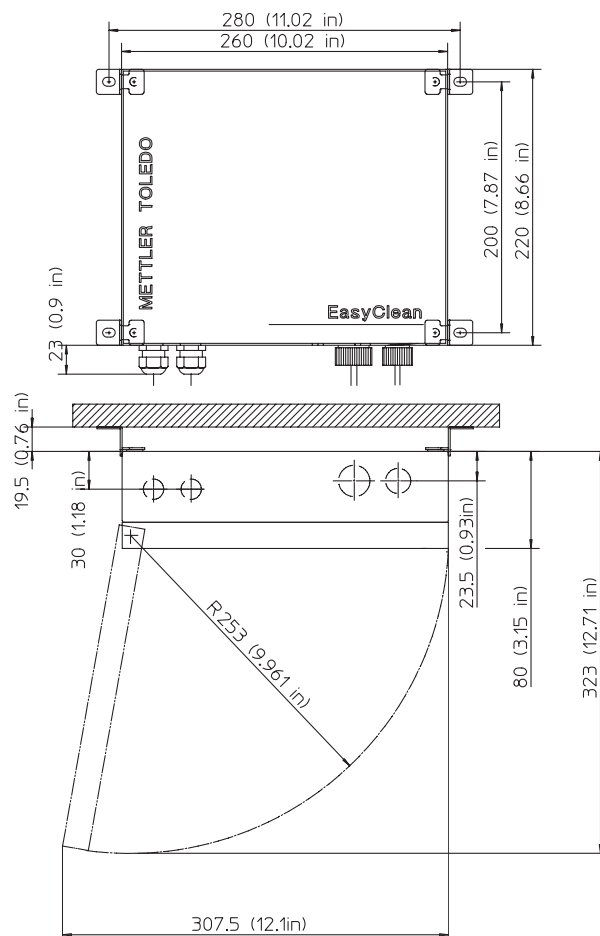
4.1 Montage

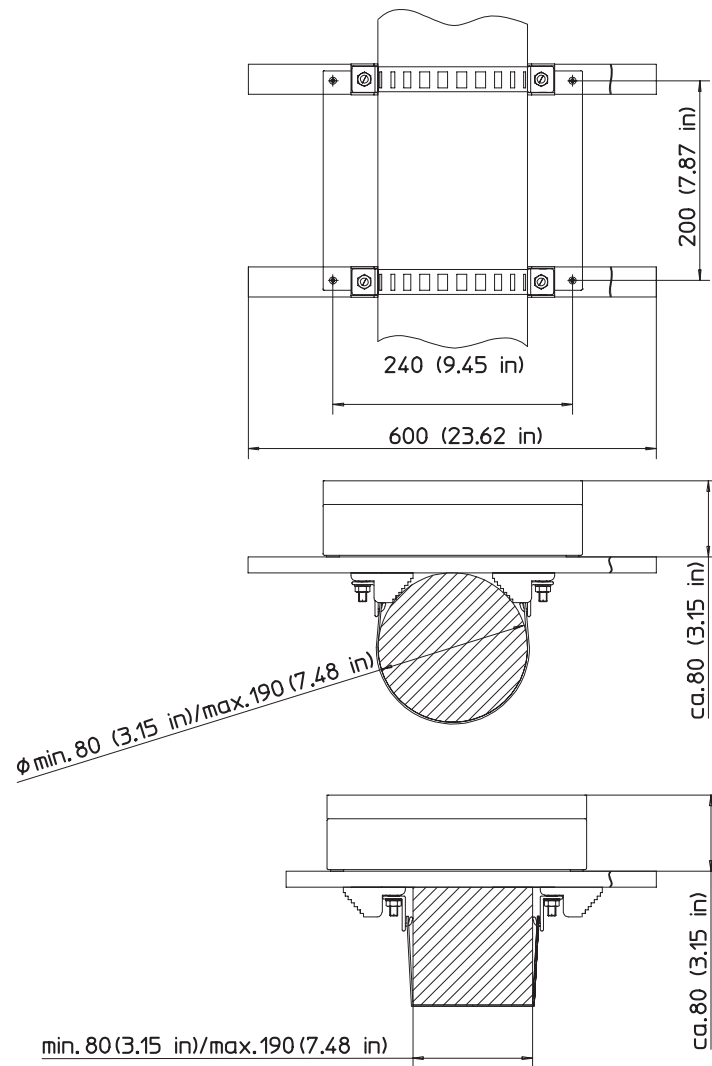
Les EasyClean 100 et 150 sont prévus pour montage direct (rail en c), mural ou sur mâts/poteaux. L'EasyClean 100 et l'EasyClean 150 sont installés dans le même type de carrosserie et présentent dès lors les mêmes dimensions.

Le site de montage doit présenter une résistance suffisante et être autant que possible à l'épreuve des vibrations.

Veiller à des longueurs minimales de lignes.

Montage mural



Montage sur mât/poteau

Pour la procédure exacte de montage de la suspension, se reporter à la brochure d'installation fournie à part.

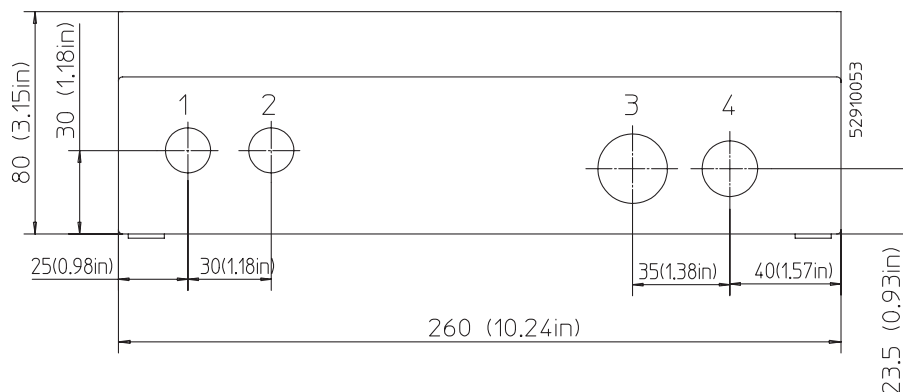
4.2 Raccordement



ATTENTION

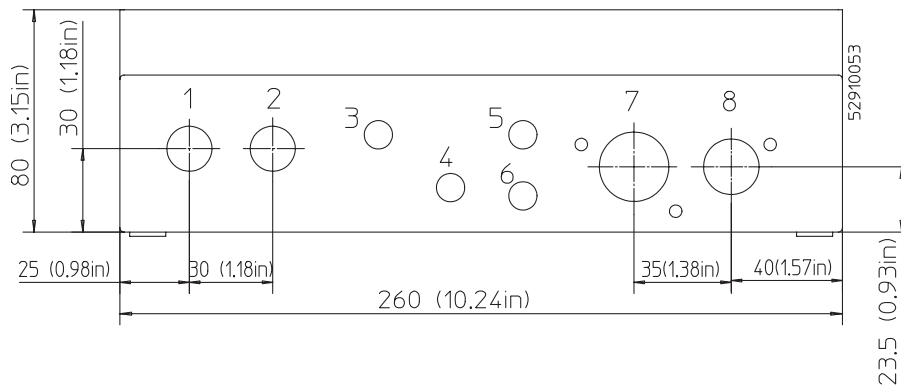
S'assurer, avant de procéder au raccordement, que les valeurs de raccordement selon la section 1.3 «Données et caractéristiques techniques» sont bien conformes.

Raccordements au bas du boîtier EasyClean 100



1. Passage du câble secteur, M16
2. Passage du câble du transmetteur, M16
3. Entrée d'air/d'eau G1/4" NPT, femelle
4. Sortie vers support InDip (flexible Ø 6/4 mm)

Raccordements au bas du boîtier EasyClean 150



1. Passage du câble secteur, M16
2. Passage du câble du transmetteur, M16
3. Entrée d'air (flexible Ø 6/4 mm)
4. Echappement d'air
5. Sortie d'air comprimé vers support InTrac —> fonction: «retour»
6. Sortie d'air comprimé vers support InTrac —> fonction: «avance»
7. Entrée d'eau G1/4", femelle
8. Sortie vers support (flexible Ø 6/4 mm)

**Remarques**

Il est avantageux que le client installe une vanne d'arrêt d'eau et d'air comprimé à proximité de l'EasyClean 100 / 150. Ceci facilitera les travaux d'entretien tout en augmentant la sécurité de travail lors du montage et du démontage de l'appareil.

Respecter les prescriptions locales en matière d'installations pneumatiques et de distribution d'eau.

Raccordements du support à immersion

La tête de pulvérisation est conçue pour le METTLER TOLEDO InDip 550. Si la tête de pulvérisation est utilisée avec un autre support, l'utilisation et le montage de la tête sont aux risques et périls de l'utilisateur.

Pour l'installation sur support rétractable, se reporter au mode d'emploi correspondant du support.

Raccordements électriques

Les EasyClean 100 et 150 sont conçus pour le transmetteur METTLER TOLEDO comme décrit à la section 1.3. Se reporter au mode d'emploi correspondant pour l'installation correcte sur un autre transmetteur.

**DANGER**

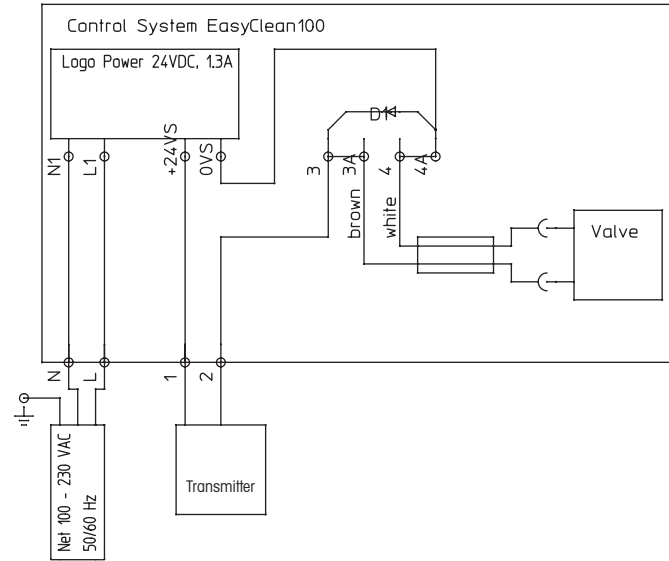
Le raccordement au secteur ne peut être réalisé que par un personnel spécialisé et autorisé, selon les règles de l'art électrotechniques.

Pour le raccordement au secteur par le client, on se conformera également aux 'prescriptions locales.

**Remarque**

Le disjoncteur de protection doit être intégré dans l'installation électrique et monté à proximité de l'EasyClean.

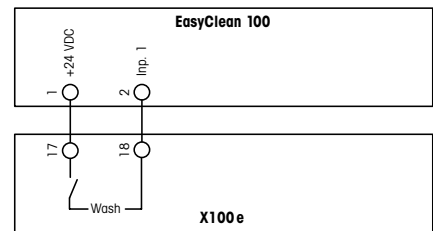
Raccordements électriques EasyClean 100 avec transmetteurs METTLER TOLEDO



Raccordements électriques

Transmetteur X100 e

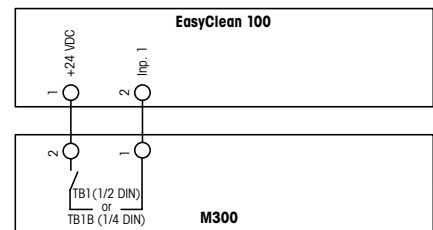
Fixer le temps de rinçage et l'intervalle de rinçage du transmetteur X100 e suivant les conditions d'application.



Transmetteur M300

Configurer le relais # 1 (préréglage) ou # 2, # 3, # 4 du transmetteur en relais de rinçage.

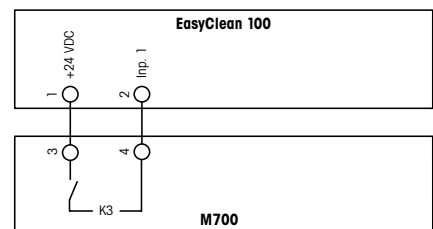
Fixer le temps de rinçage et l'intervalle de rinçage du transmetteur M300 suivant les conditions d'application.



Transmetteur M700

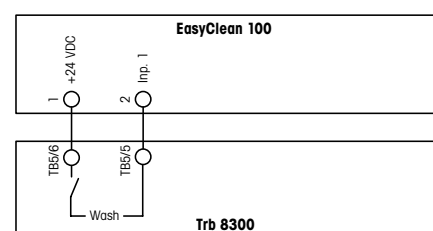
Configurer le relais de contact de commutation K3 (K1 ou K2) en relais de rinçage et en mode travail (NO).

Fixer le temps de rinçage du transmetteur et l'intervalle de rinçage suivant les conditions d'application.

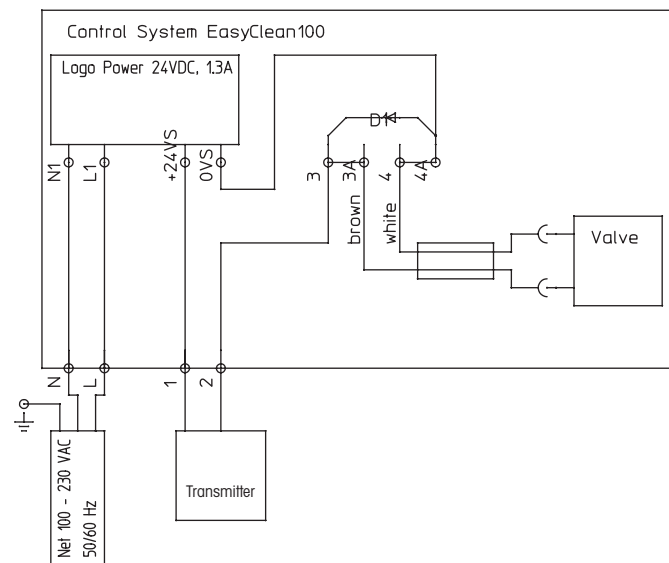


Transmetteur Trb 8300

Fixer le temps de rinçage et l'intervalle de rinçage du transmetteur Trb 8300 suivant les conditions d'application.



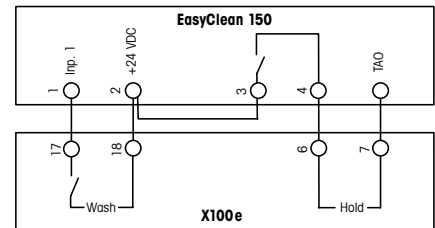
Raccordements électriques EasyClean 150 avec transmetteurs METTLER TOLEDO



Raccordements électriques

Transmetteur X100 e

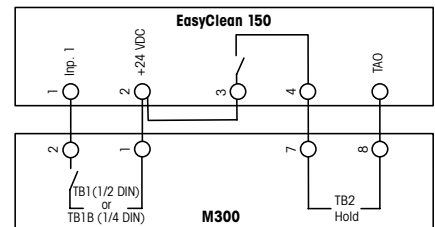
Fixer le temps de rinçage et l'intervalle de rinçage du transmetteur X100 e suivant les conditions d'application.



Transmetteur M300

Configurer le relais # 1 (préréglage) ou # 2, # 3, # 4 du transmetteur en relais de rinçage.

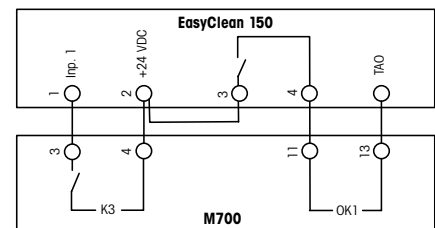
Fixer le temps de rinçage et l'intervalle de rinçage du transmetteur M300 suivant les conditions d'application.



Transmetteur M700

Configurer le relais de contact de commutation K3 (K1 ou K2) en relais de rinçage et en mode travail (NO).

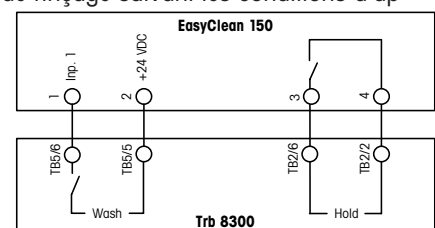
Fixer le temps de rinçage du transmetteur et l'intervalle de rinçage suivant les conditions d'application.



Transmetteur Trb 8300

Fixer le temps de rinçage et l'intervalle de rinçage du transmetteur Trb 8300 suivant les conditions d'application.

EasyClean 100 et 150, sont compatible avec les transmetteurs de METTLER TOLEDO. Pour une installation correcte avec d'autres transmetteurs veuillez consulter leurs mode d'emploi respectif.



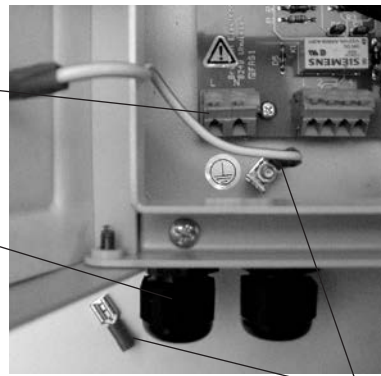
4.3 L'installation et la mise en service

EasyClean 100

1. Monter l'EasyClean sur un mur ou un poteau, de manière que les raccords soient dirigés vers le bas.
2. Raccorder le transmetteur à l'EasyClean (voir la section 4.2 «Raccordements»).
3. Raccorder l'air comprimé et l'amenée d'eau du site du client. Il y a lieu de s'assurer que la pression du fluide n'excède pas la pression spécifique de l'appareil (voir le chapitre 1.3 «Données et caractéristiques techniques»).
4. Raccorder les flexibles aux sorties d'air comprimé/eau et installer en conséquence les arrivées des supports.
5. Brancher le câble secteur.

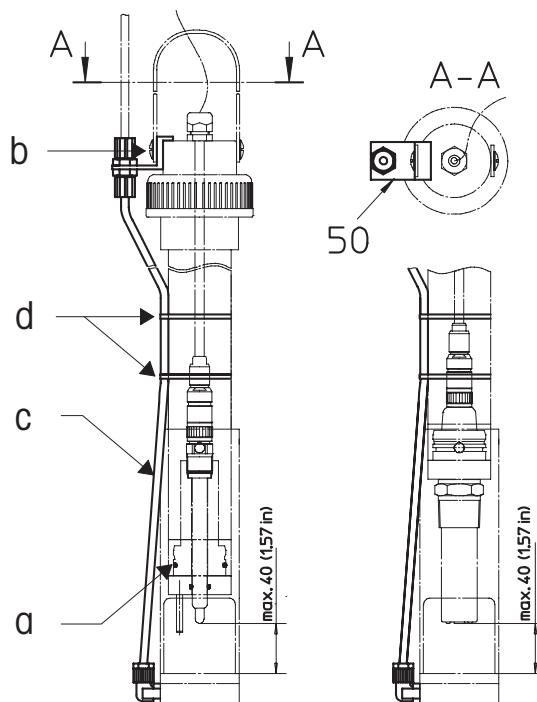
Bornes de câbles
pour fils N et L

Passage de câble



Pour connecter la masse avec la terre veuillez utilisé la cosse a profil plat jointe à l' EasyClean.

6. Montage de la tête de pulvérisation pour l'EasyClean 100



- a Emboîter la tête de pulvérisation sur l'extrémité à immerger du support In-Dip. La distance entre les ouvertures de sortie d'air et l'électrode doit être d'environ 1 cm.
- b Procéder comme suit pour installer le système de flexibles:
Desserrer une vis du collier de serrage du support InDip, et l'utiliser pour visser la pièce angulaire sur l'extrémité supérieure du support.
- c Procéder comme suit pour insérer le flexible entre la tête de pulvérisation et la pièce angulaire:
Libérer d'abord la vis du flexible.
Emboîter le flexible à la main sur le raccord fileté, sans utiliser d'outil, et serrer la vis.
- d Fixer le côté libre du flexible au tube du support InDip au moyen d'un serre-câble.

7. Contrôles avant mise en service:
 - L'air comprimé et l'eau de rinçage sont-ils correctement raccordés?
 - Toutes les liaisons par flexibles sont-elles soigneusement réalisées (sans pliures)?
8. Première mise en service de l'EasyClean 100
 - Raccorder l'EasyClean à l'alimentation secteur.
 - Ouvrir la vanne principale (si installée) d'air comprimé et/ou d'eau.
9. Commande via le transmetteur
 - S'assurer que les vannes sont bien activées par le signal du transmetteur.
—> Sortie d'air comprimé à la tête de pulvérisation.
 - Immerger la tête de pulvérisation dans l'eau et ajuster la quantité d'air au débit souhaité.
Le débit d'air peut être réglé par un manodétendeur.

EasyClean 150

1. Raccorder les flexibles comme expliqué à la section 3.3 «Intégration à un système de mesure».
2. Pour le raccordement correct au support rétractable, se reporter au mode d'emploi correspondant. Veiller à ce qu'aucun indicateur de position ne puisse être raccordé à l'EasyClean 150. On peut toutefois utiliser pour la supervision du fonctionnement des dispositifs de réponse, qui indiquent en permanence la position du capteur.
3. Contrôles avant mise en service:
 - L'air comprimé et l'eau de rinçage sont-ils correctement raccordés?
 - Toutes les liaisons par flexibles sont-elles soigneusement réalisées (sans pliures)?
4. Première mise en service de l'EasyClean 150
 - Raccorder l'EasyClean à l'alimentation secteur
 - Ouvrir la vanne principale (si installée) d'air comprimé et/ou d'eau.
 - Étendre et rétracter le support en appuyant sur le bouton **«In/Out»**.
 - En position étendue (maintenance), la DEL ne doit pas être allumée et le transmetteur doit être en mode de «MAINTIEN».
 - Appuyer sur le bouton-poussoir **«Water»** (eau) —> la vanne d'eau s'ouvre.
 - Relâcher le bouton-poussoir **«Water»** —> l'arrivée d'eau est coupée.
 - Appuyer sur le bouton-poussoir **«In/Out»** —> le support change la position.
5. Commande via le transmetteur
 - Activer le contact de lavage du transmetteur (voir le mode d'emploi du transmetteur).
 - S'assurer que les vannes sont bien activées par le signal du transmetteur.
—> Le déplacement du support et l'ouverture de la vanne d'eau doivent se faire simultanément.
 - L'intervalle de temps du contact de lavage se règle au transmetteur (voir le mode d'emploi du transmetteur).
 - Au terme de l'intervalle de temps, la vanne d'eau se ferme et le support revient en position de mesure.

5 **Fonctionnement**

5.1 **Contrôles par l'opérateur**

Avant mise sous tension, chaque jour et avant chaque changement d'équipe, s'assurer qu'une alimentation suffisante en: **air comprimé, eau de rinçage et énergie électrique** est garantie, et que le **support fonctionne correctement**.

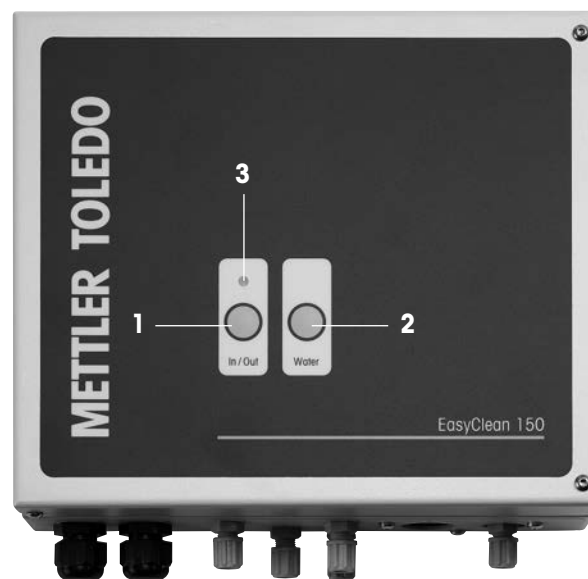
Pour d'éventuels travaux d'entretien au support, se reporter au mode d'emploi correspondant.

5.2 **Fonctionnement de l'EasyClean 100**

L'EasyClean 100 ne dispose d'aucun élément de commande. L'aptitude au fonctionnement ne peut être vérifiée que via le contact de lavage du transmetteur.

Si le fonctionnement ne peut plus être garanti, consulter le chapitre 6.2 «Dépannage de l'EasyClean 100».

5.3 **Fonctionnement de l'EasyClean 150**



- 1 **Appuyer sur la touche «IN/OUT»**
déplacement du support (avance, recul).
- 2 **Appuyer sur «Water»**
ouverture de la vanne d'eau (ne reste active que tant que l'on maintient la touche enfoncée).
- 3 **Affichage de l'état d'activité**
La DEL s'allume lorsque le support est en position mesure.

Fonctionnement de l'EasyClean 150

1. Les déplacements du support peuvent être commandés par le bouton **«IN/OUT»**.
2. Lorsque le support est en position d'entretien (hors processus), la DEL n'est pas allumée. La DEL indique seulement la position du bouton-poussoir pour la position du support. Aucune vérification directe de la position du support et du fonctionnement n'est possible. Lorsque la DEL n'est pas allumée, le transmetteur est en mode de «MAINTIEN».
3. Le rinçage à l'eau ne peut être activé qu'en position de maintenance (DEL allumée). Ce cycle se déroule tant que le bouton est enfoncé. Aucune minuterie n'est donc activée.

5.4 En cas de coupure de courant

EasyClean 100

Coupure de courant

En cas de coupure de courant, toutes les fonctions de l'EasyClean 100 sont neutralisées, sans impact sur la mesure. L'EasyClean 100 est inactif. Ceci signifie que:

- l'électrode continue la mesure. Si le transmetteur est encore sous tension, les résultats de mesure sont utilisables.
- la fonction de rinçage est neutralisée. Aucun rinçage de l'électrode n'est plus possible.



REMARQUE

Après restauration de l'alimentation électrique, le système est automatiquement remis en l'état spécifié par le transmetteur.

EasyClean 150

Coupure de courant

Les vannes de l'EasyClean sont, hors courant, dans les positions suivantes

- Vanne d'eau: fermée
- Vanne d'air: le support et/ou le capteur quittent le processus et le transmetteur passe en mode de «MAINTIEN»



REMARQUE

Lorsque l'alimentation électrique de l'EasyClean 150 est restaurée, le support revient toujours en position de mesure.

Coupure de la pression d'air

Lorsque la pression d'air tombe, le capteur demeure dans sa dernière position.



REMARQUE

Si le support est en fonctionnement, il peut être forcé en position de maintenance par la contre-pression. Le transmetteur continue alors la mesure. Etant donné que l'on ne dispose d'aucune indication sur la position du support, l'EasyClean 150 ne reconnaît pas la position du support. Une chute de la pression d'air n'a donc aucune influence sur la mesure.

6 Maintenance et dépannage

Pour toutes questions relatives à des dérangements ou des réparations, s'adresser au service clientèle local de METTLER TOLEDO. Les adresses figurent à la fin des présentes instructions d'utilisation.

6.1 Maintenance

L'EasyClean 100/150 nécessite quelque peu d'entretien.

Pour éliminer la poussière, les saletés et les taches, on pourra essuyer les surfaces extérieures de l'appareil au moyen d'un chiffon doux mouillé d'eau. Si nécessaire, on pourra également utiliser un détergent doux.



ATTENTION

Ne jamais nettoyer le boîtier au moyen de solvants contenant de l'acétone.

En ce qui concerne le reste du nettoyage (par exemple soufflage de la carrosserie à l'air comprimé, on pourra utiliser de l'air comprimé filtré exempt d'huile (pression < 6 bar).



ATTENTION

L'intérieur du boîtier ne peut être nettoyé avec des liquides ni avec des chiffons humides.

La tête de pulvérisation est en PVC ou en PVDF. Pour éliminer les souillures, utiliser des acides ou des bases dilués.

6.2 Dépannage et maintenance



DANGER

Voir le chapitre 2 «Sécurité».

Les travaux de maintenance ne peuvent être effectués que par un personnel spécialisé. Avant d'ouvrir l'appareil, il est impératif de le déconnecter de sa source d'alimentation électrique!

EasyClean 100

Problème	Cause(s) possible(s)	Remède
Pas de formation de bulles au support InDip	Air comprimé non enclenché. Pression d'air trop faible. La vanne pneumatique ne s'ouvre pas. Flexibles d'air mal installés (étranglés) ou défectueux. Tête de pulvérisation bouchée.	Activer la pression d'air. Augmenter la pression. Nettoyer la vanne. Vérifier si les flexibles ne présentent pas de fuites, de plis ou d'éventuels étranglements. Nettoyer la tête de pulvérisation.
Nettoyage insuffisant de l'électrode	Débit d'air insuffisant. Intervalle de rinçage trop long et/ou temps de rinçage trop court. Orifices bouchés à la tête de nettoyage. Les bulles n'atteignent pas l'électrode.	Augmenter le débit ou nettoyer les lignes et la tête de pulvérisation. Raccourcir l'intervalle au transmetteur, augmenter les temps de rinçage. Démonter et nettoyer la tête de pulvérisation. Diminuer la distance entre la tête de pulvérisation et la pointe de l'électrode. Placer le support à immersion en un endroit à moindre débit. Augmenter la pression.
Le rinçage ne démarre pas (mode auto et/ou manuel)	L'intervalle de rinçage du transmetteur n'est pas reconnu par l'appareil. La vanne ne reçoit pas d'alimentation.	Vérifier le câblage à l'aide du schéma de câblage. Vérifier l'alimentation électrique.

EasyClean 150

Problème	Cause(s) possible(s)	Remède
Le support InTrac ne se déplace pas. Le capteur n'est pas activé ou désactivé	Pression d'air non enclenchée. Pression d'air trop faible. La vanne pneumatique ne s'ouvre pas. Flexibles d'air mal installés ou défectueux.	Activer la pression d'air. Augmenter la pression (voir les spécifications). Nettoyer la vanne. Vérifier si les flexibles ne présentent pas de fuites, de plis ou d'éventuels étranglements.
Le support InTrac se désactive de lui-même	Pression de l'air comprimé < pression de processus. Chute de pression subite.	Augmenter la pression d'air (voir les spécifications). Vérifier l'étanchéité des raccords et des flexibles.
Rinçage insuffisant de l'électrode	Débit d'eau insuffisant. intervalle de rinçage trop longue. Temps de rinçage trop courts. Chambre de rinçage encrassée.	Augmenter le débit. Raccourcir l'intervalle au transmetteur. Augmenter les temps de rinçage. Démonter et nettoyer le support.
La DEL ne s'allume pas.	DEL défectueuse / fonctionnement normal de l'appareil.	Aucun effet sur la fonctionnalité.
Le transmetteur ne passe pas en mode de «HOLD»	Relais de maintien défectueux. Branchements détachés ou incorrects au transmetteur.	Faire appel à un spécialiste. Vérifier les branchements et les réinstaller si nécessaire.
Impossible d'activer le rinçage	Le support est en position de mesure. Touche de rinçage défectueuse. Vanne d'eau défectueuse. Pas de débit d'eau.	Impossible de rincer en position de mesure. Vérifier le câble. Contactez votre vendeur. Nettoyer la vanne d'eau. Remplacer si nécessaire. Vérifier l'alimentation de l'EasyClean 150.
Le rinçage ne démarre pas (mode auto et/ou manuel)	L'intervalle de rinçage du transmetteur n'est pas reconnu par l'appareil. La vanne ne reçoit pas d'alimentation.	Vérifier le câblage à l'aide du schéma de câblage. Vérifier l'alimentation électrique.

7 **Mise hors service, entreposage, rejet**



DANGER

Voir le chapitre 2 «Sécurité».

La mise hors service ne peut être entreprise que par un personnel adéquatement formé ou par des spécialistes.

7.1 **Mise hors service**

Procédure

1. Couper les alimentations locales en électricité, air comprimé et eau.
2. Déconnecter l'appareil du secteur.
3. Déconnecter les lignes de signalisation installées.
4. Déconnecter les lignes d'air comprimé.
5. Démonter l'EasyClean de sa fixation.
6. Rincer les flexibles et les vannes à l'eau claire.
7. Nettoyer l'appareil au moyen d'un chiffon humide.
8. Laisser sécher l'appareil.

7.2 **Entreposage**

Entreposer l'EasyClean en un endroit sec, selon les indications du chapitre 1.3.

7.3 **Protection de l'environnement**



Les produits électriques usagés ne devraient pas être jetés avec les déchets ménagers. Merci de les déposer dans les points de collecte afin qu'ils soient recyclés. Contactez vos autorités locales ou votre vendeur pour obtenir des conseils en matière de recyclage.

8 Pièces de rechange et accessoires

Prière de compléter les indications suivantes pour les commandes de pièces de rechange:

- numéro d'article de l'appareil
- numéro de série de l'appareil
- numéro de commande de la liste de pièces de rechange ci-après
- nombre de pièces souhaité.

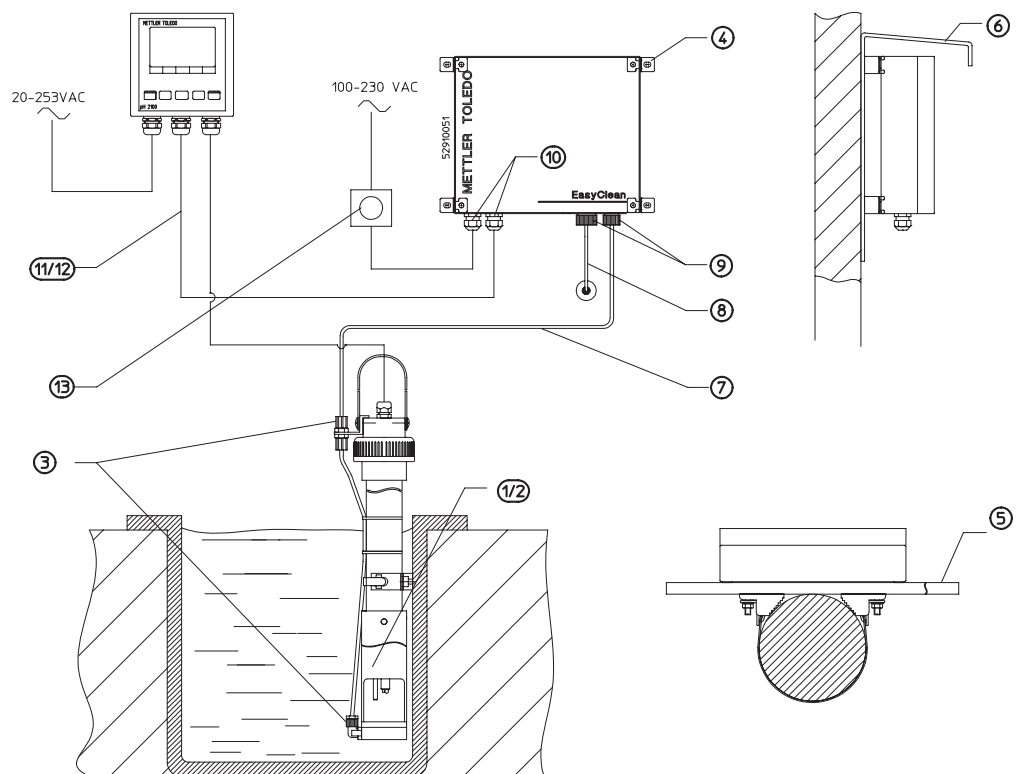
Les adresses du constructeur et du service clientèle figure à la fin de ce manuel.

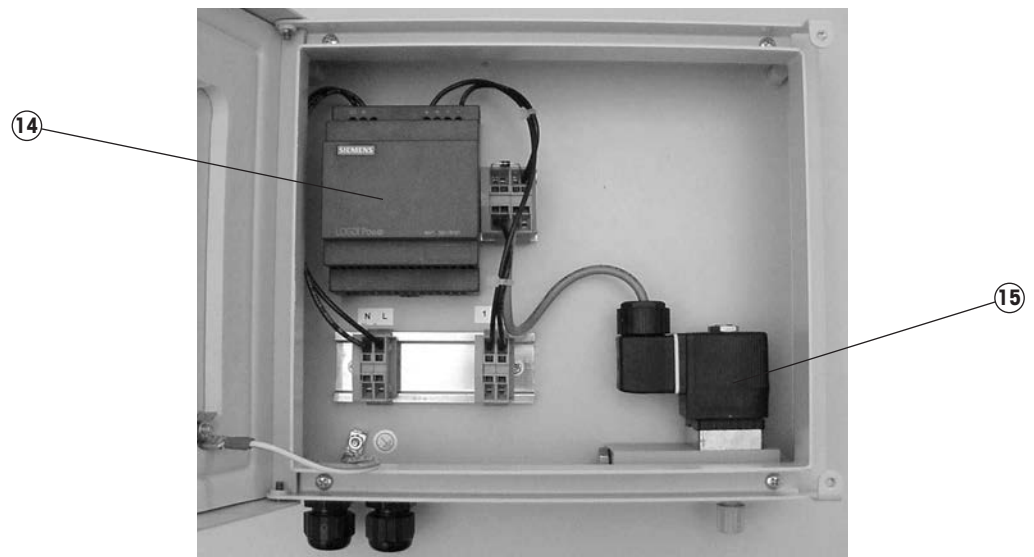


REMARQUE

Les pièces de rechange doivent être conformes aux exigences techniques du constructeur de l'appareil! Utiliser exclusivement des pièces d'origine.

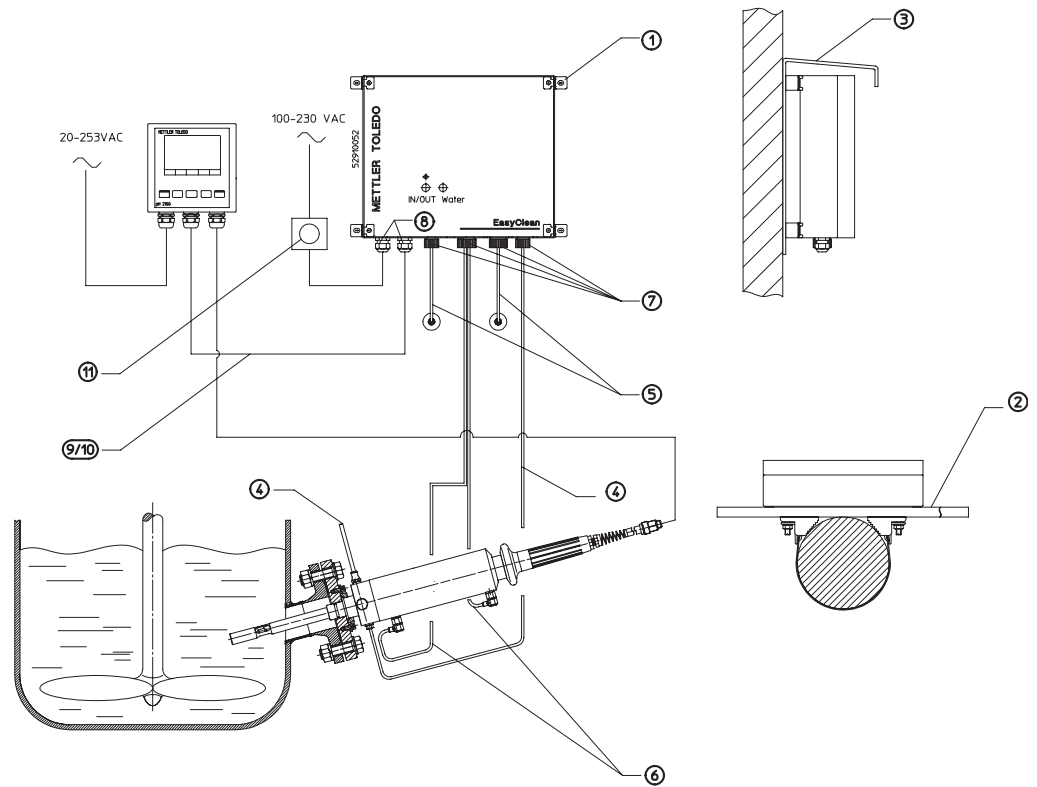
8.1 Liste des pièces de rechange et accessoires pour EasyClean 100





Pos.	N° Art.	Description
1	52 402 291	Tête de pulvérisation pour InDip550/PVC
2	52 402 290	Tête de pulvérisation pour InDip550/PVDF
3	52 402 370	Kit d'adaptation pour la tête de pulvérisation
4	52 402 306	Kit de fixation murale, complet
5	52 402 308	Kit de fixation poteau, complet
6	52 402316	Kit de protection contre les intempéries
7	52 402 283	Flexible PTFE Ø 6/4 mm, longueur 5 m
8	52 402 314	Flexible LDPE Ø 6/4 mm / 20 m pour raccordement d'air comprimé
9	52 402 337	Kit de montage pneumatique/hydraulique
10	52 402 336	Kit de passage de câble
11	52 300 265	Câble de liaison appareil de commande > transmetteur (5 m)
12	52 300 266	Câble de liaison appareil de commande > transmetteur (10 m)
13	52 402 317	Bouton d'arrêt d'urgence
14	52 402 305	Bloc d'alimentation
15	52 402 309	Vanne hydraulique
	52 500 178	Mode d'emploi EasyClean 100/150

8.2 Liste des pièces de rechange et accessoires pour EasyClean 150



Pos.	N° Art.	Description
1	52 402 306	Kit de fixation murale, complet
2	52 402 308	Kit de fixation poteau, complet
3	52 402316	Kit de protection contre les intempéries
4	52 402 283	Flexible PTFE Ø 6/4 mm, longueur 5 m
5	52 402 314	Flexible LDPE Ø 6/4 mm / 20 m pour raccordement d'air comprimé
6	52 401 322	Flexible pneumatique PU, Ø 6/4 mm, 10 m
7	52 402 337	Kit de montage pneumatique/hydraulique
8	52 402 336	Kit de passage de câble
9	52 300 265	Câble de liaison appareil de commande > transmetteur (5 m)
10	52 300 266	Câble de liaison appareil de commande > transmetteur (10 m)
11	52 402 317	Bouton d'arrêt d'urgence
12	52 402 305	Bloc d'alimentation
13	52 402 338	Carte électronique EasyClean 150
14	52 402 309	Vanne hydraulique
15	52 402 320	Vanne pneumatique
	52 500 178	Mode d'emploi EasyClean 100/150 (de/en/fr)

For addresses of METTLER TOLEDO
Market Organizations please go to:
www.mt.com/contacts

www.mt.com/pro

For more information



Management System
certified according to
ISO 9001/ISO 14001



METTLER TOLEDO Group
Process Analytics
Local contact: www.mt.com/contacts

Subject to technical changes
© 05/2023 METTLER TOLEDO
All rights reserved
Printed in China. 52 500 178 C



* 5 2 5 0 0 1 7 8 C *