

Increased Flexibility Enhanced Automatic Wrapping



Quality Wrapping

Improve the packaging quality of your meat trays with the 865's fully automatic wrapping capabilities. A single heat bar ensures the film is firmly sealed safely and with no loose ends. Clear arrows on the machine assist operators in centering the package. The 865 is programmable to the "package level" for optimal film usage and label design.



Flexibility

Right side, left side, top, bottom or underneath—operators have total flexibility with manual label placement. The 865's high-definition printer offers compliant labels with high-quality text and logos. Additionally, the 865's out-feed table can fold up for more space to weigh and print labels for items that are too large for automatic wrapping.



Speed

With automatic wrapping speeds of up to 25 packages per minute, the 865 Semi-Automatic Wrapper is the fastest wrapping machine in its class. Less time spent wrapping packages allows for more time spent assisting customers and fulfilling other store duties.



Space Saving Design

With a footprint of only 19 ft², the 865 Semi-Automatic Wrapper saves space in the backroom. Operators can load and empty trays, change label rolls and change the film all from the front of the machine. Users can perform the wrapping process from start to finish ergonomically in a limited space.



865 Semi-Automatic Wrapper

Automatic wrapping, manual labeling

The METTLER TOLEDO 865 Semi-Automatic Wrapper is the perfect choice for grocery retailers looking for the efficiency of automatic weighing and wrapping, and the flexibility of manual label placement. This robust semi-automatic system is intuitive and easy to use, even for first time operators. Step-by-step on-screen prompts guide users through simple tasks, such as changing the roll of film and daily cleaning routines. The 865 integrates seamlessly with all METTLER TOLEDO networked equipment, offering total visibility throughout your enterprise.

- Wrapping speed of 25 trays per minute
- High-speed label printing of 6 inches per second
- Intuitive user interface with touchscreen and tactile keyboard
- Easy to clean, hygienic design
- Quick and easy film and label changing
- Small footprint of 19 ft²

The Ideal Choice for Semi-Automatic Solutions

The high-performance 865 Semi-Automatic Wrapper is perfect for retailers that demand excellent wrapping quality and the flexibility of manual label placement. Robust, intuitive and efficient, 800 Series wrapping machines support weighing, wrapping and labeling for optimized backroom processes.



Technical data

865 Semi-Automatic Wrapper

Speed

25 packs per minute

Tray Sizes

2, 2S, 4D, 4S, 4H, 8S, 8H, 10S, 10P, 16S, 20S, 42, 10K, 1FT, 1.5FT, 9FT

Film

METTLER TOLEDO Certified Film CF-10
20" width

Footprint (ft²)

19 ft²

Configuration

Exit front

Weighing Capacity

0.7 oz.–33 lb.

Weighing Range

0–13 lb./13–33 lb.

Machine Weight

850 lb.

Operating Range

40° F–95° F (5° C–35° C)

Label Sizes

(Manual Application)

1.1"–4.1" length
1.4"–3.1" width
9" label roll capacity

Labeler Options

Single printer, front right

Electrical

208 or 240 VAC, single phase,
50–60Hz, 3 kVA, 15 A

Controller

Embedded Linux OS
Compact Flash Memory

Network Interface

Wired Ethernet
Wireless upgrade available

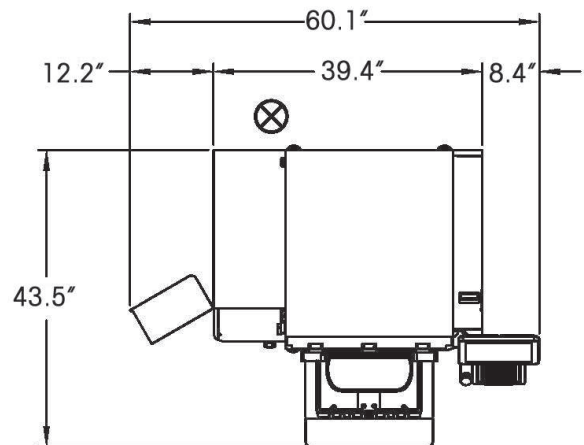
Display/Keyboard

12.1" color LCD touchscreen
Tactile keypad

PLU Presets

300

Dimensions in inches



www.mt.com/retail

For more information



METTLER TOLEDO Group

Retail Division
Local contact: www.mt.com/contacts



Subject to technical modifications
© 09/2019 METTLER TOLEDO. All rights reserved
Document No. 30458466
MarCom Industrial

