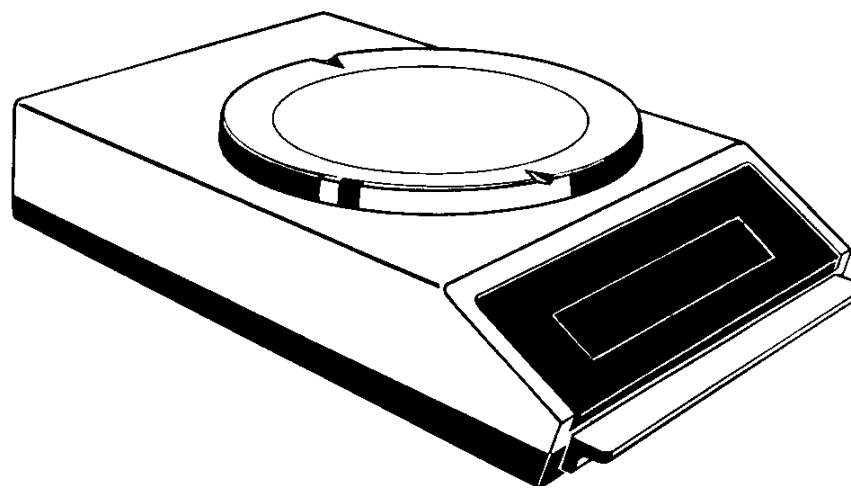


Operating Instructions
Bedienungsanleitung
Mode d'emploi
Instrucciones de manejo

METTLER TOLEDO

PE200
PE400
PE2000
PE4000



OPERATING INSTRUCTIONS

Page 2

English

BEDIENUNGSANLEITUNG

Seite 20

Deutsch

MODE D'EMPLOI

Page 38

Français

INSTRUCCIONES DE MANEJO

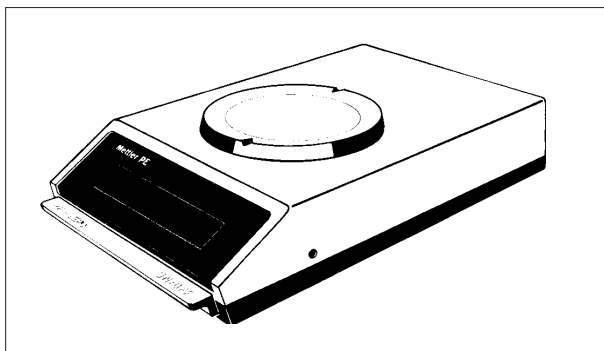
Página 56

Español

AVAILABLE MODELS

These Operating Instructions apply to all models of the METTLER TOLEDO PE Series introduced on these pages. The operation of the balances is virtually identical. The differences are only apparent in their weighing range, readability and size of the weighing pan.

PE balances are equipped with METTLER TOLEDO DeltaDisplay, a special display mode for weighing in.

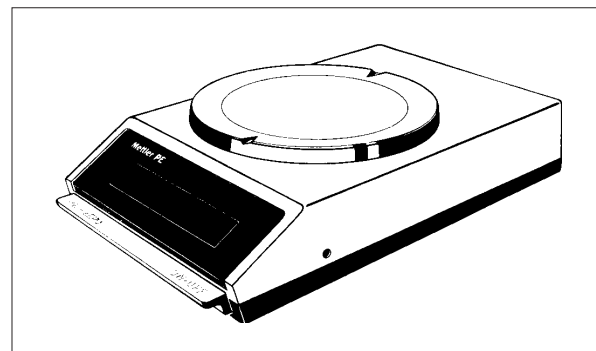


PE200

Weighing range 210 g
Readability 0.01 g

PE400

Weighing range 410 g
Readability 0.01 g

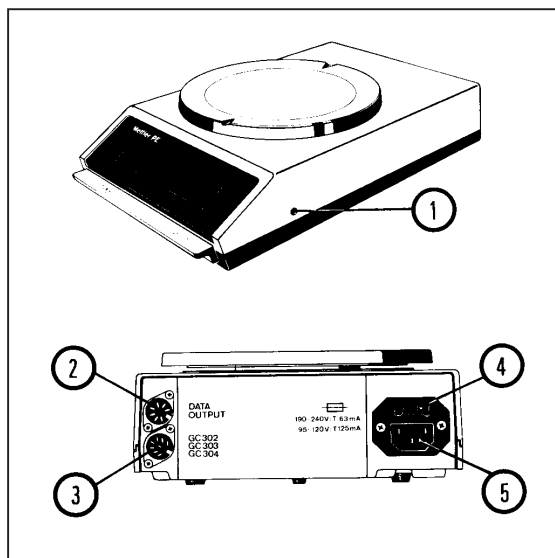


PE2000

Weighing range 2100 g
Readability 0.1 g

PE4000

Weighing range 4100 g
Readability 0.1 g



Operating components and connections

- 1 Calibration screw
- 2 Connection socket for Data Output (Option 05)
- 3 Connection socket for GC302, GC303 and GC304
Application Input Units
- 4 Fuse holder with back-up fuse
- 5 Power cable receptacle

TABLE OF CONTENTS

Page

Preparation

- How to check the voltage setting 4
- How to position the weighing pan and set up the balance 5

Operation

- How to switch the balance on or off 6
- How to calibrate the balance 7
- How to make a weight determination or tare the balance 8
- How to weigh in with DeltaDisplay 9
- How to weigh out and make weight comparisons 10

Additional features

- Unstable or restless weighing objects; weighing below the balance 11
- Application Input Units; 05 Data Output 12

Peripheral instruments (for 05 Data Output)

13

Accessories

14

Care and Maintenance

- How to replace the in-use cover and the fuse 15
- Maintenance and calibration 16

What if ...

17

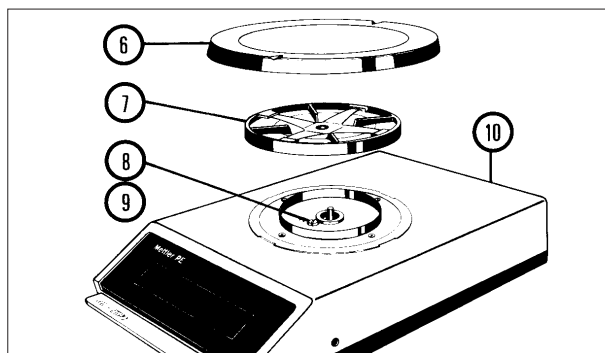
Technical specifications

18

PREPARATION: How to check and correct the preselected voltage

The voltage selected for the balance must agree with the power line voltage. Before placing the balance in operating for the first time, check and if necessary, correct the voltage setting.

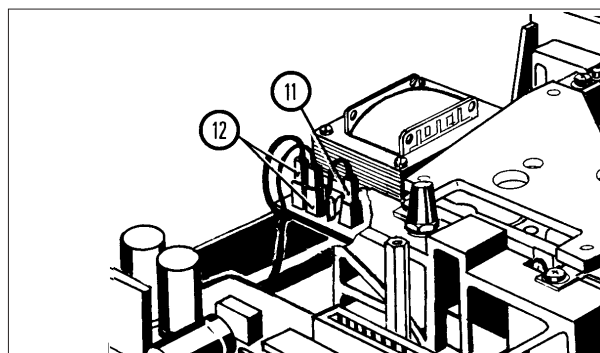
The factory setting is indicated on a label at power cable receptacle (5). If the indicated voltage agrees with that of the local power supply line, this page can be disregarded. If the voltage does not agree with the local power supply voltage, or if the label is missing, open the balance housing, check the position of the voltage selector and change it, if necessary. To do this, proceed as follows:



Opening the balance housing

Make sure the power cord is not connected

- Remove weighing pan (6) and pan support (7), if they are already installed.
- Remove screw (8) and put aside toothed ring and washer (9).
- Carefully lift off upper part of housing (10) together with in-use cover, if the latter is installed.

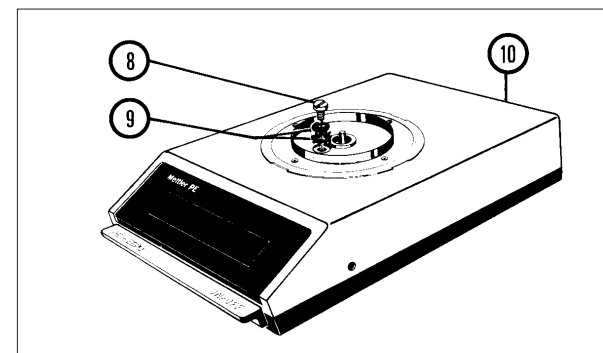


Voltage selector next to weighing cell

- Check to make sure that voltage selector plug (11) is attached to the pin which designated your local power supply voltage.
- If necessary, disconnect voltage selector plug (11) and attach it to the pin designated with your local power supply voltage.
- Admissible operating voltages:
 - 95 V, 105 V { insert
 - 110 V, 120 V { 125 mA microfuse
 - 190 V, 210 V { insert
 - 220 V, 240 V { 63 mA microfuse

Note: when changing the power supply voltage setting from 95...120 V to 190...240 V (or vice versa), make sure that the microfuse is also changed.

- The two connectors (12) must not be interchanged.



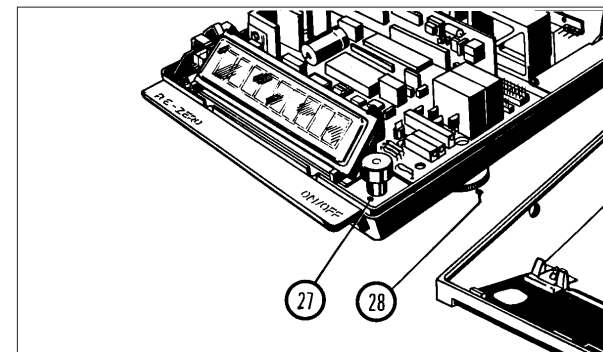
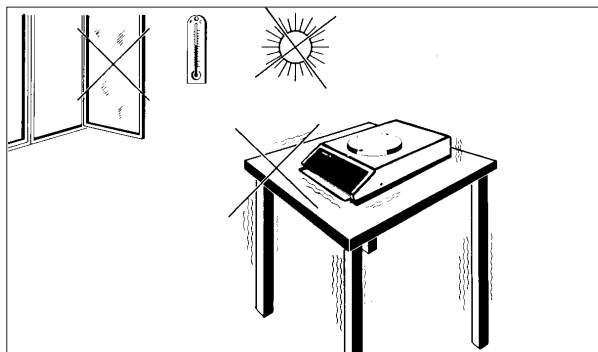
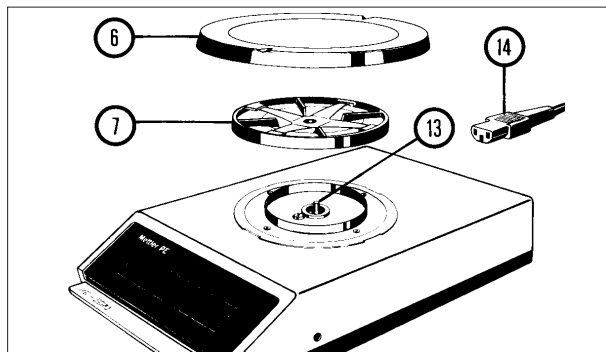
Closing the balance housing

- Carefully place upper part of housing (10) from top onto balance.
- First position toothed ring, then regular washer (9).
- Screw in and tighten screw (8).

PREPARATION: How to install the weighing pan and set up the balance

Installing the pan support and weighing pan is always done in the same manner, regardless of whether the in-use cover is installed or not.

Every PE balance provides reliable results, even under less than favorable environmental conditions. However, it is best to select a location that is stable, and not exposed to sunshine or to drafts (fast, stable display).



Installing the weighing pan

- Place pan support (7) on conical peg (13).
- Place weighing pan (6) on pan support.
- Connect power cable (14).

Location

- Solid, vibration-free support.
- No excessive temperature fluctuations.
- Avoid exposure to direct sunlight.
- Avoid drafts.

If it is absolutely necessary to work under less favorable conditions, consult section "ADDITIONAL FEATURES: Switching the integration time".

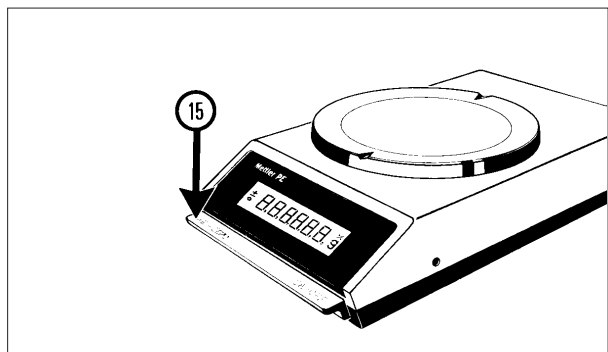
Level indicator field installation kit

This level indicator field installation kit was developed for PE balances which are moved frequently to new locations. With the level indicator, the PE balance can be leveled at every new location. Its efficiency is therefore increased. The field installation kit contains 2 foot screws (28) and 1 level indicator (27). METTLER TOLEDO Service can also be called on for this installation. Order No. see page 14.

OPERATION: How to switch the balance on or off

If you use your PE balance several times a day, it is best to leave it switched on all day long. This way, a constant operating temperature can be reached and weighing accuracy is increased.

It is also recommended that the balance be switched on some time before you begin to work with it (warm-up time).



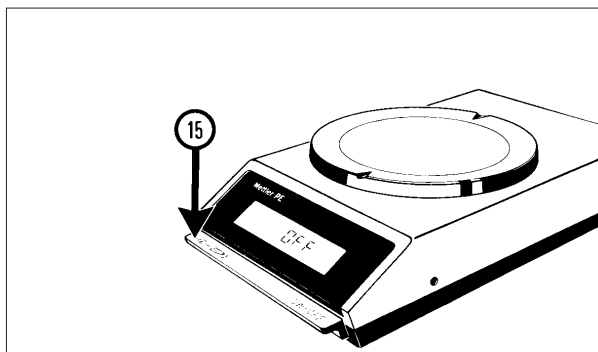
Switching the balance on

- Briefly press single control bar (15): all display elements light up for a few seconds.

± 888888.8 g

This will allow you to make a function check of the display. Then the zero display lights up with as many decimal places as are provided by the accuracy of your balance model,

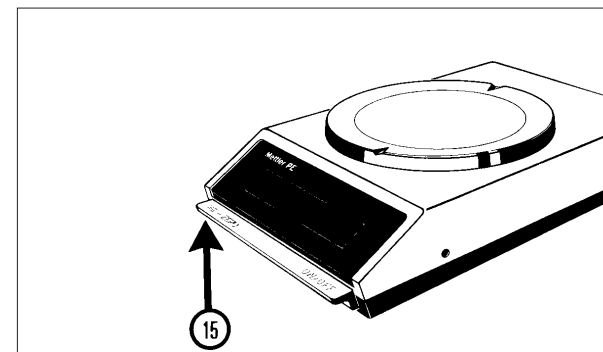
- i.e. 0.00 g for the PE200, PE400
- 0.0 g for the PE2000, PE4000



Display indicates OFF

If the power supply is interrupted during operation, the display will indicate "OFF" as soon as power is restored.

At that time, you must briefly press single control bar (15).



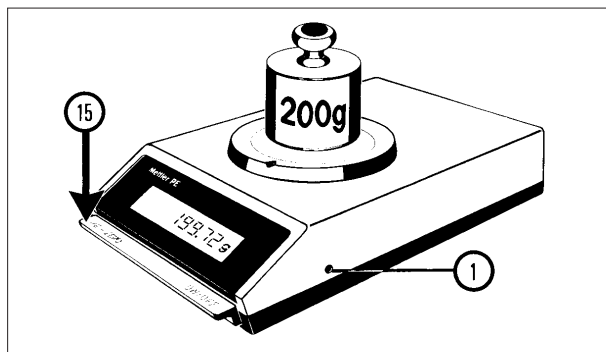
Switching the balance off

- Lift single control bar (15).

OPERATION: How to calibrate the balance

Your balance must be calibrated (i.e., set to the correct weight indication) every time its location is changed; this is the only way to ensure accurate weighings. Before being calibrated, the balance must be left switched on for at least 30 minutes (warm-up time).

Depending on your balance model, you will need certain test weights for calibration. These are listed under "ACCESSORIES, Optional equipment" for each balance model. The test weights must always be handled carefully; they should not be picked up with your bare hands.



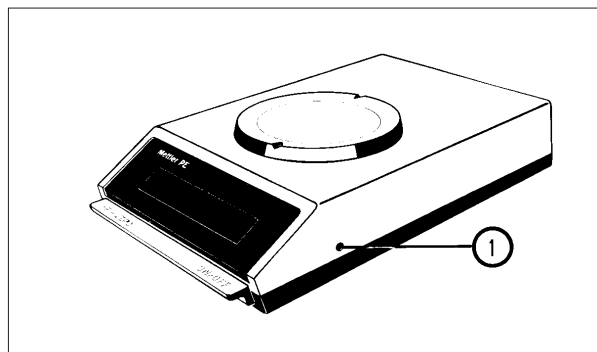
Checking the calibration

- Press single control bar (15): display will indicate zero.
- Place test weight on pan, read indication on display.

If the result displayed by the balance corresponds to the weight indicated on the test weight down to the last decimal, your balance is O.K. If not, it must be calibrated.

Using calibration screw (1), adjust calibration as described in the adjacent column.

Recheck calibration after every correction (see column at right).

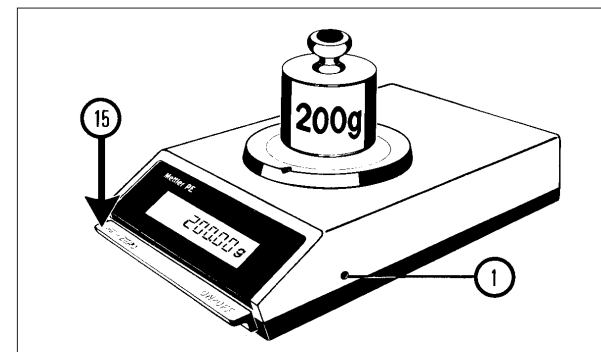


Adjusting the calibration

- Place test weight on pan, press single control bar.
- Remove test weight from pan.
- Turn calibration screw (1):
 - Clockwise, if the indicated weight value is larger than the test weight;
 - Counterclockwise, if the indicated weight value is smaller than the test weight.

With each turn of the screw, the calibration is changed by about:

0.16 g for the PE200, PE400 (test weight 200 g),
1.6 g for the PE2000, PE4000 (test weight 2000 g).



Rechecking the calibration

After every correction made with calibration screw (1), the calibration must be rechecked:

- Press single control bar (15), display will indicate zero.
- Place test weight on pan and read result.

If the result now displayed by the balance corresponds to the weight indicated on the test weight down to the last decimal, your balance is ready for use.

If not, continue adjusting calibration screw (1) until the balance is correctly calibrated.

OPERATION: How to make a weight determination or tare the balance

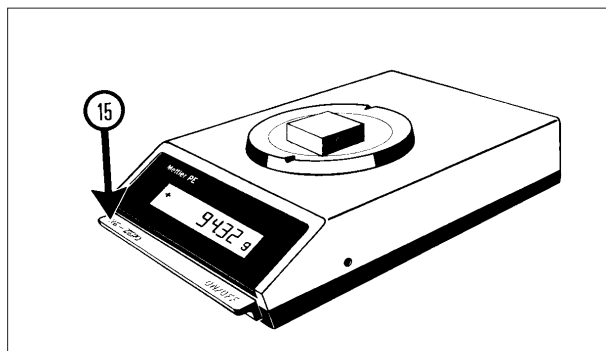
In PE balances, the readability is the same throughout the entire weighing range.

Automatic rounding of the last digit increases the accuracy of your PE balance even more.

Taring means that the display is reset to zero while a weight (such as a container) is on the weighing pan.

This way, the balance will automatically subtract the weight of the container from the total weight when an object or substance is weighed in. In that case, the balance only displays the weight of the weighed-in object.

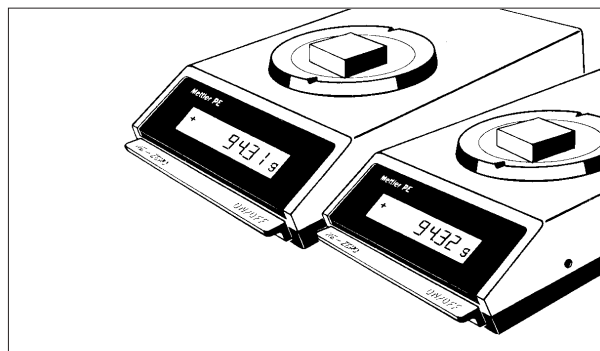
However, the combined weight of container and the object may not exceed the overall weighing range.



Weighing

- Briefly press down single control bar (15) to set the display to zero.
- Place weighing object on pan.
- Read weight display.

If the weighing range is exceeded, the display is blanked out except for the upper horizontal segments of the numbers. The balance thus indicates that it is overloaded.



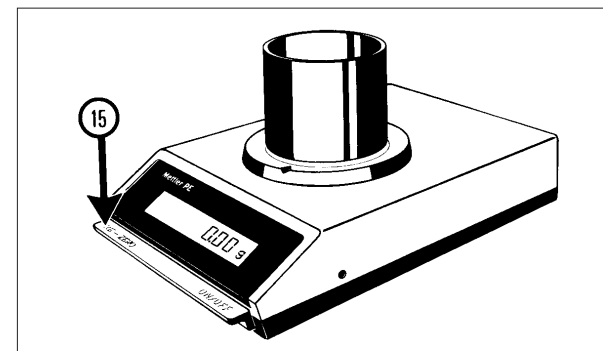
Display accuracy (result rounding)

Your balance always measures one more decimal place than it actually displays. This last, invisible digit is then rounded off according to the 4/5 principle.

Example:

The balance measures 94.314 g,
but displays 94.31 g

or
the balance measures 94.315 g,
but displays 94.32 g.



Taring

- Place container on weighing pan: balance will indicate its weight.
- Briefly press down single control bar (15), thus taring the balance: display now indicates zero.

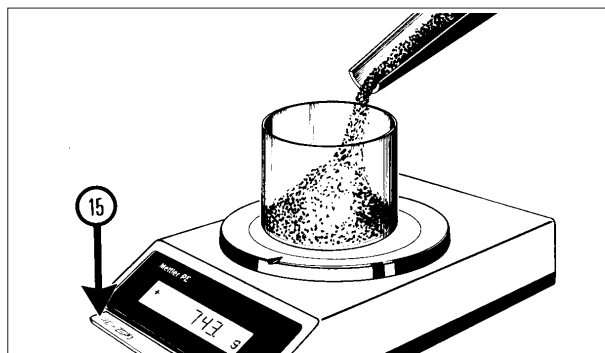
The entire weighing range (minus the weight of the container) is now available for weighing in.

If DeltaDisplay is switched on (see next page), and if the balance is tared before achieving stability, the entire display is blanked out until stability is reached; only then will zero appear.

OPERATION: How to weigh in

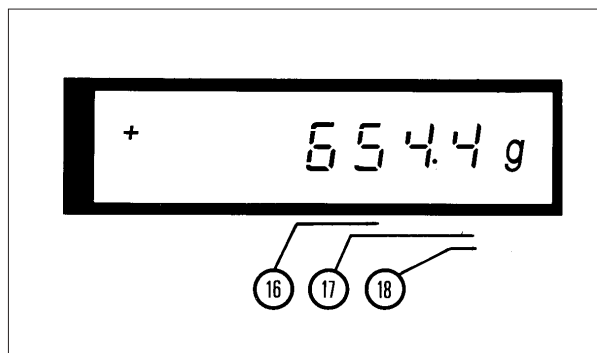
Weighing-in means to fill loose or liquid objects into a container on the pan until a desired weight (target weight) is reached.

All PE balances are equipped with DeltaDisplay which considerably simplifies weighing in. To help you follow the weight changes, the display sequence speeds up automatically and the last decimal place of the display is blanked out. A stability detector is switched on along with the DeltaDisplay and it blocks the data output until the weighing result is stable enough. DeltaDisplay and stability detector can be switched off from within the balance (see also "ADDITIONAL FEATURES OF PE BALANCES").



Weighing-in

- Place container on pan.
- Tare (15): Balance will now indicate zero.
- Fill in weighing objects until desired target weight is reached.

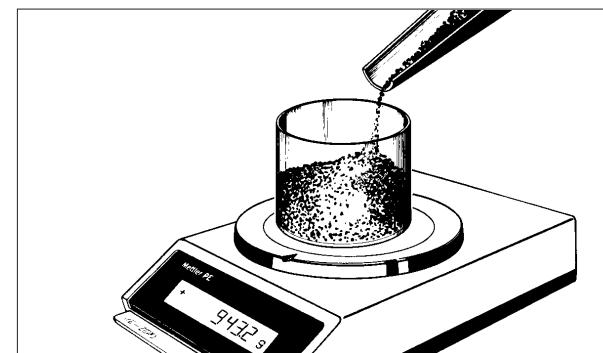


Reading the result

While filling in at a steady and fairly rapid pace until you reach the vicinity of the target weight, watch only the first two digits (16).

During fine weighing-in to the actual target weight, watch primarily the digits at right (17).

When the weight increases rapidly, there is also an automatic increase in the display speed and the last digit (18) is temporarily blanked out. It reappears again when fine weighing-in is resumed.



Weighing-in several components

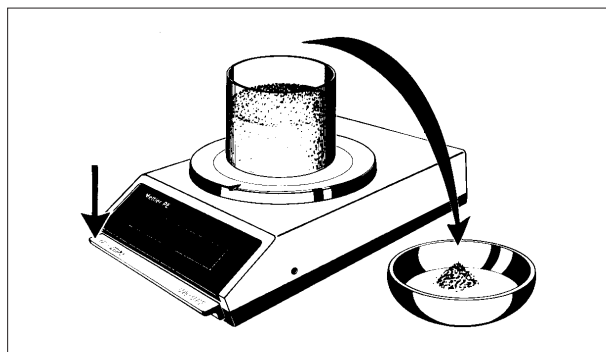
If different objects are to be weighed in one after the other, the operator can tare after each component. This way, every new weighing can start from zero. This procedure can be continued until the combined weight of the container and of the weighing objects reaches the end of the total weighing range of the balance:

- PE200 210 g
- PE400 410 g
- PE2000 2100 g
- PE4000 4100 g

OPERATION: How to weigh out; how to read deviations from a reference weight

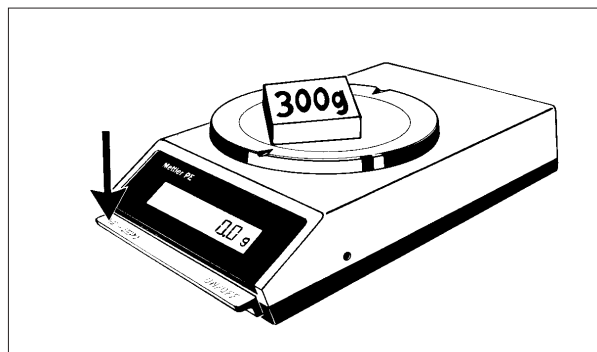
It is also possible to tare out a container filled with weighing objects. Thus the weighing-in process can be reversed and it is just as feasible to weigh out objects from a previously weighed full container.

Likewise, it is possible to tare a target weight (reference weight). This way, deviations from the reference weight can be read directly.



Weighing out

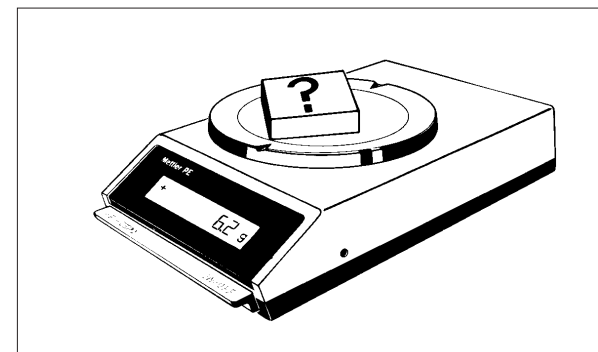
- Place container with weighing object on pan.
- Tare: Balance will now indicate zero.
- Remove material from container:
The weight of the removed material will now be displayed with the minus sign in front.



Entering a reference weight

- Place reference weight on pan (weight piece or sample).
- Tare: Balance will now indicate zero.
- Remove reference weight.
The reference weight will now appear in the display with the minus sign in front.
Example: -300.0 g

Deviations from this reference weight can now be read directly:



Determining a deviation

- Place object that is to be compared with reference weight on pan.

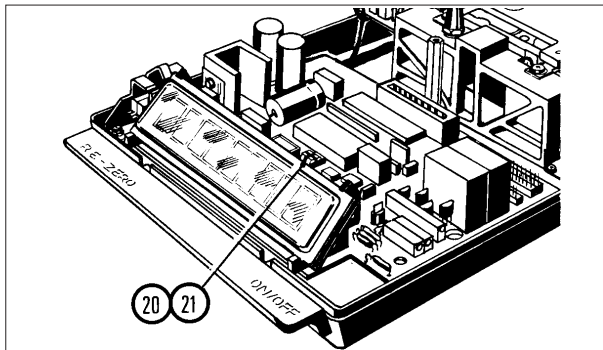
If the object is heavier, the actual deviation is indicated on the display with the positive sign in front, because:
 $-300.0 \text{ g} + 306.2 \text{ g} = +6.2 \text{ g}$

If the object is lighter, the actual deviation is indicated with the negative sign in front, because:
 $-300.0 \text{ g} + 294.2 \text{ g} = -5.8 \text{ g}$

ADDITIONAL FEATURES OF PE BALANCES: Restless weighing objects; weighing below the balance

All PE balances are shipped with the DeltaDisplay switched on. In case of rapid weight changes, the display changes are automatically increased and the last digit is temporarily blanked out. The DeltaDisplay can be switched off by an internal switch. In addition, the integration time can be doubled. In this case, display changes are only half as fast. This makes it possible to adapt PE balances to difficult conditions and to stabilize restless displays to the correct value.

All PE balances are equipped for weighing below the balance.



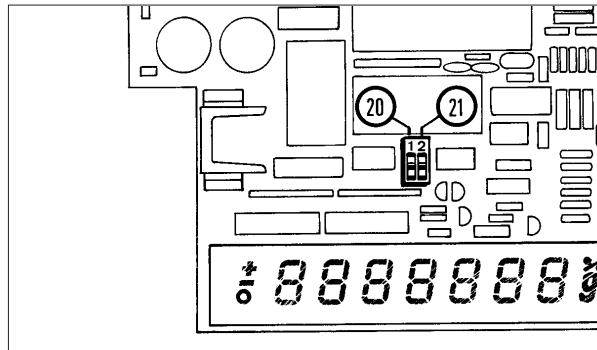
Switching DeltaDisplay and integration time

If restless objects have to be weighed (e.g., live animals) or if weighing must be made under conditions of external instability (i.e., drafts), the result can be stabilized by switching of DeltaDisplay and doubling the integration time.

This procedure can also be handled by METTLER TOLEDO Service.

- Disconnect power cable.
- Open balance housing (see page 4, "PREPARATION; How to check the voltage setting").

Switches (20) (21) for DeltaDisplay and integration time are located directly behind the display.

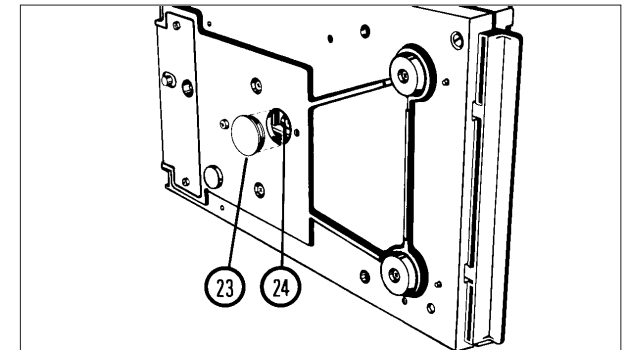


Slide switch (20) at left controls DeltaDisplay and stability detector.

- DeltaDisplay and SD on: Switch is at the stop nearer to the display.
- DeltaDisplay and SD off: Switch is at rear stop.

Slide switch (21) at right is used to adjust the integration time:

- Short integration time: Switch is at the stop nearer to the display.
- Long integration time: Switch is at rear stop.
- Close balance housing (see under "PREPARATION: How to check the voltage setting").



Weighing below the balance

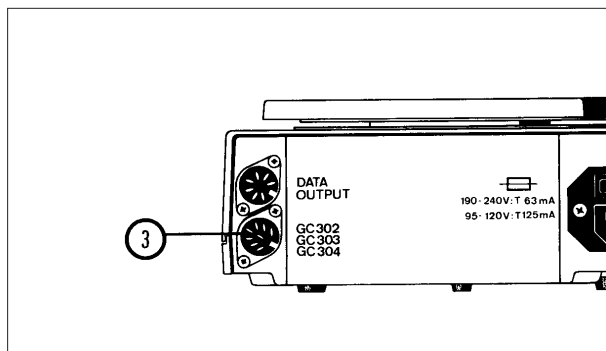
Your PE balance is specially equipped to handle weight determinations that can not be made on the weighing pan. This is done by suspending the object from the weighing cell. To do this, the balance table must have an appropriate opening.

- Remove weighing pan and pan support, and tilt balance to its side.
- Remove cover (23).
- Using a holder, suspend weighing object from hook (24).
- Set balance right side up and install weighing pan and pan support.
- With holder attached, tare balance.

ADDITIONAL FEATURES OF PE BALANCES: Application Input Units; 05 Data Output

Some very useful accessories for the PE200/400/2000/4000 are the GC302, GC303 and GC304 Application Input Units. They make it possible to quickly and conveniently perform a variety of special weighing procedures and functions.

A data output (option 05) can be delivered along with every PE200/400/2000/4000 and easily installed by the user. The necessary wires and connectors are already installed at the factory. In the next two pages we show you some of the METTLER TOLEDO peripheral instruments and accessories which make it possible to use PE balances for special applications.



Connection for Application Input Units

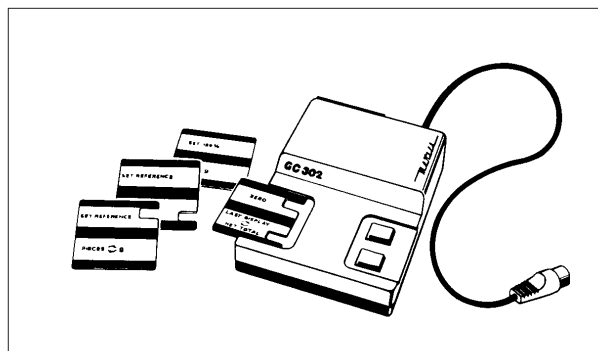
Every PE200/400/2000/4000 is equipped with a connection socket (3) for GC Application Input Units.

Application Input Units

These units are suitable for the following applications:

GC302 Application Input Unit

- Piece counting
- Percent weighing
- Net total weighing
- Animal weighing

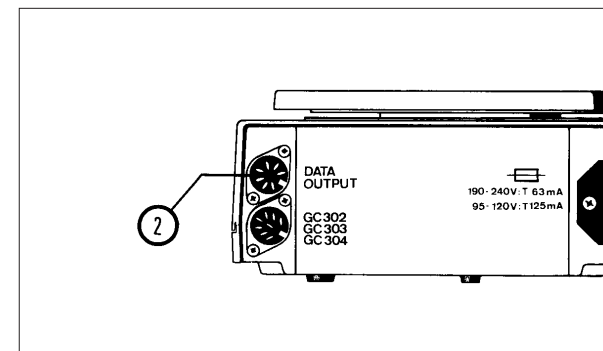


GC303 Application Input Unit

- Piece counting with weight display in:
pounds/grams (lb/g)
ounces/grams (oz/g)

GC304 Application Input Unit

- Weighing in grams and in the following non-metric units:
 - Pounds (lb)
 - Ounces (oz)
 - Troy-ounces (ozt)
 - Pennyweights (dwt)
 - Grains (GN)
 - Tael (tl)
 - Carats (C.M.)



05 Data Output

The following peripheral instruments can be connected to the 05 Data Output (2):

- GA40 Thermal Printer
- GC45 Remote Display
- GC47 Digital/Analog Converter

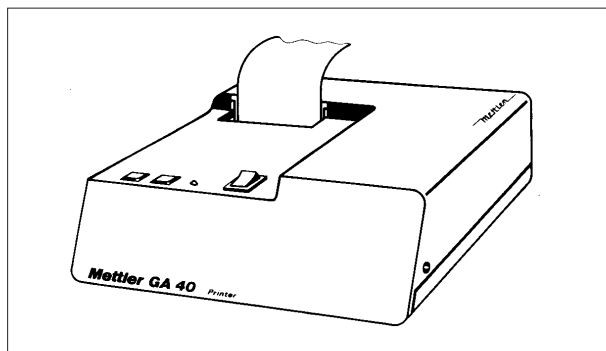
(These instruments are discussed in greater detail on the following page).

You can also retrofit your balance by using an "Option 05 Field Installation Kit" (Order No. 47660).

PERIPHERAL INSTRUMENTS: Data output and data preparation

The three peripheral instruments introduced on this page can be connected to any PE200/400/2000/4000 balance equipped with a 05 Data Output (see preceding page).

Several peripheral instruments can be connected at the same time.



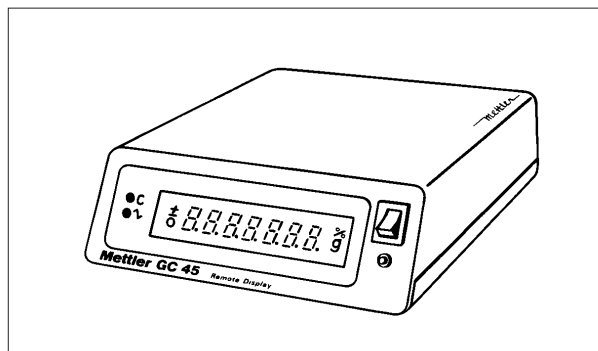
GA40 Thermal Printer

For the printed recording of weighing data.
Maintenance-free thermal printer (dot printer, no printing ribbon), compact, fast and low noise.

Nonfading paper tape, not sensitive to mechanical imprinting, rolls are 30 meter in length each and will accommodate about 5000 lines of print. Width of paper tape 57 mm (2 1/4 inch).

Separate power supply:
110/130/220/240 V

Dimension (W x D x H):
185 x 200 x 60 mm



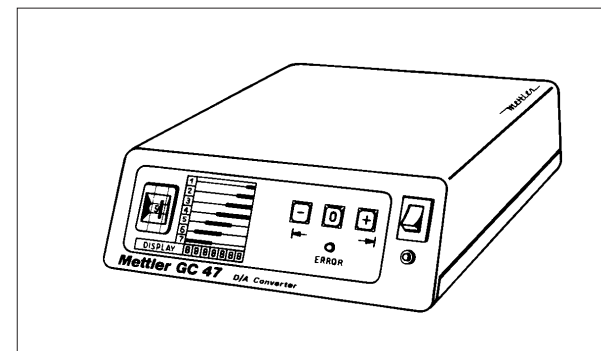
GC45 Remote Display

For the visual monitoring of weighing results away from the weighing station.

Display is completely identical with that of the balance itself.

Separate power supply:
110/130/220/240 V

Dimension (W x D x H):
185 x 200 x 60 mm



GC47 Digital/Analog Converter

For the conditioning of (digital) weighing data generated by the balance for entry into analog instruments such as line printers.

Two outputs: ± 10 V; ± 1 V

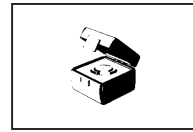
Multiswitch for decade selection (in group of three).

Separate power supply:
110/130/220/240 V

Dimension (W x D x H):
185 x 200 x 60 mm

ACCESSORIES

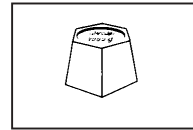
Optional equipment:



Calibration weights
certified according to OIML
200 g for PE200/400
2000 g for PE2000/4000

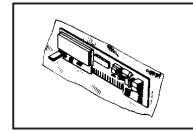
Order No.

42053
42065



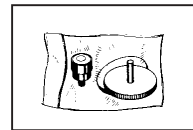
Calibration weights, non-certified
200 g for PE200, PE400
2000 g for PE2000, PE4000

47698
47699



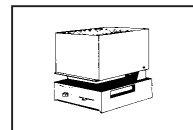
Field Installation Kit
for 05 Data Output

47660



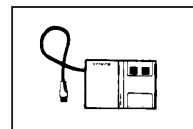
Field Installation Kit
for level indicator

47659



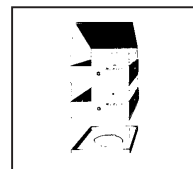
Infrared Dryer
110/220 V, 140 VA

LP15B



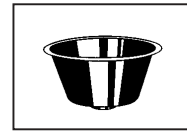
Application Input Unit

GC302
GC303
GC304



Lid 46433
Element 46432
Base 43256 } Plastic draft
shield with two
elements
(can only be used with PE200/400)

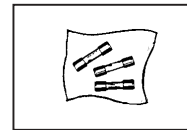
43260



Animal weighing pan
(for PE2000/4000 only)

Order No.

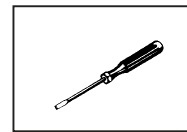
47644



Microfuses (set of 3)
125 mA, slow-acting, for 95/120 V
63 mA, slow-acting, for 190/240 V

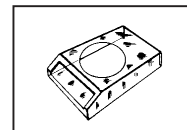
26172
46328

Standard equipment:



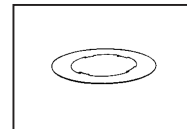
Screwdriver

50279



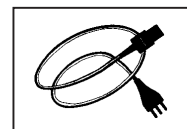
In-use cover

47465



Retaining ring for in-use cover

41156



Power cable

Neutral
Switzerland
Germany
USA

87576
87920
87925
88668

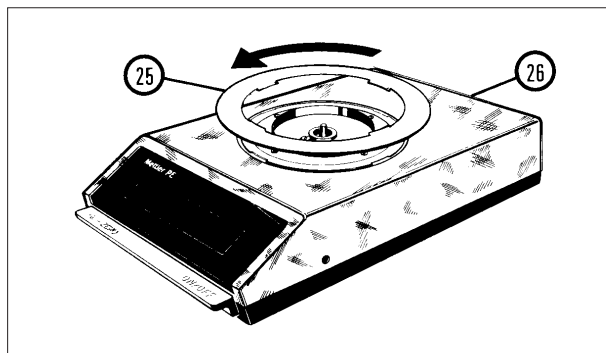
CARE AND MAINTENANCE: How to replace the in-use cover and the fuse

To protect the balance housing against soiling, damage and corrosive chemicals, the balance is delivered with the in-use cover already in place. This cover is made of stiff plastic so that it cannot be folded.

The in-use cover does in no way hinder your working with the balance.

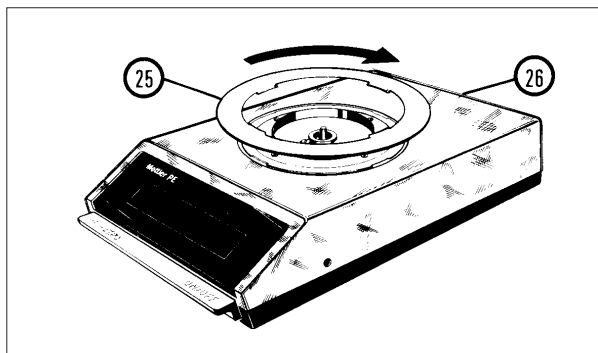
A back-up fuse is built into the fuse holder, in case your microfuse becomes defective.

If the microfuse has to be replaced repeatedly without apparent reason, call METTLER TOLEDO Service.



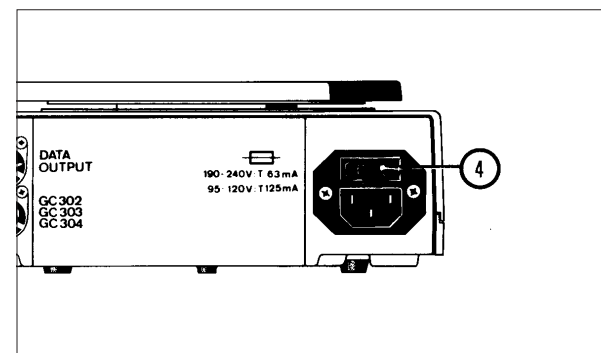
Removing the in-use cover

- Remove weighing pan and pan support.
- Turn retaining ring (25) counterclockwise until it is released and can be lifted off.
- Remove in-use cover (26).
- Install pan support and weighing pan.
(The retaining ring should only be installed when the in-use cover is in place).



Installing the in-use cover

- Remove weighing pan and pan support.
- Place in-use cover (26) on balance.
- Position and engage retaining ring (25), then turn clockwise to stop position.
- Install pan support and weighing pan.



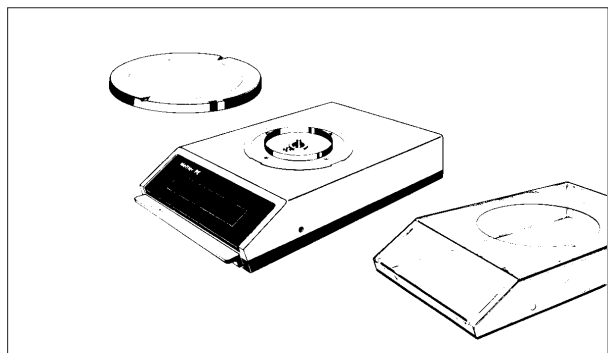
Replacing the microfuse

- Disconnect power cable.
- Using a screwdriver, remove fuse holder (4).
- Remove defective fuse and insert new fuse (back-up fuse from fuse holder).
Fuse rating:
125 mA, slow-acting, for 95/120 V
63 mA, slow-acting, for 190/240 V
- Insert fuse holder.
- Plug in power cable.

CARE AND MAINTENANCE: Upkeep and calibration

Your METTLER TOLEDO PE balance requires very little maintenance, but it should be cleaned and calibrated at regular intervals.

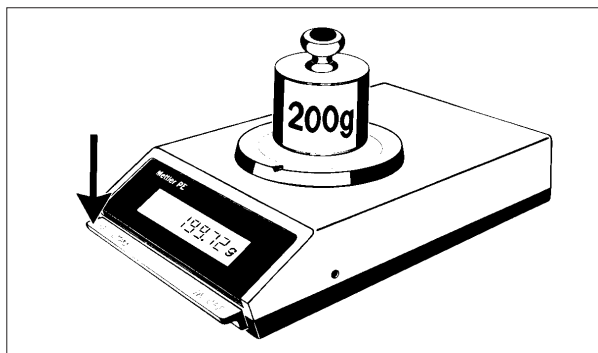
Before checking the calibration, the balance must have been switched on for at least 30 minutes (warm-up time).



Cleaning

Weighing pan, in-use cover and, if necessary, the balance housing should be cleaned whenever the need arises.

As much as possible, avoid using strong solvents.

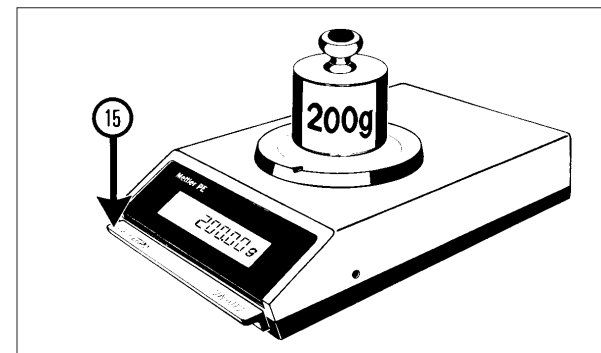


Calibration

If your balance is to deliver accurate weighing results, it must be properly calibrated.

Check the calibration of your balance at regular intervals; in case of constant operation, at least once a month.

The test weight to be used with your balance model is listed under "ACCESSORIES, Optional equipment".



Rechecking the calibration

- Press single control bar (15):
The display indicates zero.
- Place test weight on pan and read the result.

If the result now displayed by the balance corresponds to the weight indicated on the test weight down to the last decimal, your balance is ready for use. If not, it has to be calibrated.

For instructions on how to do it, see "OPERATION: How to calibrate the balance" (page 7).

WHAT IF ...

... the entire display is blanked out?

... only the upper segments of the display light up?

... only the lower segments of the display light up?

... OFF is displayed?

... the weighing result is unstable?

... the weighing result is obviously wrong?

Then ...

- Balance is not switched on.
- Power cable is not plugged in.
- No power.
- Microfuse is defective (see "CARE AND MAINTENANCE: Replacing the microfuse").
If this occurs again: Check voltage selector setting and fuse rating.
If both are correct, call METTLER TOLEDO Service.
- Weight on pan is too heavy (weighing range is exceeded).
- Balance is defective (call METTLER TOLEDO Service).
- Pan support is not installed.
- Weighing pan is not installed.
- In-use cover is touching pan support (retaining ring of in-use cover is not installed).
- Weighing range was exceeded before balance was unloaded (overload was not obvious because it is composed of tare and weighing object).
Correct defect by taring after the balance is unloaded.
- Power was out: Check the two power cable connectors for tight fit.
Again switch on balance by pressing control bar.
- Control bar was not pressed down all the way when power was switched on.
- Draft at the weighing station.
(PE200, PE400: Use draft shield. See "ACCESSORIES: Optional equipment").
- Balance table is not stable.
- Weighing object is restless, e.g., live animals (see "ADDITIONAL FEATURES").
- Voltage selector is set to an incorrect voltage (see "PREPARATION: How to correct the selected voltage setting").
- Balance is not leveled.
- Balance is not properly calibrated (see "OPERATION: How to calibrate the balance").
- In-use cover touches the pan support (install retaining ring).
- Balance was not tared before weighing was made (single control bar had not been pressed).
- Weighing object might be touching the draft shield.

TECHNICAL SPECIFICATIONS

	<u>PE200</u>	<u>PE400</u>	<u>PE2000</u>	<u>PE4000</u>
Weighing range	210 g	410 g	2100 g	4100 g
Readability	0.01 g	0.01 g	0.1 g	0.1 g
Tare range (by subtraction)		210 g	410 g	2100 g 4100 g
Admissible ambient temperature (during operation)	10...+ 40 °C	10...+ 40 °C	10...+ 40 °C	10...+ 40 °C
Sensitivity drift (10...30 °C)	$\pm 2 \cdot 10^{-5} / ^\circ\text{C}$	$\pm 1.2 \cdot 10^{-5} / ^\circ\text{C}$	$\pm 2 \cdot 10^{-5} / ^\circ\text{C}$	$\pm 1.2 \cdot 10^{-5} / ^\circ\text{C}$
Result deviation (with balance inclined 1 : 1000)	± 0.02 g	± 0.02 g	± 0.2 g	± 0.2 g
Reproducibility	0.005 g	0.005 g	0.05 g	0.05 g
Linearity	± 0.015 g	± 0.015 g	± 0.15 g	± 0.15 g
Stabilization time (typical)		2 s		
Integration time		1.25 s / 2.5 s*		
Display sequence: DeltaDisplay off		0.6 s / 1.2 s*		* When integration time is doubled
DeltaDisplay on		0.15 s / 0.3 s*		
Stability control (sensitivity invariable)		ON / OFF		
Power supply:				
– Adjustable voltage settings		95V, 105V / 110V, 120V / 190V, 210V / 220V, 240V		
– Admissible voltage fluctuations		+ 10 %		
– Frequency		50...60 Hz		
– Power consumption		about 10 VA		
Dimensions of housing (W x D x H)		194 x 310 x 65 mm		
Weight	3.7 kg		3.8 kg	
Weighing pan (chrom-nickel steel)	dia. 130 mm		dia. 170 mm	

METTLER TOLEDO 05 Data Output Combined current loop and voltage interface.

Galvanically separated, unidirectional 2-wire interface. Characters: alphanumeric. Character code: ASCII/ISO, 7-bit, even parity.

Transfer speed: 2400 baud. Connector socket: 7-pole, type Hirschmann Mab 7S.

03 Mode (for METTLER TOLEDO peripheral instruments) Loop current: 20 mA (passive)

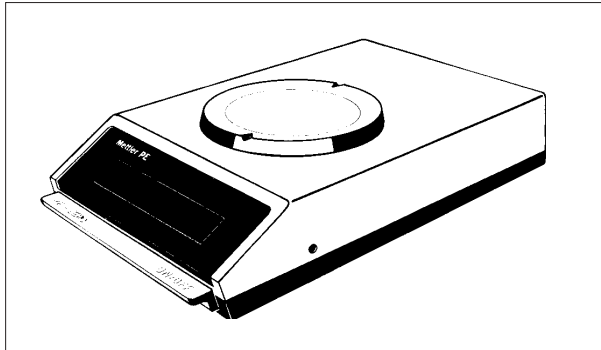
CL Mode (for METTLER TOLEDO CL instruments as well as for non-METTLER TOLEDO instrument with active loop current input)

RS232 Mode (for non-METTLER TOLEDO instruments) Voltage interface according to RS232C/V24

TYPENÜBERSICHT

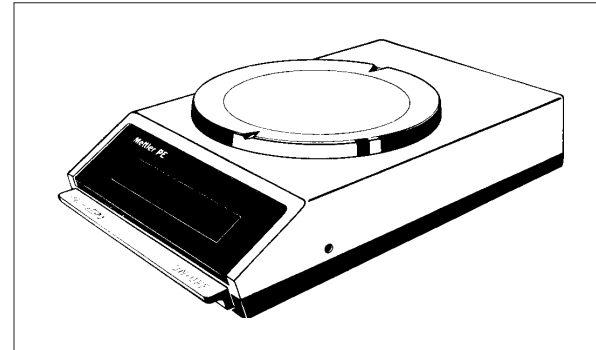
Diese Bedienungsanleitung gilt für alle hier vorgestellten Waagen der PE-Typenreihe.
Die Bedienung dieser Waagen ist nahezu identisch.
Verschieden sind nur Wägebereich, Anzeigegenauigkeit und Grösse der Waagschale.

Die PE-Waagen haben den METTLER TOLEDO DeltaDisplay, einen speziellen Anzeigemodus für das Einwägen.



PE200

Wägebereich: 210 g
Anzeigegenauigkeit: 0,01 g



PE2000

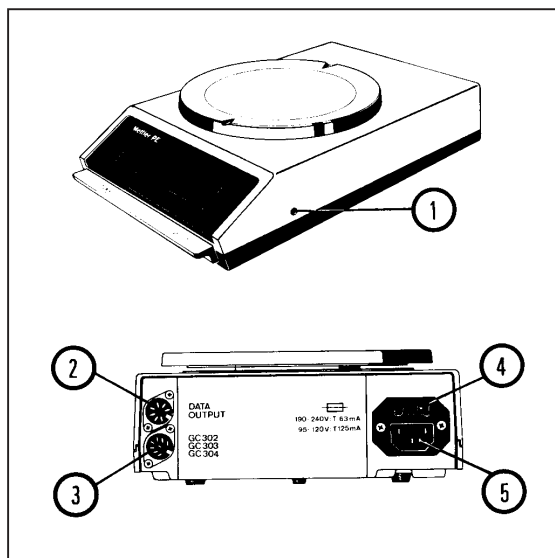
Wägebereich: 2100 g
Anzeigegenauigkeit: 0,1 g

PE400

Wägebereich: 410 g
Anzeigegenauigkeit: 0,01 g

PE4000

Wägebereich: 4100 g
Anzeigegenauigkeit: 0,1 g



Bedienungselemente und Anschlüsse

- 1) Kalibrierschraube
- 2) Anschlussbuchse für Datenausgang (Option 05)
- 3) Anschlussbuchse für Funktionseinheiten GC302, GC303, GC304
- 4) Sicherungshalter (mit Reservesicherung)
- 5) Netzanschluss

INHALT

Seite

Vorbereitung

- | | |
|----------------------------------------|----|
| Spannung überprüfen | 22 |
| Waagschale aufsetzen, Waage aufstellen | 23 |

Bedienung

- | | |
|---------------------------------|----|
| Waage ein- oder ausschalten | 24 |
| Kalibrieren | 25 |
| Gewicht bestimmen oder tarieren | 26 |
| Einwägen mit DeltaDisplay | 27 |
| Herauswägen, Gewichtsvergleiche | 28 |

Weitere Möglichkeiten

- | | |
|----------------------------------------|----|
| Unruhiges Wägegut, Gehängedurchführung | 29 |
| Funktionseinheiten, Datenausgang 05 | 30 |

Zusatzgeräte (für Datenausgang 05)

31

Zubehör

32

Wartung

- | | |
|------------------------------------|----|
| Schutzhülle und Sicherung wechseln | 33 |
| Pflege und Kalibrierung | 34 |

Was ist wenn ...

35

Technische Daten

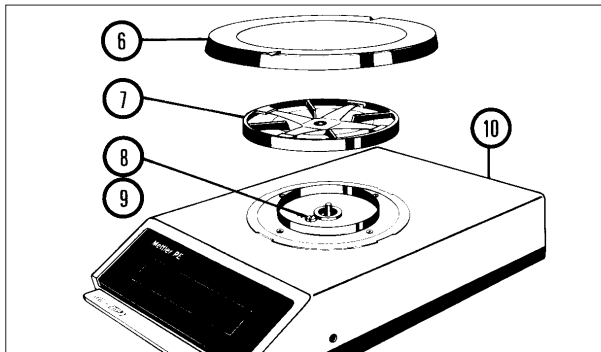
36

VORBEREITUNG: Überprüfen und berichtigen der eingestellten Spannung

Die an der Waage eingestellte Spannung muss mit der Netzspannung übereinstimmen. Vor der ersten Inbetriebnahme ist die Einstellung zu überprüfen und nötigenfalls zu berichtigen. Die in der Fabrik eingestellte Spannung ist beim Netzanschluss (5) auf einem Etikett angegeben. Stimmt die Spannung mit Ihrer örtlichen Netzspannung überein, so können Sie diese Seite überspringen.

Stimmt diese Spannung nicht mit Ihrer Netzspannung überein oder fehlt das Etikett, so ist das Waagengehäuse zu öffnen, die am Spannungswähler gesteckte Spannung zu prüfen und nötigenfalls zu ändern.

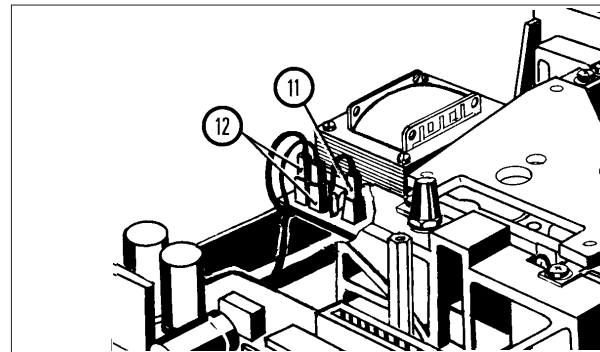
Gehen Sie dann so vor:



Öffnen des Gehäuses

Vergewissern Sie sich zuvor, dass das Netzkabel nicht angeschlossen ist!

- Falls Waagschale (6) und Schalenträger (7) schon aufgesetzt sind, diese abheben.
- Schraube (8) herausdrehen, Zahnscheibe und Unterlegscheibe (9) aufbewahren.
- Gehäuseoberteil (10) zusammen mit allenfalls montierter Schutzhülle sorgfältig abheben.



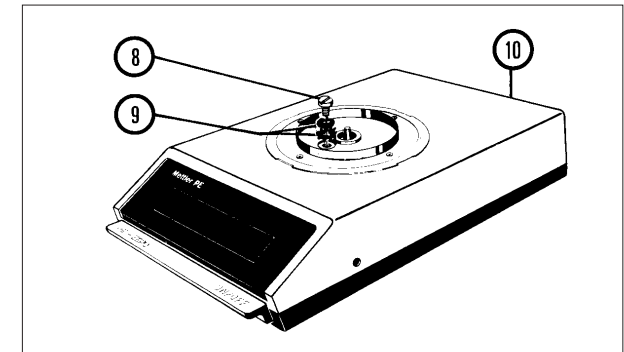
Spannungswähler neben der Wägezelle

- Prüfen, ob der Spannungswahlstecker (11) auf denjenigen Steckerstift gesteckt ist, der mit Ihrer Netzspannung angeschrieben ist.
- Nötigenfalls den Spannungswahlstecker (11) abziehen und auf den Ihrer Netzspannung entsprechenden Stift stecken.
- Zulässige Netzspannungen:

95 V,	105 V	{ Feinsicherung
110 V,	120 V	{ 125 mAAT einsetzen
190 V,	210 V	{ Feinsicherung
220 V,	240 V	{ 63 mAAT einsetzen

Achtung: Beim Umschalten der Betriebsspannung von 95...120 V auf 190...240 V (oder umgekehrt) muss die Feinsicherung ausgetauscht werden.

- Die beiden Stecker (12) dürfen nicht umgesteckt werden.



Waagengehäuse schliessen

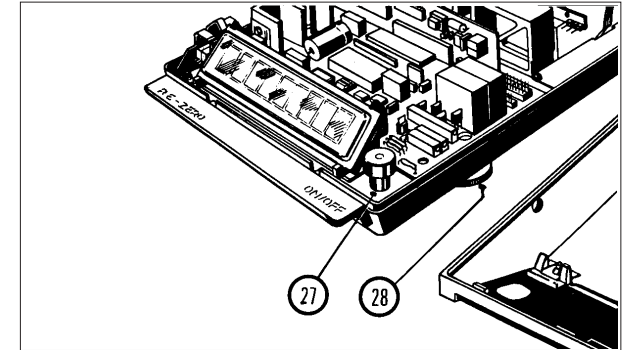
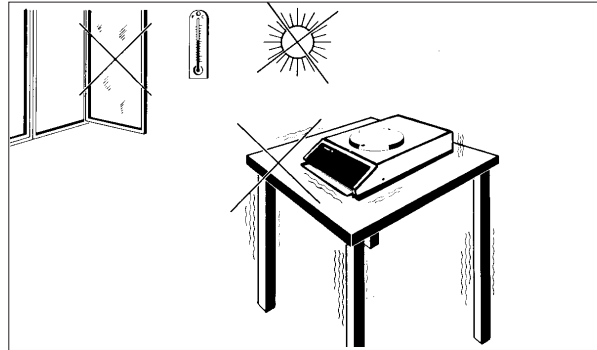
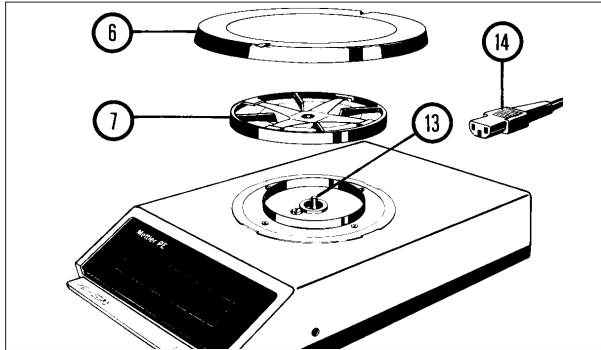
- Gehäuseoberteil (10) sorgfältig senkrecht von oben auf die Waage setzen.
- Zuerst Zahnscheibe, dann Unterlegscheibe (9) auflegen.
- Schraube (8) einschrauben und festziehen.

VORBEREITUNG: Waagschale aufsetzen und Waage aufstellen

Das Aufsetzen von Schalen-träger und Waagschale erfolgt immer gleich, unabhängig davon, ob die Schutzhülle aufgesetzt ist oder nicht.

Jede PE-Waage liefert verlässliche Messwerte, auch unter weniger günstigen Standortbedingungen.

Ein möglichst zugfreier, fester und nicht von der Sonne beschienener Standort ist aber vorzuziehen (ruhige, schnelle Gewichtsanzeige).



Waagschale aufsetzen

- Schalen-träger (7) auf den konischen Zapfen (13) setzen.
- Waagschale (6) auf den Schalen-träger legen.
- Netzkabel (14) anschliessen.

Standort

- Feste, erschütterungsfreie Unterlage.
- Keine übermäßigen Temperaturschwankungen.
- Direkte Sonnenbestrahlung vermeiden.
- Zugluffreier Standort.

Muss unter weniger günstigen Standortbedingungen gearbeitet werden, lesen Sie auch unter "WEITERE MÖGLICHKEITEN: Integrationszeit umschalten".

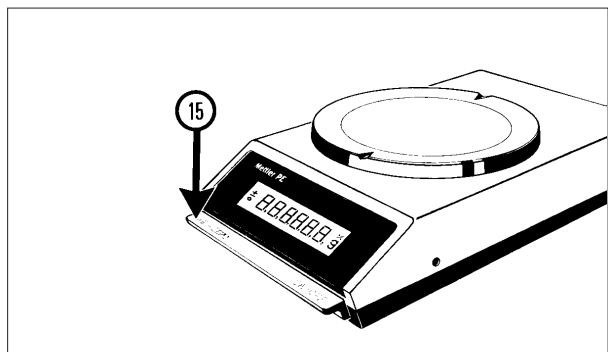
Libellen-Nachrüstset

Für PE-Waagen, die häufig bewegt werden, wurde dieser Libellen-Nachrüstset entwickelt. Damit kann die PE-Waage an jedem neuen Standort nivelliert werden. Ihre Leistungsfähigkeit wird dadurch erhöht. Der Nachrüstset enthält 2 Fußschrauben (28) und 1 Libelle (27). Zum Einbau können Sie auch den METTLER TOLEDO Service beiziehen. Bestell-Nr. siehe Seite 32.

BEDIENUNG: So wird die Waage ein- oder ausgeschaltet

Wenn Sie Ihre PE-Waage täglich mehrmals benutzen, ist es vorteilhaft, die Waage den ganzen Tag eingeschaltet zu lassen. So erreicht sie eine konstante Betriebstemperatur; die Wägegenauigkeit wird dadurch erhöht.

Es ist empfehlenswert, die Waage etwas vor Arbeitsbeginn einzuschalten. (Anwärmzeit).



Waage einschalten

- Bedientaste (15) kurz drücken; alle Anzeigensegmente leuchten einige Sekunden lang.

± 888888 g

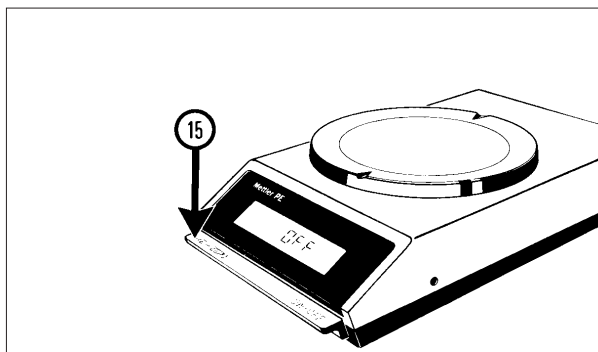
Dies ermöglicht Ihnen, die Anzeige zu kontrollieren.

Danach zeigt die Anzeige Null an, mit sovielen Nachkommastellen, wie es der Anzeigegenauigkeit Ihres Waagentyps entspricht.

Zum Beispiel:

0,00 g bei der PE200 oder PE400

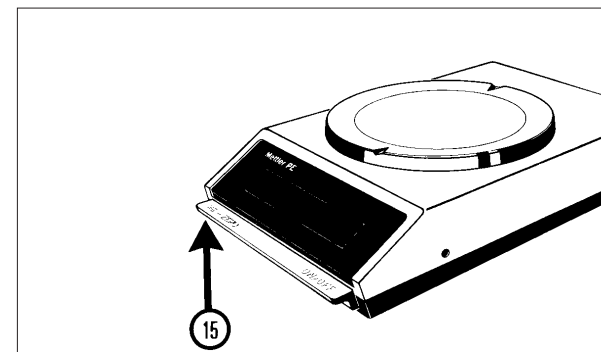
0,0 g bei der PE2000 oder PE4000



OFF-Anzeige

Tritt während des Betriebs ein Netzunterbruch ein, so erscheint auf der Anzeige "OFF", sobald die Netzspannung wieder da ist.

Sie müssen dann die Bedientaste (15) kurz drücken.



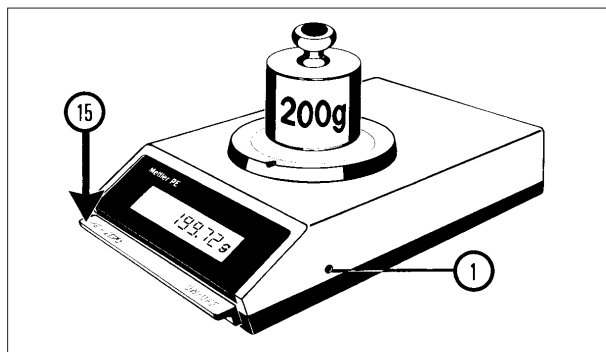
Waage ausschalten

- Bedientaste (15) anheben.

BEDIENUNG: So wird die Waage kalibriert

Ihre Waage muss an jedem neuen Standort kalibriert, d.h. auf richtige Gewichtsanzeige eingestellt werden; nur dann sind die Wägungen genau. Vor dem Kalibrieren muss die Waage mindestens 30 Minuten lang eingeschaltet sein. (Anwärmzeit).

Zum Kalibrieren brauchen Sie – je nach Waagentyp – bestimmte Prüfgewichte. Diese sind unter "ZUBEHÖR, auf Wunsch lieferbar" pro Waagentyp aufgeführt. Die Prüfgewichte stets sorgfältig behandeln und nicht mit den Händen anfassen.



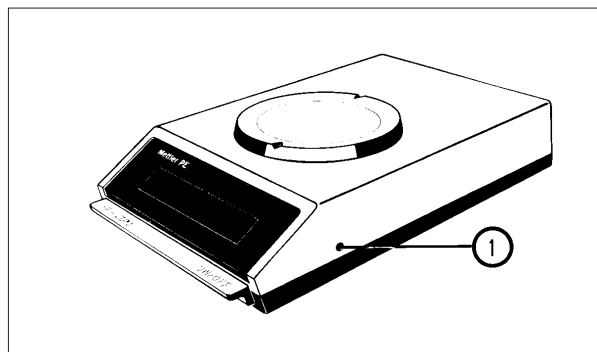
Kalibrierung prüfen

- Bedientaste (15) drücken: Auf der Anzeige erscheint Null.
- Prüfgewicht auflegen, Anzeige ablesen.

Wenn die Waage bis zur letzten Nachkommastelle genau das Prüfgewicht anzeigt, dann stimmt Ihre Waage. Wenn nicht, muss sie kalibriert werden:

Stellen Sie die Kalibrierung mittels der Kalibrierschraube (1) nach, wie in der mittleren Spalte beschrieben.

Nach jeder Korrektur Kalibrierung nachprüfen; siehe Spalte ganz rechts.



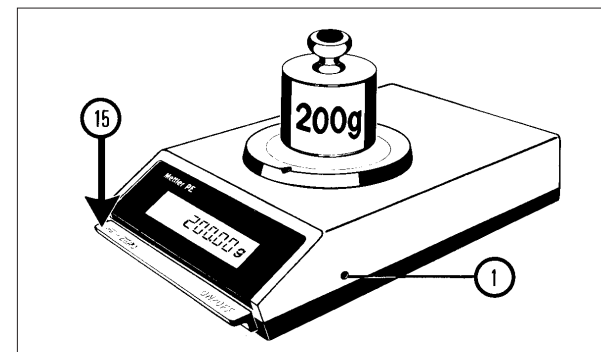
Kalibrierung nachstellen

- Prüfgewicht auflegen und Bedientaste drücken.
- Prüfgewicht abheben.
- Kalibrierschraube (1) drehen:
Im Uhrzeigersinn, wenn das angezeigte Gewicht grösser ist als das Prüfgewicht.

Gegen den Uhrzeigersinn, wenn das Gewicht kleiner ist als das Prüfgewicht.

Eine Schraubenumdrehung ändert die Kalibrierung etwa um:

0,16 g bei der PE200, PE400 (mit 200 g),
1,6 g bei der PE2000, PE4000 (mit 2000 g).



Kalibrierung nachprüfen

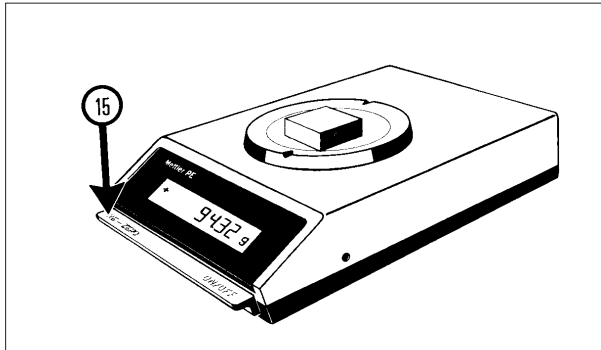
- Nach jeder Korrektur mittels Kalibrierschraube (1) muss die Kalibrierung nachgeprüft werden:
- Bedientaste (15) drücken: Auf der Anzeige erscheint Null.
 - Prüfgewicht auflegen, Anzeige ablesen.

Wenn nun die Waage bis zur letzten Nachkommastelle genau das Prüfgewicht anzeigt, so ist die Waage einsatzbereit. Wenn nicht, muss mittels Kalibrierschraube (1) weiter korrigiert werden, bis die Kalibrierung stimmt.

BEDIENUNG: So wird das Gewicht bestimmt oder tariert

Die Messgenauigkeit ist bei den PE-Waagen im ganzen Wägebereich gleich. Durch die automatische Resultatrundung wird die Anzeigegenauigkeit der PE-Waagen noch erhöht.

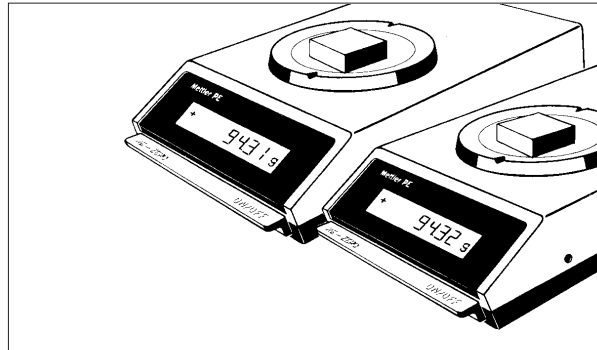
Tarieren heisst, die Anzeige wieder auf Null stellen, während ein beliebiges Gewicht (z.B. ein Gefäss) auf der Waagschale steht. So wird beim Einwiegen des Wägegutes das Gefässgewicht von der Waage automatisch vom Gesamtgewicht subtrahiert. Auf der Anzeige erscheint nur das Gewicht des eingewogenen Wägegutes. Allerdings dürfen Gefäss und Wägegut zusammen den Wägebereich nicht überschreiten



Wägen

- Bedientaste (15) kurz drücken, dadurch wird die Anzeige auf Null gestellt.
- Wägegut auflegen.
- Gewichtsanzeige ablesen.

Wird der Wägebereich überschritten, so erlischt die Anzeige bis auf die oberen Querstriche der Ziffern: Die Waage zeigt so Überlast an.



Anzeigegenauigkeit (Resultatrundung)

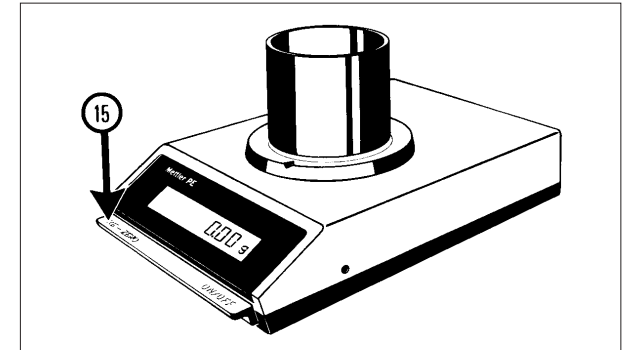
Ihre Waage misst stets eine Stelle genauer, als sie anzeigt. Diese letzte gemessene Stelle wird nach dem 4/5-Prinzip gerundet.

Beispiel:

Die Waage misst 94,314 g,
sie zeigt dann 94,31 g

oder

Die Waage misst 94,315 g,
sie zeigt dann 94,32 g.



Tarieren

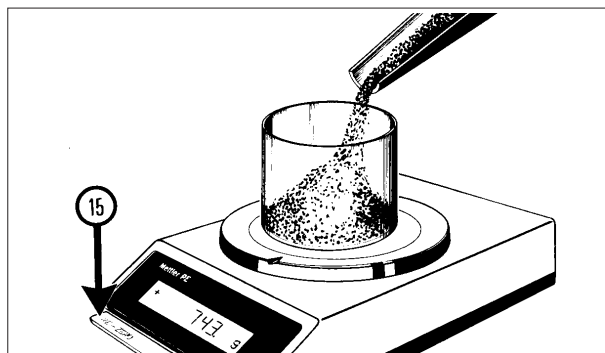
- Gefäss auf die Waagschale setzen: sein Gewicht wird angezeigt.
- Bedientaste (15) kurz drücken, d.h. tarieren: Die Waage zeigt Null an.

Für das Einwiegen ist jetzt der Wägebereich der Waage, abzüglich Gefässgewicht, verfügbar.

Ist der DeltaDisplay eingeschaltet (siehe folgende Seite) und wird im Nichtstillstand tariert, so erlischt die ganze Anzeige bis zum Stillstand; erst dann erscheint Null.

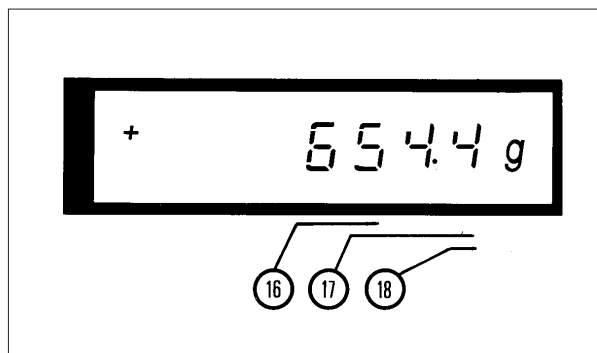
BEDIENUNG: So wird eingewogen

Einwägen bedeutet, loses oder flüssiges Wägegut in ein Gefäß auf der Waage einfüllen, bis ein gewünschtes Gewicht (das Sollgewicht) erreicht ist. Alle PE-Waagen sind mit dem DeltaDisplay ausgerüstet, der beim Einwägen eine wesentliche Erleichterung bietet: Damit die Gewichtsveränderung in der Anzeige verfolgt werden kann, wird der Ziffernwechsel automatisch beschleunigt und überdies die hinterste Ziffer vorübergehend gelöscht. Zusammen mit dem DeltaDisplay wird eine Stillstandskontrolle eingeschaltet, die den Datenausgang solange sperrt, bis das Wägeresultat stabil ist. DeltaDisplay und Stillstandskontrolle sind intern abschaltbar (siehe dazu "WEITERE MÖGLICHKEITEN BEI PE-WAAGEN").



Einwägen

- Gefäß auf Waagschale stellen.
- Trieren (15): Die Waage zeigt Null an.
- Wägegut einfüllen bis zum gewünschten Sollgewicht.

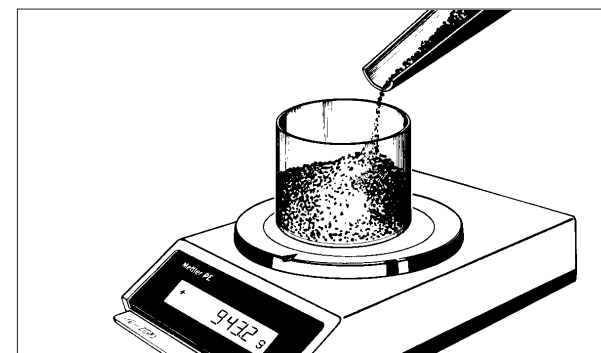


AbleSEN

Beim zügigen Einfüllen bis in die Nähe des Sollgewichts nur die ersten zwei Stellen (16) beachten.

Beim genauen Feindosieren auf Sollgewicht dann aber vorwiegend die Stellen rechts (17) beachten.

Während der raschen Gewichtszunahme erhöht sich automatisch auch die Anzeigegeschwindigkeit und die hinterste Stelle (18) erlischt vorübergehend; beim Feindosieren erscheint sie wieder.



Einwägen mehrerer Wägegüter

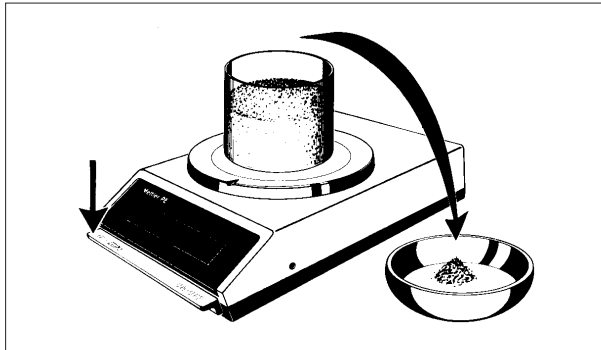
Sollen verschiedene Wägegüter nacheinander eingewogen werden, so kann jede Einwaage tariert und dann wieder von Null aus eingewogen werden, bis Gefäß und Wägegut zusammen den Wägebereich der Waage erreichen:

- bei der PE200: 210 g
- bei der PE400: 410 g
- bei der PE2000: 2100 g
- bei der PE4000: 4100 g

BEDIENUNG: So wird herausgewogen; so werden Abweichungen vom Sollgewicht abgelesen

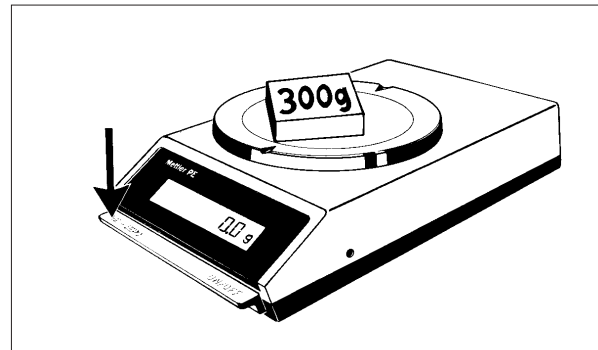
Ein mit Wägegut gefüllter Behälter kann wegtariert werden. Dadurch ist es möglich, aus einem Behälter herauszuwägen, ohne das Gewicht des entnommenen Wägegutes berechnen zu müssen.

Auch ein Sollgewicht (Mustergewicht) kann man tariieren. So lassen sich Abweichungen von einem Muster direkt ablesen.



Herauswägen

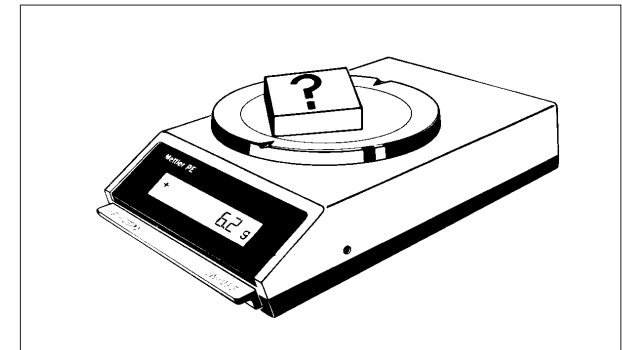
- Behälter mit Wägegut auf die Waage stellen.
- Trieren: Die Waage zeigt Null an.
- Wägegut entnehmen: Auf der Anzeige erscheint das Gewicht des entnommenen Wägegutes mit negativem Vorzeichen.



Sollgewicht festlegen

- Sollgewicht auflegen (Gewichte oder Muster).
- Trieren: Die Waage zeigt Null an.
- Sollgewicht abnehmen.
Auf der Anzeige wird jetzt das Sollgewicht mit negativem Vorzeichen angezeigt.
z.B.: -300.0 g

Nun können Sie Abweichungen von diesem Sollgewicht direkt ablesen.



Abweichung zum Sollgewicht feststellen

- Wägegut auflegen, das mit dem Sollgewicht zu vergleichen ist.

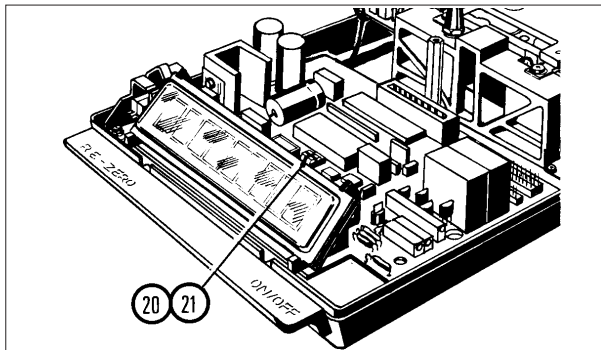
Ist das Wägegut schwerer, erscheint auf der Anzeige die Abweichung mit positivem Vorzeichen, weil:
 $-300.0 \text{ g} + 306.2 \text{ g} = +6.2 \text{ g}$

Ist das Wägegut leichter, erscheint auf der Anzeige die Abweichung mit negativem Vorzeichen, weil:
 $-300.0 \text{ g} + 294.2 \text{ g} = -5.8 \text{ g}$

WEITERE MÖGLICHKEITEN BEI PE-WAAGEN: Unruhiges Wägegut, Gehängedurchführung

Alle PE-Waagen werden mit eingeschaltetem DeltaDisplay ausgeliefert: während raschen Gewichtsveränderungen erhöht sich automatisch der Anzeigewechsel und die hinterste Stelle erlischt vorübergehend. Der DeltaDisplay kann durch einen internen Schalter ausser Betrieb gesetzt werden. Ausserdem kann auch die Integrationszeit verdoppelt werden; der Anzeigewechsel erfolgt dann halb so schnell. PE-Waagen können so an erschwerte Bedingungen angepasst, unruhige Anzeigen auf den richtigen Wert stabilisiert werden.

Für Wägungen unterhalb der Waage haben alle PE-Waagen eine Gehängedurchführung.



DeltaDisplay und Integrationszeit umschalten

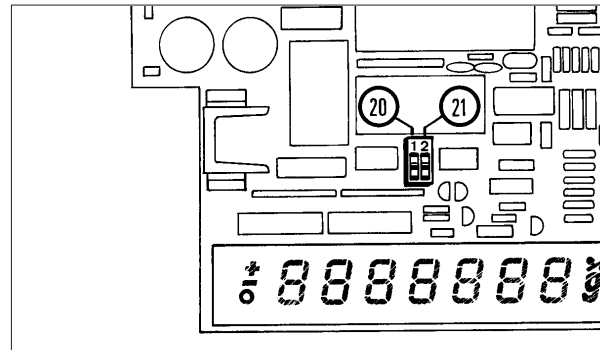
Soll unruhiges Wägegut gewogen werden, (z.B. Lebewesen) oder muss bei äusserer Unruhe (z.B. Luftzug) gewogen werden, so kann das Resultat stabilisiert werden durch Ausschalten des DeltaDisplay und Verdoppeln der Integrationszeit.

Dafür können Sie auch den METTLER TOLEDO Service beiziehen.

Vorgehen:

- Netzstecker herausziehen.
- Gehäuse öffnen (siehe Seite 22, "VORBEREITUNG: Spannung einstellen").

Die Schalter (20) (21) für den DeltaDisplay und die Integrationszeit befinden sich direkt hinter der Anzeige.

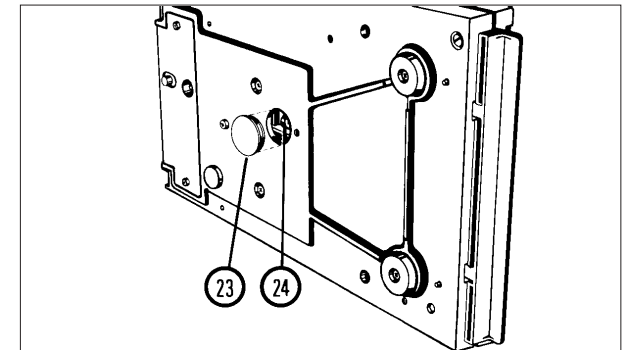


Am linken Schiebeschalter (20) werden DeltaDisplay und Stillstandskontrolle (SSK) geschaltet:

- DeltaDisplay und SSK ein:
Schalter am anzeigeseitigen Anschlag.
- DeltaDisplay und SSK aus:
Schalter am hinteren Anschlag.

Am rechten Schiebeschalter (21) wird die Integrationszeit umgeschaltet:

- Integrationszeit kurz:
Schalter am anzeigeseitigen Anschlag.
- Integrationszeit lang:
Schalter am hinteren Anschlag.
- Waagengehäuse wieder schliessen (siehe unter "VORBEREITUNG: Spannung einstellen").



Gehängedurchführung

Für Wägungen, die sich nicht auf der Waagschale vornehmen lassen, steht eine Gehängedurchführung zur Verfügung.

Dabei wird das Wägegut an die Wägezelle angehängt, was eine Öffnung im Wägetisch bedingt.

- Waagschale und Schalen­träger abnehmen, Waage zur Seite kippen.
- Deckel (23) abnehmen.
- Wägegut-Halterung an den Hacken (24) anhängen.
- Waage aufstellen, Schalen­träger und Waagschale aufsetzen.
- Bei angehängter Halterung tarieren.

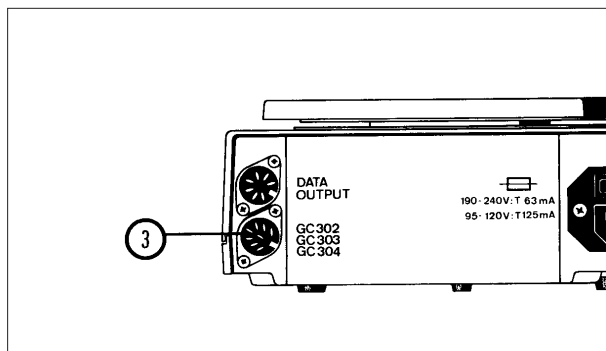
WEITERE MÖGLICHKEITEN BEI PE-WAAGEN: Funktionseinheiten, Datenausgang 05

Ein sehr nützliches Zubehör für die PE200/400/2000/4000 sind die Funktionseinheiten GC302, GC303 und GC304.

Sie bieten die Möglichkeit, bequem und einfach verschiedene Spezialwägungen und -Funktionen durchzuführen.

Für die PE200/400/2000/4000 ist ein Datenausgang lieferbar (Datenausgang Option 05). Der Datenausgang kann auf einfache Weise vom Anwender nachgerüstet werden. Die notwendigen Kabel und Stecker sind in PE-Waagen ab Werk bereits eingebaut.

Für spezielle Aufgaben sind zu den PE200/400/2000/4000 Zusatzgeräte und Zubehör verfügbar, von welchen auf den folgenden zwei Seiten eine Auswahl vorgestellt wird.



Anschluss für Funktionseinheiten

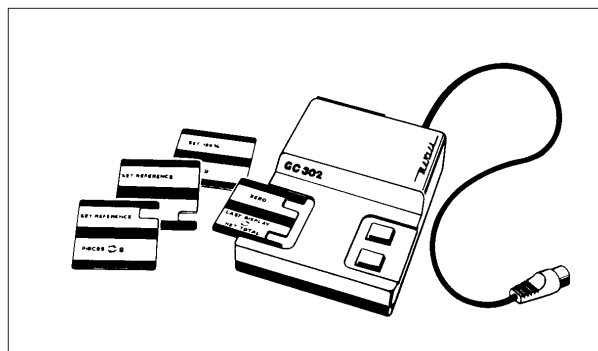
Jede PE200/400/2000/4000 ist mit einer Anschlussbuchse (3) für GC-Funktionseinheiten ausgerüstet.

GC-Funktionseinheiten

Die GC-Funktionseinheiten ermöglichen die folgenden Spezialfunktionen:

Funktionseinheit GC302:

- Stückzählung
- Prozentwägung
- Netto-Total-Wägung
- Tierwägung

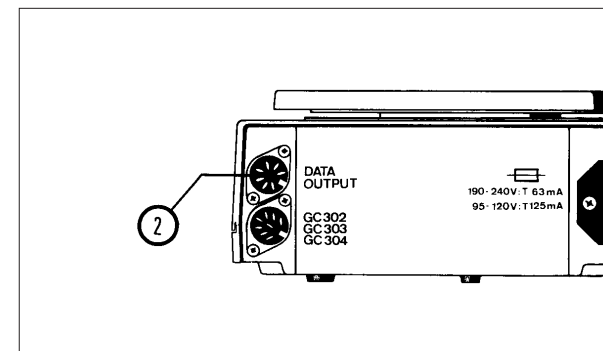


Funktionseinheit GC303:

- Stückzählung mit Gewichtswertanzeige in:
Pfund/Gramm (lb/g)
Unzen/Gramm (oz/g)

Funktionseinheit GC304:

- Wägungen in Gramm und den folgenden nicht-metrischen Einheiten:
 - Pfund (lb)
 - Unzen (oz)
 - Troy Unzen (ozt)
 - Pennyweight (dwt)
 - Grain (GN)
 - Tael (tl)
 - Karat (C.M.)



Datenausgang 05

Am Datenausgang (2) können folgende Zusatzgeräte angeschlossen werden:

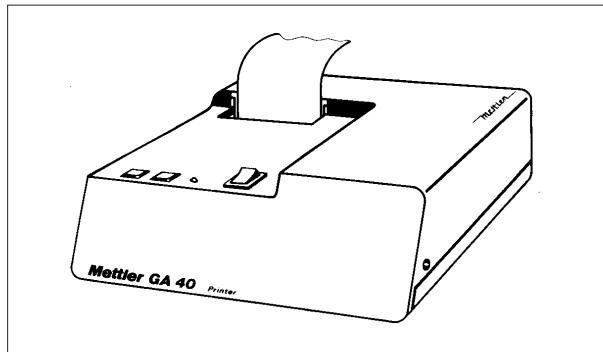
- Thermodrucker GA40
- Zweitanzeige GC45
- Digital/Analog-Wandler GC47
(Diese Geräte werden auf der folgenden Seite vorgestellt).

Mit dem Nachrüstsatz "Option 05" (Bestell-Nr. 47660) kann Ihre Waage nachträglich mit dem Datenausgang 05 ausgerüstet werden.

ZUSATZGERÄTE: Datenausgabe und Datenaufbereitung

Die drei Zusatzgeräte, die auf dieser Seite vorgestellt werden, lassen sich an jede PE200/400/2000/4000 anschliessen, wenn diese mit einem Datenausgang 05 ausgerüstet ist (siehe dazu vorangehende Seite).

Es sind mehrere Zusatzgeräte gleichzeitig anschliessbar.



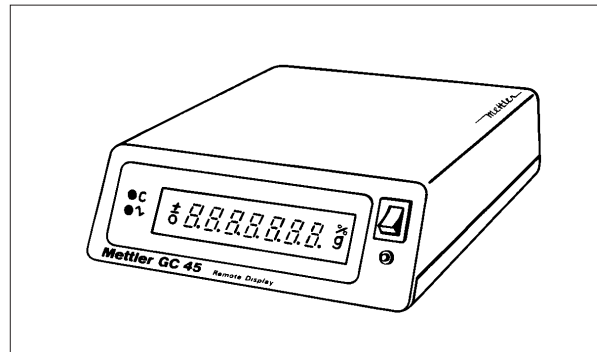
Thermodrucker GA40

Zur schriftlichen Aufzeichnung der Wägedaten.

Wartungsfreier Thermodrucker (Punktschreiber ohne Farbband); klein, schnell und geräuscharm.

Papier lichtecht, druckunempfindlich, auf Rollen zu 30 m Länge für etwa 5000 Schreibzeilen, Streifenbreite 57 mm (2 1/4").

Eigene Speisung: 110/130/220/240 V
Masse (B x T x H): 185 x 200 x 60 mm

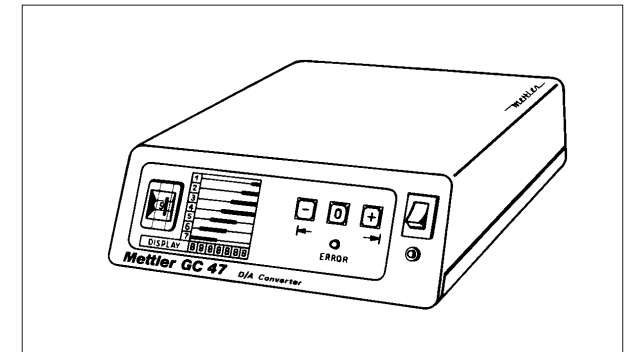


Zweitanzeige GC45

Für visuelle Überwachung der Wägeresultate ausserhalb des Wägeplatzes.

Anzeige vollständig gleich wie die Waagenanzeige.

Eigene Speisung: 110/130/220/240 V
Masse (B x T x H): 185 x 200 x 60 mm



Digital/Analog-Wandler GC47

Zur Aufbereitung der (digitalen) Wägedaten ab Waage für die Eingabe in analog gesteuerte Geräte, z.B. Linienschreiber.

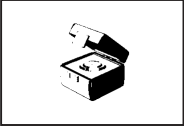

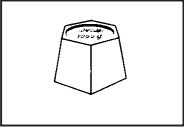
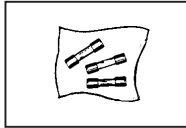
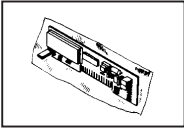
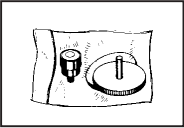
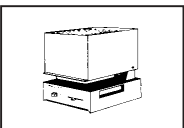
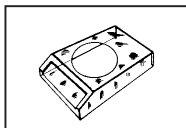
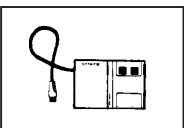
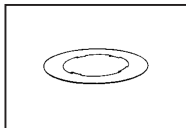

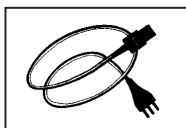
2 Ausgänge: ± 10 V und ± 1 V

Multiswitch für die Dekadenauswahl (Dreiergruppen).

Eigene Speisung: 110/130/220/240 V
Masse (B x T x H): 185 x 200 x 60 mm

ZUBEHÖR

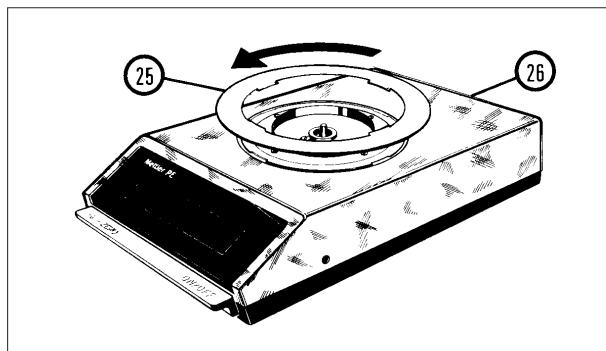
Auf Wunsch lieferbar:

		<u>Bestell-Nr.</u>			<u>Bestell-Nr.</u>
	Kalibriergewichte geeicht (OIML-konform) 200 g für PE200/400 2000 g für PE2000/4000	42053 42065		Tierwaagschale (nur für PE2000/4000)	47644
	Kalibriergewichte (nicht geeicht) 200 g für PE200, PE400 2000 g für PE2000, PE4000	47698 47699		Feinsicherungen (Satz zu 3 Stück) 125 mA träge (95/120 V) 63 mA träge (190/240 V)	26172 46328
	Nachrüstsatz Option 05	47660	Der Waage liegen bei:		
	Libellen-Nachrüstsatz	47659			
	Trocknungsaufsatz 110/220 V, 140 VA	LP15B		Schutzhülle	47465
	Funktionseinheit	GC302 GC303 GC304		Haltering zu Schutzhülle	41156
	Deckel 46433 Aufsatz 46432 Unterteil 43256 (nur für PE200, 400)	Kunststoff- windschutz mit 2 Aufsätzen 43260		Netzkabel	Neutral 87576 Schweiz 87920 Deutschland 87925 USA 88668

WARTUNG: Schutzhülle und Feinsicherung wechseln

Um das Waagengehäuse vor Schmutz, Beschädigung und chemisch aggressivem Wägegut zu schützen, wird die Waage mit einer montierten Schutzhülle geliefert. Die Schutzhülle ist aus steifem Kunststoff, sie kann nicht gefaltet werden. Das Arbeiten mit der Waage wird durch die Schutzhülle in keiner Weise behindert.

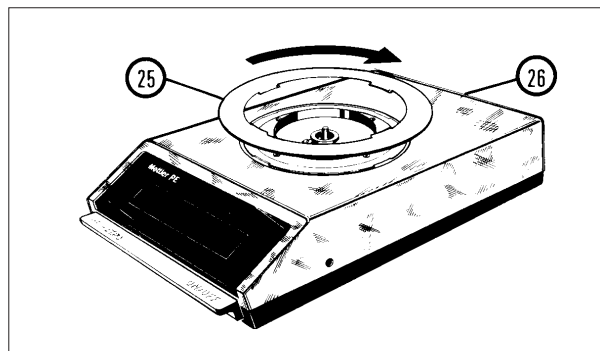
Für den Fall, dass die Feinsicherung defekt wird, ist im Sicherungshalter eine Reservesicherung eingebaut. Müssen Sie die Feinsicherung wiederholt ohne ersichtliche Ursache wechseln, sollten Sie den METTLER TOLEDO Service beiziehen.



Schutzhülle entfernen

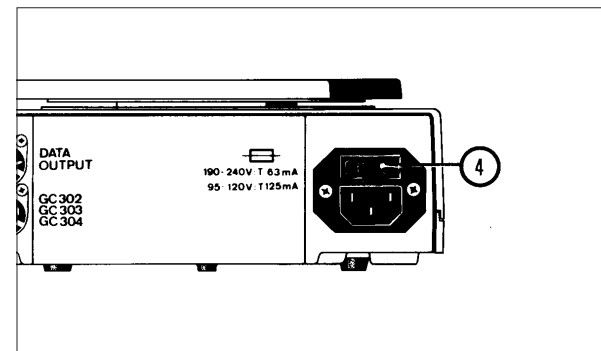
- Waagschale und Schalenträger abnehmen.
- Haltering (25) gegen den Uhrzeigersinn drehen, bis er ausrastet und abgehoben werden kann.
- Schutzhülle (26) abnehmen.
- Schalenträger und Waagschale wieder aufsetzen.

(Der Haltering wird nur montiert, wenn eine Schutzhülle aufgesetzt ist).



Schutzhülle aufsetzen

- Waagschale und Schalenträger abnehmen.
- Schutzhülle (26) aufsetzen.
- Haltering (25) auflegen, einrasten und im Uhrzeigersinn bis zum Anschlag drehen.
- Schalenträger und Waagschale wieder aufsetzen.



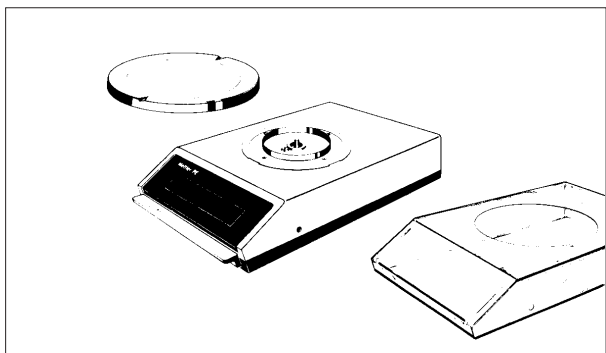
Feinsicherung wechseln

- Netzkabel herausziehen.
 - Mit einem Schraubenzieher den Sicherungshalter (4) herausnehmen.
 - Defekte Sicherung entfernen und neue Sicherung einsetzen. (Reservesicherung aus dem Sicherungshalter).
- Sicherungswert:
125 mA träge bei 95/120 V
63 mA träge bei 190/240 V
- Sicherungshalter wieder einsetzen.
 - Netzkabel einstecken.

WARTUNG: Pflege und Kalibrierung

Ihre Waage erfordert nur sehr wenig Wartungsarbeiten: sie sollte regelmässig gereinigt und kalibriert werden.

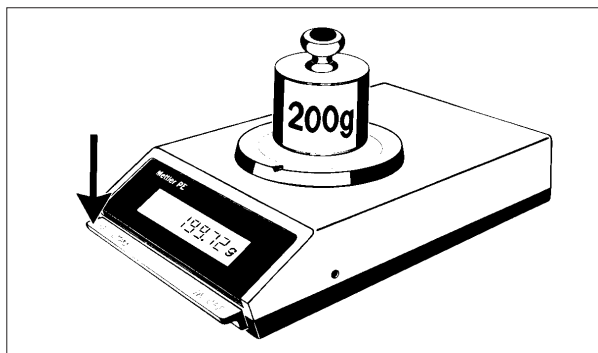
Vor dem Überprüfen der Kalibrierung muss die Waage mindestens 30 Minuten lang eingeschaltet sein. (Anwärmzeit).



Reinigung

Waagschale, Schutzhülle und gegebenenfalls Waagengehäuse sollten bei Bedarf gereinigt werden.

Verwenden Sie möglichst keine starken Lösungsmittel.

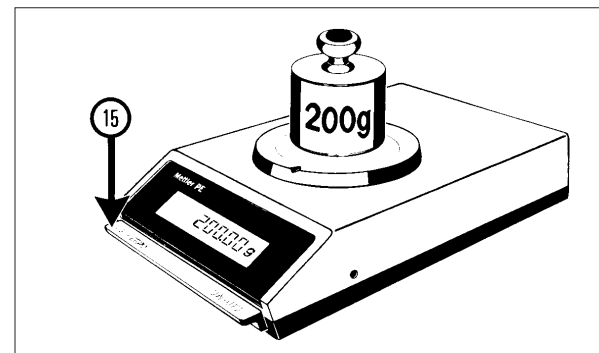


Kalibrierung

Damit Ihre Waage immer genaue Wägebresultate liefert, muss sie richtig kalibriert sein.

Überprüfen Sie die Kalibrierung regelmässig, zum Beispiel bei dauerndem Betrieb mindestens einmal im Monat.

Das für Ihren Waagentyp bestimmte Prüfgewicht ist aufgeführt unter "ZUBEHÖR, auf Wunsch lieferbar".



Kalibrierung überprüfen

- Bedientaste (15) drücken:
Auf der Anzeige erscheint Null.
- Prüfgewicht auflegen, Anzeige ablesen.

Wenn die Waage bis zur letzten Nachkommastelle genau das auf dem Prüfgewicht angeschriebene Gewicht anzeigt, dann stimmt Ihre Waage; wenn nicht, muss sie kalibriert werden.

Wie, steht unter "BEDIENUNG: So wird die Waage kalibriert" (Seite 25).

WAS IST, WENN ...

... die ganze Anzeige nicht leuchtet?

... auf der Anzeige nur die oberen Segmente leuchten?

... auf der Anzeige nur die unteren Segmente leuchten?

... die Anzeige "OFF" zeigt?

... das Wägeresultat unstabil ist?

... das Wägeresultat offensichtlich falsch ist?

Dann ist ...

- die Waage nicht eingeschaltet.
- das Netzkabel nicht eingesteckt.
- keine Netzspannung vorhanden.
- die Feinsicherung defekt (siehe dazu "WARTUNG: Feinsicherung wechseln").
Im Wiederholungsfall: eingestellte Betriebsspannung und Sicherungswert überprüfen.
Falls beides richtig: METTLER TOLEDO Service beiziehen.
- ein zu schweres Gewicht auf die Waagschale gelegt worden (der Wägebereich ist überschritten).
- die Waage defekt (METTLER TOLEDO Service benachrichtigen).
- Der Schalen­träger nicht aufgelegt.
- die Waagschale nicht aufgelegt.
- die Schutzhülle mit dem Schalen­träger in Berührung (der Haltering für die Schutzhülle nicht montiert).
- vor dem Entlasten der Waage der Wägebereich überschritten worden (Überlast ist nicht offensichtlich, da aus Tara + Einwaage zusammengesetzt). Abhilfe: bei entlasteter Waage tariieren.
- die Netzspannung zeitweise ausgefallen: die beiden Netzkabelstecker auf guten Sitz prüfen. Waage mit der Bedientaste wieder in Betrieb setzen.
- die Bedientaste beim Einschalten nicht ganz gedrückt worden.
- Zugluft vorhanden
(PE200, PE400: Windschutz verwenden, siehe unter "ZUEBEHÖR: auf Wunsch lieferbar").
- der Wägetisch unstabil.
- das Wägegut unruhig, z.B. Lebewesen (siehe dazu "WEITERE MÖGLICHKEITEN").
- die falsche Spannung am Spannungswahlstecker gesteckt (siehe dazu "VORBEREITUNG: überprüfen der eingestellten Spannung").
- die Waage auf einer schrägen Unterlage plaziert.
- die Kalibrierung nicht in Ordnung (siehe dazu "BEDIENUNG: so wird die Waage kalibriert").
- die Schutzhülle mit dem Schalen­träger in Berührung (Haltering montieren).
- vor der Wägung nicht tariert worden (die Bedientaste nicht gedrückt worden).
- das Wägegut mit dem allenfalls montierten Windschutz in Berührung.

TECHNISCHE DATEN

	<u>PE200</u>	<u>PE400</u>	<u>PE2000</u>	<u>PE4000</u>
Wägebereich	210 g	410 g	2100 g	4100 g
Ablesbarkeit	0,01 g	0,01 g	0,1 g	0,1 g
Tarierbereich (subtraktiv)	210 g	410 g	2100 g	4100 g
Zulässige Umgebungstemperatur (während des Betriebs)	10...+ 40 °C	10...+ 40 °C	10...+ 40 °C	10...+ 40 °C
Empfindlichkeitsdrift (10...30 °C)	$\pm 2 \cdot 10^{-5} / ^\circ\text{C}$	$\pm 1,2 \cdot 10^{-5} / ^\circ\text{C}$	$\pm 2 \cdot 10^{-5} / ^\circ\text{C}$	$\pm 1,2 \cdot 10^{-5} / ^\circ\text{C}$
Resultatabweichung (bei Schrägstellung 1 : 1000)	$\pm 0,02$ g	$\pm 0,02$ g	$\pm 0,2$ g	$\pm 0,2$ g
Reproduzierbarkeit	0,005 g	0,005 g	0,05 g	0,05 g
Lineariät	$\pm 0,015$ g	$\pm 0,015$ g	$\pm 0,15$ g	$\pm 0,15$ g
Einschwingzeit (typisch)		2 s		
Integrationszeit		1,25 s / 2,5 s*		
Anzeigefolge: DeltaDisplay aus		0,6 s / 1,2 s*		* Integrationszeit verdoppelt
DeltaDisplay ein		0,15 s / 0,3 s*		
Stillstandskontrolle (Empfindlichkeit fest eingestellt)		ein / ausschaltbar		
Netzanschluss				
– Spannung wählbar		95V, 105V / 110V, 120V / 190V, 210V / 220V, 240V		
– Toleranz		+ 10 %		
– Frequenz		50...60 Hz		
– Leistungsaufnahme		etwa 10 VA		
Grösse des Gehäuses (B x T x H)		194 x 310 x 65 mm		
Gewicht	3,7 kg		3,8 kg	
Waagschale (Chromnickelstahl)	Ø 130 mm		Ø 170 mm	

METTLER TOLEDO Datenausgang 05: Kombinierte Stromschleifen- und Spannungsschnittstelle

2-Draht Schnittstelle unidirektional, galvanisch getrennt. Zeichen: alphanumerisch. Zeichencode: ASCII/ISO, 7-bit, even parity.

Übertragungsgeschwindigkeit: 2400 Baud. Steckerbuchse: 7-polig, Typ Hirschmann Mab 7S.

O3-Mode (für METTLER TOLEDO Zusatzgeräte) Schleifenstrom: 20 mA (passiv)

CL-Mode (für METTLER TOLEDO CL-Geräte sowie Fremdgeräte mit aktivem Schleifenstrom-Eingang) Schleifenstrom: 20 mA (passiv)

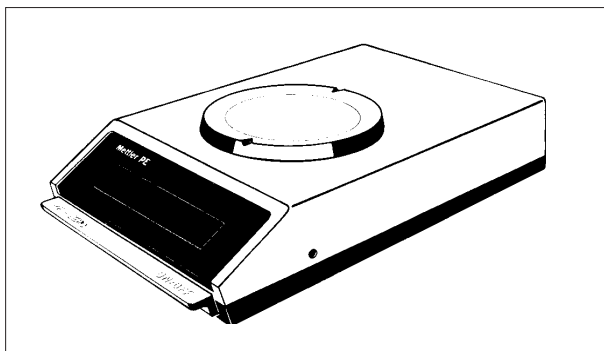
RS232-Mode (für Fremdgeräte) Spannungsschnittstelle nach RS232C/V24 Norm

INTRODUCTION

Voici le mode d'emploi des balances de la série PE présentées ci-après.

La commande est pratiquement identique sur ces modèles. Ils diffèrent seulement par leur portée, leur précision d'affichage et les dimensions de leur plateau.

Les balances PE sont dotées du METTLER TOLEDO DeltaDisplay qui est un mode d'affichage spécialement conçu pour les dosages.

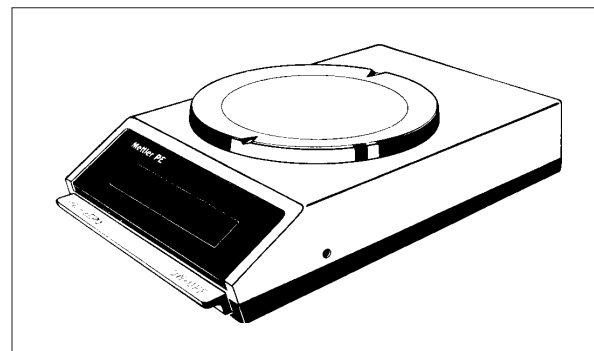


PE200

Portée 210 g
Précision d'affichage 0,01 g

PE400

Portée 410 g
Précision d'affichage 0,01 g

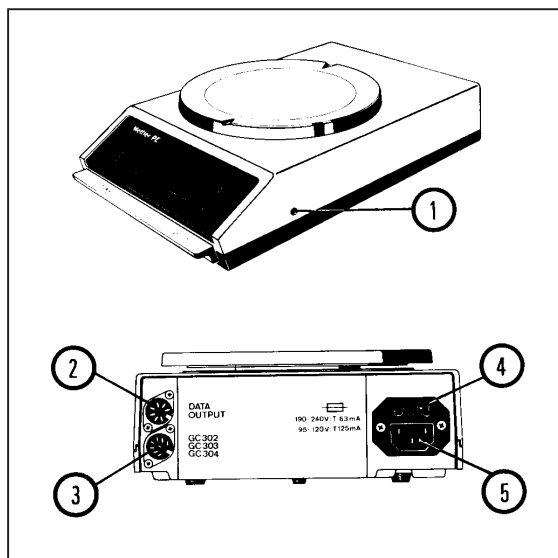


PE2000

Portée 2100 g
Précision d'affichage 0,1 g

PE4000

Portée 4100 g
Précision d'affichage 0,1 g



Éléments de commande et de connexion

- 1 Vis de calibration
- 2 Prise pour la connexion de la sortie de données (en option)
- 3 Prise pour la connexion des modules d'entrée de fonction GC302, GC303, GC304
- 4 Porte-fusible (avec fusible de réserve)
- 5 Prise secteur

TABLE DES MATIERES

Page

Préparation

- Contrôle de la tension 40
- Montage du plateau et installation de la balance 41

Commande

- Mise sous tension et mise hors circuit 42
- Calibrage 43
- Pesage et tarage 44
- Dosage à l'aide du DeltaDisplay 45
- Prélèvement et comparaison de poids 46

Possibilités supplémentaires

- Substances ou animaux remuants, dispositif pour peser au-dessous de la balance 47
- Modules d'entrée de fonction, sortie de données O5 48

Périphériques

- compatibles avec la sortie de données O5 49

Accessoires

50

Entretien

- Remplacement de la housse de protection et du fusible 51
- Entretien et calibrage 52

Que faire en cas d'anomalies

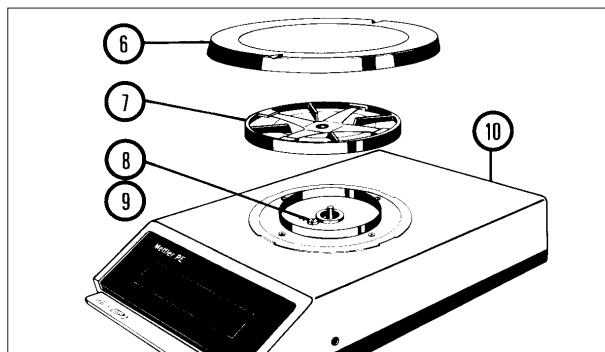
53

Caractéristiques techniques

54

PREPARATION: Contrôle et réglage de la tension

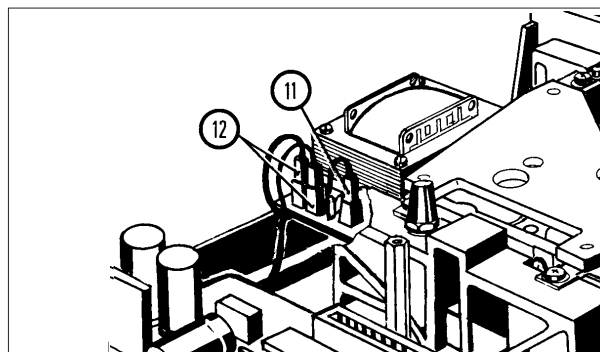
La tension réglée sur la balance doit être identique à la tension secteur. Avant de mettre la balance en service pour la première fois, commencer par vérifier si la tension a été correctement réglée et, dans le cas contraire, la régler en conséquence. La tension réglée en usine est indiquée sur une étiquette apposée sur la prise secteur (5). Si cette valeur concorde avec la tension du secteur vous n'avez pas besoin de lire cette page. Par contre, si la tension indiquée sur l'étiquette ne concorde pas avec la tension du secteur ou si l'étiquette a disparu, il faut retirer le boîtier de la balance, vérifier la tension réglée sur le sélecteur et, si besoin, la rectifier en conséquence.



Pour retirer le boîtier:

S'assurer d'abord que le câble secteur est débranché.

- Retirer le plateau (6) et le porte-plateau (7), s'ils étaient déjà montés.
- Dégager la vis (8) et mettre de côté le disque denté et la rondelle (9).
- Retirer avec précaution le boîtier (10), en même temps que la housse, si celle-ci était déjà en place.



Contrôle de la tension réglée

- Vérifier si le sélecteur de tension (11) est placé sur la borne correspondant à votre tension secteur.
- Dans le cas contraire, retirer le sélecteur (11) et le placer sur la borne appropriée.

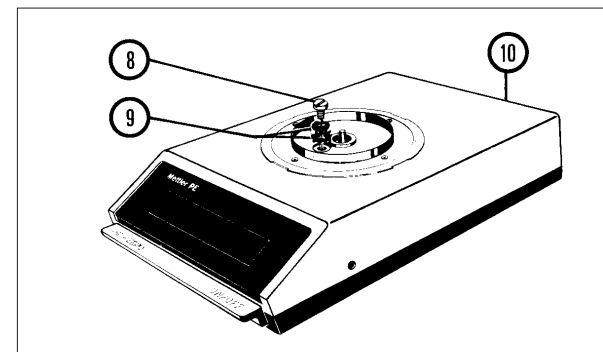
Tensions de travail admissibles:

95 V,	105 V	{ Utiliser un fusible
110 V,	120 V	{ de 125 mAT
190 V,	210 V	{ Utiliser un fusible
220 V,	240 V	{ de 63 mAT

Attention: Lorsqu'on passe la tension de travail de

95...120 V à 190...240 V (ou inversement), il faut changer le fusible.

- Ne pas modifier la position des deux fiches (12).



Pour remettre le boîtier en place

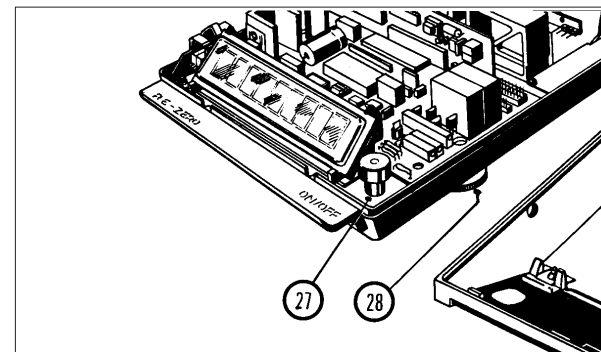
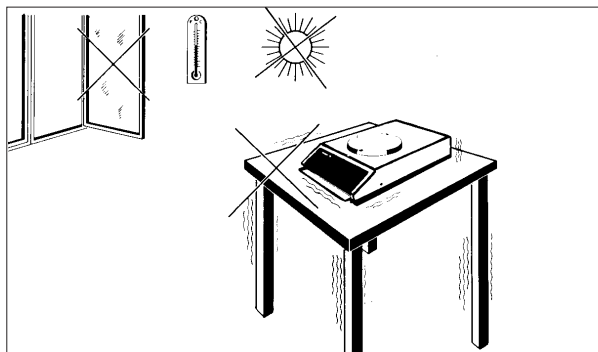
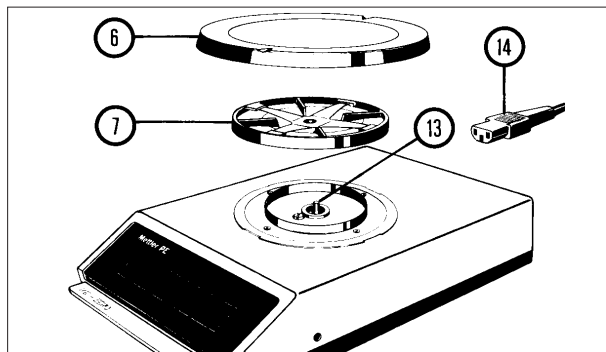
- Coiffer la balance du boîtier (10) en descendant celui-ci avec précaution et à la verticale.
- Monter le disque denté et ensuite la rondelle (9).
- Serrer la vis (8).

PREPARATION: Montage du plateau et installation de la balance

Le montage du porte-plateau et du plateau s'opère toujours de la même façon, que la housse soit montée ou non.

Votre balance PE est en mesure de fournir des résultats fiables, même lorsque les conditions de service ne sont pas idéales.

Il est recommandé de choisir, dans la mesure du possible, un emplacement pour la balance qui soit stable et à l'abri des courants d'air et des rayons du soleil. (Cela assure un affichage stable et rapide).



Montage du plateau

- Placer le porte-plateau (7) sur le cône (13).
- Placer le plateau (6) sur le porte-plateau (7).
- Brancher le câble secteur (14).

Emplacement

- Support stable et libre de vibrations.
- Pas d'écarts de température excessifs.
- Eviter le contact direct avec les rayons du soleil.
- Eviter les courants d'air.

Dans le cas où l'on devrait s'accommoder de conditions de service défavorables, se reporter au chapitre "POSSIBILITES SUPPLEMENTAIRES: redoublement du temps d'intégration".

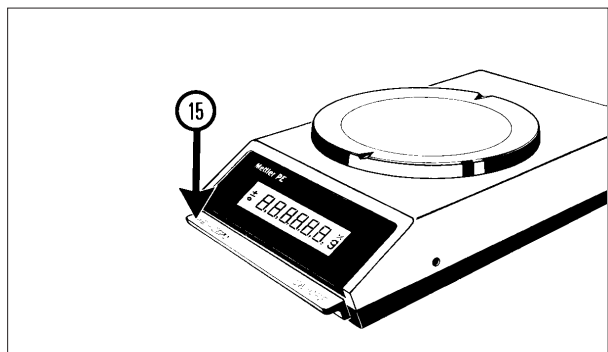
Niveau à bulle, garniture de montage

Ce niveau à bulle a été conçu pour les balances PE qui changent souvent d'emplacement. Une fois munie du niveau, la balance PE peut être mise de niveau chaque fois qu'elle change d'emplacement. Les performances de la balance s'en trouvent améliorées. Le niveau à bulle livré se compose du niveau (27) proprement dit et 2 vis de calage (28). Pour le montage, vous pouvez aussi vous faire aider par le service après-vente METTLER TOLEDO. N° de commande voir page 50.

COMMANDE: Mise sous tension et mise hors circuit de la balance

Si vous utilisez votre balance PE plusieurs fois par jour, nous vous conseillons de la laisser en permanence sous tension. Votre balance pourra ainsi atteindre et maintenir une température de service constante, ce qui lui assure une meilleure précision de pesée.

Il est également conseillé de mettre la balance sous tension avant de s'en servir, autrement dit, de respecter un temps d'échauffement suffisant.



Mise sous tension

- Appuyer brièvement sur la touche de commande (15). Tous les segments de l'affichage s'allument alors un instant, comme suit:

± 888888 g

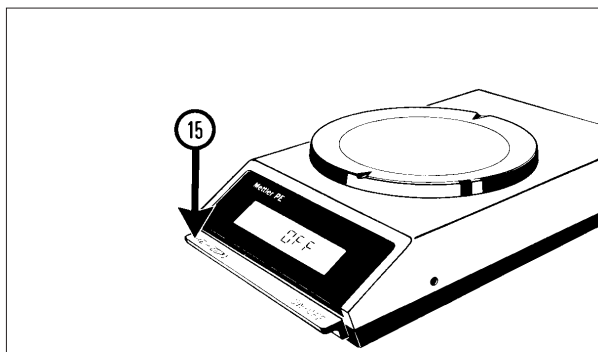
Cela vous permet de vérifier le bon fonctionnement de l'affichage.

Ensuite, la balance affiche zéro avec le nombre de décimales correspondant à votre modèle de balance.

Exemple:

0,00 g pour la PE200, PE400

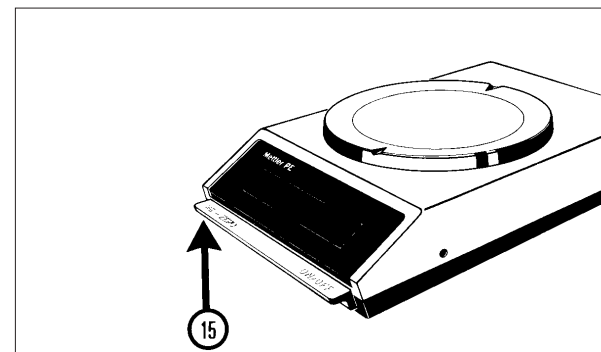
0,0 g pour la PE2000, PE4000



Affichage "OFF"

Si le courant est interrompu en cours de service, la balance affiche "OFF" dès que le courant est rétabli.

Il faut alors appuyer brièvement sur la touche de commande (15).



Mise hors circuit

- Soulever légèrement la touche de commande (15).

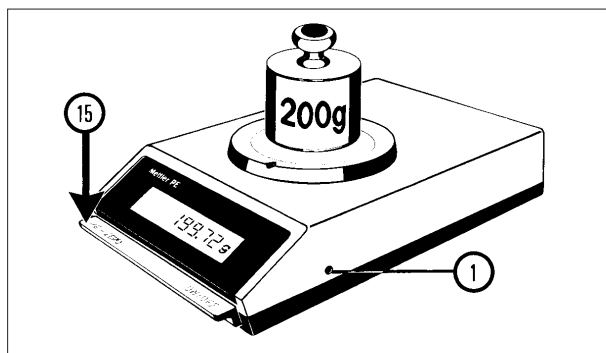
COMMANDE: Calibrage de la balance

A chaque changement d'emplacement, votre balance a besoin de calibrage, autrement dit, elle doit être réglée sur un affichage correct du poids. Ce n'est qu'alors que vos pesées seront précises.

Il faut mettre la balance sous tension au moins 30 minutes avant de procéder au calibrage (temps d'échauffement).

Pour calibrer, il vous faut des poids variant en fonction du modèle de votre balance. Ces poids sont indiqués au chapitre "ACCESSOIRES en option".

Il faut toujours manipuler avec précaution les poids de calibrage et ne jamais les toucher avec les mains.



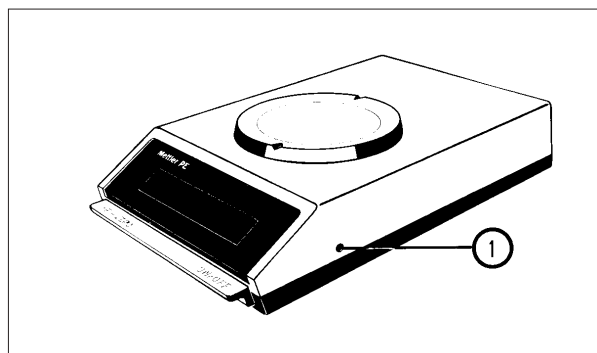
Contrôle du calibrage

- Appuyer sur la touche de commande (15). La balance affiche zéro.
- Placer le poids de calibrage sur le plateau et lire le résultat affiché.

Si la balance affiche le poids exact jusqu'à la dernière décimale, son calibrage est juste. Dans le cas contraire, il faut procéder au calibrage.

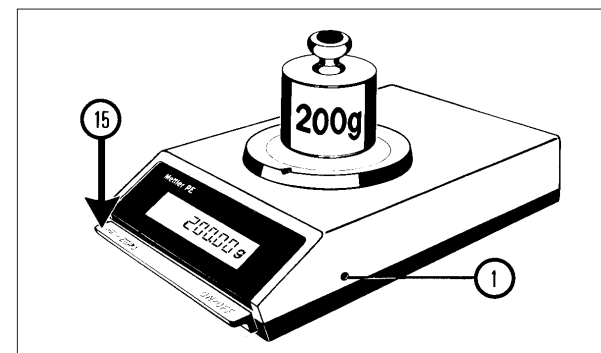
Corriger alors l'affichage au moyen de la vis de calibrage (1), comme indiqué dans la colonne centrale de cette page.

Après chaque correction procéder à un nouveau contrôle, comme indiqué dans la colonne de droite.



Correction de l'affichage

- Placer le poids de calibrage sur le plateau et appuyer sur la touche de commande.
- Retirer le poids de calibrage.
- Tourner la vis de calibrage (1) comme suit: Tourner dans le sens des aiguilles d'une montre lorsque le poids affiché est plus élevé que le poids de calibrage; tourner dans le sens inverse lorsque le poids affiché est inférieur au poids de calibrage. Chaque tour de vis entraîne une modification de l'affichage d'environ:
0,16 g sur la PE200, PE400 (poids de calibrage de 200 g),
1,6 g sur la PE2000, PE4000 (poids de calibrage de 2000 g).



Nouveau contrôle du calibrage

Après chaque correction effectuée au moyen de la vis de calibrage (1), contrôler le résultat comme suit:

- Appuyer sur la touche de commande (15). La balance affiche zéro.
- Placer le poids de calibrage sur le plateau et lire le résultat affiché.

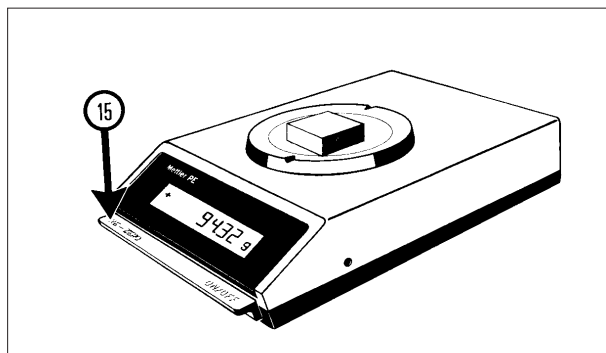
Si la balance affiche maintenant le poids exact jusqu'à la dernière décimale, la balance est prête pour le pesage. Dans le cas contraire, continuer à corriger l'affichage au moyen de la vis de calibrage (1), jusqu'à l'obtention de l'affichage correct.

COMMANDE: Pesage et tarage

La précision de mesure des balances PE est la même sur toute la plage de pesée.

La précision d'affichage de ces balances est encore accrue par l'arrondissement automatique des résultats.

Tarer signifie remettre l'affichage à zéro une fois le plateau chargé (par exemple, d'un récipient). C'est ainsi que, lors d'un dosage, le poids du récipient est automatiquement soustrait du poids total. La balance affiche seulement le poids des substances dosées. Les opérations de dosage peuvent se poursuivre tant que le poids du récipient plus celui des substances dosées ne dépasse pas la capacité de la balance.

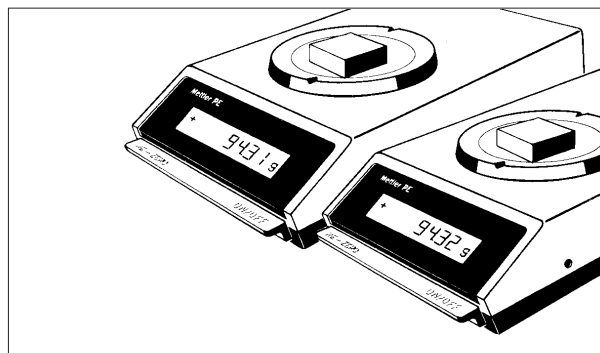


Pesage

- Appuyer brièvement sur la touche de commande (15) pour mettre l'affichage à zéro.
- Charger le plateau.
- Lire le résultat affiché.

En cas de dépassement de la capacité de la balance, l'affichage s'éteint, à l'exception des segments supérieurs des chiffres.

La balance signale ainsi l'état de surcharge.



Précision d'affichage (arrondissement des résultats)

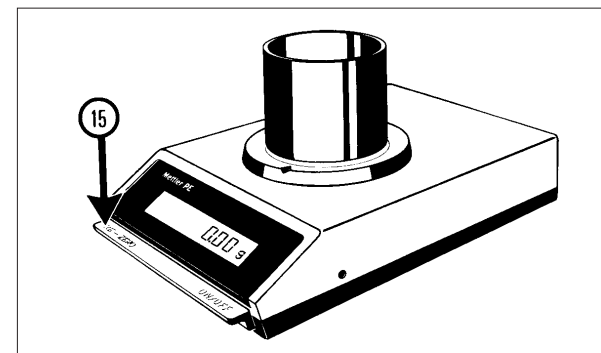
Votre balance mesure une décimale de plus qu'elle n'affiche. Cette dernière décimale mesurée par la balance est arrondie comme suit:

Exemples:

La balance mesure 94,314 g,
et affiche 94,31 g

ou encore:

La balance mesure 94,315 g,
et affiche 94,32 g.



Tarage

- Placer le récipient sur le plateau: la balance affiche le poids du récipient.
- Appuyer brièvement sur la touche de commande (15) pour tarer: la balance affiche zéro.

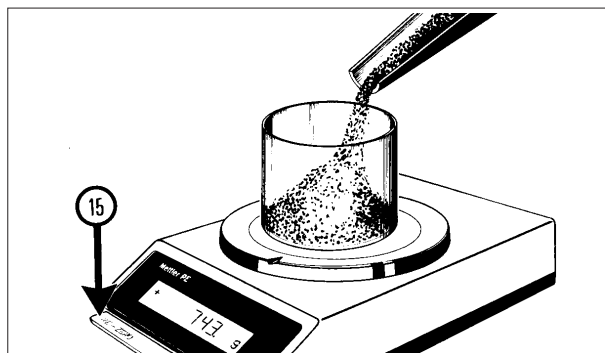
Pour les opérations de dosage, on dispose maintenant de la portée de la balance moins le poids du récipient.

Si le DeltaDisplay est branché (voir page suivante) et le tarage est effectué avant que l'affichage se soit stabilisé, ce dernier s'éteint complètement. Une fois la stabilisation atteinte, la balance affiche zéro.

COMMANDE: Dosage

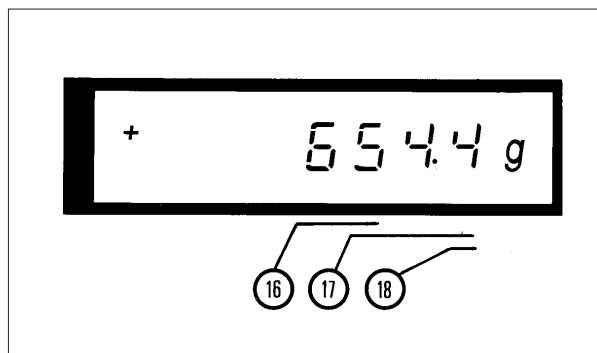
On appelle dosage l'opération qui consiste à introduire une substance solide ou liquide dans un récipient placé sur la balance, jusqu'à l'obtention du poids recherché. Toutes les balances PE sont dotées du DeltaDisplay qui simplifie considérablement les dosages: pour vous permettre de suivre sur l'affichage les variations de poids, la cadence d'affichage est automatiquement accélérée et la dernière décimale disparaît pour l'instant. En branchant le DeltaDisplay, on met également en route le détecteur automatique de stabilisation qui bloque la sortie des données tant que le résultat n'est pas rigoureusement stable.

Le DeltaDisplay et le détecteur automatique de stabilisation peuvent être débranchés à l'intérieur de la balance (voir à ce propos au chapitre "POSSIBILITES SUPPLEMENTAIRES").



Dosage

- Placer le récipient sur le plateau.
- Tarer pour mettre l'affichage à zéro.
- Introduire la substance à doser jusqu'à l'obtention du poids recherché.

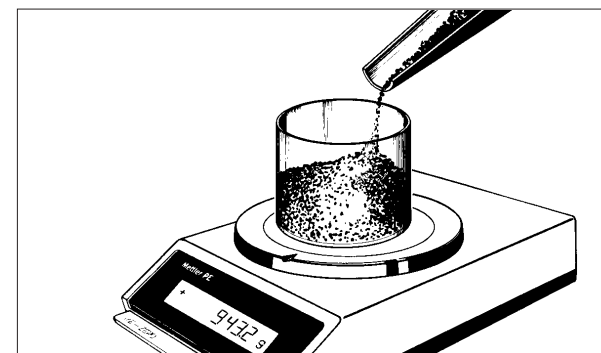


Lecture du poids affiché

Pendant le dosage rapide (dosage approximatif), observer seulement les deux chiffres de gauche (16).

Pendant le dosage précis, plus lent, observer particulièrement les chiffres de droite (17).

Lorsqu'on procède au dosage rapide, la cadence d'affichage est automatiquement accrue et la dernière décimale (18) s'éteint. Cette décimale réapparaît ensuite dès que l'on entreprend le dosage fin.



Dosage de plusieurs substances

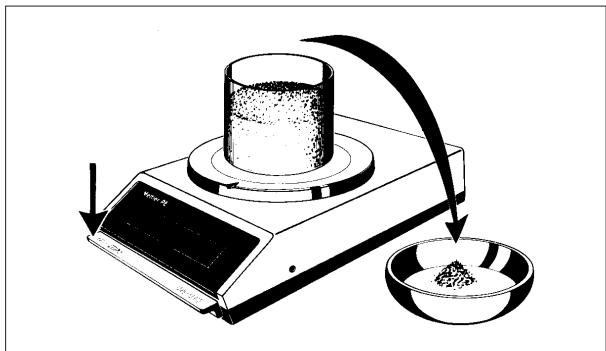
Lorsqu'on doit doser plusieurs substances dans le même récipient, on peut tarer après chaque dosage et effectuer le prochain dosage à partir de l'affichage zéro, jusqu'à ce que la capacité de la balance ait été atteinte, autrement dit,

210 g	sur la PE200
410 g	sur la PE400
2100 g	sur la PE2000
4100 g	sur la PE4000.

COMMANDE: Prélèvement et comparaison de poids

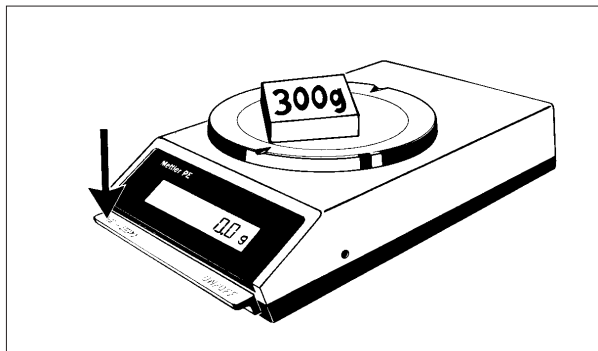
Il est possible de tarer un récipient plein. Cela permet de prélever le poids voulu du récipient en question.

Et l'on peut aussi tarer un poids nominal et obtenir ensuite l'affichage direct des écarts de poids par rapport au poids nominal.



Prélèvement

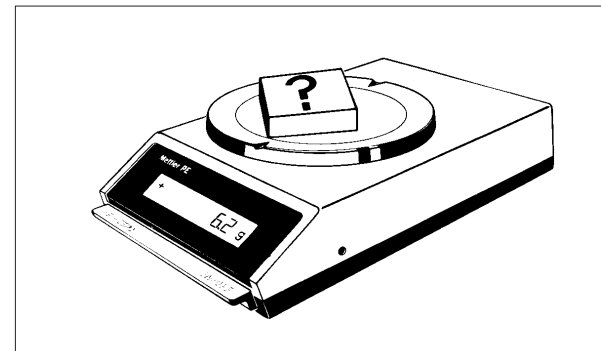
- Placer le récipient plein sur le plateau.
- Tarer pour mettre l'affichage à zéro.
- Prélever la quantité de substance voulue. Le poids prélevé est affiché sur la balance précédé du signe moins.



Mémorisation du poids nominal

- Placer le poids nominal sur le plateau.
- Tarer pour mettre la balance à zéro.
- Retirer le poids nominal. La balance affiche maintenant le poids nominal précédé du signe moins.
Exemple: -300,0 g.

Maintenant, vous pouvez obtenir l'affichage des écarts par rapport au poids nominal, comme suit:



Écarts de poids

- Placer l'objet à contrôler sur le plateau.

Si cet objet est plus lourd que le poids nominal, l'écart de poids est affiché sur la balance précédé du signe plus.

Exemple: -300,0 g + 306,2 g = +6,2 g

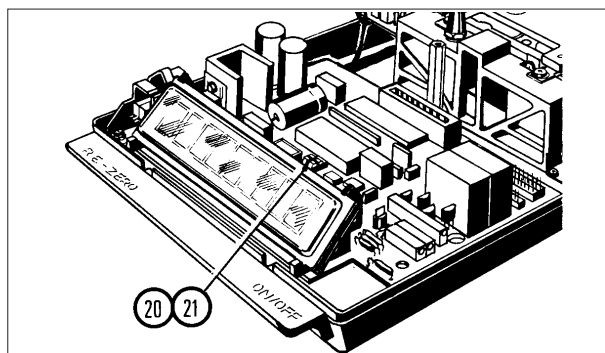
Si cet objet est plus léger que le poids nominal, la balance affiche l'écart de poids précédé du signe moins.

Exemple: -300,0 g + 294,2 g = -5,8 g

POSSIBILITES SUPPLEMENTAIRES: Pesage de corps et objets remuants, dispositif pour peser au-dessous de la balance

Toutes les balances PE sont livrées avec le DeltaDisplay branché. Lorsque le poids agissant sur la balance varie rapidement, la vitesse d'affichage s'accroît automatiquement et la dernière décimale de l'affichage disparaît. On peut débrancher le DeltaDisplay au moyen d'un interrupteur situé dans la balance. En plus, on peut redoubler le temps d'intégration, ce qui a pour conséquence de réduire de moitié la vitesse d'affichage. Cela permet d'adapter votre balance aux conditions de service et de stabiliser l'affichage.

Toutes les balances PE sont munies d'un dispositif pour peser au-dessous de la balance.



Pour débrancher le DeltaDisplay et redoubler le temps d'intégration:

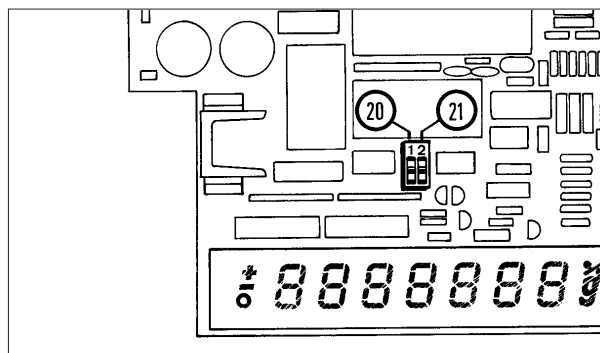
En cas de pesée d'objets ou corps instables (p. ex. animaux) ou encore en cas de courants d'air affectant la stabilité d'affichage, on peut stabiliser le résultat affiché en débranchant le DeltaDisplay et en redoublant le temps d'intégration.

Pour ce faire, vous pouvez vous faire aider par le service après-vente METTLER TOLEDO.

Procéder comme suit:

- Débrancher le câble secteur.
- Retirer le boîtier (voir page 40, "PRÉPARATION: Contrôle et réglage de la tension").

Les sélecteurs (20) (21) du DeltaDisplay et du temps d'intégration sont situés juste derrière l'affichage.



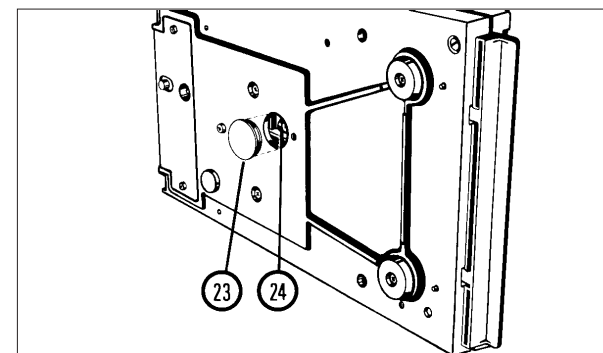
Le sélecteur à curseur de gauche (20) sert à brancher et débrancher le DeltaDisplay et le détecteur de stabilisation (DS).

- DeltaDisplay et DS branché: sélecteur du côté de l'affichage.
- DeltaDisplay et DS débranché: sélecteur dans la position éloignée de l'affichage.

Le sélecteur à curseur de droite (21) sert à régler le temps d'intégration:

- Temps d'intégration court: sélecteur du côté de l'affichage.
- Temps d'intégration long: sélecteur du côté éloigné de l'affichage.

Remettre en place le boîtier de la balance comme indiqué au chapitre "PRÉPARATION: Contrôle et réglage de la tension".



Pesées au-dessous de la balance

Un dispositif est prévu pour les cas où l'on ne peut pas placer l'objet à peser sur le plateau. Cet objet est alors suspendu à la cellule de pesée, ce qui implique que la table de pesée doit être munie d'un orifice.

- Retirer le plateau et le porte-plateau, et coucher la balance sur son flanc.
- Retirer le couvercle (23).
- Accrocher l'objet à peser au crochet (24).
- Installer la balance et remettre en place le porte-plateau et le plateau.
- Tarer une fois le dispositif de suspension accroché.

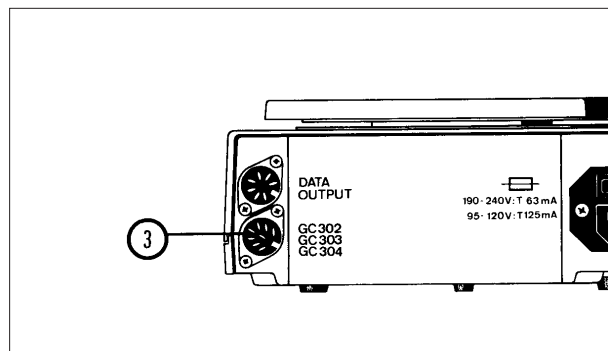
POSSIBILITES SUPPLEMENTAIRES: Modules d'entrée de fonction et sortie de données O5

Les modules d'entrée de fonction GC302, GC303 et GC304 sont des accessoires très utiles pour les balances PE200/400/2000/40004.

Ils permettent de réaliser des opérations particulières avec un maximum de commodité et de simplicité.

Une sortie de données (Option O5) est disponible pour toutes les balances PE200/400/2000/4000. Elle peut être commandée et aisément mise en place par l'utilisateur lui-même. A sa sortie d'usine, chaque balance PE est déjà munie des câbles et prises nécessaires pour recevoir la sortie de données.

Les balances PE200/400/2000/4000 peuvent être reliées à des périphériques divers, dont nous donnons un aperçu dans les deux pages suivantes, pour venir à bout d'applications particulières.



Prise pour modules d'entrée de fonction

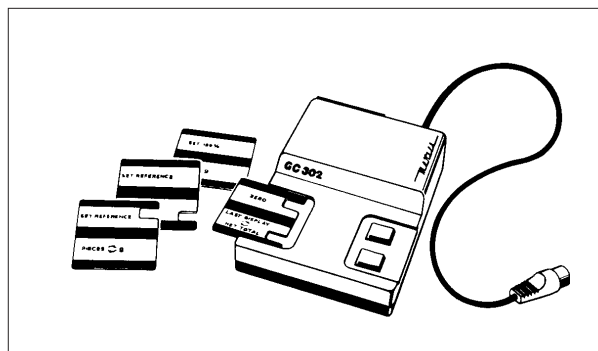
Chaque balance PE200/400/2000/4000 est munie d'une prise (3) permettant la connexion des modules d'entrée de fonction.

Modules d'entrée de fonction

Ces modules autorisent les applications ci-après:

Module d'entrée de fonction GC302

- Comptage de pièces
- Pesée en pourcent
- Affichage du poids total net
- Pesée d'animaux

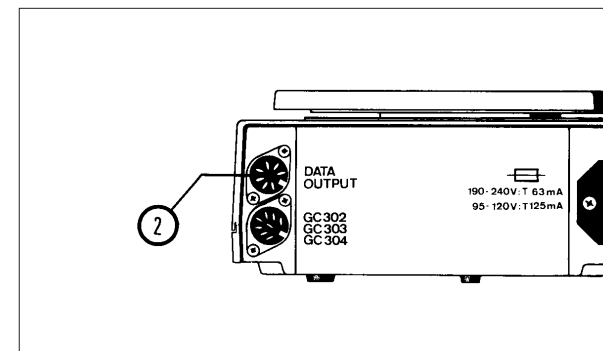


Module d'entrée de fonction GC303

- Comptage de pièces avec affichage en:
livres/grammes (lb/g)
onces/grammes (oz/g)

Module d'entrée de fonction GC304

- Pesées en grammes et dans les unités non-métriques suivantes:
 - Livres (lb)
 - Onces (oz)
 - Troy-onces (ozt)
 - Pennyweights (dwt)
 - Grains (GN)
 - Tael (tl)
 - Carats (C.M.)



Sortie de données O5

La sortie (2) permet de connecter les périphériques ci-après:

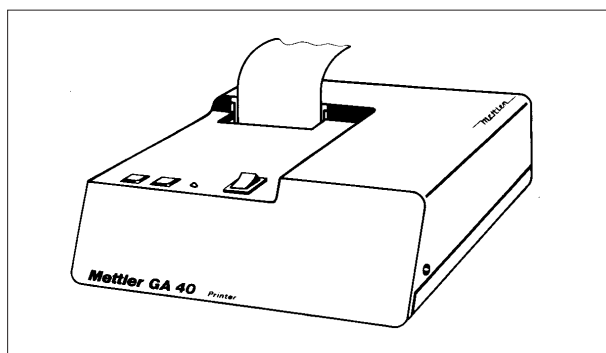
- Imprimante thermique GA40
- Unité d'affichage GC45
- Convertisseur digital/analogique GC47
(ces périphériques sont présentés sur la page suivante).

La sortie de données O5 pour le montage ultérieur doit être commandée sous le n° 47660.

PERIPHERIQUES: compatibles avec la sortie de données O5

Les trois périphériques présentés ci-dessous peuvent être reliés à chaque balance PE200/400/2000/4000 munie de la sortie de données O5 (voir page précédente).

Il est possible de connecter plusieurs périphériques en même temps.



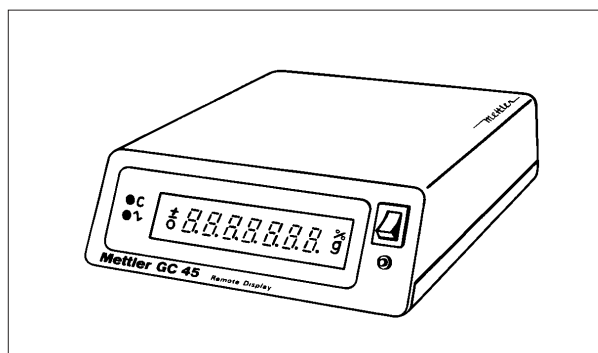
Imprimante thermique GA40

Elle permet d'imprimer les données de pesée. Imprimante thermique (écriture par points, sans ruban encreur) ne nécessitant aucun entretien; compacte, rapide et silencieuse.

Papier résistant à la lumière, insensible aux pressions, en rouleaux de 30 m permettant d'imprimer 5000 lignes environ.
Largeur du rouleau: 57 mm (2 1/4").

Alimentation propre: 110/130/220/240 V

Dimensions
(largeur x profondeur x hauteur):
185 x 200 x 60 mm



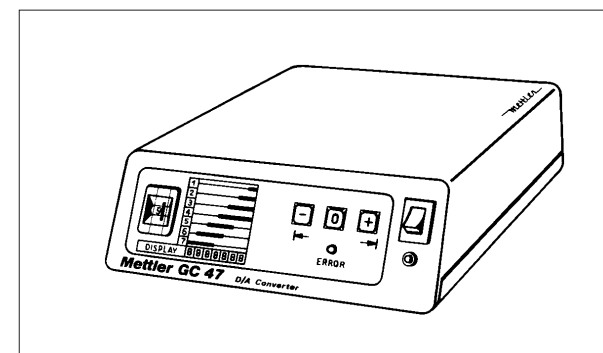
Unité d'affichage GC45

Pour le contrôle visuel des résultats, en dehors du poste de pesée.

Affichage identique à celui de la balance.

Alimentation propre: 110/130/220/240 V

Dimensions
(largeur x profondeur x hauteur):
185 x 200 x 60 mm



Convertisseur digital/analogique GC47

Il permet de préparer les données digitales fournies par la balance en vue de leur introduction dans des appareils à commande analogique tels qu'enregistreurs à tracé continu, etc.

Deux sorties: ± 10 V et ± 1 V

Sélecteur multiple pour la sélection des décades (par groupes de trois).

Alimentation propre: 110/130/220/240 V

Dimensions
(largeur x profondeur x hauteur):
185 x 200 x 60 mm

ACCESSOIRES

Accessoires en option:

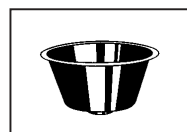
N° de commande

N° de commande



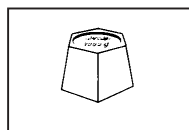
Poids de calibrage
étalonnés (selon les normes OIML)
200 g pour la PE200, 400
2000 g pour la PE2000, 4000

42053
42065



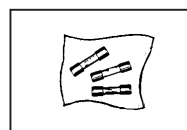
Plateau pour pesées d'animaux
(pour PE2000, 4000 seulement)

47644



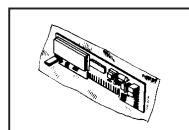
Poids de calibrage, non étalonnés
200 g pour la PE200, PE400
2000 g pour la PE2000, PE4000

47698
47699



Fusibles à action retardée (jeu de 3)
125 mA pour 95/120 V
63 mA pour 190/240 V

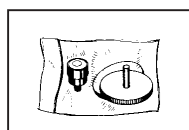
26172
46328



Sortie de données 05
(Garniture de montage)

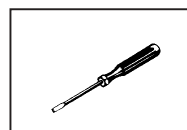
47660

Fournis avec la balance:



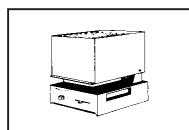
Niveau à bulle
(Garniture de montage)

47659



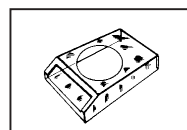
Tournevis

50279



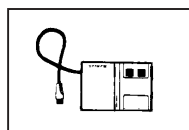
Dessiccateur
110/220 V, 140 VA

LP15B



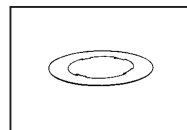
Housse de protection

47465



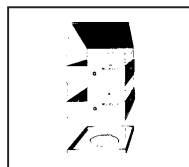
Module d'entrée de fonction

GC302
GC303
GC304



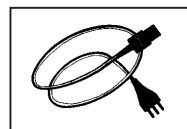
Bague de retenue de la housse

41156



Couvercle 46433 } Pare-brise
Élément 46432 } en plastique,
Base 43256 } avec 2 éléments
(pour PE200, 400 seulement)

43260



Câble secteur
neutre
Suisse
Allemagne
USA

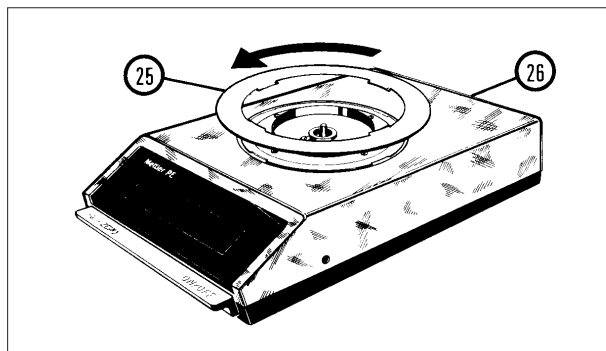
87576
87920
87925
88668

ENTRETIEN: Remplacement de la housse et du fusible

La housse livrée avec votre balance sert à protéger cette dernière contre les encrassements, les détériorations et les substances chimiques agressives. La housse est en matière plastique rigide et ne peut pas être pliée.

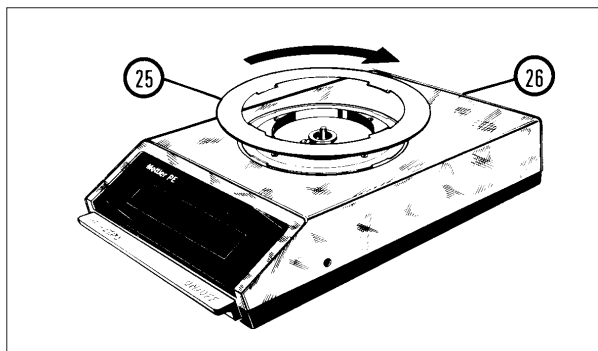
L'emploi de cette housse n'entrave en rien le parfait fonctionnement de la balance.

Un fusible de rechange est logé dans le porte-fusible. Dans le cas où le fusible fondrait de façon répétée et sans cause apparente, il faudra prévenir le service après-vente METTLER TOLEDO.



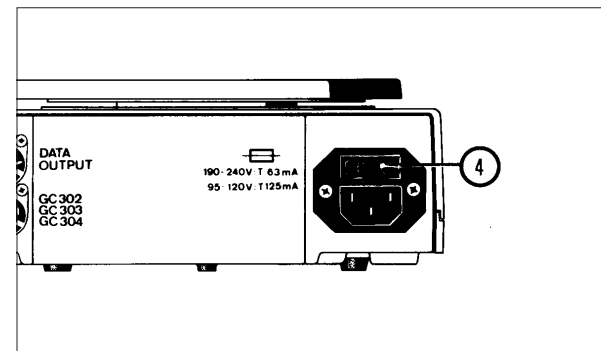
Pour retirer la housse

- Retirer le plateau et le porte-plateau.
- Tourner la bague de retenue (25) dans le sens inverse des aiguilles d'une montre, jusqu'à ce que vous puissiez l'enlever.
- Retirer la housse (26).
- Remonter le porte-plateau et le plateau.
(La bague de retenue n'est montée que lorsque la housse est utilisée).



Mise en place de la housse

- Retirer le plateau et le porte-plateau.
- Monter la housse (26).
- Positionner la bague de retenue (25), l'enclencher et la tourner à fond dans le sens des aiguilles.
- Remonter le porte-plateau et le plateau.



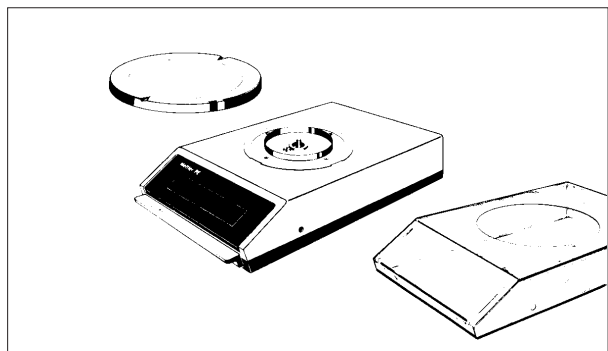
Remplacement du fusible

- Débrancher le câble secteur.
- Enlever le porte-fusible (4) à l'aide d'un tournevis.
- Retirer le fusible défectueux et le remplacer par un fusible en bon état, à action retardée (celui-ci est à prendre dans le porte-fusible).
- Valeur du fusible:
 - 125 mA pour 95/120 V
 - 63 mA pour 190/240 V
- Remettre en place le porte-fusible.
- Brancher le câble secteur.

ENTRETIEN: Calibrage et soins

Votre balance n'a besoin que d'un entretien très réduit. Il suffit de la nettoyer et de la calibrer à intervalles réguliers.

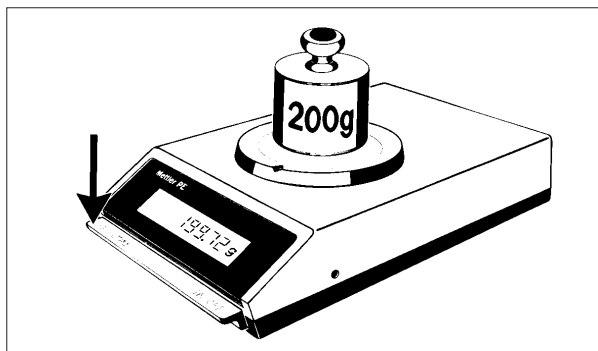
Il faut mettre la balance sous tension au moins 30 minutes avant de procéder au contrôle du calibrage. (Temps d'échauffement).



Nettoyage

Chaque fois que cela s'avère nécessaire, nettoyer le plateau, la housse de protection et, si besoin est, le boîtier de la balance.

Pour ce faire, éviter d'utiliser des solvants forts.

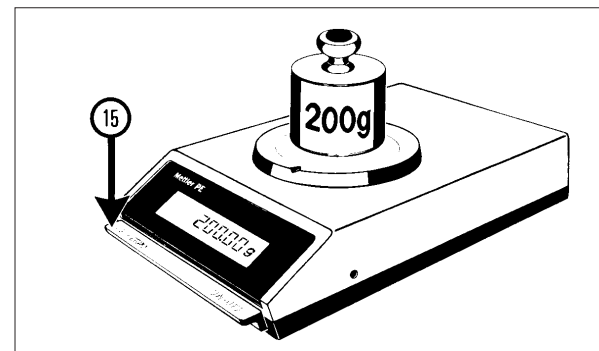


Calibrage

Pour que votre balance soit toujours en mesure de fournir des résultats de pesée précis, il faut la calibrer correctement.

Vérifier le calibrage à des intervalles réguliers, par exemple au moins une fois par mois si vous utilisez votre balance en permanence.

Pour savoir quel est le poids de calibrage correspondant au modèle de votre balance, voir au chapitre "ACCESSOIRES: en option".



Contrôle du calibrage

- Appuyer sur la touche de commande (15). La balance affiche zéro.
Auf der Anzeige erscheint Null.
- Placer le poids de calibrage sur le plateau et lire le résultat affiché.

Si la balance affiche la valeur du poids de calibrage avec une précision atteignant la dernière décimale affichée, c'est que votre balance est parfaitement calibrée.

Dans le cas contraire, il faut procéder à un nouveau calibrage, comme indiqué au chapitre "COMMANDE: Calibrage de la balance" (page 43).

QUE FAIRE ...

... lorsque l'affichage ne s'allume pas?

... lorsque seuls les segments supérieurs de l'affichage s'allument?

... lorsque seuls les segments inférieurs de l'affichage s'allument?

... lorsque l'affichage indique "OFF"?

... lorsque le résultat de pesée est instable?

... lorsque le résultat de pesée est manifestement faux?

Vérifier les causes d'anomalie suivantes:

- La balance n'est pas sous tension.
- Le câble secteur est débranché.
- Pas de tension secteur.
- Fusible défectueux (voir chapitre "ENTRETIEN: remplacement du fusible").
Au cas où le fusible fondrait plusieurs fois de suite, vérifier la tension de travail réglée sur la balance et la valeur du fusible;
si elles sont justes, prévenir le service après-vente METTLER TOLEDO.
- Balance trop chargée (la portée de la balance a été dépassée).
- Balance défectueuse (prévenir le service après-vente METTLER TOLEDO).
- Porte-plateau non monté.
- Plateau non monté.
- Housse de protection en contact avec le porte-plateau (bague de retenue de la housse non montée).
- La portée de la balance a été dépassée avant de décharger la balance (la surcharge n'est pas affichée, car il y a eu tarage et donc remise à zéro). Remède: tarer avec la balance à vide.
- La tension secteur a été interrompue: s'assurer que le câble secteur est bien branché des deux côtés. Remettre la balance sous tension au moyen de la touche de commande.
- La touche de commande n'a pas été correctement actionnée à la mise sous tension.
- Courant d'air (pour la PE200, PE400: utiliser le pare-brise, voir au chapitre "ACCESSOIRES: en option").
- Table de pesée instable.
- Objet à peser en mouvement, par exemple animal remuant (voir aussi chapitre "POSSIBILITES SUPPLEMENTAIRES").
- Sélecteur de tension mal placé (voir chapitre "PREPARATION: Contrôle de la tension").
- Balance placé sur un support non horizontal.
- Calibrage incorrect (voir aussi chapitre "COMMANDE: calibrage de la balance").
- Housse de protection en contact avec le porte-plateau (monter la bague de retenue).
- Le tarage n'a pas été effectué avant de peser (touche de commande non actionnée).
- Substance à peser en contact avec le pare-brise.

CARACTERISTIQUES TECHNIQUES

	PE200	PE400	PE2000	PE4000
Plage de pesée	210 g	410 g	2100 g	4100 g
Précision d'affichage	0,01 g	0,01 g	0,1 g	0,1 g
Plage de tarage (soustractive)	210 g	410 g	2100 g	4100 g
Température ambiante admissible (en cours de service)	10...+ 40 °C	10...+ 40 °C	10...+ 40 °C	10...+ 40 °C
Dérive de la sensibilité (10...30 °C)	$\pm 2 \cdot 10^{-5} / ^\circ\text{C}$	$\pm 1,2 \cdot 10^{-5} / ^\circ\text{C}$	$\pm 2 \cdot 10^{-5} / ^\circ\text{C}$	$\pm 1,2 \cdot 10^{-5} / ^\circ\text{C}$
Ecart du résultat (pour une dénivellation de 1 : 1000)	$\pm 0,02$ g	$\pm 0,02$ g	$\pm 0,2$ g	$\pm 0,2$ g
Reproductibilité	0,005 g	0,005 g	0,05 g	0,05 g
Linéarité	$\pm 0,015$ g	$\pm 0,015$ g	$\pm 0,15$ g	$\pm 0,15$ g
Temps de stabilisation (typique)		2 s		
Temps d'intégration		1,25 s / 2,5 s*		
Cadence d'affichage: DeltaDisplay débranché		0,6 s / 1,2 s*	* Temps d'intégration double	
DeltaDisplay branché		0,15 s / 0,3 s*		
Détecteur de stabilisation (sensibilité fixe)		peut être débranché		
Alimentation				
– Tension réglable sur		95V, 105V / 110V, 120V / 190V, 210V / 220V, 240V		
– Fluctuations de tension admissibles		+ 10 %		
– Fréquence		50...60 Hz		
– Puissance absorbée		10 VA environ		
Dimensions du boîtier de la balance (largeur x profondeur x hauteur)		194 x 310 x 65 mm		
Poids	3,7 kg		3,8 kg	
Plateau en acier au nickel-chrome	Ø 130 mm		Ø 170 mm	

Sortie de données METTLER TOLEDO 05: interface combiné à courant de boucle et tension.

Interface unidirectionnel à 2 conducteurs et séparation galvanique. Caractères alphanumériques, code ASCII/ISO à 7-bits et even parity.

Vitesse de transmission: 2400 bauds. Prise à 7 pôles, type Hirschmann Mab 7S.

Mode 03 (pour périphériques METTLER TOLEDO) Courant de boucle: 20 mA (passif)

Mode CL (pour instruments METTLER TOLEDO et pour instruments non-METTLER TOLEDO avec entrée à courant de boucle actif). Courant de boucle: 20 mA (passif)

Mode RS232 (pour instruments non-METTLER TOLEDO) Interface à tension suivant norme RS232C/V24

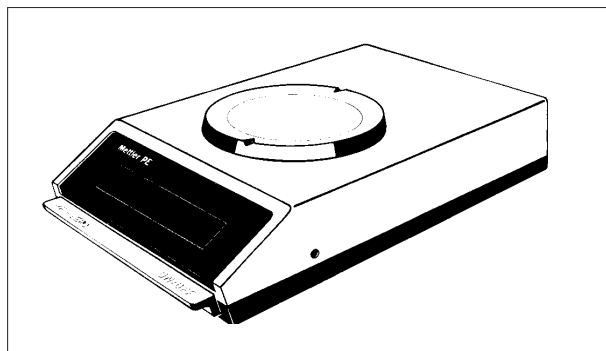
RESUMEN DE MODELOS

Estas instrucciones de manejo sirven para todas las balanzas aquí presentadas de la gama de modelos PE.

El manejo de estas balanzas es casi el mismo.

Son diferentes tan sólo el campo de pesada, la precisión de indicación y el tamaño del platillo.

Las balanzas PE tienen el METTLER TOLEDO DeltaDisplay, un modo de indicación especial para la dosificación.

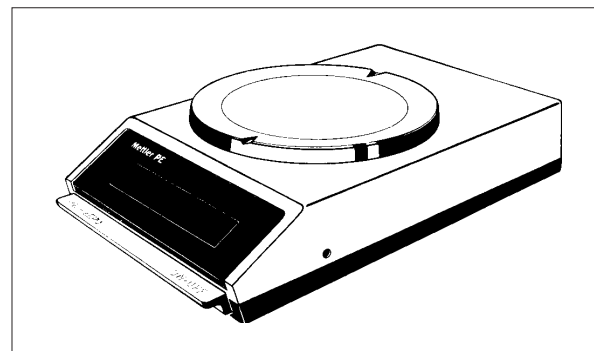


PE200

Campo de pesada: 210 g
Precisión de indicación: 0,01 g

PE400

Campo de pesada: 410 g
Precisión de indicación: 0,01 g

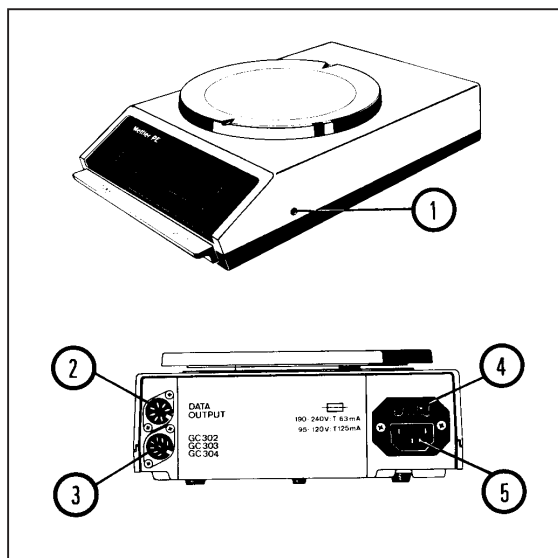


PE2000

Campo de pesada: 2100 g
Precisión de indicación: 0,1 g

PE4000

Campo de pesada: 4100 g
Precisión de indicación: 0,1 g



Elementos de mando y conexiones

- 1) Tornillo calibrador
- 2) Conexiones para salida de datos (Option 05)
- 3) Conexiones para unidades de función
GC302, GC303, GC304
- 4) Portafusibles (con fusible de reserva)
- 5) Conexión de la red

INDICE

Página

Preparación

Comprobación de la tensión	58
Colocación del platillo, instalación de la balanza	59

Manejo

Conexión o desconexión de la balanza	60
Calibración	61
Determinación del peso o tarado	62
Dosificación con DeltaDisplay	63
Pesada por extracción, comparaciones de pesos	64

Otras posibilidades

Carga movediza, dispositivo para pesar bajo la balanza	65
Unidades de función, salida de datos 05	66

Aparatos auxiliares (para salida de datos 05)

67

Accesorios

68

Mantenimiento

Cambio de funda protectora y de fusible	69
Limpieza y calibración	70

Fallos y motivos

71

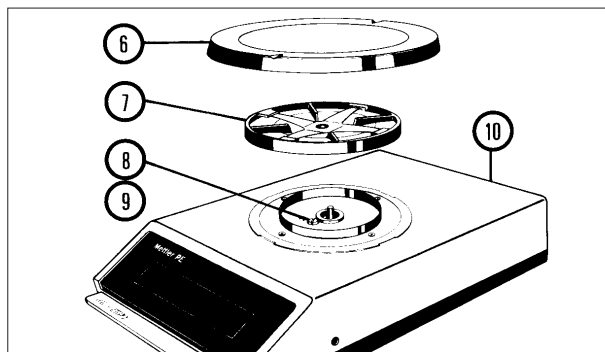
Características técnicas

72

PREPARACION: Comprobación y corrección de la tensión ajustada

La tensión ajustada en la balanza debe coincidir con la tensión de la red. Antes de la primera puesta en funcionamiento hay que comprobar dicho ajuste y, si es necesario, corregirlo. La tensión ajustada en fábrica está señalada en la conexión a la red (5). Si esta tensión coincide con su tensión de la red local, puede pasar por alto esta página.

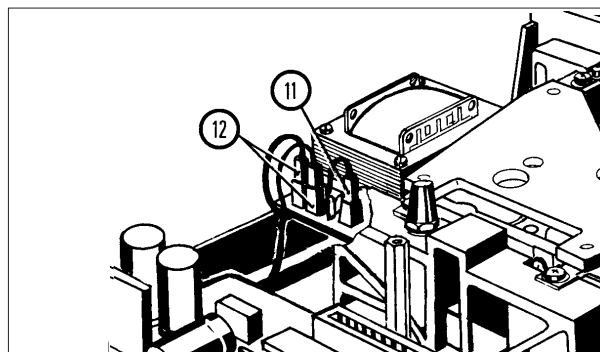
Pero si no es así, o falta la etiqueta, abra la caja de la balanza, compruebe la tensión ajustada en el selector de tensión y cámbiela si fuera preciso. Proceda después de la forma siguiente:



Abertura de la caja

Asegúrese antes de que el cable de la red no está enchufado

- Si el platillo (6) y su soporte (7) están ya montados, levántelos.
- Saque el tornillo (8), guarde la arandela dentada y la de apoyo (9).
- Levante con cuidado la parte superior de la caja (10) junto con la funda protectora si está montada.



Selector de tensión al lado de la célula

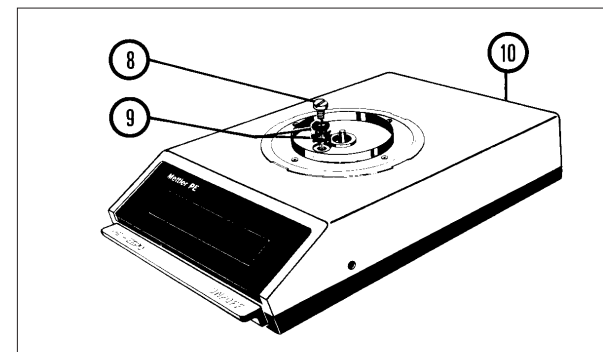
- Compruebe si el selector de tensión (11) está metido en la clavija que lleva marcada la tensión de su red.
- En caso necesario, saque el selector de tensión (11) y métalo en la clavija que corresponda a la tensión de su red.

Tensiones de trabajo permisibles:

95 V,	105 V	{ Inserte fusible
110 V,	120 V	{ de 125 mA
190 V,	210 V	{ Inserte fusible
220 V,	240 V	{ de 63 mA

Atención: Cuando se cambie la tensión de trabajo de 95...120 V a 190...240 V (o al revés), es necesario sustituir el fusible.

- Las dos clavijas (12) no deben invertirse.



Cierre de la caja de la balanza

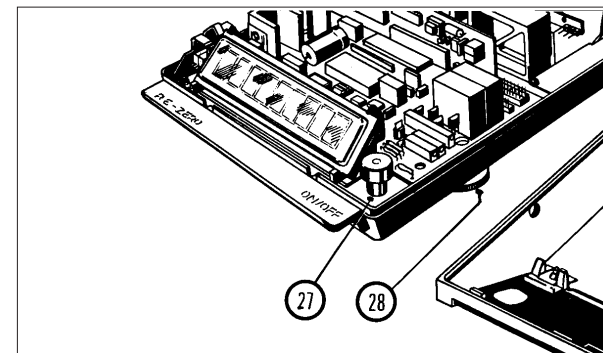
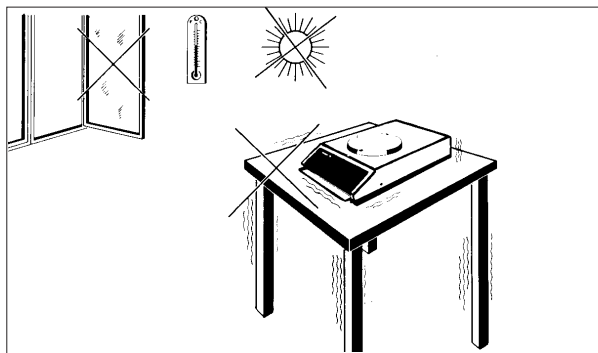
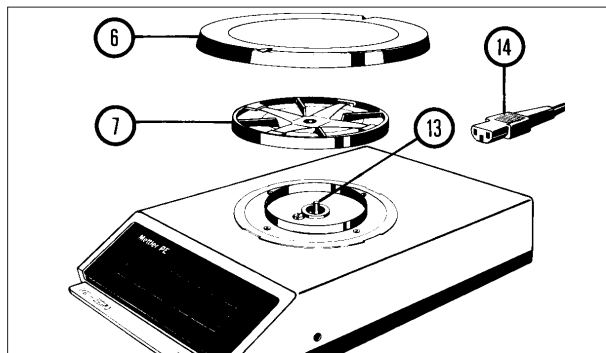
- Ponga con cuidado la parte superior de la caja (10) sobre la balanza, verticalmente desde arriba.
- Coloque primero la arandela dentada y luego la de apoyo (9).
- Enrosque el tornillo (8) y apriételo.

PREPARACION: Colocación del platillo e instalación de la balanza

La colocación de soporte y platillo se hace siempre de la misma forma, con independencia de que esté puesta o no la funda protectora.

Toda balanza PE proporciona datos fiables, incluso bajo condiciones de emplazamiento poco favorables.

Pero es preferible un emplazamiento a ser posible sin corrientes de aire, estable y no iluminado por el sol (indicación de peso tranquila y rápida).



Colocación del platillo

- Ponga el soporte del platillo (7) sobre el pivote cónico (13).
- Coloque el platillo (6) sobre su soporte.
- Enchufe el cable a la red (14).

Emplazamiento

- Base firme sin vibraciones.
- Sin fluctuaciones de temperatura excesivas.
- Evite los rayos solares directos.
- Emplazamiento sin corrientes de aire.

Si fuera preciso trabajar en condiciones de emplazamiento poco favorables, lea también el apartado "OTRAS POSIBILIDADES: aumento del tiempo de integración".

Suplemento de nivelación

Se ha diseñado este suplemento de nivelación para las balanzas PE que cambian a menudo de sitio. Con este dispositivo puede nivelarse la balanza PE en cada nuevo emplazamiento, con lo que su rendimiento se hace mayor. El suplemento contiene 2 tornillos de pie (28) y 1 nivel (27).

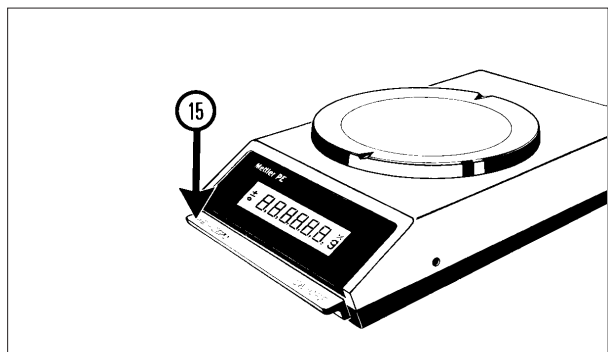
Para el montaje puede acudir también al servicio METTLER TOLEDO.

Nº de pedido vea página 68.

MANEJO: Forma de conectar o desconectar la balanza

Si utiliza Ud. su balanza PE varias veces al día, es conveniente que la deje conectada todo el día, con lo que alcanzará una temperatura de régimen constante y la exactitud de pesada se hará mayor.

Se recomienda conectar la balanza algo antes de comenzar a trabajar (tiempo de calentamiento).



Conexión de la balanza

- Pulse brevemente la tecla de mando (15); todos los segmentos del indicador se iluminan durante unos segundos:

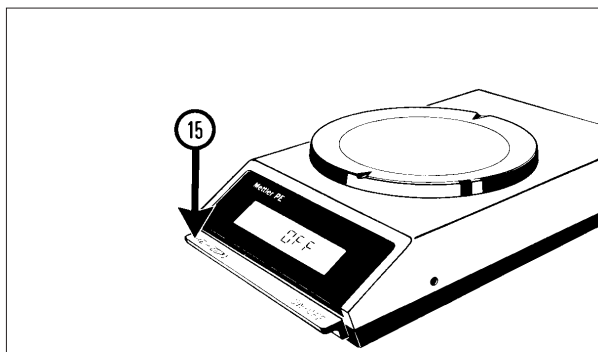
± 888888 g

Esto le permite controlar el indicador. A continuación aparece la indicación cero con tantos decimales como corresponda a la precisión de indicación de su modelo de balanza.

Por ejemplo:

0,00 g en la PE200, PE400

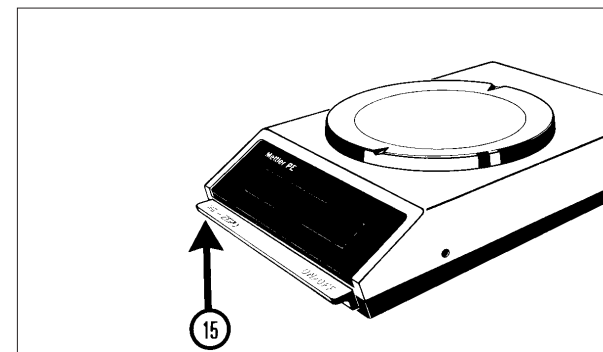
0,0 g en la PE2000, PE4000



Indicación OFF

Si durante el funcionamiento se produce un corte de corriente, aparece OFF en el indicador tan pronto como vuelve a haber tensión en la red.

Entonces tendrá que pulsar brevemente la tecla de mando (15).



Desconexión de la balanza

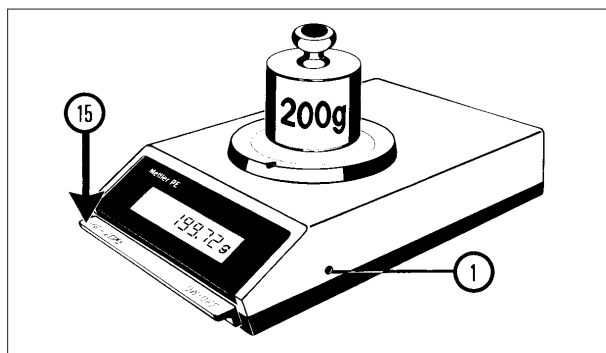
- Eleve la tecla de mando (15).

MANEJO: Forma de calibrar la balanza

Su balanza necesita calibración en cada nuevo emplazamiento, es decir, ser ajustada a la indicación de peso correcta; sólo entonces las pesadas son exactas. Antes de la calibración la balanza debe estar conectada durante 30 minutos, por lo menos (tiempo de calentamiento).

Para calibrar se necesitan – según el modelo de balanza – ciertas pesas de comprobación, que están reseñadas en “ACCESORIOS que se entregan a petición” para cada modelo de balanza.

Manipule siempre con cuidado estas pesas, no tocándolas con las manos.

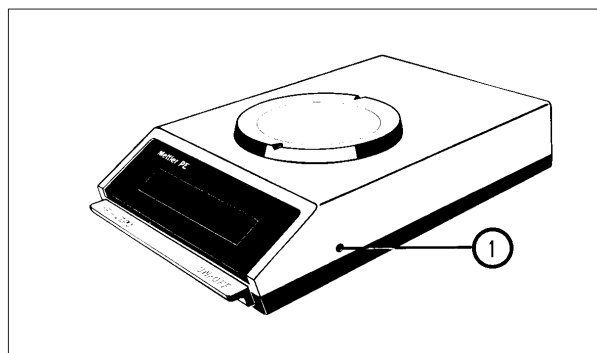


Comprobación de la calibración

- Pulse la tecla de mando (15): aparece cero en el indicador.
- Coloque la pesa de comprobación, lea el indicador.

Si la balanza señala el peso marcado en la pesa de comprobación exactamente hasta el último decimal, su balanza opera bien; en caso contrario necesita calibración:

Reajuste la calibración mediante el tornillo calibrador (1), tal como se describe en la columna central. Después de cada corrección, verifique la calibración; vea la columna derecha de esta página.



Reajuste de la calibración

- Coloque la pesa de comprobación y pulse la tecla de mando.
- Levante la pesa de comprobación.
- Gire el tornillo calibrador (1):

En el sentido de las agujas del reloj, cuando el peso señalado es mayor que el peso de comprobación.

En contra de las agujas del reloj, cuando el peso señalado es menor que el peso de comprobación.

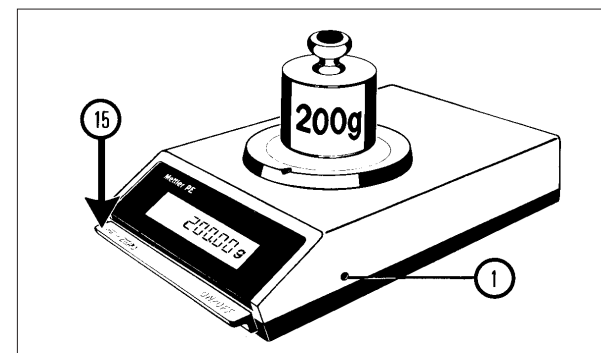
Una vuelta del tornillo hace variar la calibración aproximadamente en:

0,16 g en la PE200, PE400

(pesa de comprobación 200 g),

1,6 g en la PE2000, PE4000

(pesa de comprobación 2000 g).



Verificación de la calibración

Después de cada corrección mediante el tornillo (1) hay que verificar la calibración:

- Pulse la tecla de mando (15): Aparece cero en el indicador.
- Coloque la pesa de comprobación, lea el indicador.

Si la balanza señala ahora el peso marcado en la pesa de comprobación exactamente hasta el último decimal, está ya dispuesta para operar.

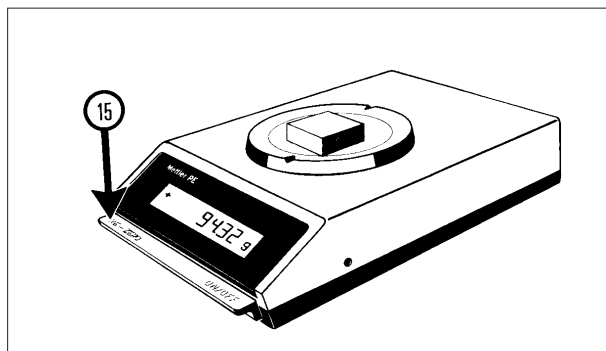
En caso contrario hay que volver a corregir mediante el tornillo (1) hasta que la balanza esté bien calibrada.

MANEJO: Forma de determinar el peso o de tarar

En las balanzas PE la precisión de medida es la misma en todo el campo de pesada.

Mediante el redondeo automático del resultado la precisión de indicación de las balanzas PE se hace aún mayor.

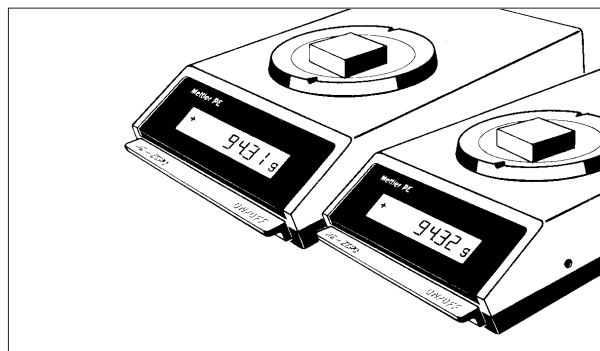
Tarar quiere decir poner el indicador otra vez a cero, mientras un peso cualquiera (por ejemplo, un recipiente) está sobre el platillo. Así, al dosificar el producto la balanza sustrae automáticamente el peso del recipiente del peso total. En el indicador aparece sólo el peso del producto añadido. La única limitación es que recipiente y producto juntos no deben sobrepasar el campo de pesada.



Pesada

- Pulse brevemente la tecla de mando (15) con lo que el indicador se pone a cero.
- Coloque la carga en el platillo.
- Lea la indicación del peso.

Si se sobrepasa el campo de pesada, se apaga el indicador excepto los segmentos superiores de las cifras: La balanza indica así que está sobrecargada.



Precisión de indicación

(redondeo del resultado)

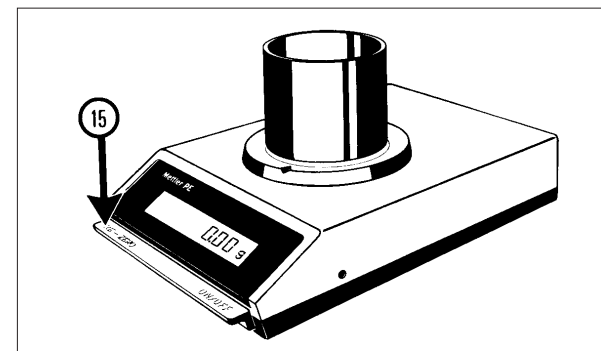
La medición de su balanza es siempre una cifra más precisa que su indicación. Esta última cifra medida se redondea según el principio de 4/5.

Ejemplo:

La balanza mide 94,314 g,
e indica 94,31 g

o bien

La balanza mide 94,315 g,
e indica 94,32 g.



Tarado

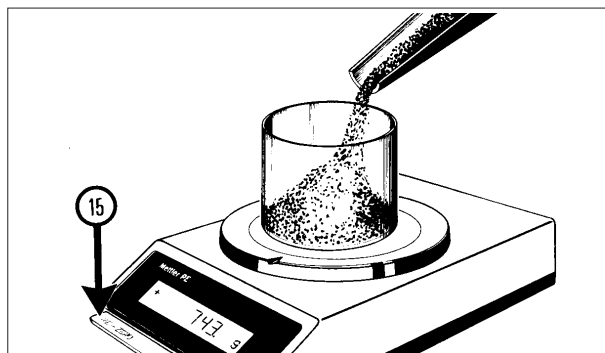
- Ponga el recipiente sobre el platillo: aparece su peso.
- Pulse brevemente la tecla de mando (15), es decir, tare: La balanza señala cero.

El campo de pesada de la balanza, deducido el peso del recipiente, está ahora disponible para la dosificación.

Si el DeltaDisplay está conectado (vea página siguiente) y se tara con la balanza sin estabilizar, se apaga el indicador completo hasta que esté estabilizada, en cuyo momento aparece el cero.

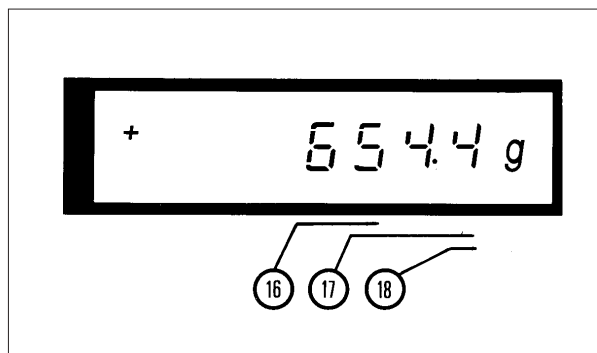
MANEJO: Forma de dosificar

Dosificar quiere decir agregar producto suelto o fluido en un recipiente puesto sobre la balanza hasta alcanzar un peso deseado (el peso teórico). Todas las balanzas PE van provistas del DeltaDisplay que simplifica considerablemente las dosificaciones: para que puede Vd. seguir en el indicador de la balanza las variaciones del peso, la velocidad de indicación se acelera automáticamente y el último decimal se apaga. Al conectar el DeltaDisplay se conecta al mismo tiempo el control de estabilización que bloquea la salida de datos hasta que el resultado de pesada se haya estabilizado por completo. El DeltaDisplay y el control de estabilización pueden desconectarse desde el interior de la balanza (véase el capítulo "OTRAS POSIBILIDADES DE LAS BALANZAS PE").



Dosificación

- Ponga el recipiente sobre el platillo.
- Tare (15): la balanza señala cero.
- Añada producto hasta el peso teórico deseado.

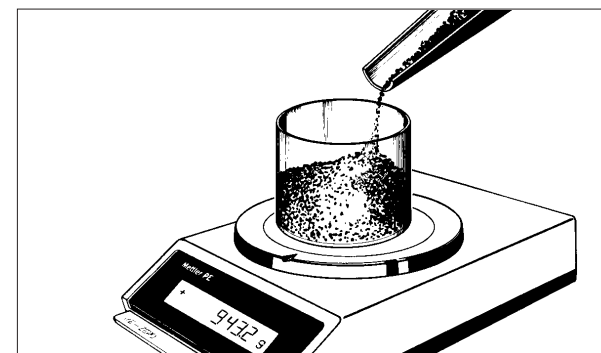


Lectura

Mientras agrega producto de prisa hasta cerca del peso teórico, observe sólo las primeras cifras (16).

Pero cuando dosifique despacio con precisión hacia el peso teórico, observe preferentemente las cifras de la derecha (17).

Mientras el peso está aumentando con rapidez, también aumenta automáticamente la velocidad del indicador y la última cifra (18) se apaga por el momento, pero vuelve a aparecer cuando se dosifica despacio.



Dosificación de varios productos

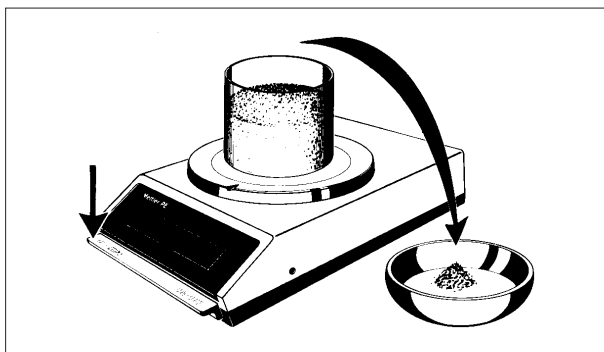
Si hay que dosificar diferentes productos, uno tras otro, puede tararse cada porción y luego dosificar otra vez a partir de cero, hasta que recipiente y producto juntos igualen el campo de pesada de la balanza:

- en la PE200: 210 g
- en la PE400: 410 g
- en la PE2000: 2100 g
- en la PE4000: 4100 g

MANEJO: Forma de pesar por extracción; forma de leer desviaciones del peso teórico

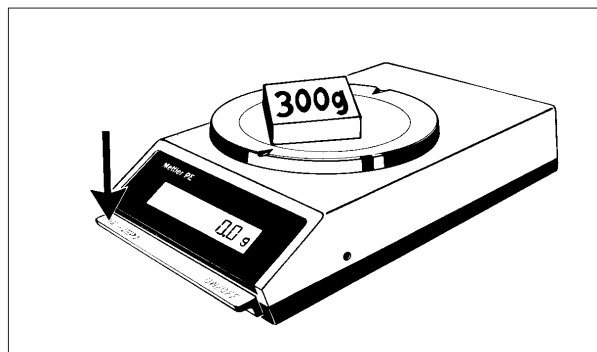
Un recipiente lleno de producto puede ser destarado. De esta manera es posible pesar por extracción de un recipiente.

También puede tararse un peso teórico (peso patrón), pudiendo así leerse directamente desviaciones de un patrón.



Pesada por extracción

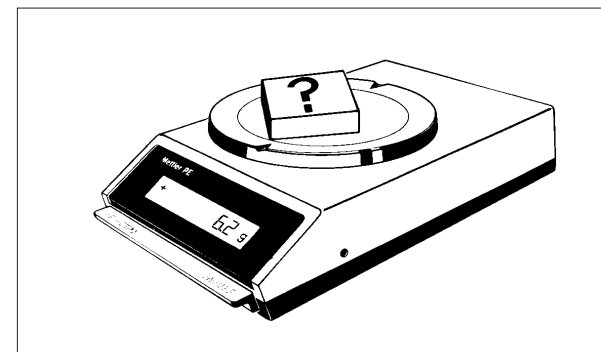
- Ponga el recipiente con producto sobre la balanza.
- Tare: la balanza señala cero.
- Retire producto: en el indicador aparece el peso retirado con signo negativo.



Fijación del peso teórico

- Coloque el peso teórico (pesas o patrón).
- Tare: la balanza señala cero.
- Retire el peso teórico.
En el indicador aparece ahora el peso teórico con signo negativo.
Por ejemplo.: -300,0 g

Ya puede Vd. leer directamente desviaciones de este peso teórico.



Determinación de la desviación

- Coloque la carga que va a comparar con el peso teórico.

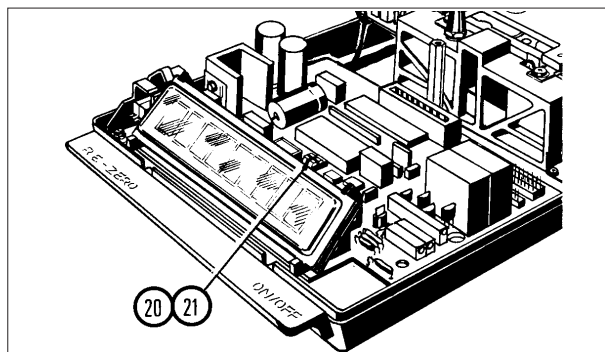
Si la carga pesa más, aparece en el indicador la desviación con signo positivo, pues:
 $-300,0 \text{ g} + 306,2 \text{ g} = +6,2 \text{ g}$

Si la carga pesa menos, aparece en el indicador la desviación con signo negativo, pues:
 $-300,0 \text{ g} + 294,2 \text{ g} = -5,8 \text{ g}$

OTRAS POSIBILIDADES DE LAS BALANZAS PE: Carga movediza, dispositivo para pesadas bajo la balanza

Toda balanza PE se entrega con DeltaDisplay conectado: mientras el peso varía con rapidez, la velocidad del indicador se hace automáticamente mayor y la última cifra se apaga temporalmente. El DeltaDisplay puede desconectarse mediante un conmutador interno. Además puede hacerse doble el tiempo de integración, el cambio del indicador tiene lugar entonces a la mitad de velocidad. Las balanzas PE pueden adaptarse así a condiciones más difíciles y los resultados inestables estabilizarse al valor correcto.

Todas las balanzas PE llevan un dispositivo de suspensión para pesar por debajo de la balanza.



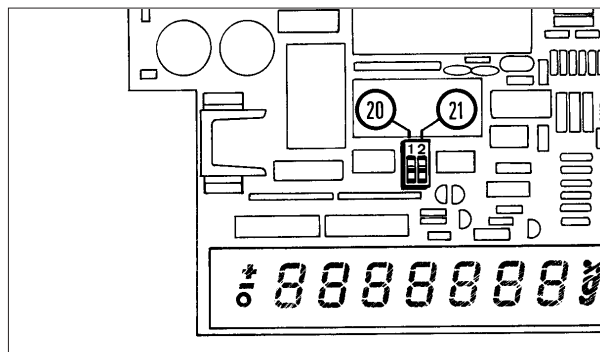
Conmutación de DeltaDisplay y tiempo de integración

Cuando hay que pesar carga movediza (p. ej. animales) o bajo agitación exterior (p. ej. corrientes de aire), el resultado puede estabilizarse desconectando el DeltaDisplay y doblando el tiempo de integración. Para ello puede Vd. acudir también al servicio METTLER TOLEDO.

Procedimiento:

- Saque el cable de la red.
- Abra la caja de la balanza (vea página 58, "PREPARACION: ajuste de la tensión").

Los conmutadores (20) (21) para el DeltaDisplay y el tiempo de integración se encuentran inmediatamente detrás del indicador.



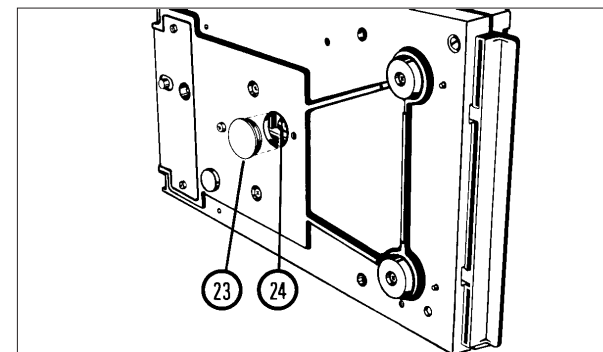
En el conmutador deslizante izquierdo (20) se cambian DeltaDisplay y control de estabilización (CE).

- DeltaDisplay y CE conectado: conmutador en el tope del lado del indicador.
- DeltaDisplay y CE desconectado: conmutador en el tope posterior.

En el conmutador deslizante derecho (21) se ajusta el tiempo de integración:

- Tiempo de integración corto: conmutador en el tope del lado del indicador.
- Tiempo de integración largo: conmutador en el tope posterior.

Vuelva a cerrar la caja (vea en "PREPARACION: ajuste de la tensión").



Dispositivo de suspensión

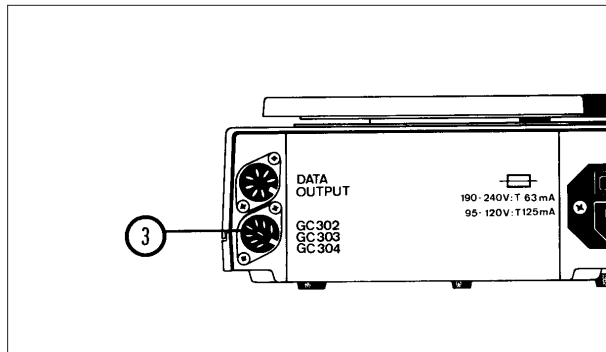
Para pesadas que no se puedan hacer sobre el platillo, hay disponible un dispositivo de suspensión. Para ello la carga se cuelga de la célula, lo que hace necesario un orificio en la mesa de pesar.

- Retire platillo y su soporte, tumbe la balanza de costado.
- Levante la tapa (23).
- Cuelgue la carga de los ganchos (24) por medio de montura.
- Ponga la balanza derecha, coloque soporte del platillo y platillo.
- Tare con la montura suspendida.

OTRAS POSIBILIDADES DE LAS BALANZAS PE: Unidades de función, salida de datos 05

Unos accesorios muy útiles para las balanzas PE200/400/2000/4000 son las unidades de función GC302, GC303 y GC304, que ofrecen la posibilidad de realizar de forma cómoda y sencilla diversas pesadas y funciones especiales.

Para cada balanza PE200/400/2000/4000 puede encargarse una salida de datos (opción 05) que el usuario puede montar sin la menor dificultad. Los cables y enchufes necesarios van ya incorporados en las balanzas PE200/400/2000/4000 de fábrica. Para las aplicaciones especiales, puede acoplarse la balanza a aparatos periféricos como los que se presentan en las dos páginas siguientes.



Conexión para unidades de función

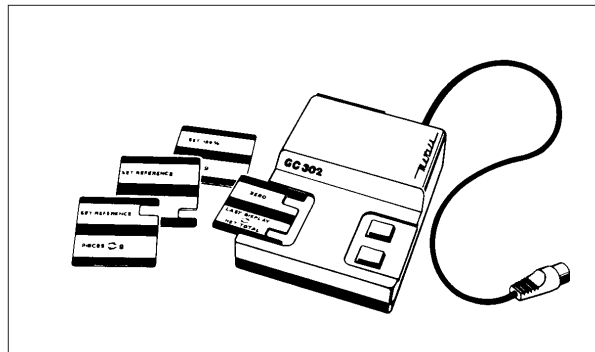
Toda balanza PE200/400/2000/4000 va provista de una conexión (3) para las unidades de función GC.

Unidades de función

Estas unidades permiten efectuar las operaciones siguientes:

Unidad de función GC302

- Recuento de piezas
- Pesada en porcentajes
- Pesada con indicación del peso total neto
- Pesada de animales

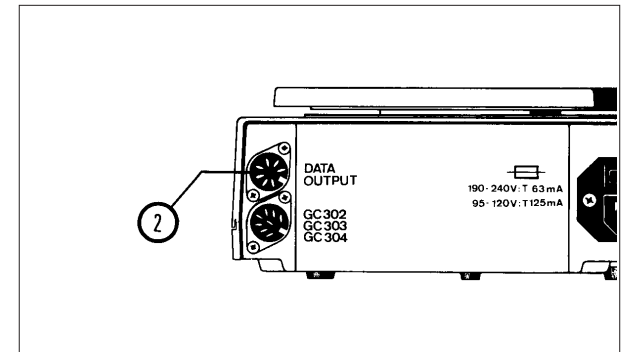


Unidad de función GC303

- Recuento de piezas con indicación del peso en:
libras/gramos (lb/g)
onzas/gramos (oz/g)

Unidad de función GC304

- Pesadas en gramos y en las unidades no métricas siguientes:
 - libras (lb)
 - onzas (oz)
 - onzas de troy (ozt)
 - penny weights (dwt)
 - granos (GN)
 - tael (tl)
 - quilates (C.M.)



Salida de datos 05

A la salida de datos (2) pueden conectarse los aparatos auxiliares siguientes:

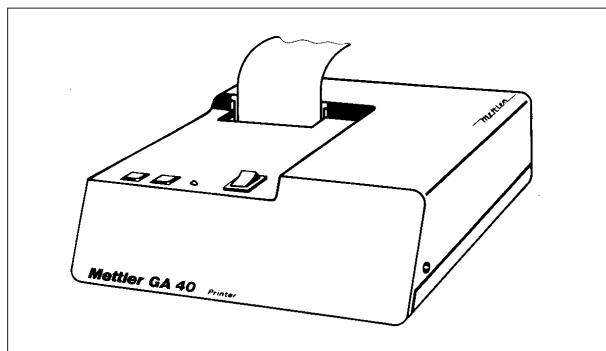
- Termoimpresora GA40
- Indicador complementario GC45
- Convertidor digital/análogo GC47 (Estos aparatos se presentan en la página siguiente).

Con el "Suplemento Option 05" (nº de pedido 47660), su balanza puede ser dotada posteriormente de la salida de datos 05.

APARATOS AUXILIARES: Salida y tratamiento de datos

Los tres aparatos auxiliares que se presentan en esta página pueden acoplarse a cualquier balanza PE200/400/2000/4000, siempre que vaya provista de una salida de datos 05 (vea página anterior).

Pueden acoplarse simultáneamente varios aparatos auxiliares.



Termoimpresora GA40

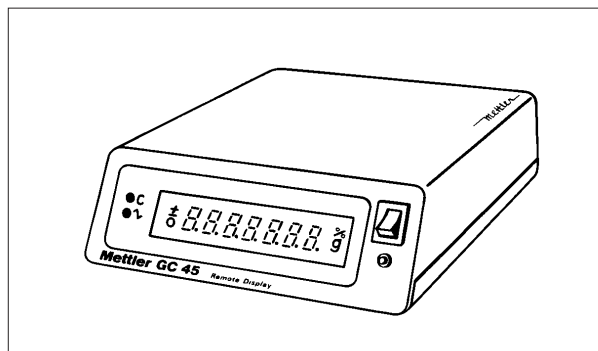
Para el registro escrito de los datos de pesada.
Termoimpresora libre de mantenimiento (registrador de puntos sin cinta de escribir); pequeña, rápida, silenciosa.

Papel sólido a la luz, insensible a la presión mecánica; rollos de 30 metros de longitud para unas 5000 líneas de escritura.

Anchura de banda 57 mm (2 1/4").

Alimentación propia 110/130/220/240 V

Anchura x fondo x altura: 185 x 200 x 60 mm



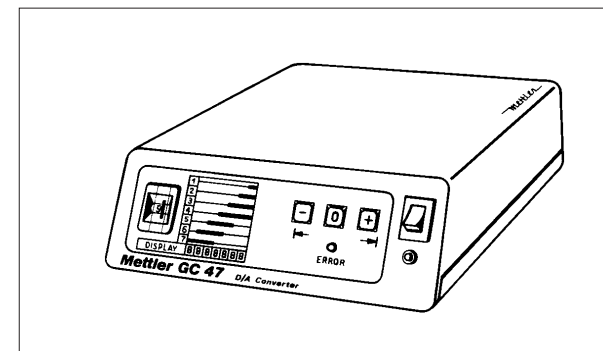
Indicador complementario GC45

Para el control visual de los resultados de pesada fuera del puesto de pesada.

Indicador totalmente idéntico al de la propia balanza.

Alimentación propia 110/130/220/240 V

Anchura x fondo x altura: 185 x 200 x 60 mm



Convertidor digital analógico GC47

Para el tratamiento de los datos de pesada (digitales) que salen de la balanza para su introducción en aparatos con mando analógico, por ejemplo, registradores de línea continua.

2 salidas: ± 10 V, ± 1 V

Conmutador múltiple para selección decádica (grupos triples).

Alimentación propia 110/130/220/240 V

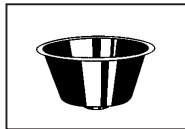
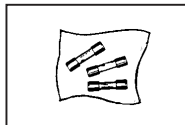
Anchura x fondo x altura: 185 x 200 x 60 mm

ACCESRIOS


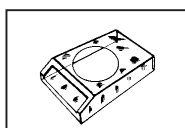
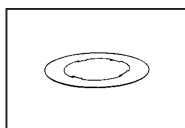
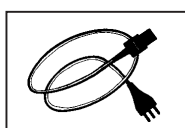
Se entregan a petición:

	Nº de pedido
	<p>Pesas de calibración verificadas (según las normas OIML)</p> <p>200 g para PE200/400 42053</p> <p>2000 g para PE2000/4000 42065</p>
	<p>Pesas de calibración, no verificados</p> <p>200 g para PE200, PE400 47698</p> <p>2000 g para PE2000, PE4000 47699</p>
	<p>Suplemento para salida de datos 05 47660</p>
	<p>Suplemento de nivelación 47659</p>
	<p>Accesorio de desecación LP15B 110/220 V, 140 VA</p>
	<p>Unidad de función GC302 GC303 GC304</p>
	<p>Tapa 46433 } Suplemento 46432 } Corta-aíres de plástico Parte inferior 43256 } con 2 suplementos (utilizable sólo en PE200, 400) 43260</p>

Nº de pedido

	<p>Platillo para animales (utilizable sólo en PE2000/4000) 47644</p>
	<p>Fusibles (juego de 3 unidades)</p> <p>125 mA lentos para (95/120 V) 26172</p> <p>63 mA lentos para (190/240 V) 46328</p>

Acompañan la balanza:

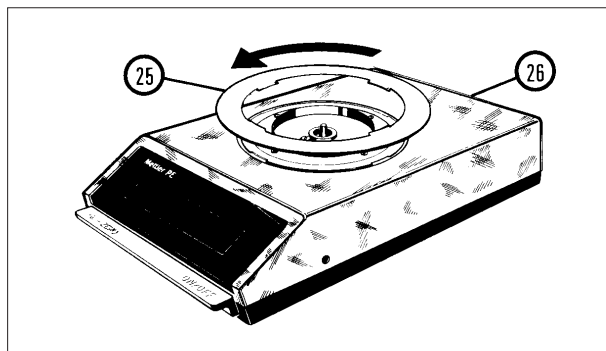
	<p>Destornillador 50279</p>
	<p>Funda protectora 47465</p>
	<p>Anillo de retención para funda protectora 41156</p>
	<p>Cable de la red</p> <p>Neutro 87576</p> <p>Suiza 87920</p> <p>Alemania 87925</p> <p>EE.UU. 88668</p>

MANTENIMIENTO: Cambio de funda protectora y de fusible

A fin de proteger la caja de la balanza contra el polvo, el deterioro y los agentes corrosivos, la balanza se entrega con una funda montada, que es de plástico rígido y no puede doblarse. En modo alguno la funda protectora entorpece el trabajo con la balanza.

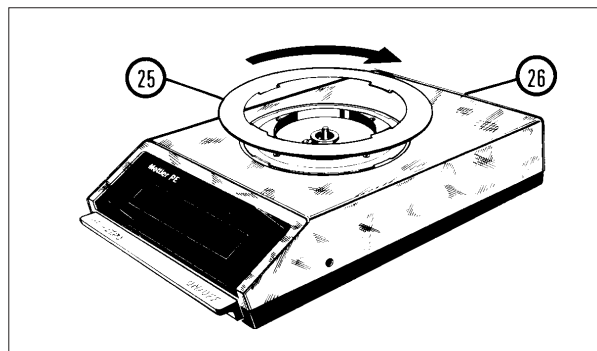
Para el caso en que el fusible falle, el portafusibles lleva otro fusible de reserva.

Si hay que cambiar el fusible repetidas veces sin motivo claro, debe avisar al servicio METTLER TOLEDO.



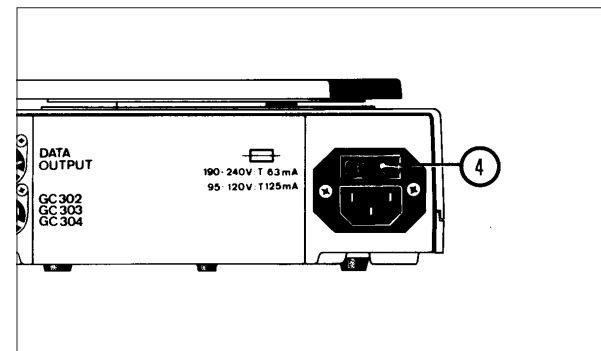
Modo de quitar la funda

- Retire platillo y su soporte.
- Gire el anillo de retención (25) en sentido contrario a las agujas del reloj hasta que quede suelto y pueda levantarse.
- Quite la funda (26).
- Vuelva a colocar el soporte del platillo y el platillo.
(El anillo de retención se monta sólo cuando hay puesta una funda protectora).



Colocación de la funda

- Retire el platillo y su soporte.
- Coloque la funda (26).
- Ponga el anillo de retención (25), engránelo y gírelo hasta tope en el sentido de las agujas del reloj.
- Vuelva a montar el soporte del platillo y el platillo.



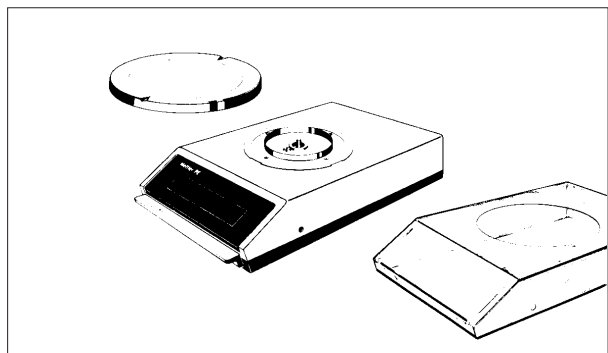
Cambio del fusible

- Saque el cable de la red.
- Extraiga el portafusibles (4) con un destornillador.
- Retire el fusible defectuoso e inserte uno nuevo. (Fusible de reserva del portafusibles).
Valor del fusible:
125 mA lento para 95/120 V
63 mA lento para 190/240 V
- Vuelva a introducir el portafusibles.
- Enchufe el cable a la red.

MANTENIMIENTO: Limpieza y calibración

Su balanza requiere muy pocos trabajos de mantenimiento: sólo debe ser limpiada y calibrada periódicamente.

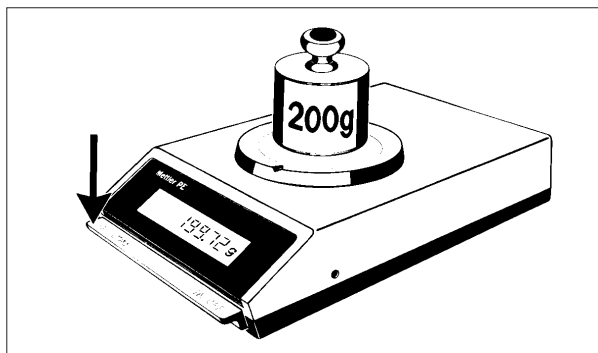
Antes de comprobar la calibración, la balanza ha de estar conectada, por lo menos, durante 30 minutos.



Limpieza

Cuando haga falta debe limpiarse platillo, funda protectora y a veces la caja de la balanza.

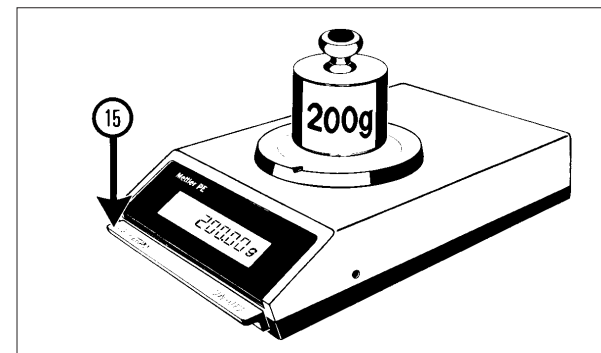
A ser posible, no utilice disolventes fuertes.



Calibración

Para que su balanza proporcione siempre resultados de pesada exactos, ha de estar debidamente calibrada.

Compruebe la calibración de vez en cuando, por ejemplo, una vez al mes en el caso de servicio permanente. La pesa de comprobación destinada a su modelo de balanza está detallada en "ACCESRIOS que se entregan y petición".



Comprobación de la calibración

- Pulse la tecla de mando (15): aparece cero en el indicador.
- Coloque la pesa de comprobación, lea el indicador.

Su balanza operará correctamente cuando señale el peso marcado en la pesa de comprobación, exactamente hasta el último decimal; en caso contrario, necesita ser calibrada.

Para tal fin consulte "MANEJO: forma de calibrar la balanza" (página 61).

FALLOS

No se ilumina ninguna parte del indicador

En el indicador sólo se iluminan los segmentos superiores

En el indicador sólo se iluminan los segmentos inferiores

El indicador señala "OFF"

El resultado de pesada es muy inestable

El resultado de pesada es claramente erróneo

MOTIVOS

- La balanza no está conectada.
- El cable de la red no está enchufado.
- No hay tensión en la red.
- El fusible falla (vea "MANTENIMIENTO: cambio del fusible").
en caso de repetición: compruebe la tensión de trabajo ajustada y el valor del fusible; si ambas son correctas: acuda al servicio METTLER TOLEDO.
- Demasiado peso sobre el platillo (sobrepasado el campo de pesada).
- Algún fallo en la balanza (avise al servicio METTLER TOLEDO).
- No está colocado el soporte del platillo.
- No está colocado el platillo.
- La funda protectora roza el soporte del platillo
(no está montado el anillo de retención de la funda).
- Antes de descargar la balanza se ha sobrepasado el campo de pesada
(la sobrecarga no se manifiesta, pues se compone de tara y pesada).
Remedio: tare con la balanza descargada.
- Fallo en la tensión de la red: compruebe que los dos enchufes del cable de alimentación están bien asentados. Vuelva a conectar la balanza con la tecla de mando.
- La tecla de mando no ha sido pulsada del todo al conectar.
- Hay corrientes de aire
(PE200, PE400: use corta-aíres, vea "ACCESORIOS: que se entregan a petición").
- La mesa de pesar es inestable
- La carga es movediza, por ejemplo, animales (vea "OTRAS POSIBILIDADES").
- Mal ajustada la tensión en el selector de tensión
(vea "PREPARACION: comprobación de la tensión ajustada").
- La balanza está puesta en una base inclinada.
- La calibración no está bien (vea "MANEJO: forma de calibrar la balanza").
- La funda protectora roza el soporte del platillo (monte anillo de retención).
- No se ha tarado antes de la pesada (no se ha pulsado la tecla de mando).
- La carga roza el corta-aíres que pueda haber montado.

CARACTERISTICAS TECNICAS

	<u>PE200</u>	<u>PE400</u>	<u>PE2000</u>	<u>PE4000</u>
Campo de pesada	210 g	410 g	2100 g	4100 g
Precisión de indicación	0,01 g	0,01 g	0,1 g	0,1 g
Zona de tarado (sustractiva)	210 g	410 g	2100 g	4100 g
Temperatura ambiente permisible (en operación)	10...+ 40 °C	10...+ 40 °C	10...+ 40 °C	10...+ 40 °C
Deriva de sensibilidad (10...30 °C)	$\pm 2 \cdot 10^{-5} / ^\circ\text{C}$	$\pm 1,2 \cdot 10^{-5} / ^\circ\text{C}$	$\pm 2 \cdot 10^{-5} / ^\circ\text{C}$	$\pm 1,2 \cdot 10^{-5} / ^\circ\text{C}$
Desviación del resultado (en posición inclinada de 1 : 1000)	$\pm 0,02$ g	$\pm 0,02$ g	$\pm 0,2$ g	$\pm 0,2$ g
Reproducibilidad	0,005 g	0,005 g	0,05 g	0,05 g
Linealidad	$\pm 0,015$ g	$\pm 0,015$ g	$\pm 0,15$ g	$\pm 0,15$ g
Tiempo de estabilización (típico)		2 s		
Tiempo de integración		1,25 s / 2,5 s*		
Secuencia de indicación: DeltaDisplay desconectado		0,6 s / 1,2 s*		* Tiempo de integración doblado
DeltaDisplay conectado		0,15 s / 0,3 s*		
Control de estabilización (sensibilidad fija)		desconectable		
Alimentación eléctrica				
– Tensión seleccionable		95V, 105V / 110V, 120V / 190V, 210V / 220V, 240V		
– Fluctuaciones de tensión permisibles		+ 10 %		
– Frecuencia		50...60 Hz		
– Potencia absorbida		unos 10 VA		
Tamaño de la caja (anchura x fondo x altura)		194 x 310 x 65 mm		
Peso	3,7 kg		3,8 kg	
Platillo (acero al cromo-níquel)	Ø 130 mm		Ø 170 mm	

Salida de datos METTLER TOLEDO 05: interfase combinada de corriente de lazo y tensión

Interfase unidireccional de 2 conductores con separación galvánica. Caracteres alfanuméricos, código ASCII/ISO, 7-bits, even parity.

Velocidad de transmisión: 2400 baudios. Conector hembra de 7 polos, tipo Hirschmann Mab 7S.

Modo 03 (para aparatos auxiliares METTLER TOLEDO) Corriente de lazo: 20 mA (pasiva)

Modo CL (para aparatos METTLER TOLEDO CL y aparatos no de METTLER TOLEDO con entrada de corriente de lazo activa) Corriente de lazo: 20 mA (pasiva)

Modo RS232 (para aparatos no de METTLER TOLEDO) Interfase de tensión según norma RS232C/V24.

To protect your METTLER TOLEDO product's future:

METTLER TOLEDO Service assures the quality, measuring accuracy and preservation of value of all METTLER TOLEDO products for years to come.

Please send for full details about our attractive terms of service.

Thank you.

Für eine gute Zukunft Ihres METTLER TOLEDO-Produktes:

METTLER TOLEDO Service sichert Ihnen auf Jahre Qualität, Messgenauigkeit und Werterhaltung der METTLER TOLEDO-Produkte.

Verlangen Sie bitte genaue Unterlagen über unser attraktives Service-Angebot.

Vielen Dank.

Pour assurer l'avenir de vos produits METTLER TOLEDO:

Le service après-vente METTLER TOLEDO vous garantit pendant des années leur qualité, leur précision de mesure et le maintien de leur valeur.

Demandez-nous notre documentation sur les excellentes prestations proposées par le service après-vente METTLER TOLEDO.

Merci.

Para un mejor futuro de sus productos METTLER TOLEDO:

El servicio postventa de METTLER TOLEDO garantiza durante años su calidad, su precisión metrológica y la conservación de su valor.

Pida nuestra documentación sobre las excelentes prestaciones que le ofrece el servicio postventa de METTLER TOLEDO.

Gracias.



P701031

Technische Änderungen und Änderungen im Lieferumfang des Zubehörs vorbehalten.
Gedruckt auf 100% chlorfrei hergestelltem Papier. Unserer Umwelt zuliebe.
Subject to technical changes and to the availability of the accessories supplied with the instruments.
Printed on recycled paper. Because we care
Sous réserve des modifications techniques et de disponibilité des accessoires.
Imprimé sur papier 100 % exempt de chlore, par souci d'écologie.
Reservadas las modificaciones técnicas y la disponibilidad de los accesorios.
Impreso sobre papel fabricado sin cloro al 100 %, por nuestro medio ambiente

© Mettler-Toledo GmbH 2001 701031 Printed in Switzerland 0111/2.33

Mettler-Toledo GmbH, Laboratory & Weighing Technologies, CH-8606 Greifensee, Switzerland

Phone +41-1-944 22 11, Fax +41-1-944 30 60, Internet: <http://www.mt.com>