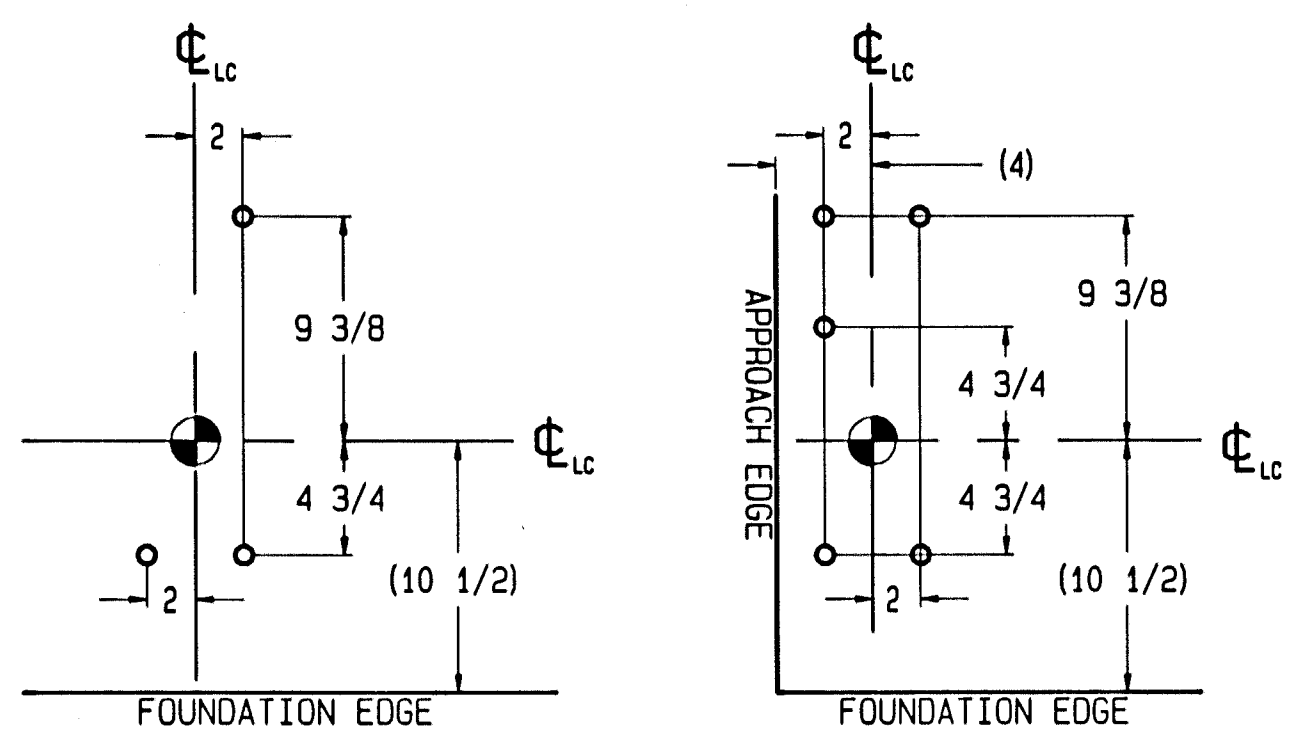
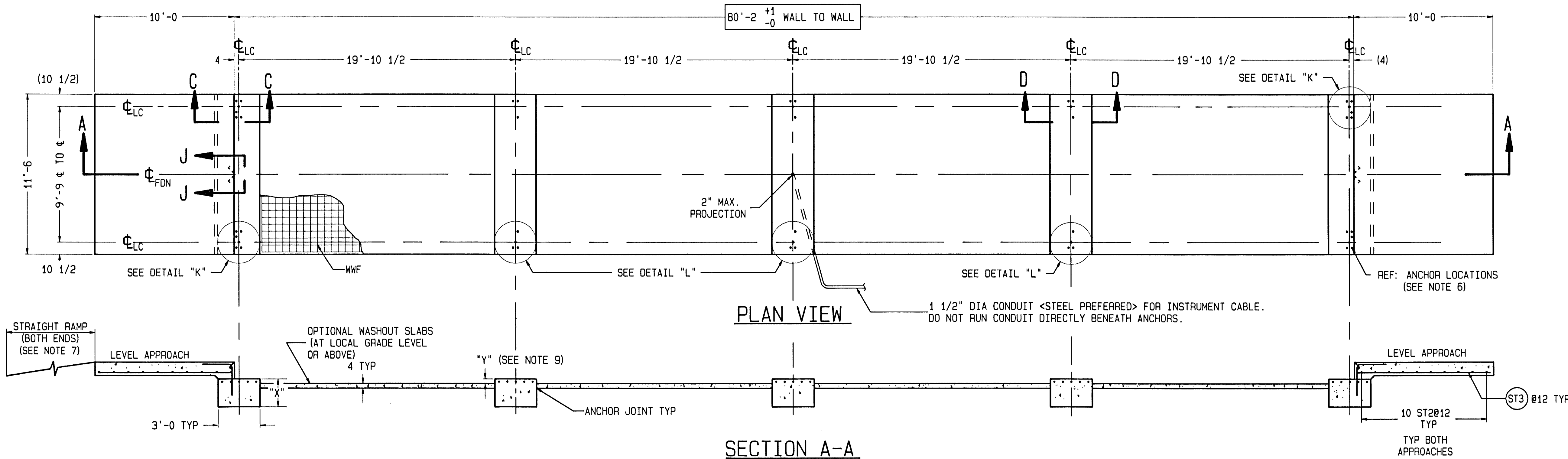
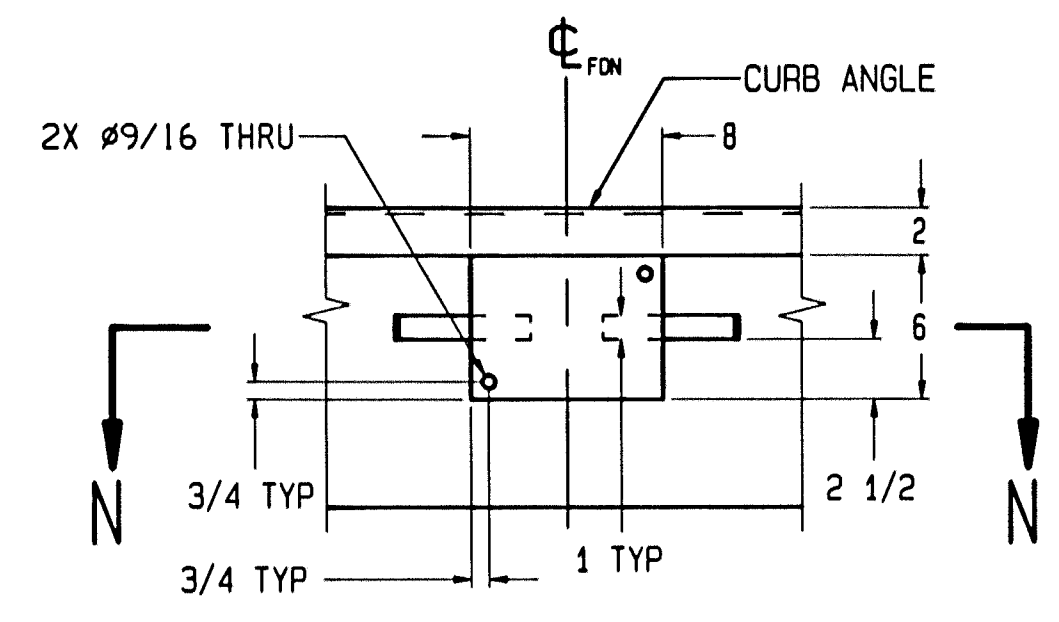


REINFORCING STEEL SCHEDULE (A.S.T.M. A-615 GRADE 60)						
COLD FORM BARS TO INSIDE DIMENSIONS			A B			
SYM	QTY	SIZE	LOCATION, DIRECTION	A	B	WGT
ST1	25	#6	FOOTERS, LATERAL	11'-0"		413
ST2	4	#5	ENDS, LATERAL	11'-0"		46
	20		APPROACHES, LATERAL			229
ST3	22	#5	APPROACHES, LONG.	9'-6"		218
L1	22	#5	APPROACH TO END TIES	2'-3"	2'-3"	103

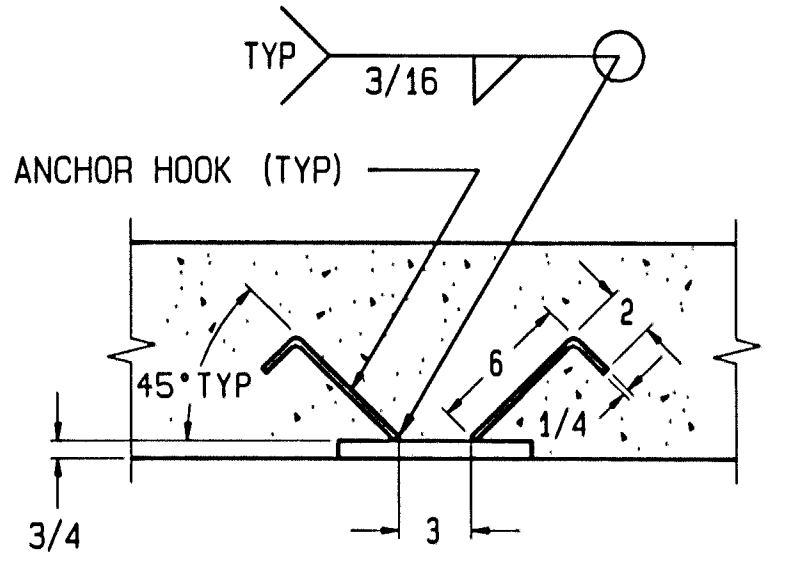


DETAIL "L"
ANCHOR LOCATIONS
(OTHER SIDE IS OPPOSITE)

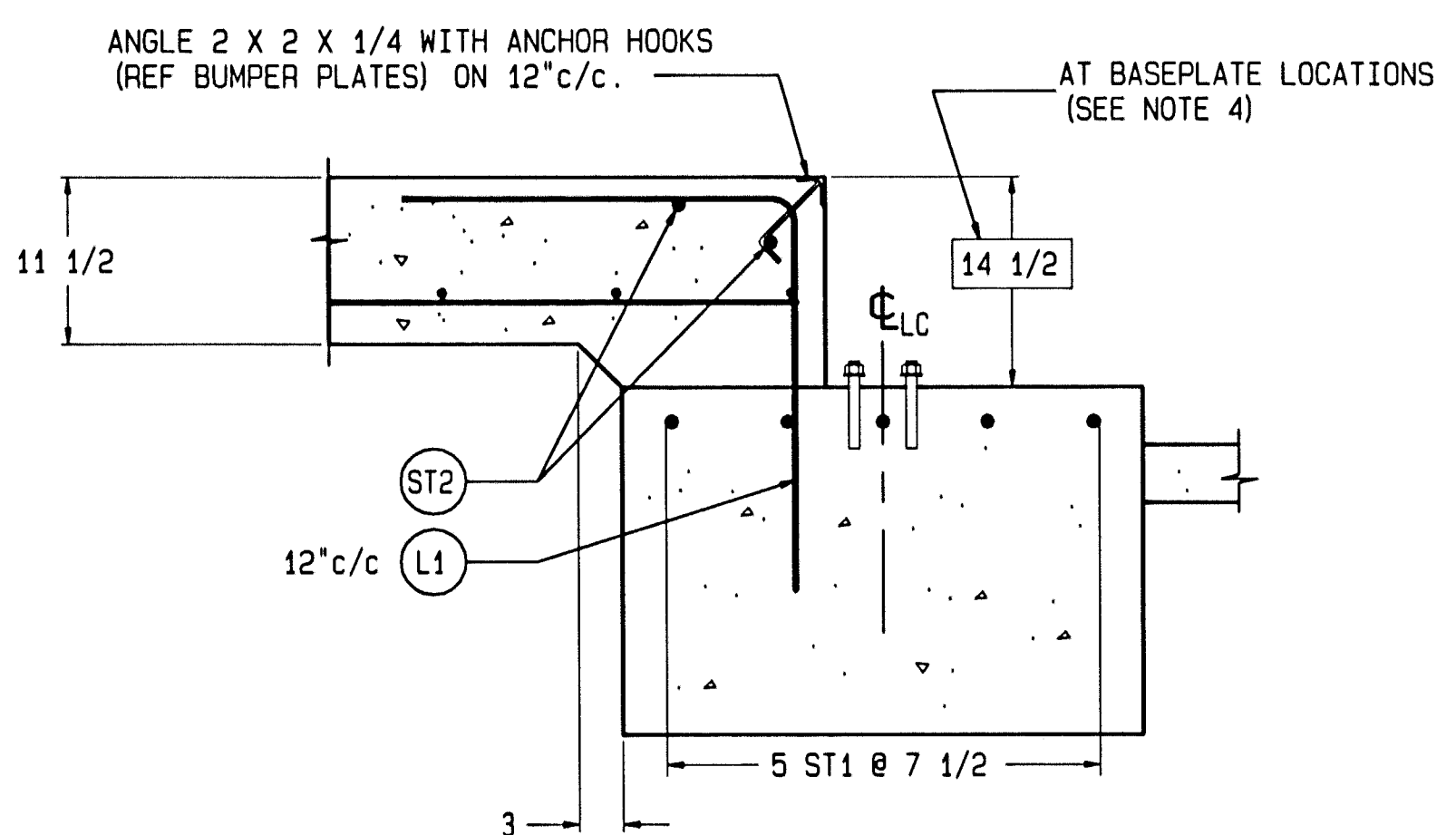
DETAIL "K"
ANCHOR LOCATIONS
(OTHER SIDE IS OPPOSITE)



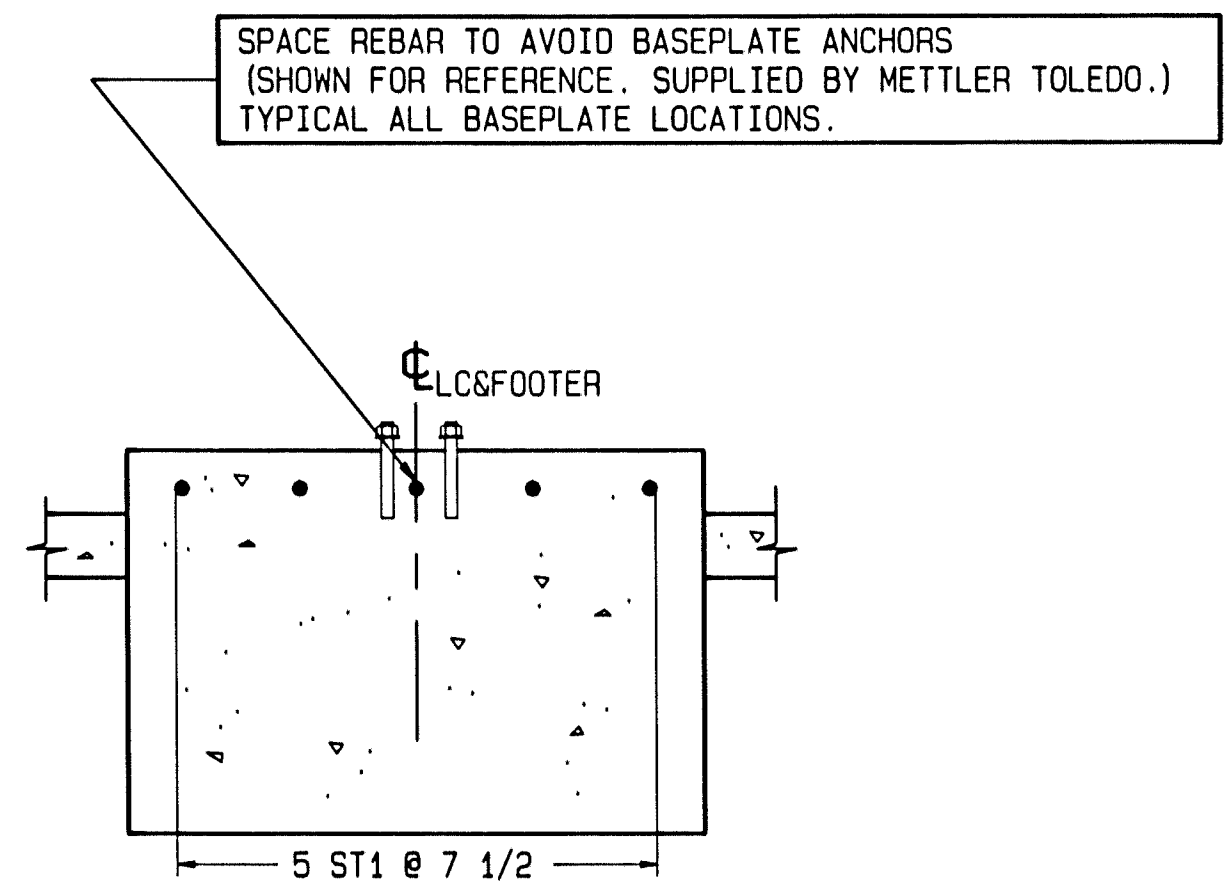
VIEW J-J
BUMPER PLATE ASSY'S (ONE EACH END)
MATERIAL: H.R. STEEL (BY OTHERS).



SECTION N-N



SECTION C-C
(TYPICAL END)



SECTION D-D
(TYP SINGLE BASEPLATE FOOTER)

MATERIAL SUMMARY * (INCLUDES FOOTERS & APPROACHES)	FOOTER DEPTH: "X" INCHES (24 INCH MINIMUM)				
	24	36	48	60	72
CONCRETE (CU. YDS.)	21	28	34	41	47
REINFORCING STEEL (LBS)	1009				

* IF OPTIONAL WASHOUT SLABS ARE USED, ADD:
777 SQ. FT. OF WWF: 6x6_W1.4xW1.4
10 CU. YD. OF CONCRETE.

NOTES:

- 1) USE MINIMUM 3500 PSI STRENGTH CONCRETE AT 28 DAYS WITH 5-7% AIR ENTRAINMENT.
- 2) USE MINIMUM 60KSI YIELD DEFORMED REINFORCING STEEL. REBAR MINIMUM DEPTH OF COVER SHOULD BE IN ACCORDANCE WITH LATEST ACI BUILDING CODE REQUIREMENTS FOR STRUCTURAL CONCRETE (ACI 318-SECTION 7.7). UNLESS OTHERWISE SPECIFIED.
- 3) FOUNDATION REQUIRES 2500 PSF RATED SOIL.
- 4) TOP OF CONCRETE AT BASEPLATE LOCATIONS TO BE LEVEL AND IN ONE PLANE ±1/8".
- 5) DIAGONAL MEASUREMENTS ENDWALL TO ENDWALL MUST BE EQUAL WITHIN 1/2".
- 6) BASEPLATE ANCHORS TO BE SUPPLIED BY METTLER TOLEDO. USE BASEPLATES AS TEMPLATES TO LOCATE ANCHORS DURING SCALE INSTALLATION.
- 7) RAMP LENGTH: -PER LOCAL REGULATIONS
-1/2" SLOPE PER FOOT TYPICAL
- 8) BOTTOM OF FOOTER MUST BE BELOW LOCAL FROSTLINE.
- 9) FOOTER HEIGHT "Y" CAN BE VARIED TO SUIT LOCAL CLEARANCE REQUIREMENTS. TOP OF FOOTER AT GRADE LEVEL. I.E. FLUSH WITH WASHOUT SLABS. PROVIDES STANDARD 3" CLEARANCE BETWEEN BOTTOM OF WEIGHBRIDGE AND WASHOUT SLABS.
- 10) OPTIONAL: 6" OF GRAVEL MAY BE USED UNDER APPROACHES TO IMPROVE DRAINAGE.
- 11) CONTRACTOR SUPPLIES:
-EXCAVATION
-REINFORCING STEEL
-CURB ANGLE ASSEMBLIES (SECT C-C)
-CONCRETE AND FORMS
-1 1/2" DIA CONDUIT
-BUMPER PLATE ASSEMBLIES (VIEWS J-J & N-N)

REV	CHANGE	BY	DATE	SCALE .02	DATE 11/21/97	DRN ELB APPD
A	ADDED 7561 REFERENCE TO DRAWING TITLE	HBM	06/13/00			
	ADDED REBAR NOTE, ST3 & L1 QTY WERE 24					

TITLE 7561/7562A FOUNDATION: VARIABLE FOOTER
80' X 11', WITH 20' MODULES

UNLESS OTHERWISE SPECIFIED, ALL DIMENSIONS ARE IN INCHES, AND DIMENSIONAL TOLERANCES ARE:
FRACTIONAL .XX ±.02
DECIMAL .XXX ±.005
ANGULAR ±.5°

METTLER TOLEDO

TC203510 REV A