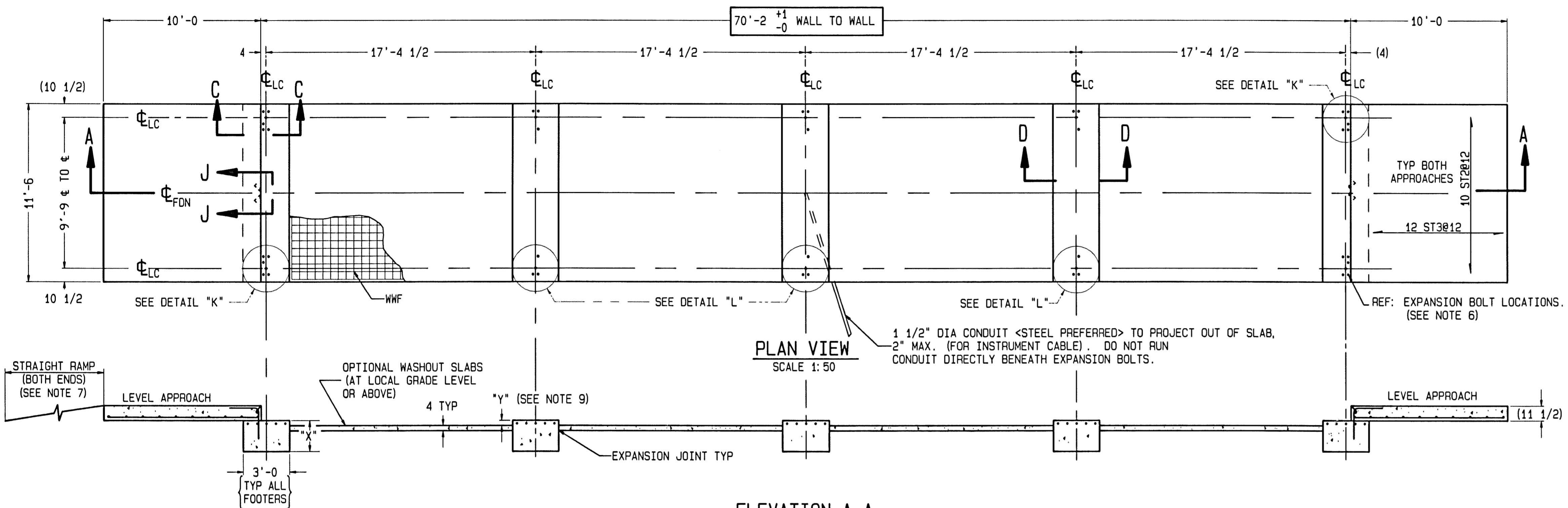
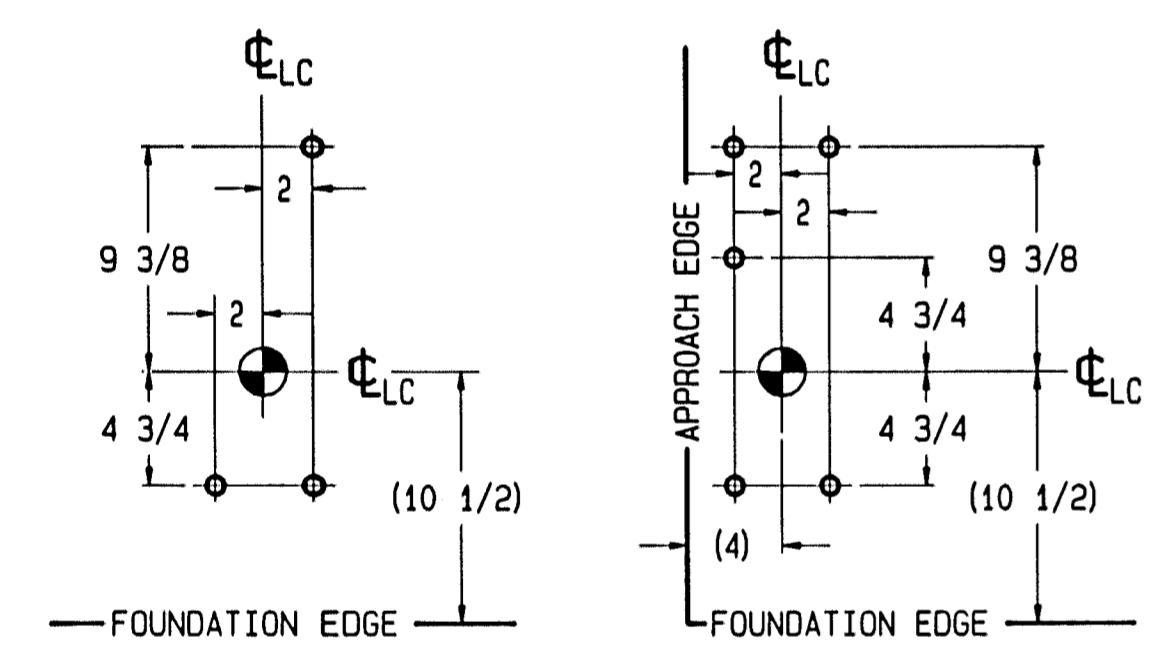


REINFORCING STEEL SCHEDULE (A.S.T.M. A-615 GRADE 60)						
COLD FORM BARS TO INSIDE DIMENSIONS						
SYM	QTY	SIZE	LOCATION, DIRECTION	A	B	WGT
ST1	25	#6	FOOTERS, LATERAL	11'-0"		413
ST2	4	#5	ENDS, LATERAL	11'-0"		46
	20		APPROACHES, LATERAL			230
ST3	24	#5	APPROACHES, LONG.	9'-6"		238
L1	24	#5	APPROACH TO END TIES	2'-0"	2'-0"	101

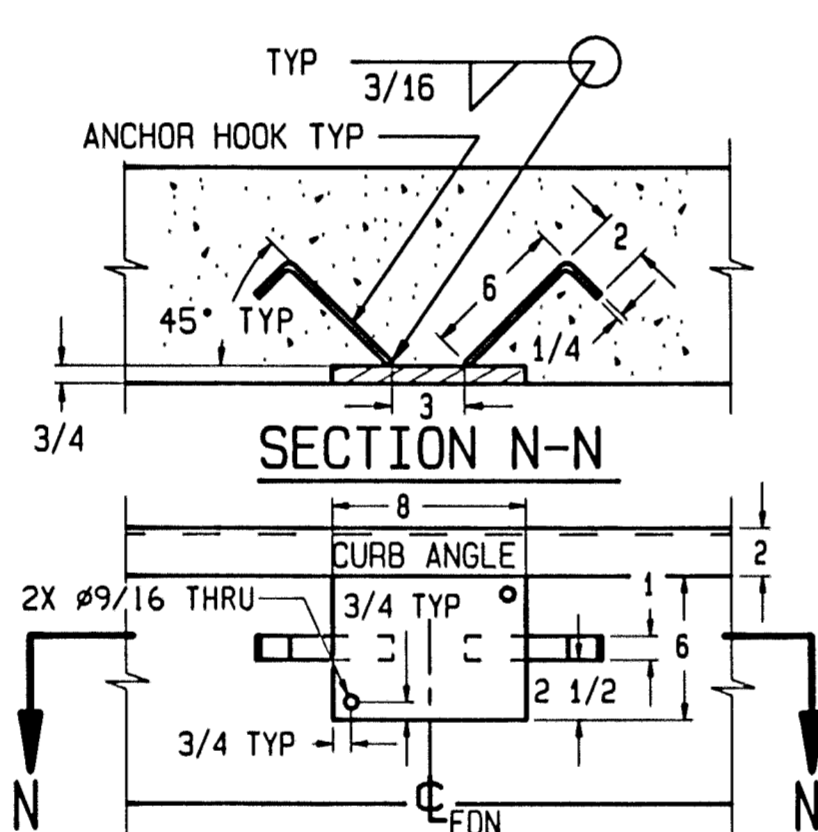


**ELEVATION A-A**  
SCALE 1:50



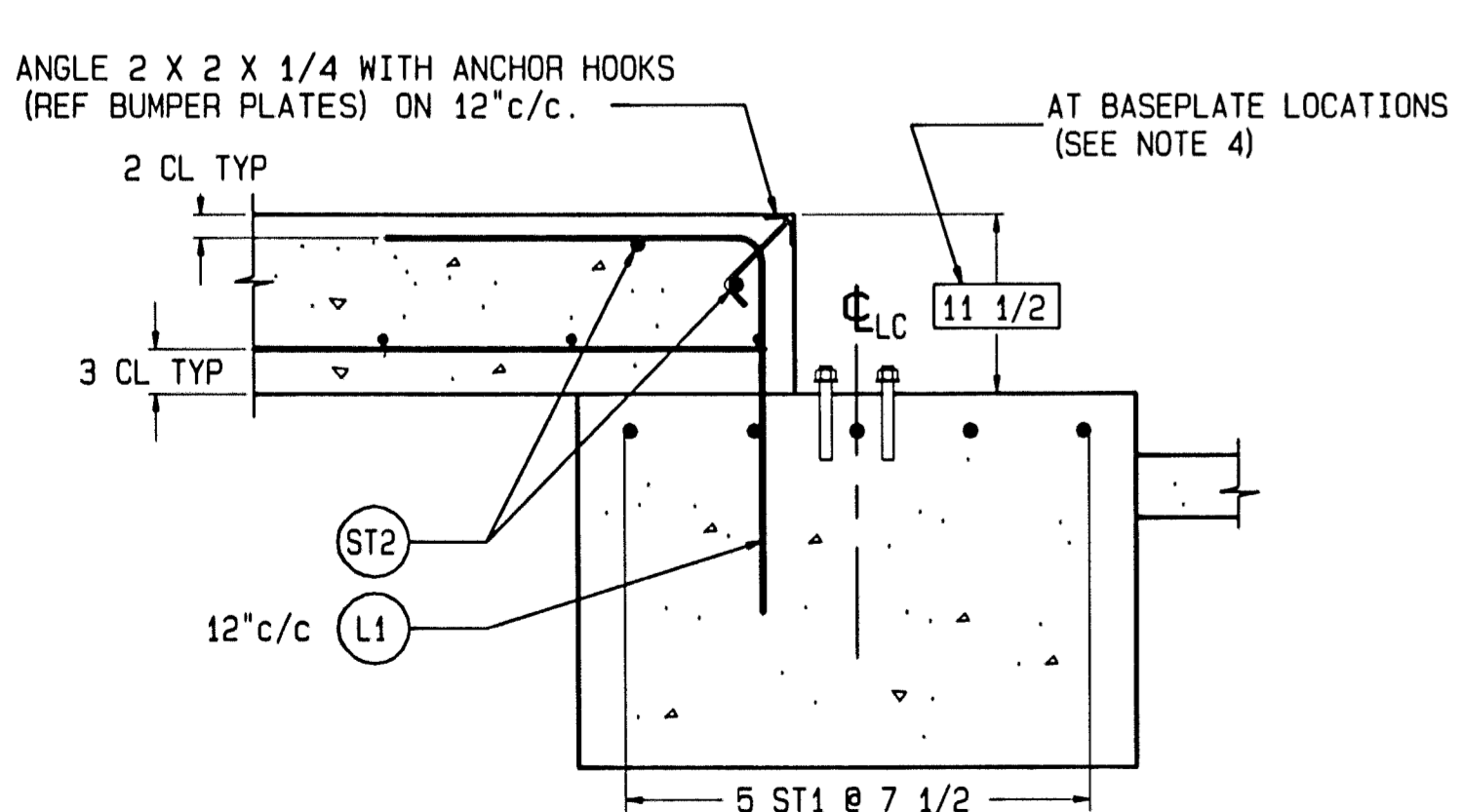
**DETAIL "L"**  
SCALE: 1:8  
EXPANSION BOLT LOCATIONS (OTHER SIDE IS OPPOSITE)

**DETAIL "K"**  
SCALE: 1:8  
EXPANSION BOLT LOCATIONS (OTHER SIDE IS OPPOSITE)

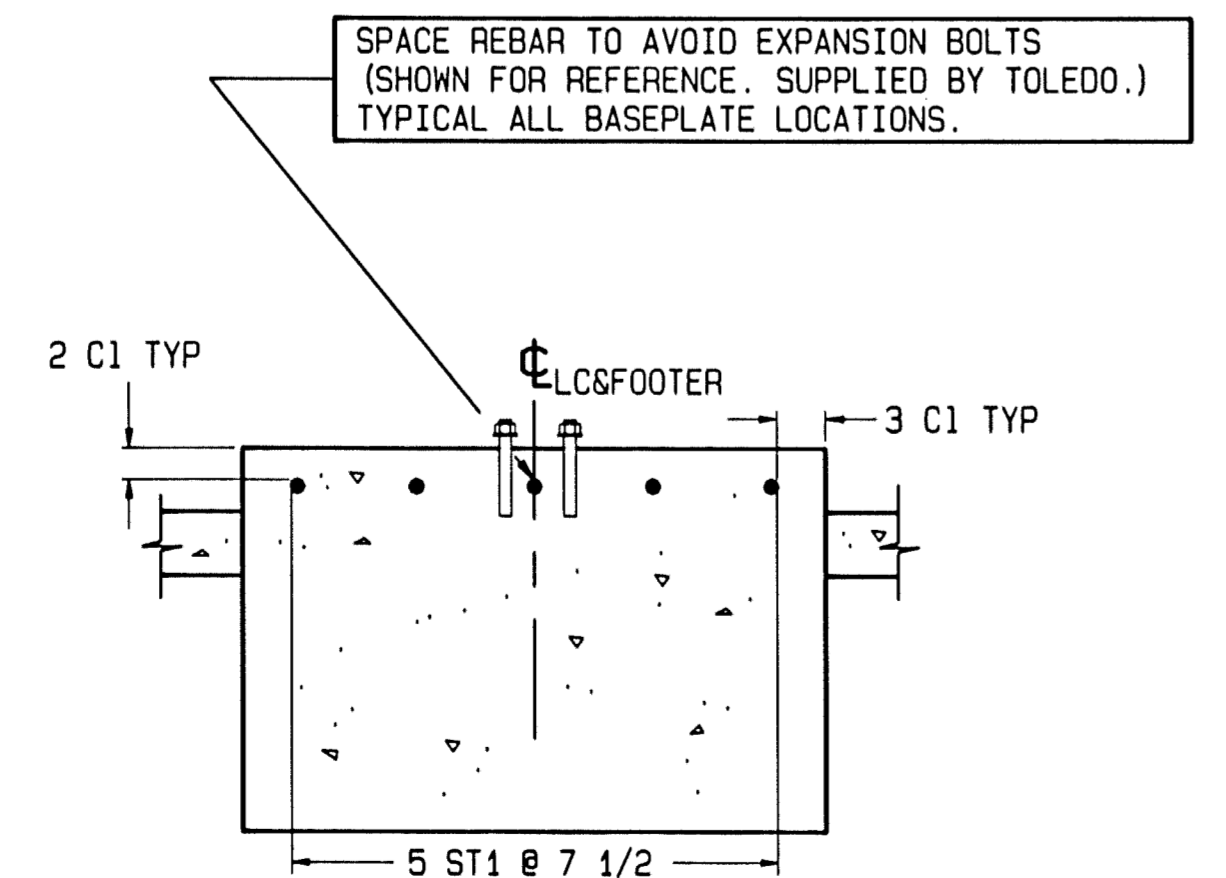


**SECTION N-N**  
SCALE: 1:8

**VIEW J-J**  
SCALE: 1:8  
BUMPER PLATE ASSY'S: ONE EACH END, MATERIAL: H.R. STEEL, (BY OTHERS).



**SECTION C-C**  
SCALE 1:12  
(TYPICAL END)



**SECTION D-D**  
SCALE 1:12  
(TYP SINGLE BASEPLATE FOOTER)

MATERIAL SUMMARY * (INCLUDES FOOTERS & APPROACHES)	FOOTER DEPTH: "X" INCHES (24 INCH MINIMUM)				
	24	36	48	60	72
CONCRETE (CU. YDS.)	21	28	34	41	47
REINFORCING STEEL (LBS)	1028				

\* QUANTITIES GIVEN ARE FOR FOUNDATION ONLY. IF CONCRETE PLATFORMS ARE USED, REFER TO GENERAL LAYOUT DRAWING FOR DECK CONCRETE AND REINFORCING STEEL QUANTITIES & SPECS. IF OPTIONAL WASHOUT SLABS ARE USED, ADD: 625 SQ. FT. OF WWF: 6x6\_W1.4xW1.4 8 CU. YD. OF CONCRETE.

**NOTES:**

- USE MINIMUM 3000 PSI STRENGTH CONCRETE AT 28 DAYS WITH 5-7% AIR ENTRAINMENT.
- USE MINIMUM 60KSI YIELD DEFORMED REINFORCING STEEL.
- FOUNDATION REQUIRES 2500 PSF RATED SOIL.
- TOP OF CONCRETE AT BASEPLATE LOCATIONS TO BE LEVEL AND IN ONE PLANE ±1/8"
- DIAGONAL MEASUREMENTS ENDWALL TO ENDWALL MUST BE EQUAL WITHIN 1/2"
- BASEPLATE ANCHORS TO BE 3/4" DIA. EXPANSION BOLTS X 6" LG. SUPPLIED BY TOLEDO. USE BASEPLATES AS TEMPLATES TO LOCATE EXPANSION BOLTS DURING SCALE INSTALLATION.
- RAMP LENGTH: -PER LOCAL REGULATIONS -1/2" SLOPE PER FOOT TYPICAL
- BOTTOM OF FOOTER MUST BE BELOW LOCAL FROSTLINE. IF LOCAL FROSTLINE IS UNKNOWN, REFER TO DRAWING TA201033 (U.S. WEATHER BUREAU FROST PENETRATION AVERAGES).
- FOOTER HEIGHT "Y" CAN BE VARIED TO SUIT LOCAL CLEARANCE REQUIREMENTS. TOP OF FOOTER AT GRADE LEVEL, I.E. FLUSH WITH WASHOUT SLABS. PROVIDES STANDARD 3" CLEARANCE BETWEEN BOTTOM OF WEIGHBRIDGE AND WASHOUT SLABS.
- OPTIONAL: 6" OF GRAVEL MAY BE USED UNDER APPROACHES TO IMPROVE DRAINAGE.
- CONTRACTOR SUPPLIES:
  - EXCAVATION
  - REINFORCING STEEL
  - CURB ANGLE ASSEMBLIES (SECT C-C)
  - CONCRETE AND FORMS
  - 1 1/2" DIA CONDUIT
  - BUMPER PLATE ASSEMBLIES (VIEWS J-J & N-N)

MARK	REVISION	BY	DATE			
A	REVISED REBAR SCHEDULE	ALS	7-16-91	SCALE: NOTED	TOLERANCE UNLESS OTHERWISE NOTED	DRAWN BY: RMR
B	ADDED REBAR CL AND SP NOTES IN SECT C-C	TDA	2-19-92	DATE: 2/21/91	FRACT 1/32 DECIMAL .XX ±.020 .XXX ±.005	APPROVED BY:
				TITLE: 7560A/B FOUNDATION: VARIABLE FOOTER 70x11'		
				DRAWING NUMBER: TC201565 B		