

# InDip™ 550 immersion housings for pH/redox, conductivity, dissolved oxygen and turbidity measurement

## Technical Data

---



InDip 550

### Short description

The new immersion housings of METTLER TOLEDO serve as an enclosure for our electrodes and sensors, and are specially designed and developed to suit applications in wastewater treatment. A solution ground permits grounding or the use of the Sensocheck® in the transmitter. The housings are available in PVC or PVDF.

- easy installation
- adapter for Pg13.5, 1" NPT, 1" NPT Cond, and 3/4" NPT
- with solution grounding
- InDip 550 IND for inductive conductivity sensors

### Contents

Specifications	2
Ordering information	2
Accessories / Flanges, Electrode holders	2
Ordering information	3
Drawings	3

**METTLER TOLEDO**

The logo graphic consists of a series of parallel lines that form a stylized 'M' shape, positioned behind the text 'METTLER TOLEDO'.

## Specifications

Type	InDip™ 550	
Immersion length (H)	1000, 1500, 2000, 2500, 3000mm, others on request	
Pressure range	ambient	
Temperature range	0...60 °C (PVC) 0...100 °C (PVDF)	
Material	PVC, SS, DIN 1.4435 (solution grounding), O-rings Viton® PVDF, HA-C22 (solution grounding), O-rings Viton®	
Sensor interface	Ø 12 mm, a= 120mm, Pg13.5 1" NPT (e.g. InPro® 4500) 1" NPT Cond (e.g. InPro 7108-VP/CPVC) IND (e.g. InPro 7200 Series) ¾" NPT (e.g. InPro® 7000-VP)	
Protective cage	Standard:	with solution grounding, no protective cage
	Type GP:	with protective cage, with solution grounding
	Type P:	with protective cage, no solution grounding

## Ordering information

Accessories / Flanges*	Order No.
PVC DIN PN10-DN40	52 400 309
PVC DIN PN10-DN50	52 401 893
PVC DIN PN10-DN80	52 401 228
PVC DIN PN10-DN100	52 400 954
PVDF DIN PN10-DN40	52 400 774
PVDF DIN PN10-DN50	52 401 110
PVDF DIN PN10-DN100	52 400 858
Tube clamp 50 mm (PE)	52 400 775

\*have to be ordered separately

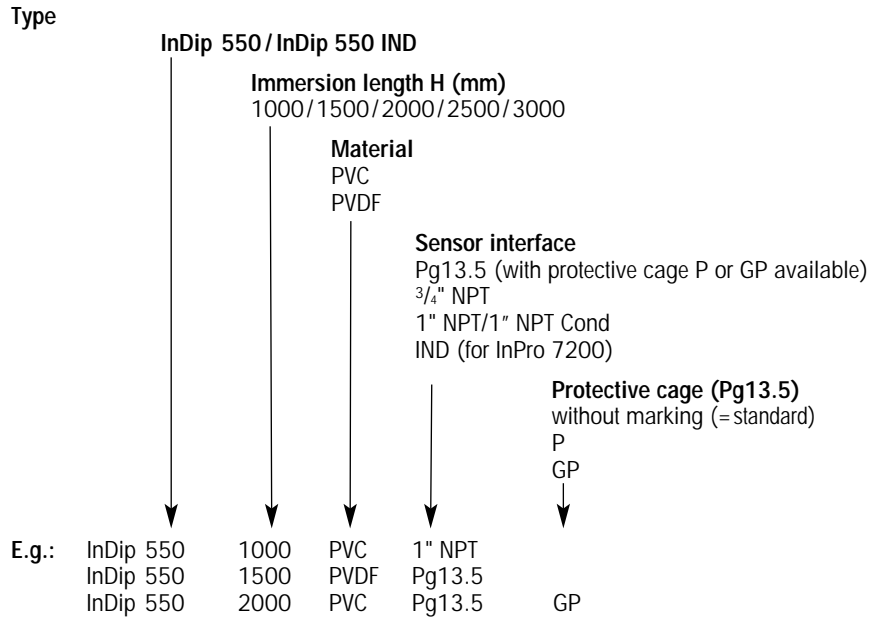
Electrode holders	Order No.
O-ring set for electrode holder Viton®	52 400 319
PVC electrode holder Pg 13.5	52 400 622
PVDF electrode holder Pg 13.5	52 400 623
PVC electrode holder Pg 13.5 P	52 401 334
PVDF electrode holder Pg 13.5 P	52 401 335
PVC electrode holder Pg 13.5 GP	52 401 332
PVDF electrode holder Pg 13.5 GP	52 401 333
PVC electrode holder ¾" NPT	52 400 624
PVDF electrode holder ¾" NPT	52 400 625
PVC electrode holder 1" NPT	52 400 626
PVDF electrode holder 1" NPT	52 400 627
PVC electrode holder 1" NPT Cond	52 402 872
kit InDip 550 Ind PVC (sensor holder)	52 401 956
kit InDip 550 Ind PVDF (sensor holder)	52 401 957

Assembly and shipment costs of complete housings are high in relation to the price. To be more competitive, we offer a modular system. Locally supplied immersion tubes are equipped by the customer with top and bottom parts bought from MMETTLER TOLEDO. The InDip-Set550 contains the main top and bottom parts. Additionally you require an electrode or sensor holder. A mounting instruction for the local sourced tube is included in the package.

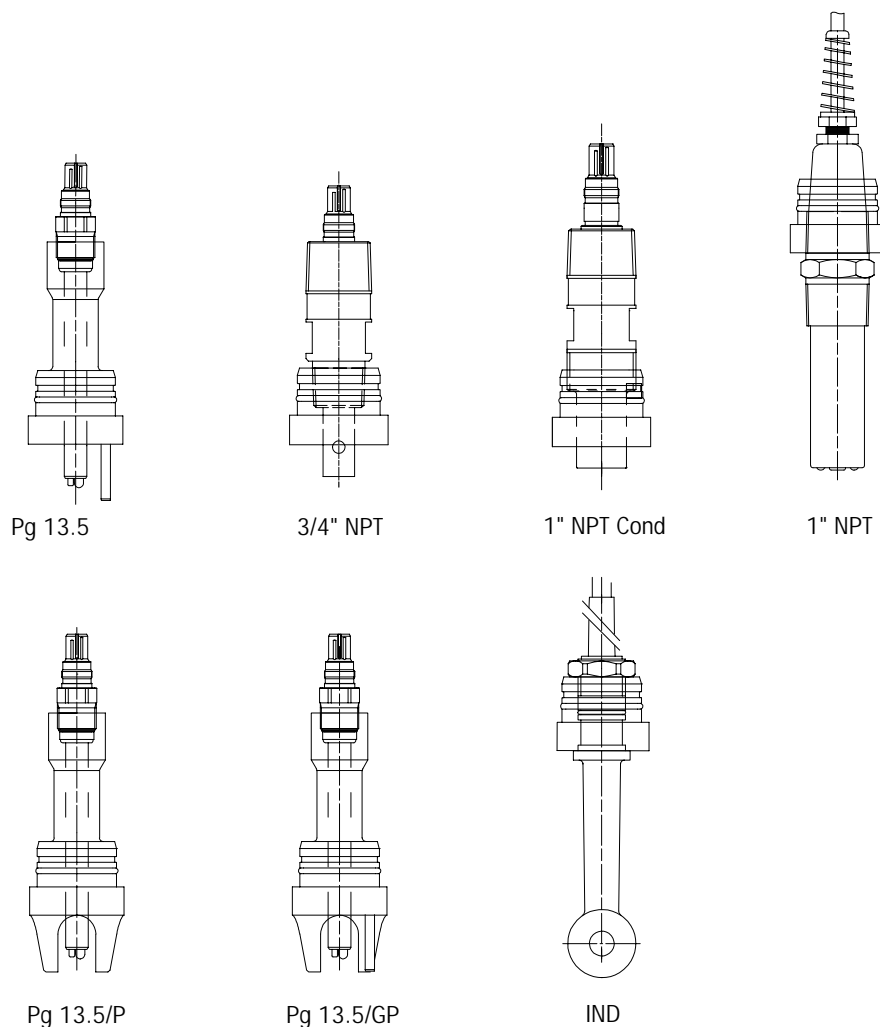
InDip-Set 550 PVC	52 400 659
InDip-Set 550 PVDF	52 400 660

Ordering information

When ordering, the following data should be given:



Drawings



### Sales and Service:

#### Australia

Mettler-Toledo Ltd.  
220 Turner Street  
Port Melbourne  
AUS-3207 Victoria  
Phone +61 39 644 57 00  
Fax +61 39 645 39 35  
e-mail mtausprocess@mt.com

#### Austria

Mettler-Toledo GmbH  
Favoritner Gewerbering 17  
A-1100 Wien  
Phone +43 1 604 19 80  
Fax +43 1 604 28 80  
e-mail infoprocess.mtat@mt.com

#### Brazil

Mettler-Toledo Ind. e Com. Ltda.  
Alameda Araguaia  
451 - Alphaville  
BR-06455-000 Barueri/SP  
Phone +55 11 4166 74 00  
Fax +55 11 4166 74 01  
e-mail sales@mettler.com.br  
service@mettler.com.br

#### China

Mettler-Toledo Instruments  
(Shanghai) Co. Ltd.  
589 Gui Ping Road  
Cao He Jing  
CN-200233 Shanghai  
Phone +86 21 64 85 04 35  
Fax +86 21 64 85 33 51

#### Croatia

Mettler-Toledo d.o.o.  
Mandlova 3  
HR-10000 Zagreb  
Phone +385 1 292 06 33  
Fax +385 1 295 81 40  
e-mail mt-zag@zg.tel.hr

#### Czech Republic

Mettler-Toledo spol s.r.o.  
Trebohosticka 2283/2  
CZ-100 00 Praha 10  
Phone +420 2 72 123 151  
Fax +420 2 72 123 170  
e-mail sales.mtcz@mt.com

#### Denmark

Mettler-Toledo A/S  
Naverland 8  
DK-2600 Glostrup  
Phone +45 43 27 08 00  
Fax +45 43 27 08 28  
e-mail mtdk@post10.tele.dk  
lsl@mts.mt.com

#### France

Mettler-Toledo  
Analyse Industrielle Sàrl.  
30, Boulevard Douaumont  
BP 949  
F-75017 Paris Cedex 17  
Phone +33 1 47 37 06 00  
Fax +33 1 47 37 46 26  
e-mail mtpro-f@mt.com  
mtai@mtprof-mt.com

#### Germany

Mettler-Toledo GmbH  
Prozeßanalytik  
Ockerweg 3  
D-35396 Gießen  
Phone +49 641 507 333  
Fax +49 641 507 397  
e-mail prozess@mt.com  
information.mtprod@mt.com

#### Great Britain

Mettler-Toledo LTD  
64 Boston Road, Beaumont Leys  
GB-LE4 1AW Leicester  
Phone +44 116 235 7070  
Fax +44 116 236 5500  
e-mail enquire.mtuk@mt.com

#### Hungary

Mettler-Toledo Kereskedelmi KFT  
Teve u. 41  
HU-1139 Budapest  
Phone +36 1 288 40 40  
Fax +36 1 288 40 50

#### Italy

Mettler-Toledo S.p.A.  
Via Vialba 42  
I-20026 Novate Milanese  
Phone +39 02 333 321  
Fax +39 02 356 2973  
e-mail  
mettler.toledo@interbusiness.it

#### Japan

Mettler-Toledo K.K.  
Process Division  
5F Tokyo Ryutsu Center, Annex B  
6-1-1 Heiwajima, Ohta-ku  
JP-143-0006 Tokyo  
Phone +81 3 5762 07 06  
Fax +81 3 5762 09 71  
e-mail yasuo.watanabe@mt.com

#### Mexico

Mettler-Toledo S.A. de C.V.  
Pino No. 350, Col. Sta.  
MA. Insurgentes, Col Atlampa  
MX-06450 México D.F.  
Phone +52 5 541 33 00  
Fax +52 5 541 04 02  
e-mail mario.roca@mt.com

#### Poland

Mettler-Toledo (Poland) Sp.z.o.o.  
ul. Iwonicka 39  
PL-02-924 Warszawa  
Phone +48 22 651 92 32  
Fax +48 22 651 71 72  
e-mail polska@mt.com

#### Russia

Mettler-Toledo ZAO  
Sretenskij Bulvar 6/1  
Office 6  
RU-101000 Moscow  
Phone +7 095 921 92 11  
Fax +7 095 921 63 53  
+7 095 921 78 68  
e-mail inforus@mt.com

#### Singapore

Mettler-Toledo (S) Pte. Ltd.  
Block 28  
Ayer Rajah Crescent #05-01  
SG-139959 Singapore  
Phone +65 6890 00 11  
Fax +65 6890 00 12  
+65 6890 00 13  
e-mail ashley.kong@mt.com

#### Slovakia

Mettler-Toledo s.r.o.  
Bulharska 61  
SK-82104 Bratislava  
Phone +421 743 42 74 96  
Fax +421 743 33 71 90  
e-mail predaj@mt.com

#### Slovenia

Mettler-Toledo d.o.o.  
IOC Trzin, Peske 12  
SI-1236 Trzin  
Phone +386 61 162 18 01  
Fax +386 61 162 17 89  
e-mail cipot@mtslo.mt.com  
racman@mettler-toledo.si

#### Sweden

Mettler-Toledo AB  
Virkesvägen 10  
Box 92161  
SE-12008 Stockholm  
Phone +46 8 702 50 00  
Fax +46 8 642 45 62  
e-mail sales.mts@mt.com

#### Switzerland

Mettler-Toledo (Schweiz) AG  
Im Langacher  
Postfach  
CH-8606 Greifensee  
Phone +41 1 944 45 45  
Fax +41 1 944 45 10  
e-mail info.ch@mt.com  
info.ola.ch@mt.com

#### Thailand

Mettler-Toledo Thailand  
1. Floor, 272 Block A3  
Raintree Office Garden  
Rama 9 Rd. Kuay Kwang  
TH-10310 Bangkok  
Phone +66 2 723 03 00  
Fax +66 2 719 64 79  
e-mail mettler@samart.co.th

#### USA/Canada

Mettler-Toledo Ingold, Inc.  
36 Middlesex Turnpike  
Bedford, MA 01730, USA  
Phone +1 781 301 8800  
Toll free +1 800 352 8763  
Fax +1 781 271 0681  
e-mail mtprous@mt.com



Management System  
certified according to  
ISO 9001 / ISO 14001

Subject to technical changes.  
© Mettler-Toledo GmbH 04/03  
Printed in Switzerland 52 400 743

Mettler-Toledo GmbH, Process Analytics  
Industrie Nord, CH-8902 Urdorf  
Tel. +41 1 736 22 11, Fax +41 1 736 26 36

[www.mtpro.com](http://www.mtpro.com)