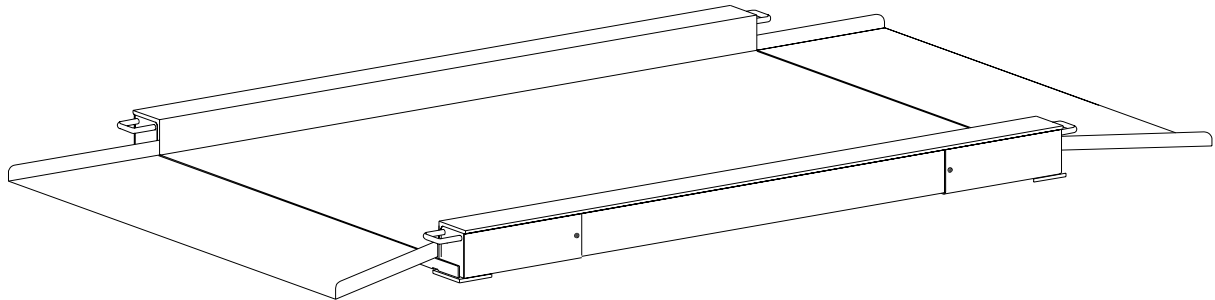


## Installation information

**METTLER TOLEDO MultiRange**  
**Low profile scales**  
**DU-line**

**METTLER TOLEDO**



---

<b>Contents</b>	<b>Page</b>
<b>1 General</b> .....	<b>2</b>
<b>2 Installation</b> .....	<b>2</b>
2.1 Preparatory work .....	2
2.2 Equipotential bonding .....	2
<b>3 Setting up</b> .....	<b>3</b>
3.1 Painted version .....	3
3.2 Stainless steel version .....	4
3.3 Connecting the terminal .....	5
<b>4 Scale configurations</b> .....	<b>5</b>
<b>5 Dimensions</b> .....	<b>6</b>
5.1 Painted version .....	6
5.2 Stainless steel version .....	6

# 1. General

- This installation information contains all necessary details regarding the setting up and putting into operation of the following weighing platforms: DUCS300.../600.../1500... - DUE300.../600.../1500... - DUF300.../600.../1500...
- Information regarding operation can be found in the operating instruction 00705990.
- Information regarding maintenance, rectification of malfunctions and repairs is contained in the service manual 00704391.

## 2. Installation

### 2.1 Preparatory work

#### Painted version

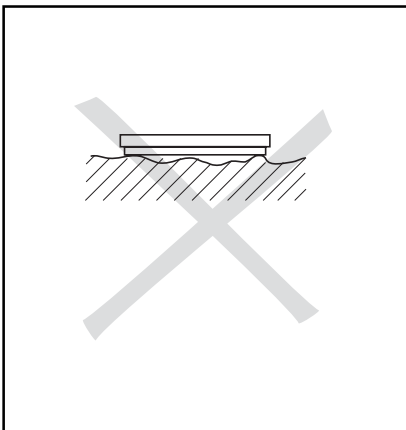
- Never operate in hazardous areas!

#### Stainless steel version

- The explosion-protected weighing platform is approved for operation in hazardous areas. (Technical data see operating instruction)

There is an increased danger of injuries and damage when using the weighing platform in hazardous areas!

Exercise particular care when using in such areas. The rules for behavior are based on the concept of " Safe Distribution" established by METTLER TOLEDO.



#### Selection of the location

- The foundation at the installation site must be capable of safely supporting the weight of the scale at the support points when it carries the maximum load. At the same time, it should be so stable that no vibrations occur during weighing operations. These requirements also apply if the weighing platform is integrated in conveying systems and the like.
- Ensure the vibrations due to machines near the installation site are kept to a minimum.

#### Ambient conditions for the painted version

- Use weighing platform only in a dry environment.

#### Ambient conditions for the stainless steel version

- Weighing platform can be used in a dry or wet environment.

### Unpacking the accessories

Please ensure that the accessories supplied with the weighing platform are completely taken.

- 1 operating instruction
- 1 label set
- 1 identification card
- 1 ramp with screw set
- 1 foot plate set

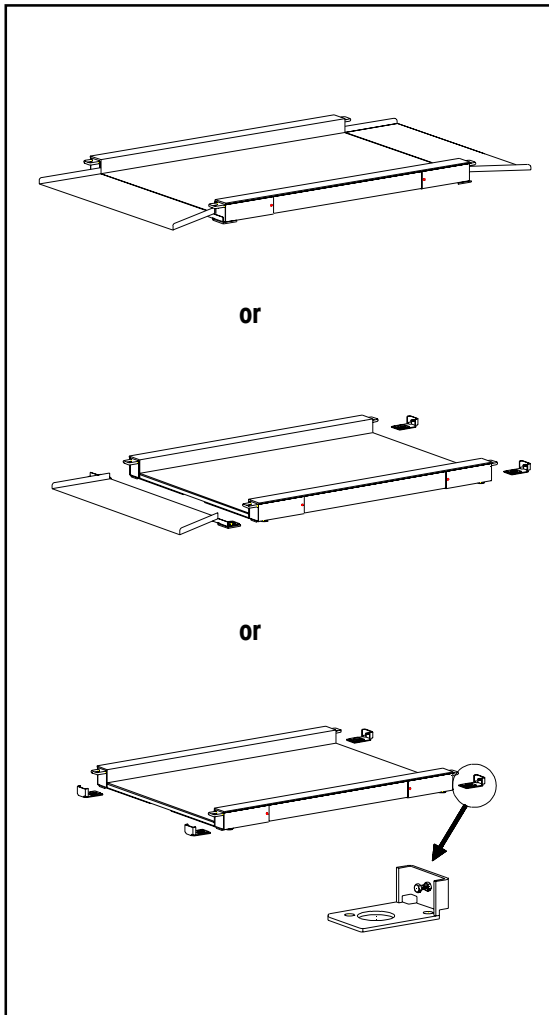
### 2.2. Equipotential bonding

The equipotential bonding must be installed by a professional electrician when using the weighing platform in zones 1/2 and 21/22. METTLER TOLEDO Service only has a monitoring consulting here.

=> Connect equipotential bonding (PA) of all devices (weighing platform and service terminal) in accordance with the country-specific regulations and standards. In the process, make sure that all device housings are connected to the same potential via the PA terminals.

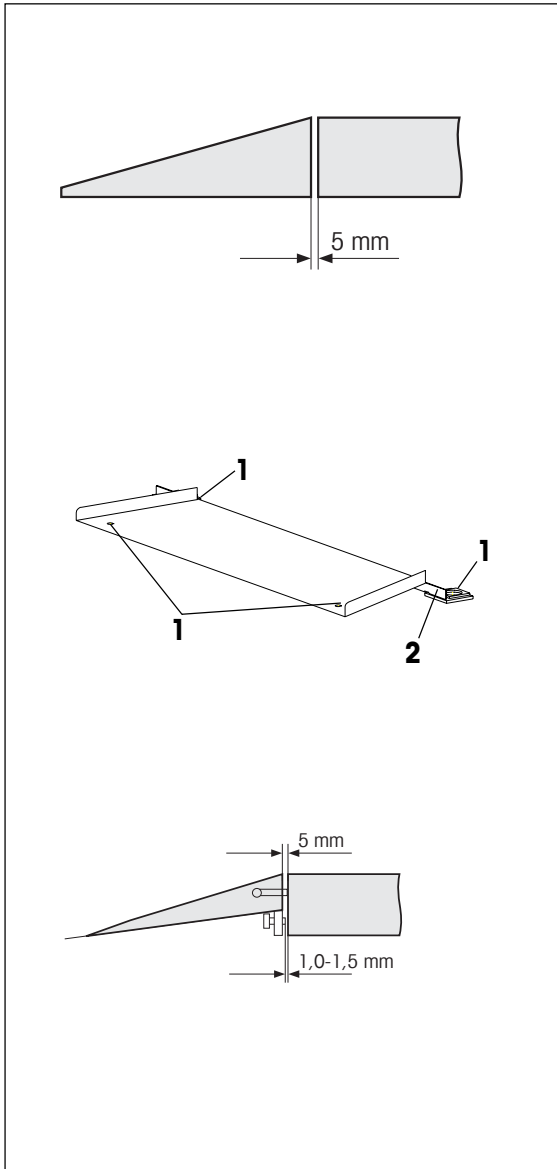
## 3. Setting up

### 3.1 Painted version



1. Depending on the model, the following accessories must be available when you set up the DU weighing platforms:
  - 2 approach ramps
 or
  - 1 approach ramp and 1 set of foot plates with horizontal stop
 or
  - 2 sets of foot plates with horizontal stop
2. Place approach ramps and/or foot plates on the floor in front of and behind the weighing platform.
3. Lift weighing platform by its handles and position the leveling feet in the slot provided in the ramps or foot plates.
4. Ensure the surface is completely flat in the area of the scale location, especially in the region of the scale feet, and the foot plates and ramps are positioned horizontally. Small differences in height can be compensated by adjustable feet.
5. Align ramps and foot plates.
6. Mark position of the ramps resp. foot plates. It is essential to fix them to the floor through drill holes using the dowels provided.  
(Foot plates: 2 dowels each, ramp: 2 dowels each)

### 3.2 Stainless steel version



1. Depending on the model, the following accessories must be available when you set up the DU weighing platforms: (see painted version)
  - 2 approach ramps
  - or
  - 1 approach ramp and 1 set of foot plates with horizontal stop
  - or
  - 2 sets of foot plates with horizontal stop
2. Place approach ramps and/or foot plates on the floor in front of and behind the weighing platform.
3. Lift weighing platform by its handles and position the leveling feet in the slot provided in the ramps or foot plates.
4. Ensure the surface is completely flat in the area of the scale location, especially in the region of the scale feet, and the foot plates and ramps are positioned horizontally. Small differences in height can be compensated by adjustable feet.
5. Align ramps and foot plates.
6. Mark position of the ramps or foot plates. It is essential to fix them to the floor through drill holes (1) using the dowels and countersunk screws provided. (Foot plates: 2 dowels each, ramp: 4 dowels each)
7. Adjust screws (2) to a play of 1-1,5 mm to restrict vibration at the ramps.

### 3.3 Connecting the terminal

- Route connection cable to the terminal.

#### Caution

Route connection cable to terminal so that it is protected against possible damage.

- Connect terminal.  
Please consult the description of the terminal for the steps involved in connecting the terminal.

## 4. Scale configurations

The scale is configured ex factory as follows:

- verifiable
- SingleRange, 3000 e resolution

The identcard (identification card) is prepared with the appropriate measurement data plate in the factory.

Type	Maximum load	Readability	
		SingleRange <b>SR</b> verifiable	configurable <b>MR</b> verifiable *
DU...300...	300 kg	0,1 kg	0,05 / 0,1 kg
DU...600...	600 kg	0,2 kg	0,1 / 0,2 kg
DU...1500...	1500 kg	1,5 kg	0,2 / 0,5 kg

#### \* IDNET version

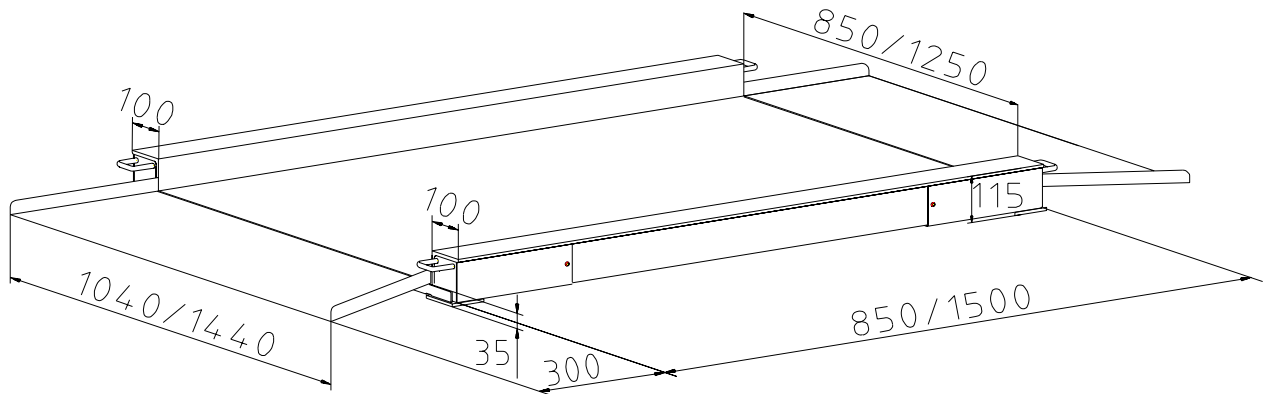
The scale types listed above are supplied with an A/D-converter Point as standard. Additional versions can thus be configured in the service mode (free mode) description service manual A/D-converter Point 22004256.

#### Note

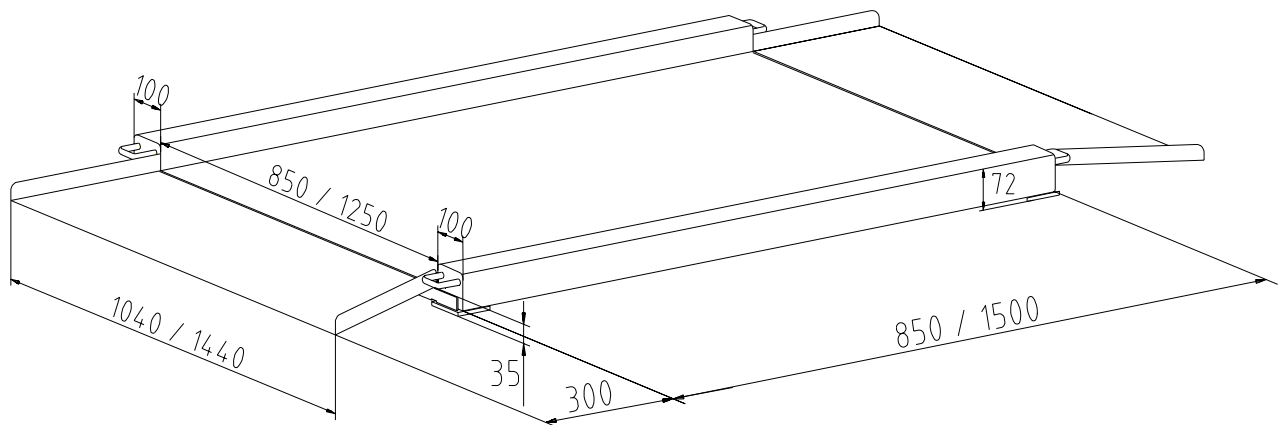
If the configuration is changed, the new measurement data plate must be affixed to the identcard.

## 5. Dimensions

### 5.1 Painted version



### 5.2 Stainless steel version





**00705998**

Subject of technical changes © Mettler-Toledo (Albstadt) GmbH 05/03 Printed in Germany 00705998D

**Mettler-Toledo (Albstadt) GmbH**

D-72458 Albstadt

Tel. ++49-7431-14 0, Fax ++49-7431-14 232

Internet: <http://www.mt.com>