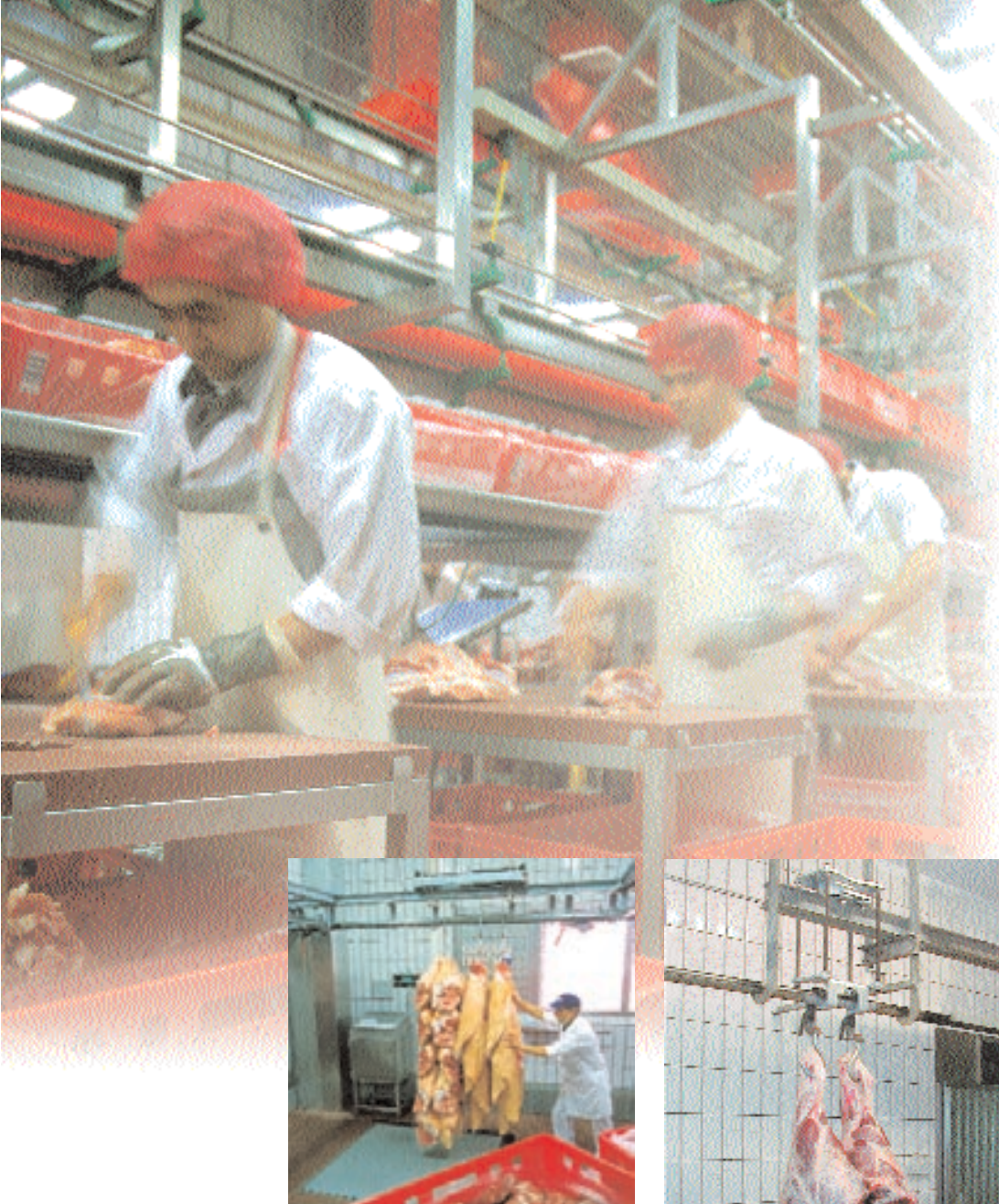


Rugged, reliable weighing solutions for the meat processing industry



Are you looking for an overhead rail scale for weighing animal carcasses? Or a space-saving wall scale? METTLER TOLEDO has the right weighing system for your particular field of application.

Overhead rail scales:

- Weighing capacity of 150 kg to 1200 kg
- Up to 3 x 3000 certifiable resolution (multi-interval)
- Easy integration in the majority of rail systems
- Weighing rail insert length of 200 mm to 1000 mm

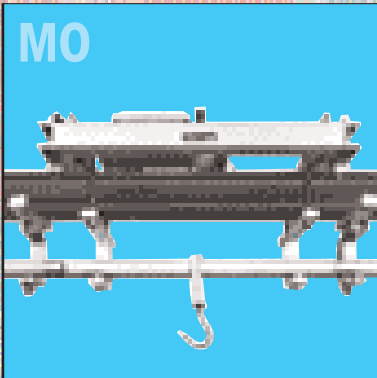
Wall scale:

- Weighing capacity of 150 kg
- 1 x 3000 certifiable resolution
- Space-saving hinged plate
- Gallows with meat hook
- Brushed high-grade steel



METTLER TOLEDO

We have the right solution for every application – easy, rugged and cost-effective!



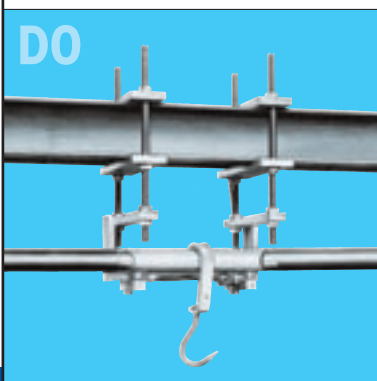
MO600/1200 Overhead Rail Scale

Overhead rail scales from the MO line for loads of up to 600 kg or 1200 kg are the ideal solution for the fast and precise weighing of animal carcasses. The hybrid design (digital strain gauge weighing cell and lever arm system) means that measuring rail inserts can be detached from the weighing system and vibrations have no effect on the weighing result. The MO line masters both manual and dynamic weighing with style and all with a multi-interval certifiable resolution of 3 x 3000. The standard rail insert support is suitable for conventional tubular systems, while the universal rail insert support and the universal adaption plate ensure easy integration in a wide range of rail systems. Weighing rail insert lengths of 200 to 1000 mm can be used depending on the application.



DSO150/300 Overhead Rail Scale

For a weighing capacity of 150 kg or 300 kg, a strain gauge weighing cell is used for weight determination. Rail lengths of 200, 300 or 400 mm are available to carry the animal carcasses. DSO scales can be easily integrated regardless of the type of rail system used, as both versions have a "rail insert support including 2" rail" and a "universal adaption plate". They are installed above the mounting support. The analog overhead rail scales can be operated with a certifiable resolution of 50 g for a weighing capacity of 150 kg and 100 g for a weighing capacity of 300 kg.



DO300 Overhead Rail Scale

The DO300 overhead rail scale is equipped with two strain gauge weighing cells and is designed for weighing up to 300 kg. The rugged and torsionally rigid unit is mounted below the mounting support and thus ensures compact installation in very small spaces. Depending on the application, the DO300 is available in an analog or digital (IDNet) version with a certifiable resolution of 3000. In addition, weighing rail inserts are available in lengths of 600, 800 and 1000 mm.



DW150 Wall Scale

The space-saving, compact wall scale is the ideal solution for weighing part loads on the hinged plate or half-carcasses on the gallows with the meat hook. The hinged plate, casing and gallows are made from brushed material (chrome steel) and ensure compliance with stringent hygiene regulations. Together with the strain gauge weighing cell, the rugged unit provides a stable measured value within a short time at a certifiable resolution of 50 g. Depending on the condition of the installation wall, installation kits are available for dowel and screw-through mounting. A bench stand is also available for non-load-bearing walls. The optional meat hook can be secured vertically in two different positions.

Model	MO600	MO1200	DS0150T	DS0300T	DO300
Weighing rail insert length [mm]	800, 1000	800	200, 300, 400		600, 800, 1000
Finish on scale	Hot galvanized ¹⁾		Hot galvanized ¹⁾		Hot galvanized ¹⁾
Type of protection	IP67		IP65		IP65
Type of connection	IDNet		Analog		Analog / IDNet
Connection cable [m]	20		20		20
Weighing capacity					
Maximum capacity [kg]	600	1200	150	300	300
Minimum capacity [kg]	1	2	1	2	2
Taring range (by subtraction)	0 ... maximum capacity		0 ... maximum capacity		0 ... max. cap.
Preload range ²⁾					
Zero setting range [kg]	12	24	3	6	6
Preload range [kg]	108	216	27	54	54
Certification data to OIML Class III					
e1/Max1 [g/kg]	50 / 150	100 / 300	50 / 150	100 / 300	100 / 300
e2/Max2 [g/kg]	100 / 300	200 / 600			
e3/Max3 [g/kg]	200 / 600	500 / 1200			
Temperature range [°C]	-10...+40		-10...+40		-10...+40
Max. static safe load					
With central load [kg]	1000	1500	450	450	900
With side load [kg]	665	500	350	350	600
Weighing accuracy					
Repeatability s [kg]	0,02	0,04	0,02	0,03	0,03
Typical linearity [kg]	0,02	0,1	0,02	0,04	0,04
Typical edge load (1/2 max. cap.) [kg]	0,07	0,15	0,04	0,08	0,08

¹⁾ Powder-coated lever arms ²⁾ The preload can be enlarged accordingly for a smaller weighing capacity

Model	DW150
Plate size [mm]	600 x 400
Finish on visible surfaces	Stainless steel (1.4301/AISI 304)
Finish hinged plate support/internal frame	Hot galvanized
Type of protection	IP67
Type of connection	Analog / IDNet
Connection cable [m]	2,5
Weighing capacity	
Maximum capacity [kg]	150
Minimum capacity [kg]	1
Taring range (by subtraction)	0 ... maximum capacity
Preload range ¹⁾	
Zero setting range [kg]	3
Preload range [kg]	27
Certification data to OIML Class III	
e1/Max1 [g/kg]	50 / 150
Temperature range [°C]	-10...+40
Max. static safe load	
With central load [kg]	250
With side load [kg]	160
Cornerload (1/3 max. capacity) [kg]	80
Meat hook [kg]	120
Weighing accuracy	
Repeatability s [kg]	0,01
Typical linearity [kg]	0,015

¹⁾ The preload can be enlarged accordingly for a smaller weighing capacity



Transport Packaging

MO Overhead Rail Scale

Pallet, external dimensions: 1050 x 405 x 330 mm
Weight (without weighing rail insert support and weighing rail insert): 70.6 kg gross or 60.7 kg net

DSO Overhead Rail Scale

Pallet, external dimensions: 620 x 600 x 340 mm
Weight: 40 kg gross or 33.5 kg net

DO Overhead Rail Scale

Pallet, external dimensions: 1050 x 405 x 330 mm
Weight: 55 kg gross or 48 kg net (analog version)

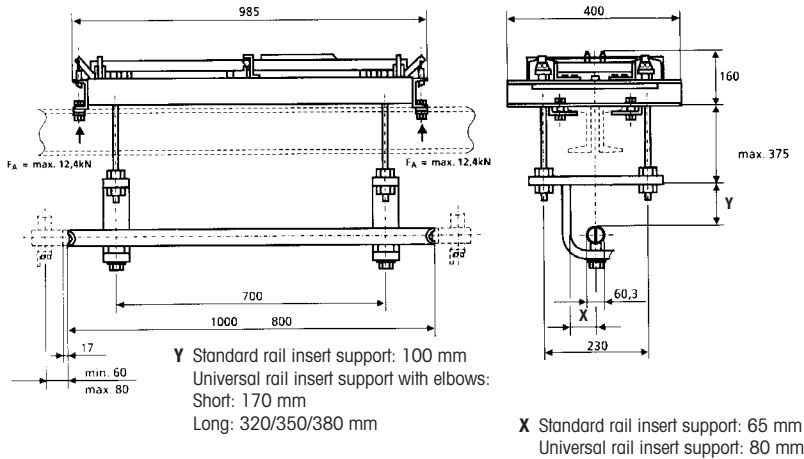
DW Wall Scale

Pallet, external dimensions: 620 x 600 x 340 mm
Weight: 59.3 kg gross or 49.7 kg net

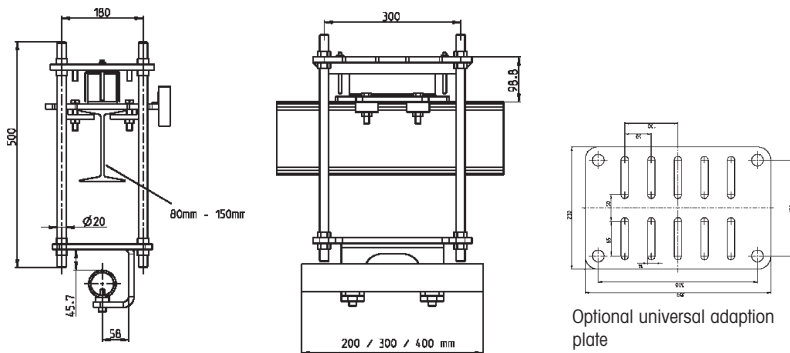


Dimension diagrams

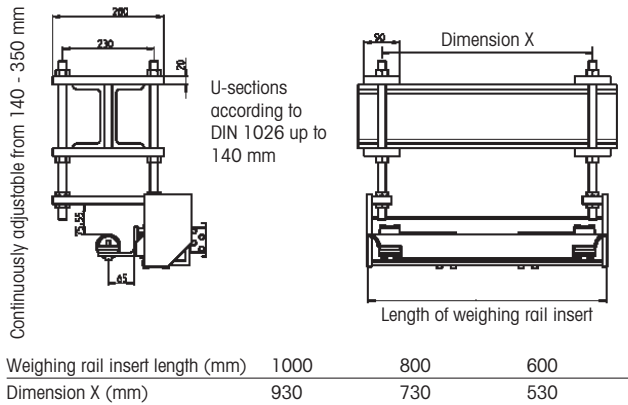
MO



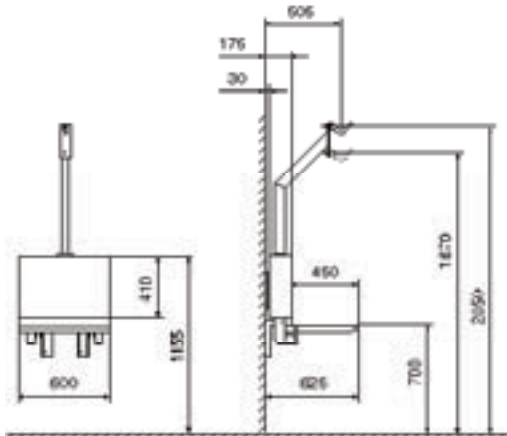
DSO



DO



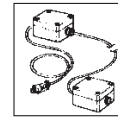
DW



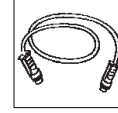
Accessories

Accessories

For MO, DO and DW in conjunction with ID terminals



Connector set, comprises two connection boxes for continuous extension of the connection cable to 100 m. Box on terminal side has 2.5 m connection cable.

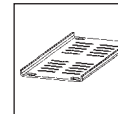


Connection cable extension
10 m long, connector at both ends for remote terminal installation.

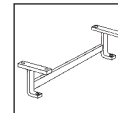


Special cable from reel
For use with the connector set for continuous extension of the connection cable.

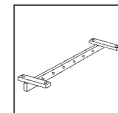
MO Accessories



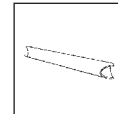
Adaption plate
For flexible mounting of customized rail conveyor systems, hot galvanized.



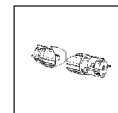
Standard weighing rail insert support
Hot galvanized, length of weighing rail insert:
MO600 / MO1200 800 mm
MO600 1000 mm



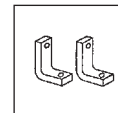
Universal rail insert support
For 200, 400 or 600 mm weighing rail inserts and for inserts without elbows for customized rail conveyor systems, hot galvanized.



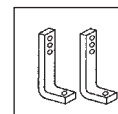
Weighing rail inserts
Steel tube (\varnothing 60.3 mm) with V cutout at ends, hot galvanized, 800 mm or 1000 mm long.



Tubular track adapters
For connection to rail conveyors with diameter 60.3 mm. Made entirely from chrome-nickel steel with V cutout.

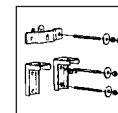


Elbows, small
1 set = 2 pieces, for universal rail insert support, hot galvanized.

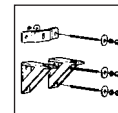


Elbows, large
Extended, 1 set = 2 pieces, for universal rail insert support, hot galvanized.

DW Accessories



Dowel installation kit
With standard support, for securing the scale to load-bearing walls. Comes complete with all mounting parts.



Screw-through mounting kit
With standard support, for screw-through mounting. Comes complete with tie rods and all mounting parts.



Gallows with meat hook
Chrome-nickel steel finish. Comes complete with all mounting parts.



Bench stand
Hot galvanized, for non-load-bearing walls.

