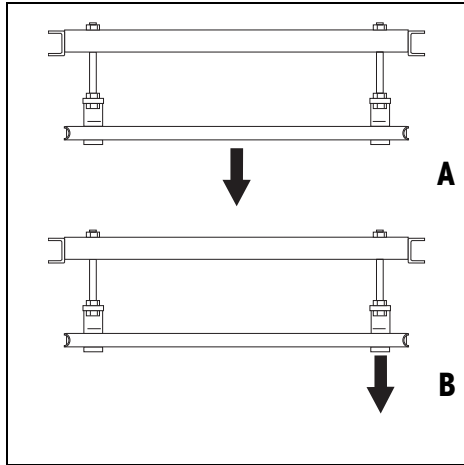


4 Operating limits

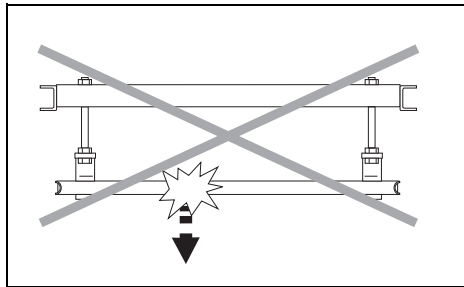
The overhead-rail scale has such a rugged design that no damage should result if the maximum weighing capacity is occasionally exceeded.

The static load-bearing capacity, i.e. the maximum permissible load, is dependent on the type of loading (Positions A, B).



Maximum permissible load

	M0600	M01200
A	1000 kg	1500 kg
B	665 kg	1000 kg

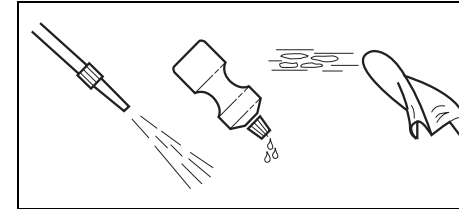


▲ Avoid shocks.

5 Cleaning the weighing platform

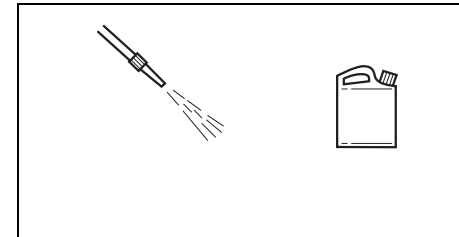
Maintenance of the weighing platform is limited to regular cleaning. The procedure depends both the environmental conditions prevailing at the installation location.

5.1 Cleaning the exterior



Stainless-steel and hot-galvanised versions

- Wipe with a damp cloth.
- Water jet up to 60 °C.
- Use household cleaning agents.

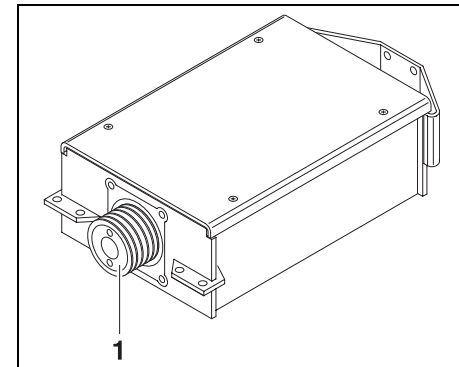


Corrosive surroundings

- Water jet up to 60 °C.
- Remove corrosive substances at regular intervals.
- Only use disinfectants and cleaning agents in accordance with the manufacturer's specifications and instructions.

5.2 Cleaning the interior

- Remove dirt and deposits on the overhead rail scale at regular intervals.

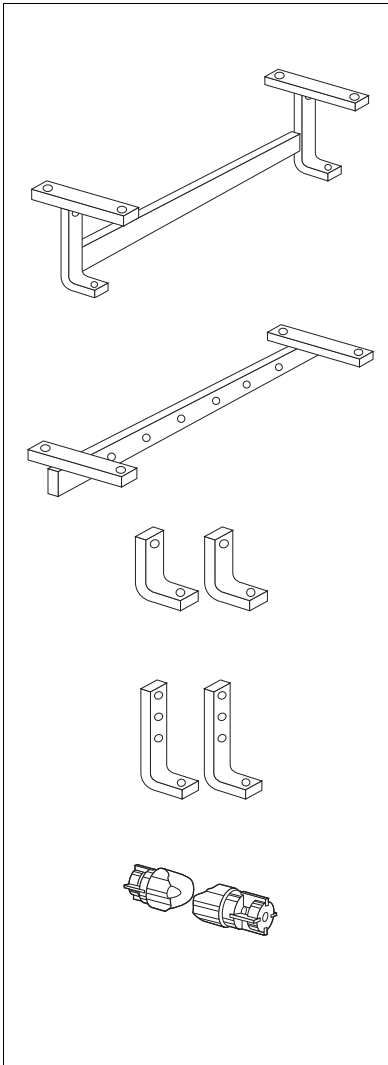


CAUTION

The measuring cell can be damaged!

- During cleaning work, never touch, direct an airflow against or spray the rubber diaphragm (1) of the measuring cell.
- Blow out dirt or flush with a medium-power water jet.

6 Standard accessories



	Order No.
<p>Standard rail insert support for METTLER TOLEDO weighing rail inserts of 800 mm and 1000 mm in length</p>	00 505 363
<p>General-purpose rail insert support for weighing rail inserts of 200 mm, 400 mm and 600 mm in length</p>	00 505 364
<p>Fixing brackets, short Set of 2 with attachments for general-purpose rail insert support</p>	00 505 365
<p>Fixing brackets, long Set of 2 with attachments for general-purpose rail insert support for use with a chain conveyor</p>	00 505 366
<p>Tubular track adapters Set of 2 for connecting to customer's existing tubular conveyor with Ø 60.3 mm all stainless steel with V-cutout</p>	00 503 663

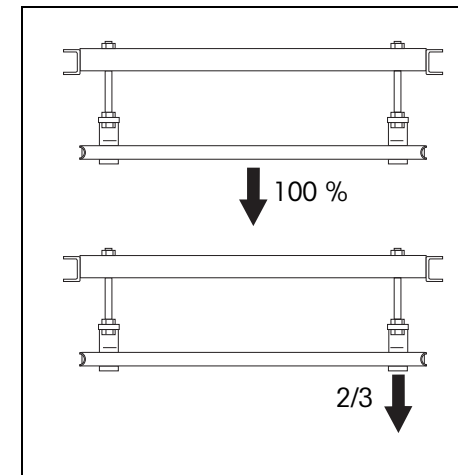
1 General information

The overhead-rail scale is part of a modular system. The associated components, such as terminals, application pacs and the extensive range of accessories, allow you to assemble a weighing system ideally tailored to the needs of your operation.

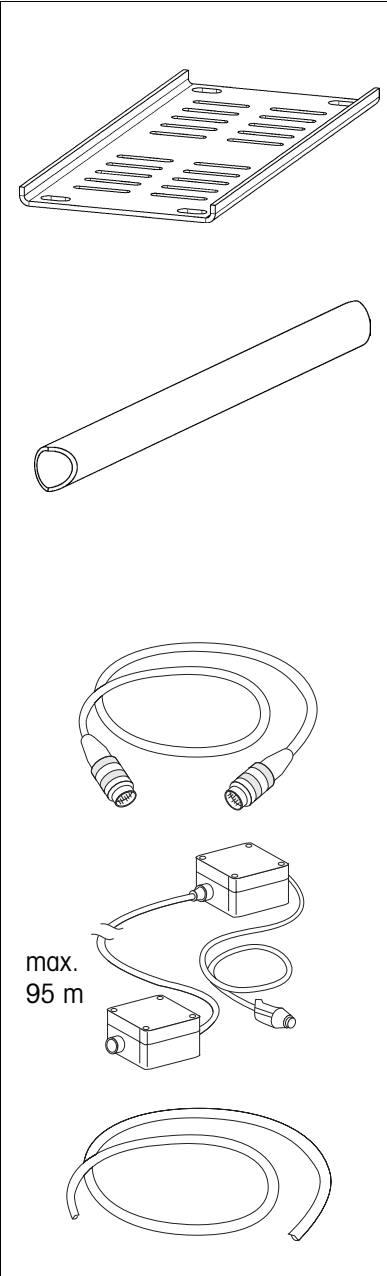
2 Preparatory work

- ▲ Make sure that the local conditions comply with the requirements of the installation instructions.
- ▲ As METTLER TOLEDO has no knowledge of the local conditions, it shall bear no liability whatsoever for the fastening of the overhead rail scale to the tubular track support structure.

3 Weighing range



- ▲ The maximum load, and therefore the weighing range of the overhead rail scale, is based on the selected configuration (see measuring data plates).
- ▲ With a centrally suspended load, the weighing range covers the entire range, from the zero point to the configured maximum load.
- ▲ If the load is suspended on the side, the upper limit of the weighing range is 2/3 of the configured maximum load.
- ▲ The scale provides the specified accuracy within these ranges.



Order No.

Adapter plate

22 010 081

for mounting tubular track systems
 760 mm x 330 mm
 Hole spacing: 50 mm
 Hole length: 80 mm

Weighing rail insert

steel tube Ø 60.3 mm
 with V-cutout at ends

200 mm	00 205 068
400 mm	00 205 067
600 mm	00 205 066
800 mm	00 503 665
1000 mm (only MO600)	00 503 664

Extension cable

00 504 134

Length 10 m, connector at both ends
 for remote setup of ID terminal

Cable adapter kit for ID terminals 00 504 133

for extending connection cable to 100 m
 comprising two junction boxes
 Box at terminal end with connection cable of 2.5 m length

max.
95 m

Special cable from the roll

00 504 177

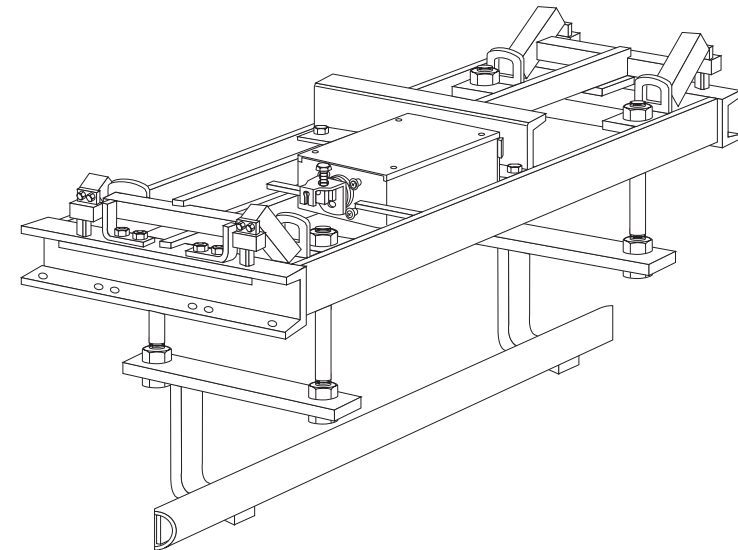
used with adapter kit for ID terminals for extension of connection cable to required length

Operating instructions

METTLER TOLEDO MultiRange Overhead rail scales

METTLER TOLEDO

M0600/M01200



22006490A

Subject to technical changes © Mettler-Toledo (Albstadt) GmbH 07/03 Printed in Germany 22006490A

Mettler-Toledo (Albstadt) GmbH

D-72458 Albstadt

Tel. ++49-7431-14 0, Fax ++49-7431-14 232

Internet: <http://www.mt.com>