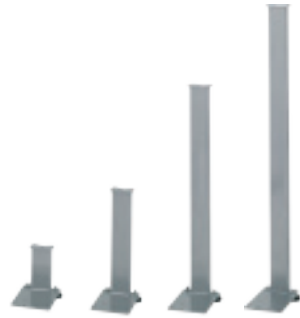


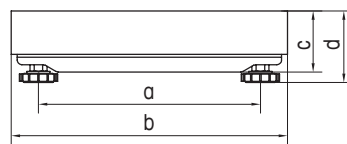
Accessories

| | Order number |
|-------------------------------|--------------|
| Stand, stainless steel | |
| Heights 120 mm / 4.7" | 72 229 393 |
| Heights 330 mm / 13" | 72 198 702 |
| Heights 660 mm / 26" | 72 198 703 |
| Heights 900 mm / 35.4" | 72 198 704 |

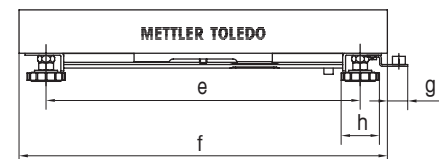


Dimensions

Front view



Side view



| Model – Dimension in mm/" | a | b | c | d | e | f | g | h |
|------------------------------|--------|-------|-------|------|-------|-------|------|------|
| PBA426(x)-A... | mm 175 | 240 | 59 | 86 | 235 | 300 | 21 | 42 |
| " | 6,89 | 9,45 | 2,32 | 3,38 | 9,25 | 7,87 | 0,83 | 1,65 |
| PBA426(x)-BB... | mm 235 | 300 | 76 | 97 | 335 | 400 | 18 | 42 |
| " | 9,25 | 11,81 | 2,99 | 3,81 | 13,18 | 15,74 | 0,7 | 1,65 |
| PBA426(x)-B... | mm 335 | 400 | 108,5 | 123 | 435 | 500 | 18 | 42 |
| " | 13,18 | 15,74 | 4,27 | 4,84 | 17,12 | 19,68 | 0,7 | 1,65 |
| PBA426(x)-QA... | mm 163 | 228 | 59 | 86 | 163 | 228 | 21 | 42 |
| " | 6,41 | 8,97 | 2,32 | 3,38 | 6,41 | 8,97 | 0,83 | 1,65 |
| PBA426(x)-QB... | mm 240 | 305 | 76 | 97 | 254 | 305 | 17 | 42 |
| " | 9,45 | 12,0 | 2,99 | 3,81 | 10,0 | 12,0 | 0,67 | 1,65 |

Weighing Platform



PBA426/PBA426x Weighing Platform

Full stainless steel construction

Capacities from 3 to 60 kg

OIML and NTEP approved

Hygienically designed

Water resistant
according to IP65/IP67

www.mt.com

For more information

Rugged, Easy to Clean, Precise
for Your Light Wash Down Applications

Mettler-Toledo Ltd
64 Boston Road
Beaumont Leys
Leicester
LE4 1AW
Tel. 0116 235 7070

Subject to technical changes
© 08/2011 Mettler-Toledo AG
Printed in Switzerland
MTSI 44099456

ServiceXXI
Tailored Services



METTLER TOLEDO

For Challenging Applications in Light Wet & Humid Environments

The PBA426/PBA426x fully stainless steel platform is a robust, durable and economical solution for a wide range of weighing tasks with light wash down requirements. This platform series is a perfect fit in many food manufacturing or chemical/pharmaceutical processing applications with a need for durability, uncompromising cleanliness and a good protection against the impact of water (120 min./day), humidity and condensation.

The PBA426x series can also be used in hazardous environments.



Technical specifications

| | |
|----------------------------------|--|
| Resolution | 15000d OIML Class III, 3000e NTEP Class III, 5000d |
| Ingress Protection | IP65/IP67 |
| Material | Platform frame: Stainless steel AISI304 Load plate: Stainless steel AISI304 |
| Load Cell | Stainless steel, potted |
| * Hazardous Area Approval | ATEX: Zone 1/21 ** FM: I.S. Class I, II, III, Division 1 |

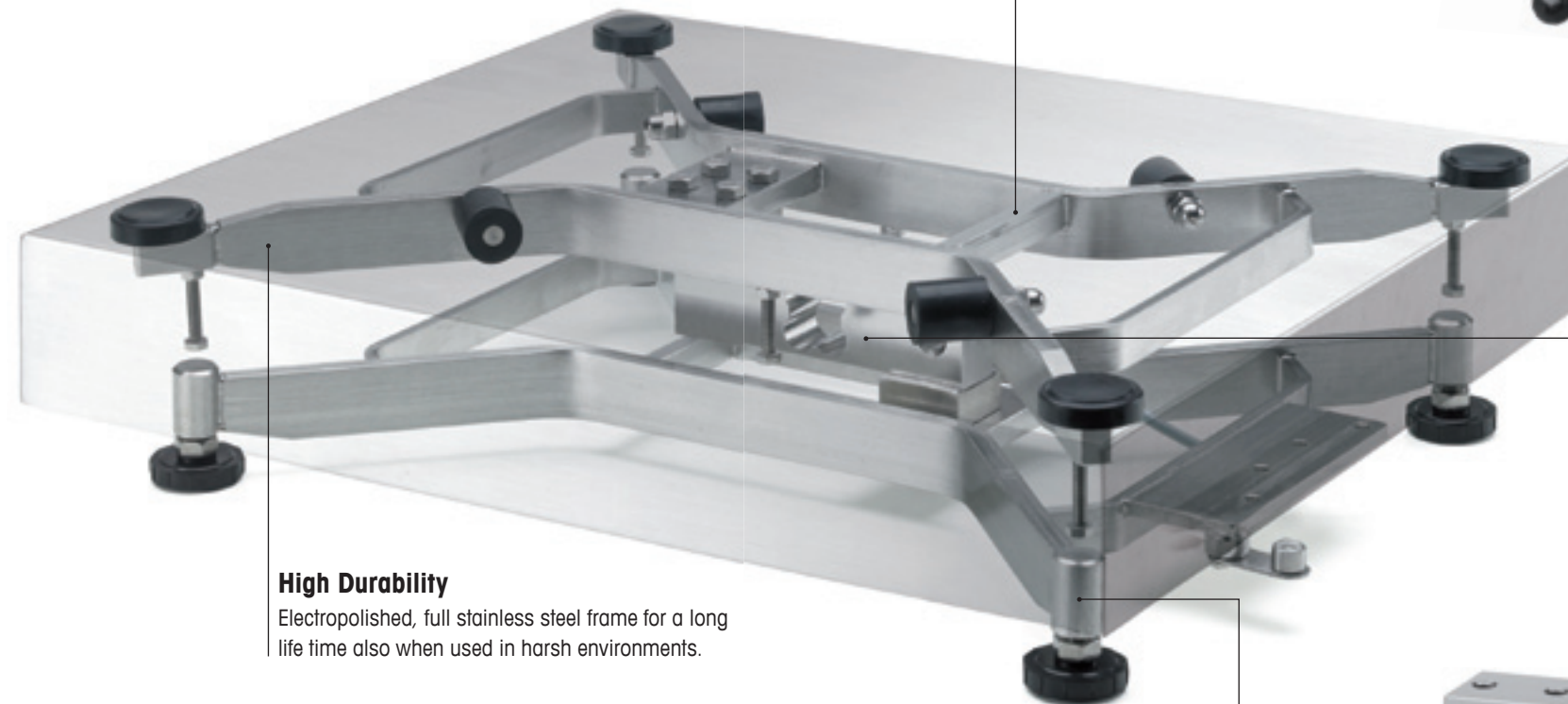
* only when ordered as PBA426x

** Use in the hazardous location is based on FM approved HBM, Inc. load cell

Standard configurations

| Model | Platform size | Max. weighing capacity | | | | Cable length |
|---|------------------------------|------------------------|----------------|----------------|----------------|----------------|
| Rectangular weighing platforms | | | | | | |
| PBA426(x)-A | 240 x 300 mm / 9.5" x 11.8" | 3 kg / 5 lb* | 6 kg / 10 lb | 15 kg / 25 lb | | 3 m / 9.9ft |
| PBA426(x)-BB | 300 x 400 mm / 11.8" x 15.7" | | | | 30 kg / 50 lb | 3 m / 9.9ft |
| PBA426(x)-B | 400 x 500 mm / 15.7" x 19.7" | | | | 30 kg / 50 lb | 3 m / 9.9ft |
| Certifiable resolution 1x3000e / 1x5000d | | | | | | |
| Readability certified | | 1 g / NA* | 2 g / 0.002 lb | 5 g / 0.005 lb | 10 g / 0.01 lb | 20 g / 0.02 lb |
| Min. capacity (certified platforms only) | | 20 g / NA* | 40 g / 0.04 lb | 100 g / 0.1 lb | 200 g / 0.2 lb | 400 g / 0.4 lb |
| Square weighing platforms | | | | | | |
| PBA426(x)-QA | 229 x 229 mm / 9" x 9" | 3 kg / 5 lb* | 6 kg / 10 lb | | | 3 m / 9.9ft |
| PBA426(x)-QB | 305 x 305 mm / 12" x 12" | | | 15 kg / 25 lb | 30 kg / 50 lb | 60 kg / 100 lb |
| Certifiable resolution 1x3000e / 1x5000d | | | | | | |
| Readability certified | | 1 g / NA* | 2 g / 0.002 lb | 5 g / 0.005 lb | 10 g / 0.01 lb | 20 g / 0.02 lb |
| Min. capacity (certified platforms only) | | 20 g / NA* | 40 g / 0.04 lb | 100 g / 0.1 lb | 200 g / 0.2 lb | 400 g / 0.4 lb |

* not NTEP approved Model designation example: Size 240x300mm / 6kg: PBA426(x)-A6 (H) Zero setting range = 2% of max. capacity Temperature range = -10°C to +40°C / 14°F to 104°F Preload range = 18% of max. capacity Taring range subtractive from 0 to max. capacity



High Durability

Electropolished, full stainless steel frame for a long life time also when used in harsh environments.

Construction per size



A 240 x 300 mm / 9.5" x 11.8"
QA 229 x 229 mm / 9" x 9"



BB 300 x 400 mm / 11.8" x 15.7"
B 400 x 500 mm / 15.7" x 19.7"
QB 305 x 305 mm / 12" x 12"

Easy to Clean

The open, sturdy and straight forward mechanical design allows for efficient cleaning due to good access to any part of the construction.



Precise Leveling – High Protection

Optimally placed and specific adjusted overload stops grant the best possible protection against load cell damaging. Easy adjustable feet allow for reliable and precise scale leveling.



Stainless Steel Load Cell

The advanced and state of the art technology makes this load cell a perfect choice for light wash down applications. It also will reliably work in damp and aggressive environments for an extended period of time.



Optional Hygienic Kit

To easily reduce on site-contamination, this platform series is optionally also available with a hygienic-kit containing specially designed leveling kits and overload stops.