

# InPro® 2000 and 465-50 electrodes

## Process reliability and highest accuracy in critical processes

### Technical data

---



InPro 2000



(HA, HF, LoT)  
465-50

#### Short description

In most varied types of application as well as under the most difficult process conditions, refillable electrodes with liquid electrolyte have over decades proved to be real problem-solvers. The exceptional performance of the InPro 2000 and 465-50 pH electrodes family is based on high versatility and performance standards, and provides the user with a whole range of outstanding advantages:

- Highest possible reproducibility and measuring performance due to permanent self-cleaning of the diaphragm through pressurizable reference system
- Maximum lifetime due to refillable reference electrolyte
- Highest precision measurement due to automatic temperature compensation based on integrated temperature sensor
- Prevention of contamination and clogging of the diaphragm in sulfide containing process medium due to patented silver-ion trap
- Maximum measuring performance for every need due to an electrode portfolio with a wide range of glass membrane and reference system combinations to suit any specific application
- Best possible protection of the reference system even under the most highly demanding conditions due to bridge electrolyte

#### Reference electrolyte/refillable liquid electrolytes

Viscolyt (9816) for general chemical applications  
KCl (9823) for cleaning of the diaphragm with high discharge rate  
Friscolyt (9818) for solvent or protein-bearing process media  
For special applications, other electrolytes are available (see p. 6–8).

#### Housings

InPro 2000 and 465-50 electrodes can be used with stationary and retractable housings.

### Contents

Specifications	2
Ordering information InPro 2000	2/3
Ordering information 465-50 electrode	3/5
Recommended housings	6
Drawings	9

Specifications

pH range	InPro 2000: 0...14 InPro 2001: 1...11 InPro 2002: 1...11	HA 465-50: 0...14 465-50: 0...12 (HF, LoT) 465-50: 1...11
Temperature range °C	InPro 2000: 0...140 (32...284 °F) InPro 2001: -30...80 (-22...176 °F) InPro 2002: 0...80 (32...176 °F)	(HA) 465-50: 0...130 (32...266 °F) LoT 465-50: -30 80 (-22...176 °F) HF 465-50: 0...80 (32...176 °F)
Pressure resistance	up to max. 6 bar (87 psi) overpressure at 130 °C (266 °F)	
Reference system	Argenthal (Ag/AgCl)	
Reference electrolyte	refillable liquid electrolytes: Viscolyt (9816) for general chemical applications KCl (9823) for self-cleaning of diaphragms with high outflow Friscolyt (9848) for solvent- or protein-containing process media	
Diaphragm	1, 2 or 3 ceramic diaphragm(s) Viscolyt: 3 diaphragms Friscolyt: 2 diaphragms KCl: 1 diaphragm	
Glass membrane	InPro 2000 and HA 465-50: alkaline-media resistant glass InPro 2001 and LoT 465-50: low-temperature glass InPro 2002 and HF 465-50: hydrofluoric acid resistant glass Series 465-50: glass resistant to thermal sterilization	
Connector	InPro 2000 series: VarioPin (VP), (HA, HF, LoT) 465-50: S7 IP68 Pg 13.5 thread	
Ex certification	Ex ia IIC T6/T5/T4/T3 Ga/Gb, SEV 14 ATEX 0168 X, IECEx SEV 14.0025X for the InPro 2000 series	
FM certification	IS / I, II, III / Div 1 / GR ABCDEFG / T6 for the InPro 2000 series	
PED certification	Pressure Equipment Directive guidelines 97/23/EG, Art. 3, Para. 3, for the InPro 2000 Series	
Silver-ion trap	InPro 2000 series: yes	(HA, HF, LoT) 465-50: with SC designation
Sterilizable	yes	
Autoclavable	InPro 2000 series: yes	465-50 series: no
CIP-compliance	yes	

Ordering information InPro 2000 Series

- Designed for use in stirred vessels, tanks, open basins and pipes in the chemical industry under harsh process conditions, and now also for up to 6 bar (87 psi) overpressure.
- Optimal measurement performance even in strong alkaline media thanks to a tried and tested special glass membrane for applications in the field of chemical processes.

pH electrodes for demanding processes

Temperature sensor Pt100	Shaft length [a] in mm	Order no.
InPro 2000/120/Pt100/9816	120 (4.7")	52 001 426
InPro 2000/120/Pt100/9823	120 (4.7")	52 001 430
InPro 2000/120/Pt100/9848	120 (4.7")	52 001 434
InPro 2000/150/Pt100/9816	150 (5.9")	52 002 179
InPro 2000/150/Pt100/9823	150 (5.9")	52 002 831
InPro 2000/150/Pt100/9848	150 (5.9")	52 001 590
InPro 2000/200/Pt100/9848	200 (7.9")	52 002 192
InPro 2000/250/Pt100/9816	250 (9.8")	52 001 428
InPro 2000/250/Pt100/9848	250 (9.8")	52 001 436

<b>pH electrodes for demanding processes</b>		
<b>Temperature sensor Pt100</b>	<b>Shaft length [a] in mm</b>	<b>Order no.</b>
InPro 2000/250/Pt100/9823	250 (9.8")	52 001 432
InPro 2000/450/Pt100/9816	450 (17.7")	52 001 738
InPro 2000/450/Pt100/9823	450 (17.7")	52 001 794
InPro 2000/450/Pt100/9848	450 (17.7")	52 001 655
InPro 2001/120/Pt100/9848	120 (4.7")	52 002 756
InPro 2001/250/Pt100/9848	250 (9.8")	52 001 758
InPro 2001/450/Pt100/9848	450 (17.7")	52 002 800

<b>pH electrodes for chemical applications</b>		
<b>Temperature sensor Pt100</b>		
InPro 2002/120/Pt100/9848	120 (4.7")	52 002 291
InPro 2002/250/Pt100/9848	250 (9.8")	52 002 791

<b>with bridge electrolyte</b>		
InPro 2000EB/120/Pt100/9816	120 (4.7")	52 002 756
InPro 2000EB/250/Pt100/9823	250 (9.8")	52 002 510

<b>Temperature sensor Pt1000</b>		
InPro 2000/120/Pt1000/9816	120 (4.7")	52 001 427
InPro 2000/120/Pt1000/9823	120 (4.7")	52 001 431
InPro 2000/120/Pt1000/9848	120 (4.7")	52 001 435
InPro 2000/150/Pt1000/9816	150 (5.9")	52 001 704
InPro 2000/150/Pt1000/9848	150 (5.9")	52 001 749
InPro 2000/250/Pt1000/9816	250 (9.8")	52 001 429
InPro 2000/250/Pt1000/9823	250 (9.8")	52 001 433
InPro 2000/250/Pt1000/9848	250 (9.8")	52 001 437
InPro 2000/450/Pt1000/9816	450 (17.7")	52 001 792
InPro 2000/450/Pt1000/9823	450 (17.7")	52 001 777
InPro 2000/450/Pt1000/9848	450 (17.7")	52 001 666
InPro 2001/150/Pt1000/9848	150 (5.9")	52 002 542

**Ordering information****Series: 465-50 with HA, HF, LoT**

- Designed for use in stirred vessels, tanks, open basins and pipes in the chemical industry under harsh process conditions, and now also for up to 6 bar (87 psi) overpressure.
- Optimal measurement performance even in strong alkaline media thanks to a well-proven special membrane glass for applications in the field of chemical processes.

<b>pH electrodes</b>		
<b>with high-alkali glass</b>	<b>Shaft length [a] mm</b>	<b>Order no.</b>
HA465-50-SC-S7/120/9823	120 (4.7")	10 465 4510IG
HA465-50-SC-S7/150/9823	150 (5.9")	10 465 4511IG
HA465-50-SC-S7/250/9823	250 (9.8")	10 465 4512IG
HA465-50-SC-S7/450/9823	450 (17.7")	10 465 4513IG
HA465-50-SC-S7/200/9823	200 (7.9")	10 465 4514IG
HA465-50-SC-S7/250/9840	250 (9.8")	10 465 4515IG
HA465-50-SC-T-S7/450	450 (17.7")	10 465 4517IG
HA465-50-SC-P-S7/120/9848	120 (4.7")	10 465 4519IG
HA465-50-SC-P-S7/250/9848	250 (9.8")	10 465 4522IG
HA465-50-SC-S7/150/9830	150 (5.9")	10 465 4524IG

<b>pH electrodes</b>		
<b>with high-alkali glass</b>	<b>Shaft length [α] mm</b>	<b>Order no.</b>
HA465-50-SC-S7/120/9830	120 (4.7")	10 465 4525IG
HA465-50-SC-S7/250/9830	250 (9.8")	10 465 4526IG
HA465-50-SC-P-S7/150/9848	150 (5.9")	10 465 4531IG
HA465-50-SC-T-S7/120	120 (4.7")	52 001 034
HA465-50-SC-T-S7/150	150 (5.9")	52 001 035
HA465-50-SC-T-S7/200	200 (7.9")	52 001 036
HA465-50-SC-T-S7/250	250 (9.8")	52 001 037

<b>with high-alkali glass and electrolyte bridge</b>		
HA465-50-90-T-S7/120	120 (4.7")	10 465 4157IG
HA465-50-90-T-S7/150	150 (5.9")	10 465 4158IG
HA465-50-90-T-S7/200	200 (7.9")	10 465 4159IG
HA465-50-90-T-S7/250	250 (9.8")	10 465 4160IG
HA465-50-90-T-S7/400	400 (15.8")	11 465 3039IG
HA465-50-90-T-S7/450	450 (17.7")	52 001 038
HA465-50-90-T-S7/120/9846	120 (4.7")	11 465 3079IG
HA465-50-90-T-S7/120/9813	120 (4.7")	11 465 3081IG

<b>with high-alkali glass and electrolyte bridge</b>		
HA465-50-90-T-S7/150/9813	150 (5.9")	11 465 3183IG
HA465-50-90-T-S7/250/9813	250 (9.8")	52 000 717
HA465-50-90-T-S7/250/9823/9823	250 (9.8")	10 465 4527IG
HA465-50-90-S7/120/9823-9823	120 (4.7")	11 465 3077IG
HA465-50-90-S7/150/9823/9823	150 (5.9")	52 001 039
HA465-50-90-S7/200/9823/9823	200 (7.9")	52 001 040
HA465-50-90-S7/250/9823/9823	250 (9.8")	52 001 041
HA465-50-90-S7/450/9823/9823	450 (17.7")	52 001 042

<b>Sterilization-resistant glass</b>		
465-50-S7/120	120 (4.7")	10 465 3456IG
465-50-S7/150	150 (5.9")	10 465 3457IG
465-50-S7/200	200 (7.9")	10 465 3458IG
465-50-S7/250	250 (9.8")	10 465 3459IG
465-50-S7/350	350 (13.8")	10 465 3461IG
465-50-S7/470	470 (18.5")	10 465 4129IG
465-50-S7/550	550 (21.7")	10 465 3465IG
465-50-T-S7/120	120 (4.7")	10 465 4493IG
465-50-T-S7/150	150 (5.9")	10 465 4452IG
465-50-T-S7/200	200 (7.9")	10 465 4488IG
465-50-T-S7/250	250 (9.8")	10 465 4483IG
465-50-SC-P-S7/120/9848	120 (4.7")	10 465 4500IG
465-50-SC-P-S7/150/9848	150 (5.9")	10 465 4501IG
465-50-SC-P-S7/200/9848	200 (7.9")	10 465 4502IG
465-50-SC-P-S7/250/9848	250 (9.8")	10 465 4503IG
465-50-SC-P-S7/350/9848	350 (13.8")	11 465 3175IG
465-50-SC-P-S7/450/9848	450 (17.7")	10 465 4509IG
465-50-SC-P-S7/520/9848	520 (20.5")	11 465 3176IG
465-50-SC-P-S7/550/9848	550 (21.7")	11 465 3177IG

<b>Sterilization-resistant glass and electrolyte bridge</b>		
465-50-90-K9/120	120 (4.7")	10 465 4022IG
465-50-90-T-S7/200	200 (7.9")	10 465 4149IG

**pH electrodes**

<b>Sterilization-resistant glass and electrolyte bridge</b>	<b>Shaft length [a] mm</b>	<b>Order no.</b>
465-50-90-T-S7/120	120 (4.7")	10 465 4495IG
465-50-90-S7/170	170 (6.7")	11 465 3011IG
465-50-90-T-S7/120/9849	120 (4.7")	11 465 3026IG

**with special glass membrane**

HF465-50-T-S7/450	450 (17.7")	11 465 3174IG
LoT465-50-T-S7/120/9848	120 (4.7")	10 465 4164IG
LoT465-50-T-S7/150/9848	150 (5.9")	10 465 4173IG
LoT465-50-T-S7/250/9848	250 (9.8")	11 465 3053IG

**ORP electrodes**

Pt4865-50-SC-T-S7/120	120 (4.7")	10 565 3087IG
Pt4865-50-SC-T-S7/150	150 (5.9")	10 565 3088IG
Pt4865-50-SC-T-S7/200	200 (7.9")	10 565 3089IG
Pt4865-50-SC-T-S7/250	250 (9.8")	10 565 3090IG
Pt4865-50-SC-T-S7/450	450 (17.7")	52 001 043
Pt4865-50-SC-S7/120/9848	120 (4.7")	10 5653 138IG
Pt4865-50-SC-S7/150/9848	150 (5.9")	10 565 3137IG
Pt4865-50-SC-S7/170/9848	170 (6.7")	11 565 3038IG
Pt4865-50-SC-S7/200/9848	200 (7.9")	10 565 3139IG
Pt4865-50-SC-S7/250/9848	250 (9.8")	10 565 3140IG
Pt4865-50-SC-P-S7/450/9848	450 (17.7")	11 565 3041IG

**ORP electrodes with electrolyte bridge**

Pt4865-50-90-S7/120/9823-9823	120 (4.7")	52 001 044
Pt4865-50-90-S7/150/9823-9823	150 (5.9")	52 001 045
Pt4865-50-90-S7/200/9823-9823	200 (7.9")	52 001 046
Pt4865-50-90-S7/250/9823-9823	250 (9.8")	52 001 047
Pt4865-50-90-S7/450/9823-9823	450 (17.7")	52 001 048
Pt4865-50-90-T-S7/120/9848-9848	120 (4.7")	10 565 3579IG
Pt4865-50-90-T-S7/150	150 (5.9")	52 001 457
Pt4865-50-90-T-S7/450	450 (17.7")	11 565 3045IG

**Accessories****Cables (open ends) for InPro 2000 electrodes****Standard temperature** (-20...80 °C/-4...176 °F)

VP6-ST/ 3 m ( 9.8 ft)	52 300 108
VP6-ST/ 5 m (16.4 ft)	52 300 109
VP6-ST/10 m (32.8 ft)	52 300 110

**High temperature** (-30...140 °C/-22...284 °F)

VP6-HT/ 3 m ( 9.8 ft)	52 300 112
VP6-HT/ 5 m (16.4 ft)	52 300 113
VP6-HT/10 m (32.8 ft)	52 300 114

**Cables (open ends) for 465-50 electrodes**

AS9/ 1 m ( 3.3 ft)	10 001 0102
AS9/ 3 m ( 9.8 ft)	10 001 0302
AS9/ 5 m (16.4 ft)	10 001 0502
AS9/10 m (32.8 ft)	10 001 1002

Buffer solutions	Order no.	Order no.	Order no.
	1 x 250 ml	6 x 250 ml	1 x 1000 ml
pH 4.01 (red)	51 340 057	51 340 058	51 340 228
pH 7.00 (green)	51 340 059	51 340 060	51 340 229
pH 9.21 (blue)	51 300 193	51 300 194	51 340 230
Redox-Puffer + 220 mV	51 340 065	51 340 081	51 319 021
Redox-Puffer + 468 mV	51 340 066		

Refill electrolyte	Order no.	Order no.	Order no.
	1x 250 ml	6x 250 ml	6x 30 ml
Viscolyt 9816	51 340 235	51 340 236	–
Friscolyt 9848	51 340 053	51 340 054	–
3 mol/l KCl 9823	51 340 049	51 340 050	–
LiCl in Ethanol 9830	–	–	51 319 051
Calcolyt 9840	51 319 039	51 319 040	–
KNO <sub>3</sub> 9813	51 340 047	51 340 234	–

Cleaning solutions	Order no.	Order no.	Order no.
	1 x 250 ml	6 x 250 ml	1 x 1000 ml
Electrode cleaning solution	51 340 068	51 340 069	51 319 041
Diaphragm cleaning solution	51 340 070	51 340 082	–
Regeneration solution	51 340 073 (1 x 25 ml)		
Reactivation solution	51 319 053 (6 x 30 ml)		

Suitable housings		
Electrode shaft length [a]	Designation	Insertion length [h]
120 mm (4.7")	InFit 764 e	70 mm
120 mm (4.7")	InFit 763 e	400 – 4000 mm
150 mm (5.9")	InFit 763 e	400 – 4000 mm
150 mm (5.9")	InFit 764 e	100 mm
200 mm (7.9")	InFit 764 e	150 mm
250 mm (9.8")	InTrac 776 e	70/100 mm
	InTrac 796-M or P	75 mm
	InFit 764 e	100 mm
450 mm (17.7")	InTrac 776 e	200 mm

For pipe installations, the above housings can be used in combination with InFlow 76X Flow-through housings.

**For highest accuracy in critical processes**

**InPro 2000 and HA, HF, LoT 465-50 electrodes**

	HA 465-50-SC-T-57	HA 465-50-SC-S7/9823	HA 465-50-90-T-57	LoT 465-50-90-S7/9823/9823	HF 465-50-T-57-9848	Pt 4865-50-T-57	Pt 4865-50-SC-T-57	465-50-SC-P-57		
<b>Selection guide</b>										
pH range	0...14	0...14	0...14	0...14	0...14	1...11	1...11	mV	mV	0...12
Temperature range °C	0...130	0...130	0...130	0...130	0...130	-30...80	0...80	0...130	0...130	0...130
Temperature range °F	32...266	32...266	32...266	32...266	32...266	-22...176	32...176	32...266	32...266	32...266
Silver-ion-trap	4	4	–	–	–	–	–	4	–	4
Reference electrolyte	Viscolyt	KCl	Viscolyt	Viscolyt	KCl/KCl	Friscolyt	Viscolyt	Viscolyt	KCl/KCl	Friscolyt
<b>Applications</b>										
Chemical processes generally										
sulfide containing media in particular	4							4		
Boiler feed water, pharmaceutical processes, and at increased risk of diaphragm clogging		4								
Chemical processes in the presence of gases such as chlorine and hydrogen			4							
Problematic chemical processes requiring bridge electrolyte					4				4	
Cooling water, blood plasma fractionation, and other low temperature applications						4				
Process media containing hydrofluoric acid							4	4		
Applications in biotechnological processes, in particular in protein containing media										4
Chemical process media mainly based on organic solvents		9830*			9830*				9830*	
Sugar processing, citric acid production and at other CaCO <sub>3</sub> precipitation risks					9840*				9840*	
Media containing gypsum or metal oxide, with risk of sulfate precipitation					9902*				9902*	
Photo industry, latex paint industry and other media containing Hg <sup>2+</sup> , Cu <sup>2+</sup> , Ag <sup>+</sup> or Pb <sup>2+</sup> ions sensitive to Cl <sup>-</sup> ions					9813*				9813*	

\* KCl to be replaced by the specified electrolyte.

**Reference electrolyte**

A variety of different electrolytes are available to cover the widest range of applications in the chemical industry.

Designation		Order no. 1 x 250 ml	Order no. 6 x 250 ml
<b>9816 Viscolyt</b>	most frequently used CP electrolyte with limited outflow and therefore long refill intervals	51 340 235	51 340 236
<b>9823 KCl</b>	classic electrolyte with high electrolyte outflow for improved diaphragm cleaning	51 319 023	51 319 024
<b>9848 Friscolyt</b>	used for media with protein / organic solvents content, and in low-temperature applications	51 340 053	51 340 054
<b>9830 LiCl in ethanol</b>	used in chemical processes containing organic solvents	51 340 052	51 319 051
<b>9840 Calcolyt</b>	used where there is a risk of calcium carbonate precipitation	51 319 039	51 319 040
<b>9813 KNO<sub>3</sub></b>	used as bridge electrolyte where chloride ions interfere	51 340 047	51 340 234

**Electrolyte bridge**

Bridge-type electrodes (-90-) offer optimal protection of the reference element in the most difficult applications. They are equipped with two concentric electrolyte chambers for bridge and reference electrolyte respectively, separated by an internal diaphragm.

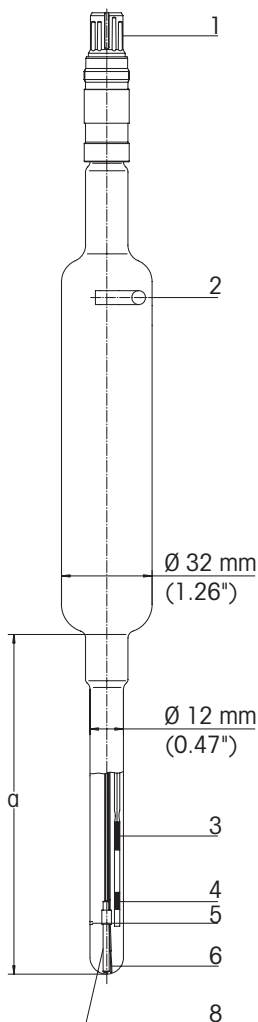
**Transmitters**

A wide range of transmitters can be offered to complete the METTLER TOLEDO measurement system, including a 4 wire version for universal AC/DC power supply, or alternatively in 2-wire versions, with HART®, FOUNDATION Fieldbus or Profibus® communication, of standard or explosion-proof (Ex) design.

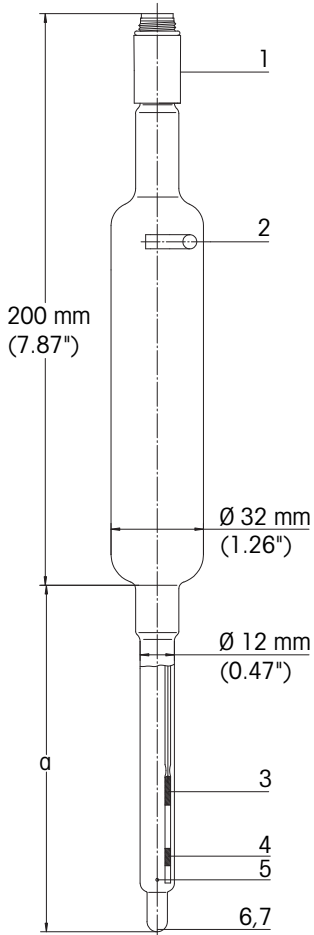


Drawing

InPro 2000



HA, HF, LoT 465-50



1 Connector

Provides a safe industrial connection, allowing rapid demounting and remounting during maintenance procedures.

2 Electrolyte refill opening

The necessary refill interval depends on the number of diaphragms, their porosity, electrolyte viscosity (temperature-dependent) and the applied pressure difference. Examples of electrolyte outflow per 24 hours at  $\varnothing$  P 2 bar and 25 °C (77 °F):

3 M KCl:	2 ml per diaphragm
Viscolyt:	0.15 – 0.3 ml at 3 diaphragms
Friscolyt:	0.3 – 0.6 ml at 3 diaphragms

3 Reference elements

**Argenthal** reference elements deliver stable potential and therefore reliable pH values at temperatures up to 130 °C. (266 °F)

**Argenthal with SC** The additional patented silver-ion trap efficiently protects the diaphragm from silver sulfide precipitations in sulfide-containing media.

**Equithal** reference elements have up to 10 times shorter response times in processes with rapidly changing temperatures.

5 Ceramic diaphragm(s)

Through their pores, ceramic diaphragms provide the required liquid junction between the measurement solution and the reference element via the reference electrolyte. 465-50 sensor versions are available with 1, 2 or 3 diaphragms, but in the chemical process industry predominantly those with 3 diaphragms (-T-) are used

6 pH sensitive glass

**HA** high-alkali glass assures reliable measurements over the whole range pH 0 – 14.

**LoT** glass is particularly suitable for measurements at low temperatures (down to minus 30 °C (-22 °F)).

**HF** glass offers increased resistance against media containing hydrofluoric acid (see table):

at pH 2 and 20 °C: (68 °F)	HF < 300 ppm
at pH 3 and 20 °C:	HF < 1000 ppm
at pH 4 and 20 °C:	HF < 6000 ppm
at pH > 5:	no F <sup>-</sup> concentration limit

7 Platinum ring

Applicable to redox sensors.

8 Temperature sensor

The built in temperature sensor (Pt 100 or Pt 1000) is located behind the pH glass and allows for the automatic compensation.





## METTLER TOLEDO Market Organizations

### Sales and Service:

#### Australia

Mettler-Toledo Ltd.  
220 Turner Street  
Port Melbourne  
AUS-3207 Melbourne/VIC  
Phone +61 1300 659 761  
Fax +61 3 9645 3935  
e-mail info.mtaus@mt.com

#### Austria

Mettler-Toledo Ges.m.b.H.  
Südrandstraße 17  
A-1230 Wien  
Phone +43 1 604 19 80  
Fax +43 1 604 28 80  
e-mail infoprocess.mt.at@mt.com

#### Brazil

Mettler-Toledo Ind. e Com. Ltda.  
Avenida Tamboré, 418  
Tamboré  
BR-06460-000 Barueri/SP  
Tel. +55 11 4166 7400  
Fax +55 11 4166 7401  
e-mail mettler@mettler.com.br  
service@mettler.com.br

#### China

Mettler-Toledo Instruments  
(Shanghai) Co. Ltd.  
589 Gui Ping Road  
Cao He Jing  
CN-200233 Shanghai  
Phone +86 21 64 85 04 35  
Fax +86 21 64 85 33 51  
e-mail mtcs@public.sta.net.cn

#### Croatia

Mettler-Toledo d.o.o.  
Mandlova 3  
HR-10000 Zagreb  
Phone +385 1 292 06 33  
Fax +385 1 295 81 40  
e-mail mt.zagreb@mt.com

#### Czech Republic

Mettler-Toledo s.r.o.  
Trebohosticka 2283/2  
CZ-100 00 Praha 10  
Phone +420 2 72 123 150  
Fax +420 2 72 123 170  
e-mail sales.mtcz@mt.com

#### Denmark

Mettler-Toledo A/S  
Naverland 8  
DK-2600 Glostrup  
Phone +45 43 27 08 00  
Fax +45 43 27 08 28  
e-mail info.mtdk@mt.com

#### France

Mettler-Toledo  
Analyse Industrielle S.A.S.  
30, Boulevard de Douaumont  
F-75017 Paris  
Phone +33 1 47 37 06 00  
Fax +33 1 47 37 46 26  
e-mail mipro-f@mt.com

#### Germany

Mettler-Toledo GmbH  
Prozeßanalytik  
Ockerweg 3  
D-35396 Gießen  
Phone +49 641 507 444  
Fax +49 641 507 397  
e-mail prozess@mt.com

#### Great Britain

Mettler-Toledo LTD  
64 Boston Road, Beaumont Leys  
GB-Leicester LE4 1AW  
Phone +44 116 235 7070  
Fax +44 116 236 5500  
e-mail enquire.mtuk@mt.com

#### Hungary

Mettler-Toledo Kereskedelmi KFT  
Teve u. 41  
HU-1139 Budapest  
Phone +36 1 288 40 40  
Fax +36 1 288 40 50  
e-mail mthu@axelero.hu

#### India

Mettler-Toledo India Private Limited  
Amar Hill, Saki Vihar Road  
Powai  
IN-400 072 Mumbai  
Phone +91 22 2857 0808  
Fax +91 22 2857 5071  
e-mail sales.mtin@mt.com

#### Italy

Mettler-Toledo S.p.A.  
Via Vialba 42  
I-20026 Novate Milanese  
Phone +39 02 333 321  
Fax +39 02 356 2973  
e-mail customercare.italia@mt.com

#### Japan

Mettler-Toledo K.K.  
Process Division  
6F Ikenohata Nisshoku Bldg.  
2-9-7, Ikenohata  
Taito-ku  
JP-110-0008 Tokyo  
Phone +81 3 5815 5606  
Fax +81 3 5815 5626  
e-mail helpdesk.ing.jp@mt.com

#### Malaysia

Mettler-Toledo (M) Sdn Bhd  
Bangunan Electroscon Holding, U 1-01  
Lot 8 Jalan Astaka U8/84  
Seksyen U8, Bukit Jelutong  
MY-40150 Shah Alam Selangor  
Phone +60 3 78 44 58 88  
Fax +60 3 78 45 87 73  
e-mail MT-MY.CustomerSupport@mt.com

#### Mexico

Mettler-Toledo S.A. de C.V.  
Ejercito Nacional #340  
Col. Chapultepec Morales  
Del. Miguel Hidalgo  
MX-11570 México D.F.  
Phone +52 55 1946 0900  
e-mail ventas.lab@mt.com

#### Poland

Mettler-Toledo (Poland) Sp.z.o.o.  
ul. Poleczki 21  
PL-02-822 Warszawa  
Phone +48 22 545 06 80  
Fax +48 22 545 06 88  
e-mail polska@mt.com

#### Russia

Mettler-Toledo Vostok ZAO  
Sretenskij Bulvar 6/1  
Office 6  
RU-101000 Moscow  
Phone +7 495 621 56 66  
Fax +7 495 621 63 53  
e-mail inforus@mt.com

#### Singapore

Mettler-Toledo (S) Pte. Ltd.  
Block 28  
Ayer Rajah Crescent #05-01  
SG-139959 Singapore  
Phone +65 6890 00 11  
Fax +65 6890 00 12  
+65 6890 00 13  
e-mail precision@mt.com

#### Slovakia

Mettler-Toledo s.r.o.  
Hattalova 12/A  
SK-831 03 Bratislava  
Phone +421 2 4444 12 20-2  
Fax +421 2 4444 12 23  
e-mail predaj@mt.com

#### Slovenia

Mettler-Toledo d.o.o.  
Pot heroja Trtnika 26  
SI-1261 Ljubljana-Dobrunje  
Phone +386 1 530 80 50  
Fax +386 1 562 17 89  
e-mail keith.racman@mt.com

#### South Korea

Mettler-Toledo (Korea) Ltd.  
Yeil Building 1 & 2 F  
124-5, YangJe-Dong  
SeCho-Ku  
KR-137-130 Seoul  
Phone +82 2 3498 3500  
Fax +82 2 3498 3555  
e-mail Sales\_MTKR@mt.com

#### Spain

Mettler-Toledo S.A.E.  
C/Miguel Hernández, 69-71  
ES-08908 L'Hospitalet de Llobregat  
(Barcelona)  
Phone +34 902 32 00 23  
Fax +34 902 32 00 24  
e-mail mtemkt@mt.com

#### Sweden

Mettler-Toledo AB  
Virkesvägen 10  
Box 92161  
SE-12008 Stockholm  
Phone +46 8 702 50 00  
Fax +46 8 642 45 62  
e-mail sales.mts@mt.com

#### Switzerland

Mettler-Toledo (Schweiz) GmbH  
Im Langacher  
Postfach  
CH-8606 Greifensee  
Phone +41 44 944 45 45  
Fax +41 44 944 45 10  
e-mail salesola.ch@mt.com

#### Thailand

Mettler-Toledo (Thailand) Ltd.  
272 Soi Soonvijai 4  
Rama 9 Rd., Bangkok  
Huay Kwang  
TH-10320 Bangkok  
Phone +66 2 723 03 00  
Fax +66 2 719 64 79  
e-mail MT-TH.CustomerSupport@mt.com

#### USA/Canada

METTLER TOLEDO  
Process Analytics  
900 Middlesex Turnpike, Bld. 8  
Billerica, MA 01821, USA  
Phone +1 781 301 8800  
Freephone +1 800 352 8763  
Fax +1 781 271 0681  
e-mail mtprou@mt.com



Management System  
certified according to  
ISO 9001 / ISO 14001

Subject to technical changes.  
© Mettler-Toledo AG, 05/2015  
Printed in Switzerland. 52 002 969

Mettler-Toledo AG, Process Analytics  
Im Hackacker 15, CH-8902 Urdorf  
Phone +41 44 729 62 11, Fax +41 44 729 66 36

[www.mt.com](http://www.mt.com)