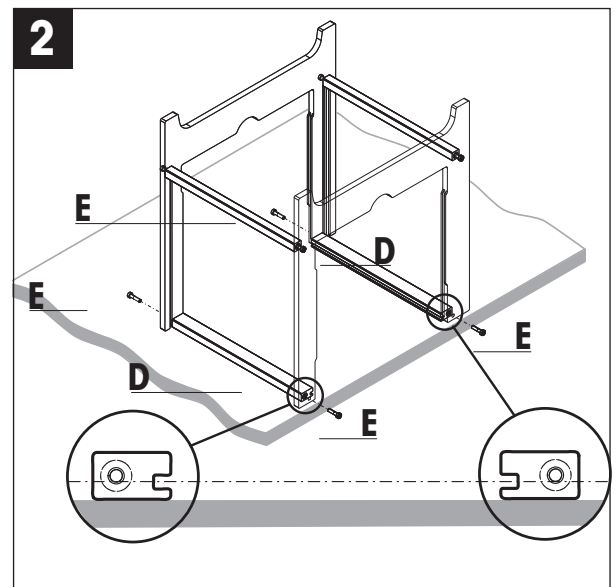
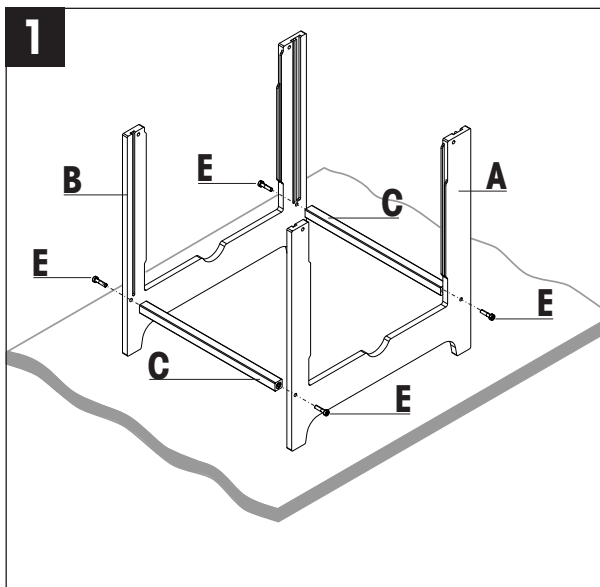
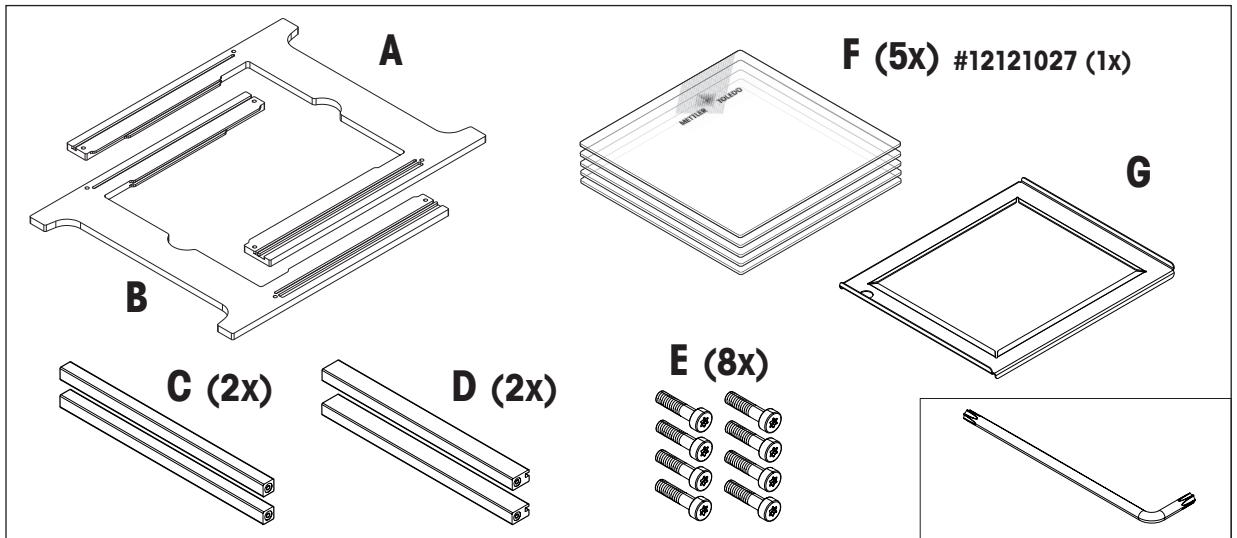
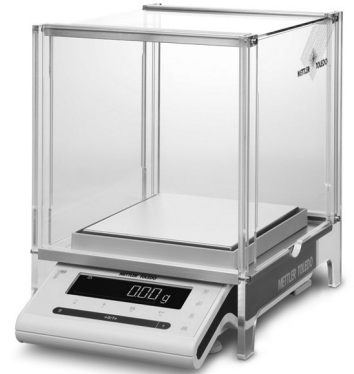
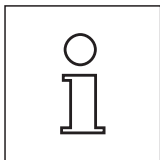
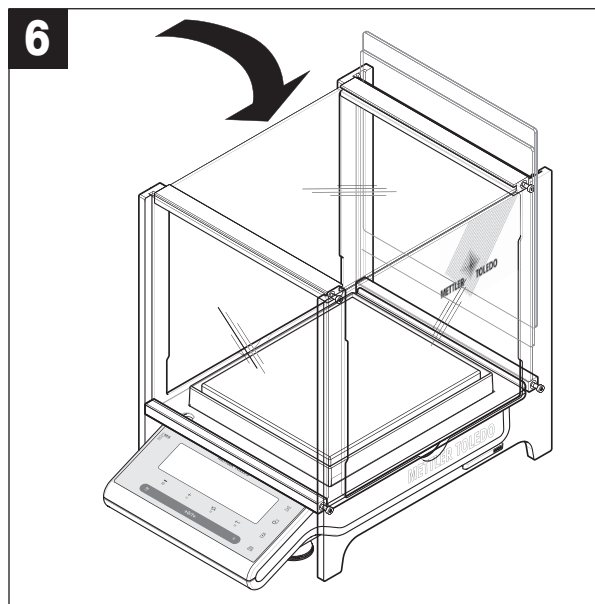
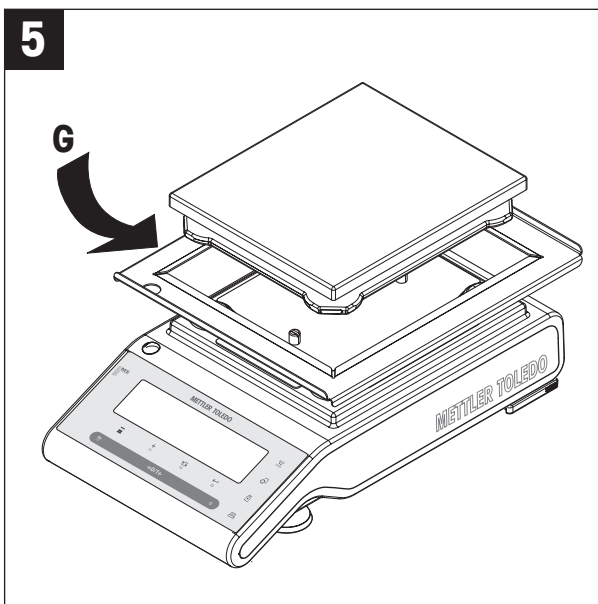
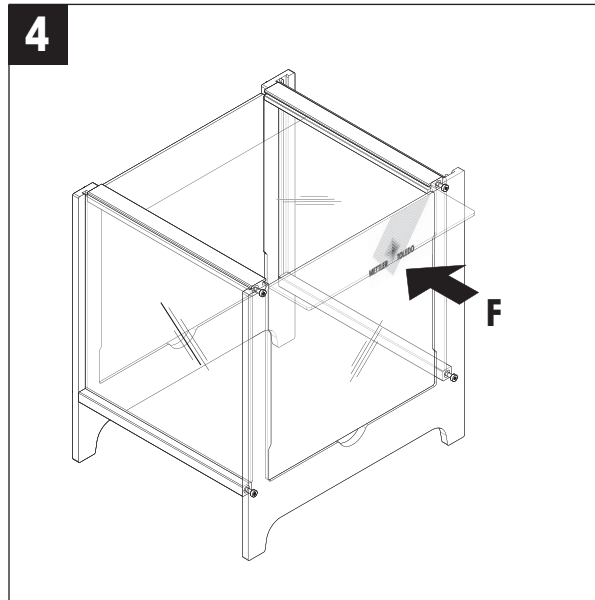
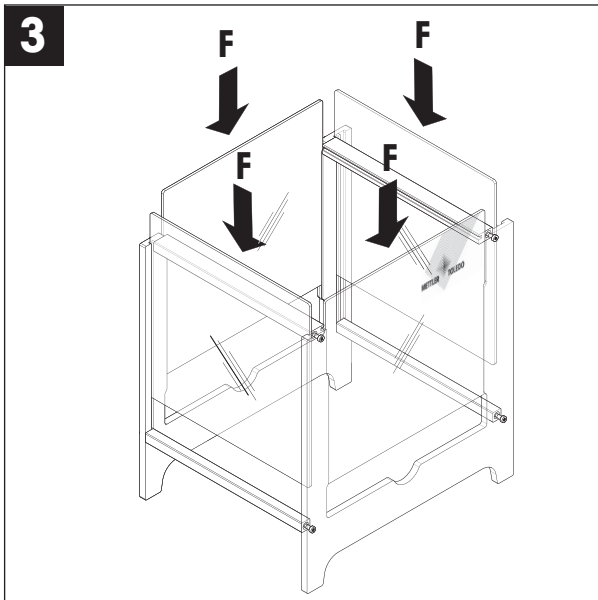


Draft Shield MS-DS-21 for NewClassic MS-S Balances



METTLER TOLEDO



Acrylic Care, Parts A and B

Cleaning of acrylic glass (PMMA): Wash with a mild soap or detergent and lukewarm water solution. Use a clean soft cloth or sponge and as much solution as possible. Rinse well! Dry by blotting with a damp cloth or chamois.

DO NOT USE: Window cleaning fluids, scouring compounds, disinfectants, gritty cloths, leaded or ethyl gasoline or strong solvents such as alcohol, ammonia, acetone, chloride, carbon tetra chloride etc..

www.mt.com

For more information

Mettler-Toledo AG
 Laboratory & Weighing Technologies
 CH-8606 Greifensee, Switzerland
 Phone +41 44 944 22 11
 Fax +41 44 944 30 60

Subject to technical changes
 © Mettler-Toledo AG 07/2012
 30006576A en

